

US00D513917S

(12) **United States Design Patent**
Edrington

(10) **Patent No.:** **US D513,917 S**

(45) **Date of Patent:** **** Jan. 31, 2006**

(54) **BEVERAGE BREWER**

(75) **Inventor:** **Michael J. Edrington**, Louisville, KY
(US)

(73) **Assignee:** **Grindmaster Corporation**, Louisville,
KY (US)

(**) **Term:** **14 Years**

(21) **Appl. No.:** **29/200,709**

(22) **Filed:** **Mar. 3, 2004**

(51) **LOC (8) Cl.** **07-01**

(52) **U.S. Cl.** **D7/309; D7/310; D7/311**

(58) **Field of Classification Search** **D7/300,**
D7/309, 310, 311, 305, 306; 368/47; 222/189.1,
222/144, 129.1-129; 219/481, 433, 432;
62/342; 426/524; 99/281, 300, 307, 305,
99/287, 323.3, 280, 279, 295, 289 R
See application file for complete search history.

(56) **References Cited**

U.S. PATENT DOCUMENTS

D350,667 S	*	9/1994	Saltet	D7/309
D376,950 S	*	12/1996	Saltet	D7/309
D377,290 S	*	1/1997	Saltet	D7/309

D418,000 S	*	12/1999	Mork et al.	D7/309
D419,821 S	*	2/2000	Powell et al.	D7/309
D440,811 S	*	4/2001	Littmann et al.	D7/309
D449,955 S	*	11/2001	Leverrier	D7/309
D450,520 S	*	11/2001	Saltet	D7/309
D485,728 S	*	1/2004	Sham et al.	D7/309
D495,190 S	*	8/2004	Picozza et al.	D7/309

* cited by examiner

Primary Examiner—M. N. Pandozzi

(74) *Attorney, Agent, or Firm*—Stites & Harbison, PLLC;
David W. Nagle, Jr.

(57) **CLAIM**

The ornamental design for a beverage brewer, as shown and described.

DESCRIPTION

FIG. 1 is a front view of a beverage brewer showing my new design;

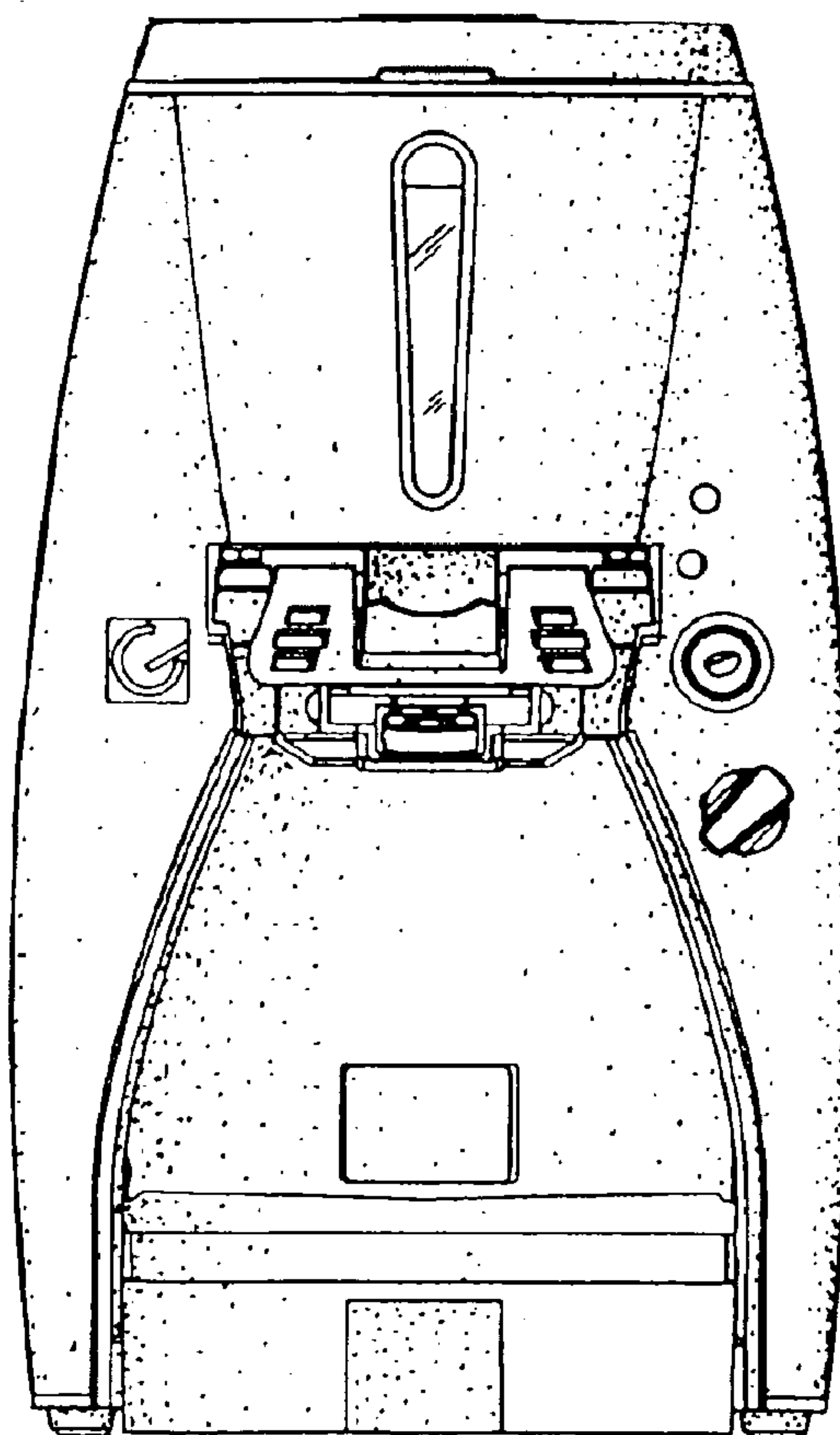
FIG. 2 is a right side view thereof, the left side being a mirror image of the right side;

FIG. 3 is a rear view thereof;

FIG. 4 is a top view thereof; and,

FIG. 5 is a bottom view thereof.

1 Claim, 3 Drawing Sheets



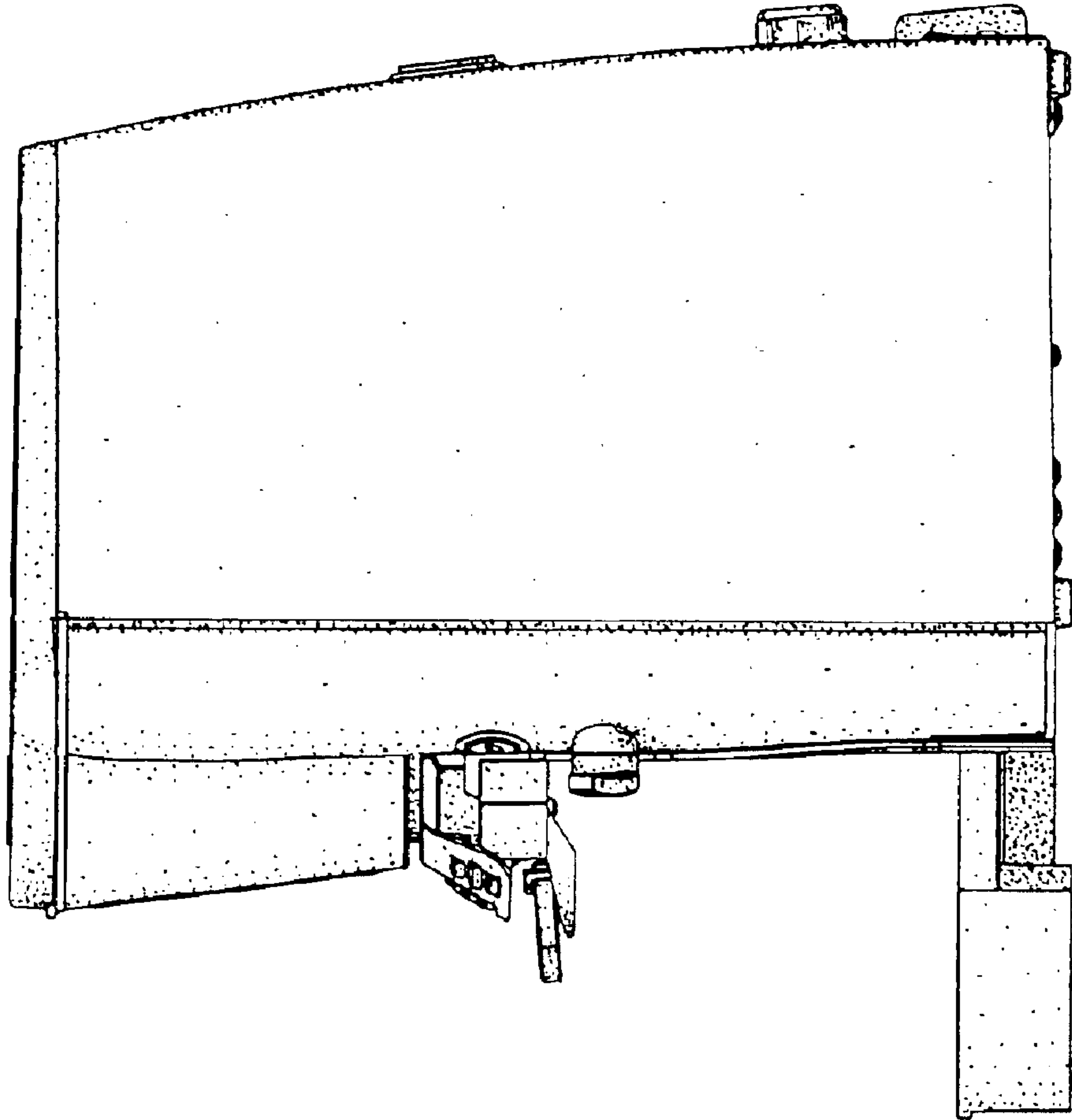


FIG. 2

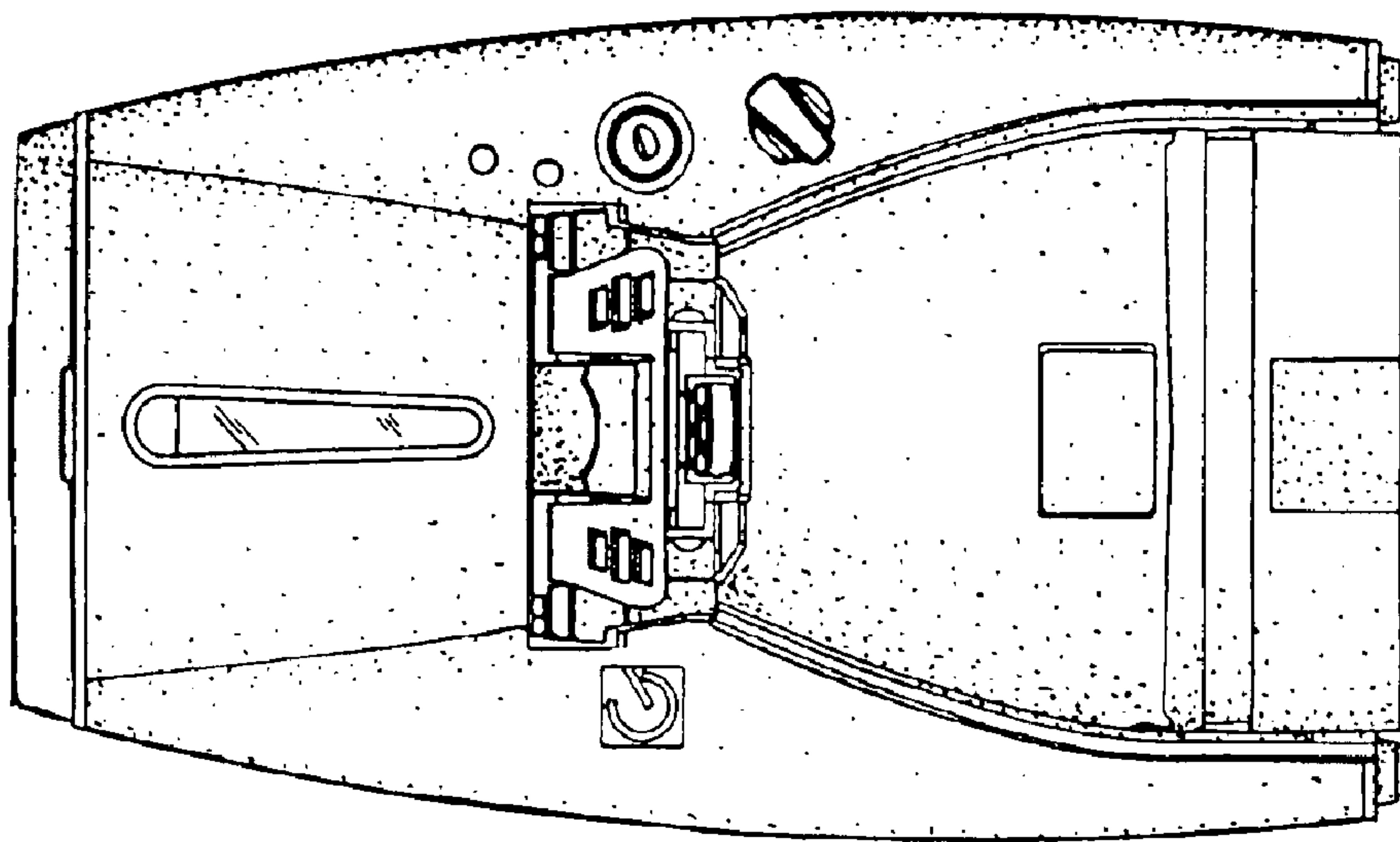


FIG. 1

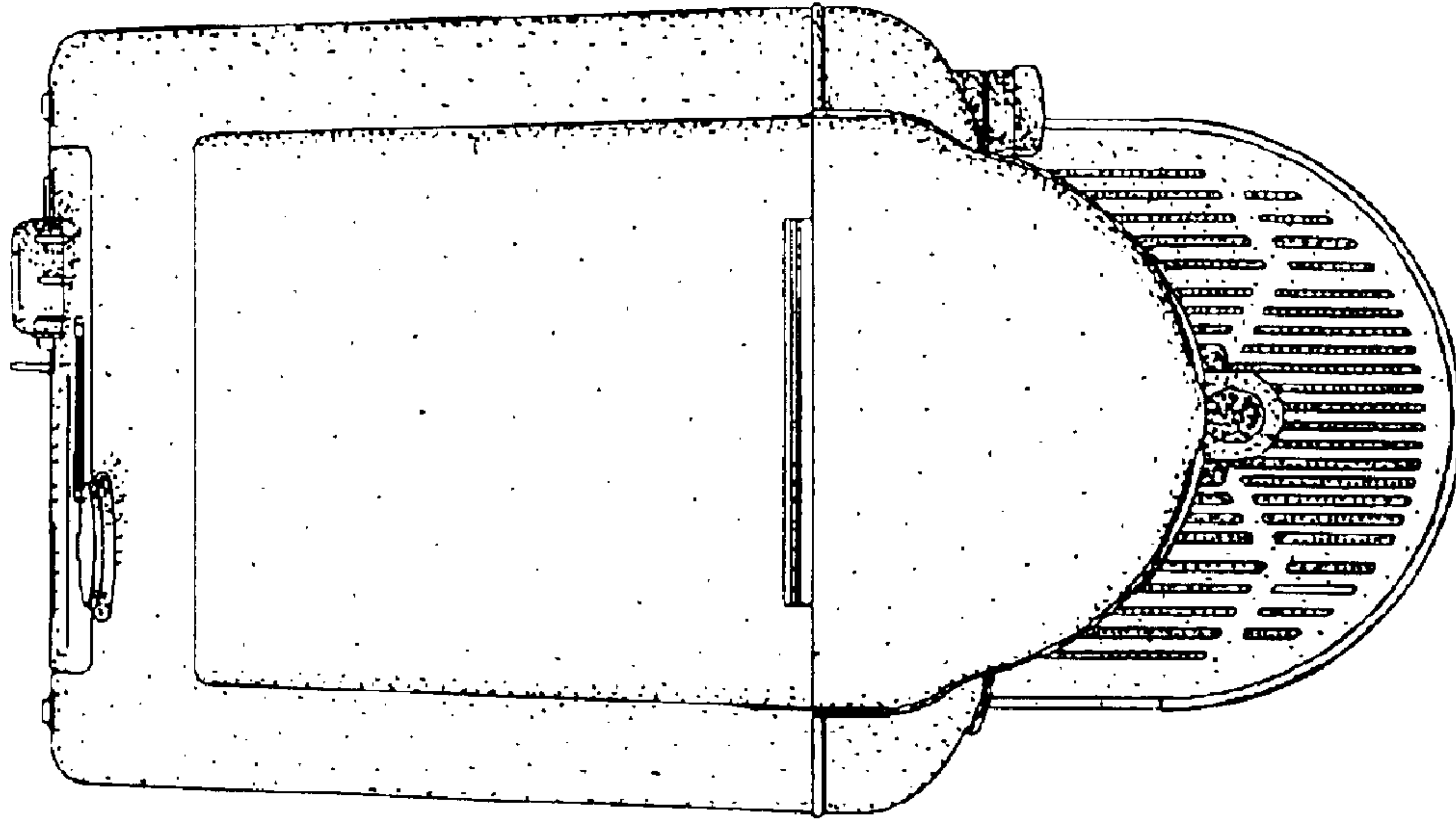


FIG. 4

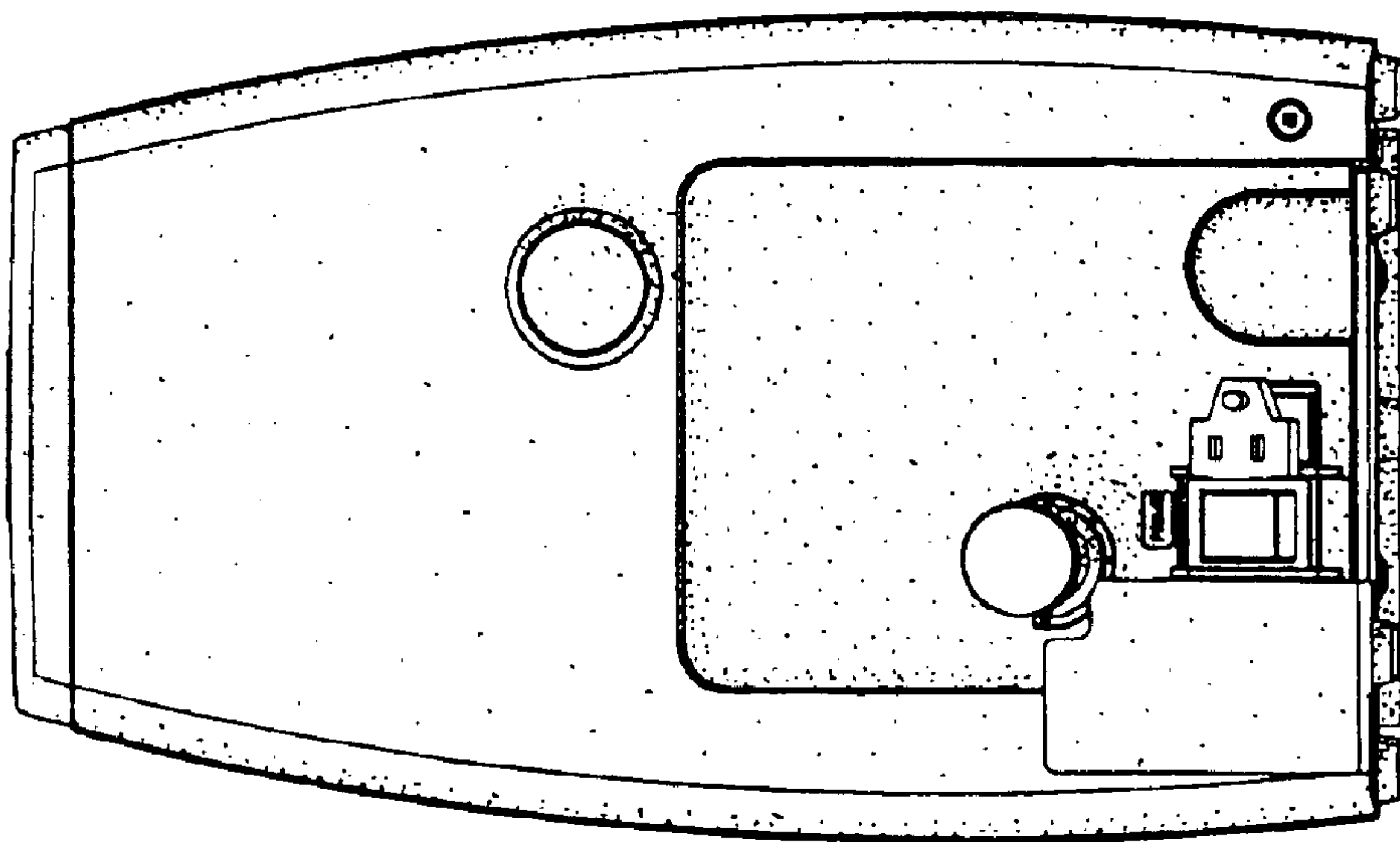


FIG. 3

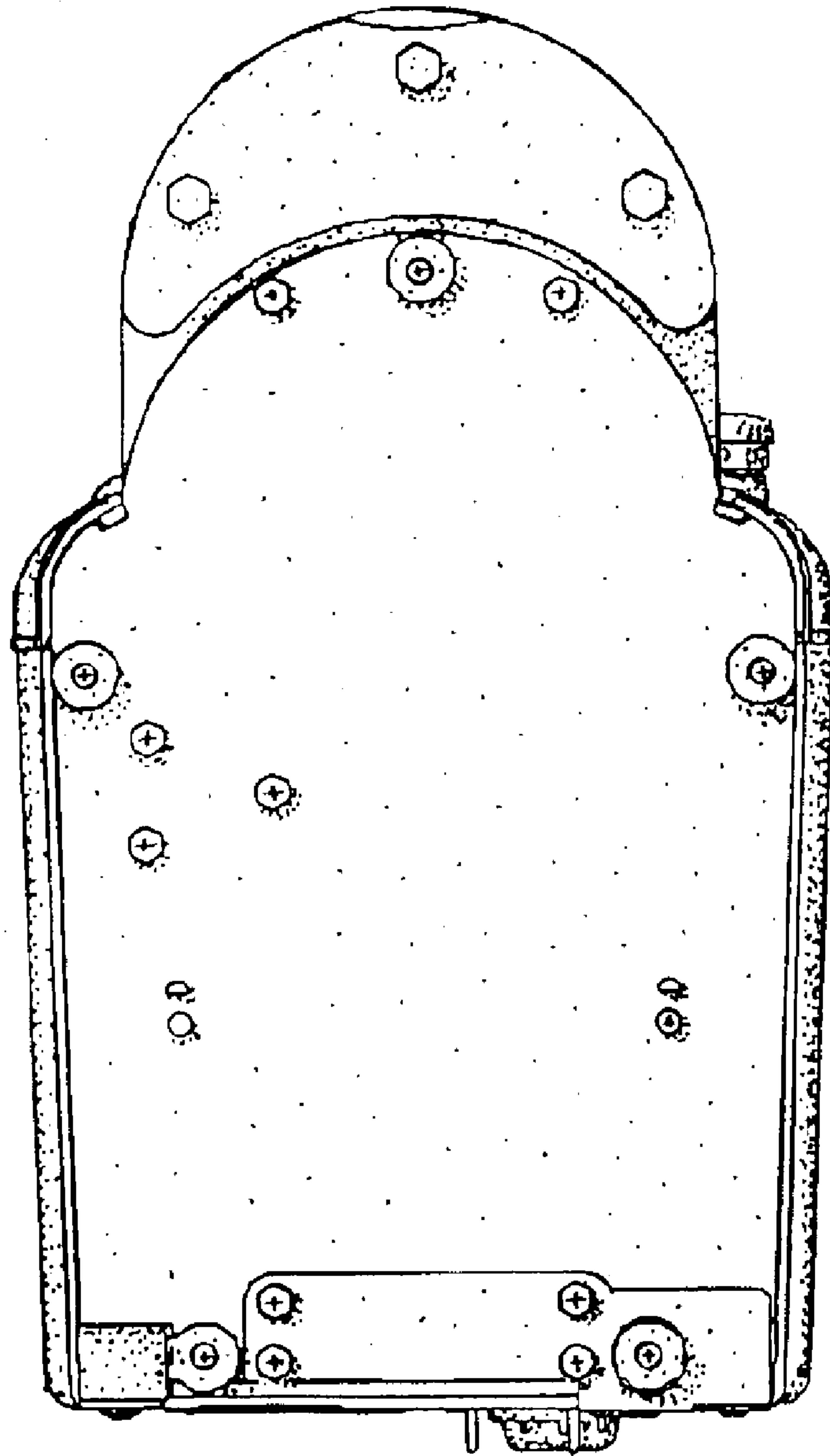


FIG. 5