



US00D513916S

(12) **United States Design Patent**
Namee

(10) **Patent No.:** **US D513,916 S**
(45) **Date of Patent:** **** Jan. 31, 2006**

(54) **SHAKER CUP**
(75) Inventor: **Joe Namee**, Round Rock, TX (US)
(73) Assignee: **Namee Manufacturing and Development**, Cedar Park, TX (US)
(**) Term: **14 Years**

2,752,971 A * 7/1956 Tupper 220/4.03
2,754,866 A * 7/1956 Coltman 220/254.3
3,341,089 A * 9/1967 Pearsall 222/459
3,820,692 A * 6/1974 Swett et al. 222/547
D233,116 S * 10/1974 Swett et al. D7/300.1
4,974,741 A * 12/1990 Gustafson et al. 220/739
5,531,353 A * 7/1996 Ward et al. 220/729
D421,547 S * 3/2000 Demers D7/510
6,409,038 B1 * 6/2002 Karp 220/212
D482,936 S * 12/2003 Miller et al. D7/629

(21) Appl. No.: **29/212,118**
(22) Filed: **Aug. 26, 2004**

* cited by examiner

(51) **LOC (8) Cl.** **07-01**
(52) **U.S. Cl.** **D7/300.1; D7/510**
(58) **Field of Classification Search** D7/629,
D7/300.1, 510, 511, 509, 523, 321; D9/447,
D9/446, 503, 509, 515, 523, 525, 445, 746;
366/130; 222/547, 459; 220/212, 739, 729,
220/714, 254.3, 592.16, 4.03, 568, 23.86;
206/515, 520; 215/12.1, 11.1, 321; 99/508
See application file for complete search history.

Primary Examiner—M. N. Pandozzi
(74) *Attorney, Agent, or Firm*—William D. Wiese

(57) **CLAIM**

The ornamental design of the shaker cup, as shown and described.

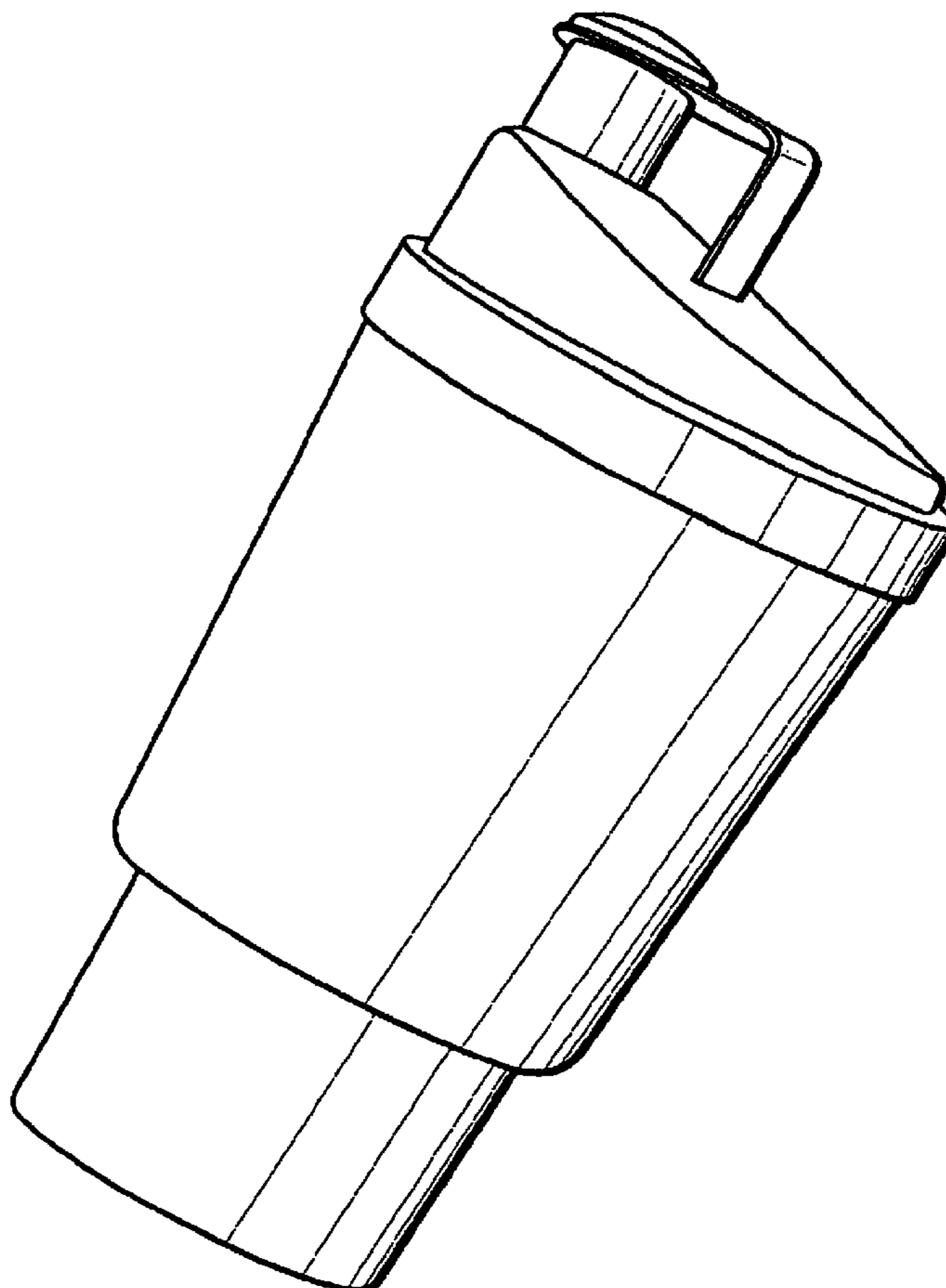
DESCRIPTION

FIG. 1 is a side perspective view of a shaker cup showing my new design;
FIG. 2 is an opposite side perspective view thereof;
FIG. 3 is an exploded perspective view thereof; and,
FIG. 4 is a sectional view taken along line 4—4 of FIG. 2.

(56) **References Cited**
U.S. PATENT DOCUMENTS

302,484 A * 7/1884 Haslage 220/568
2,387,151 A * 10/1945 Jacobs 220/568

1 Claim, 4 Drawing Sheets



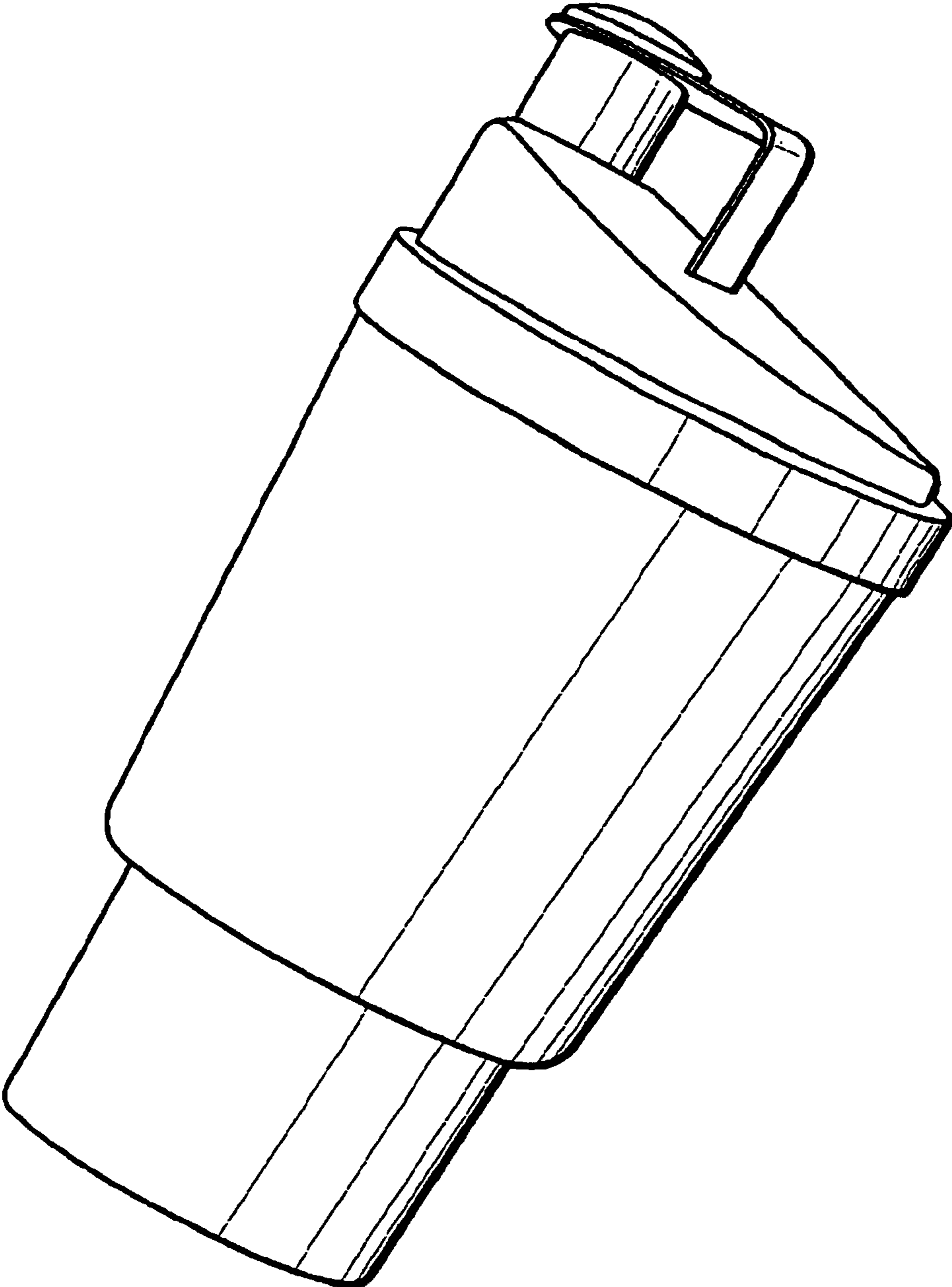


FIG. 1

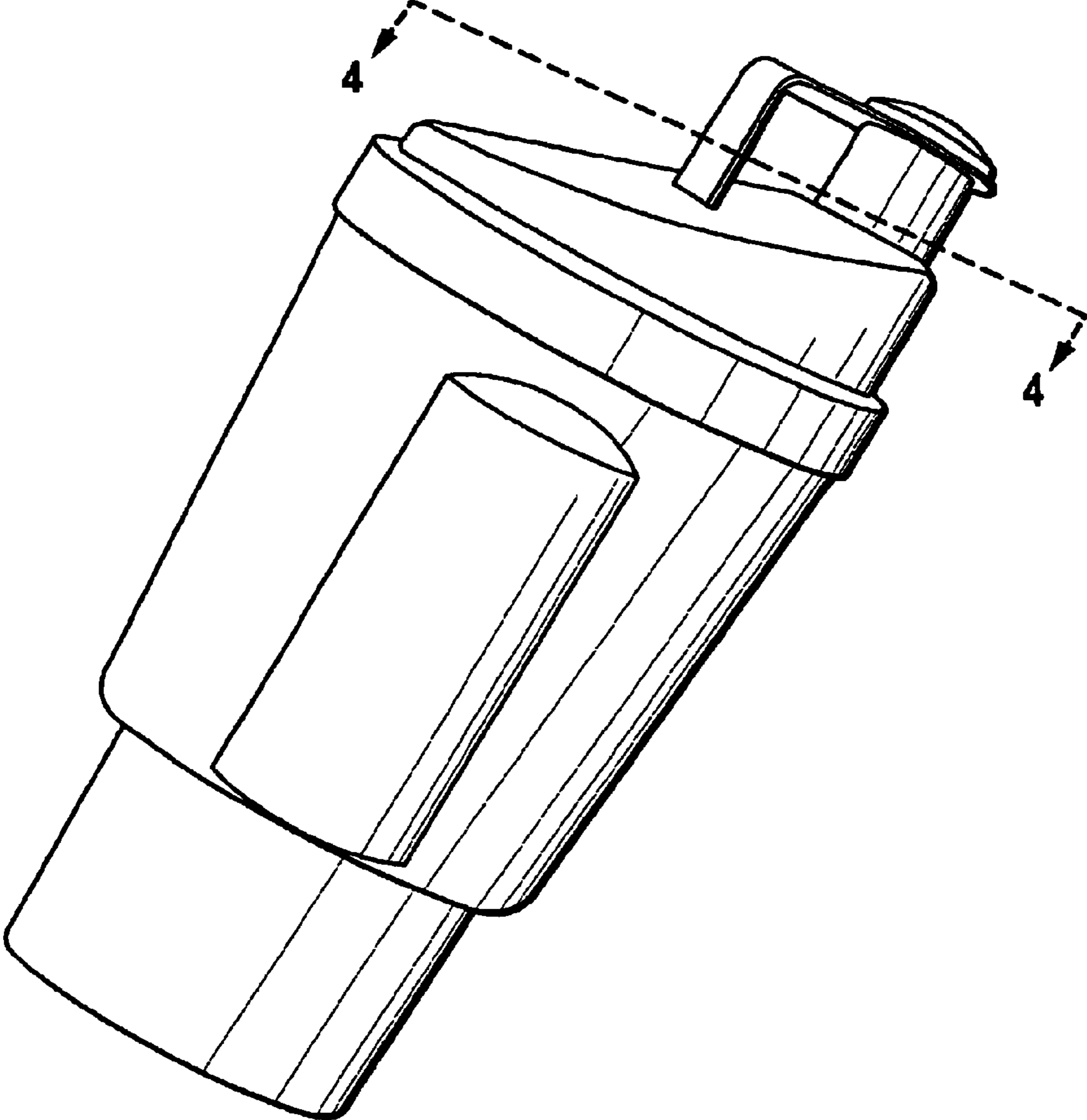


FIG. 2

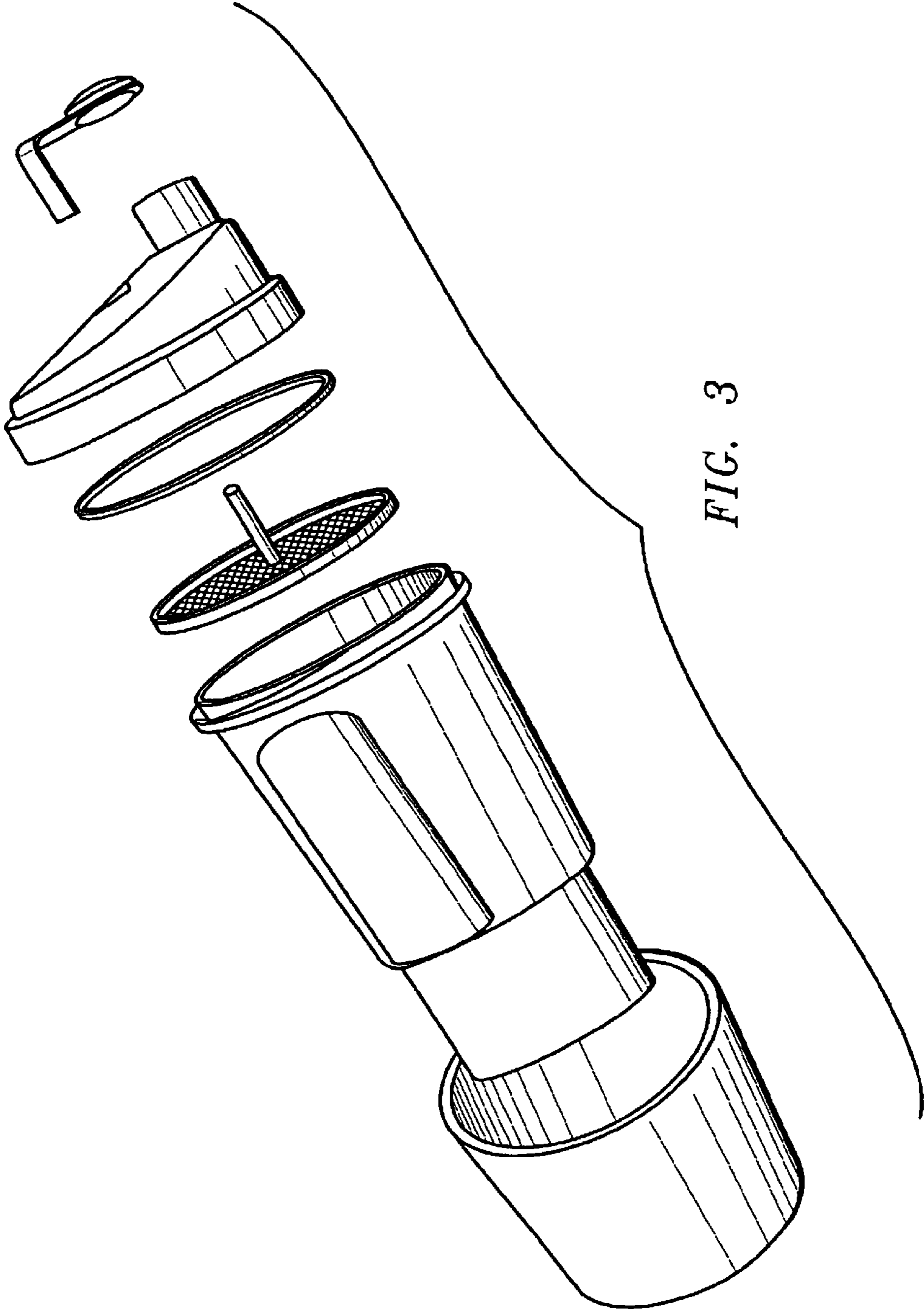


FIG. 3

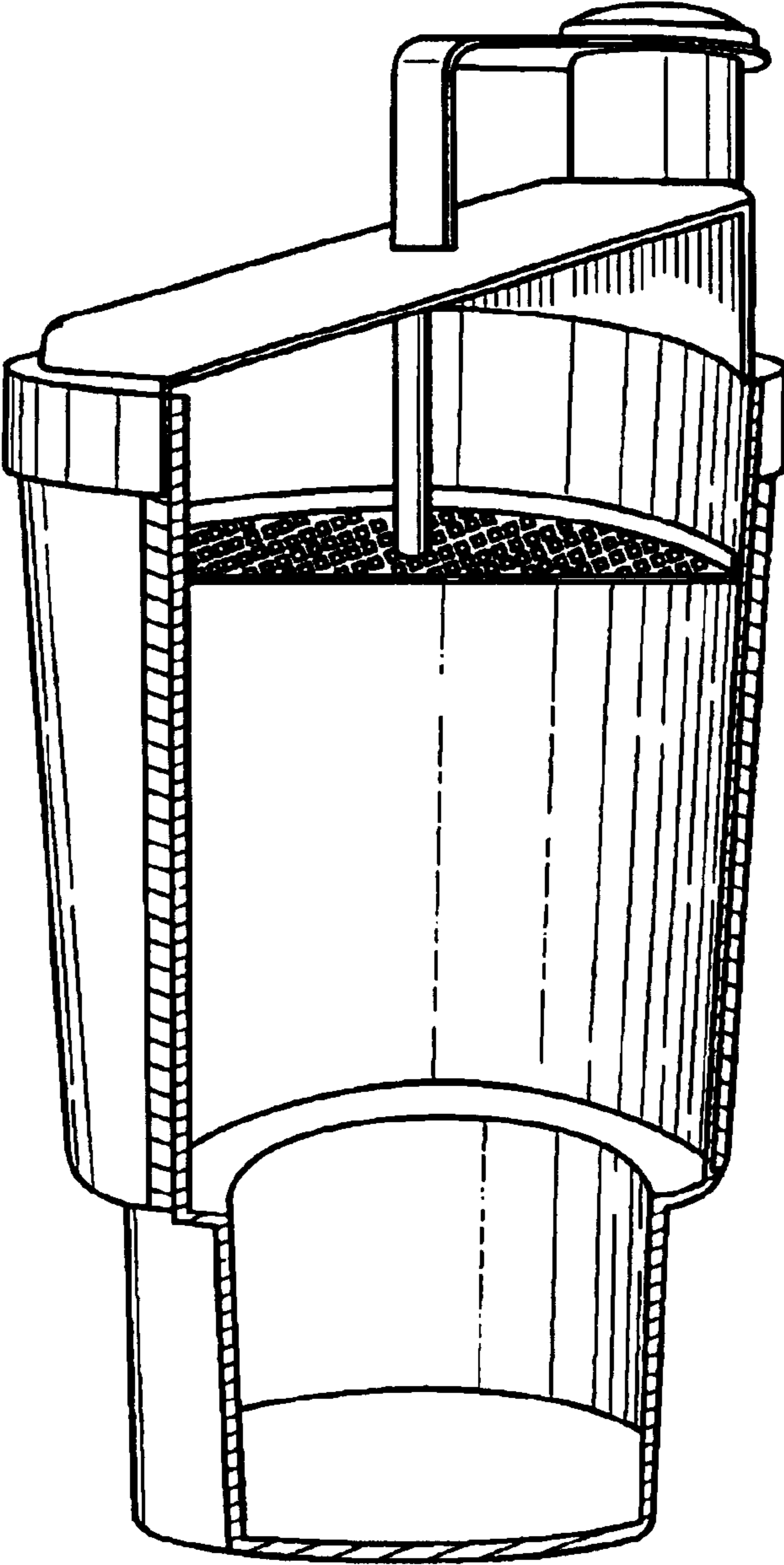


FIG. 4