



US00D513915S

(12) **United States Design Patent**
Jacklin

(10) **Patent No.:** **US D513,915 S**
(45) **Date of Patent:** **** Jan. 31, 2006**

(54) **INFLATABLE MATTRESS WITH HEADREST**

(75) **Inventor:** **Steven Jacklin**, St Columb Major
Cornwall (GB)

(73) **Assignee:** **Spine Master Toys Far East Limited**,
Kowloon (HK)

(**) **Term:** **14 Years**

(21) **Appl. No.:** **29/211,058**

(22) **Filed:** **Aug. 11, 2004**

(30) **Foreign Application Priority Data**

Jul. 7, 2004 (GB) 3017962

(51) **LOC (8) Cl.** **06-09**

(52) **U.S. Cl.** **D6/604; D6/605; D21/809**

(58) **Field of Classification Search** D6/595,
D6/596, 604, 605, 601, 361; D21/803, 809;
5/706-713, 690, 691, 731, 733, 737, 740,
5/630-633, 655.3, 652, 654, 657, 655.5,
5/907, 655.9; D12/316; 441/66, 129, 130,
441/132

See application file for complete search history.

(56) **References Cited**

U.S. PATENT DOCUMENTS

2,369,736 A * 2/1945 Hurt 5/708
D187,313 S * 2/1960 Denyer D21/803
D220,953 S * 6/1971 Des Pres D6/361
D300,694 S * 4/1989 Krok D6/333

D308,403 S * 6/1990 LaForce, Jr. D21/809
5,233,705 A * 8/1993 Coleman et al. 4/496
5,815,864 A * 10/1998 Sloop 5/706
D406,870 S * 3/1999 Bauman D21/803
D501,112 S * 1/2005 Kasatshko et al. D6/604

* cited by examiner

Primary Examiner—Lucy Lieberman

(74) *Attorney, Agent, or Firm*—Cohen, Pontani, Lieberman
& Pavane

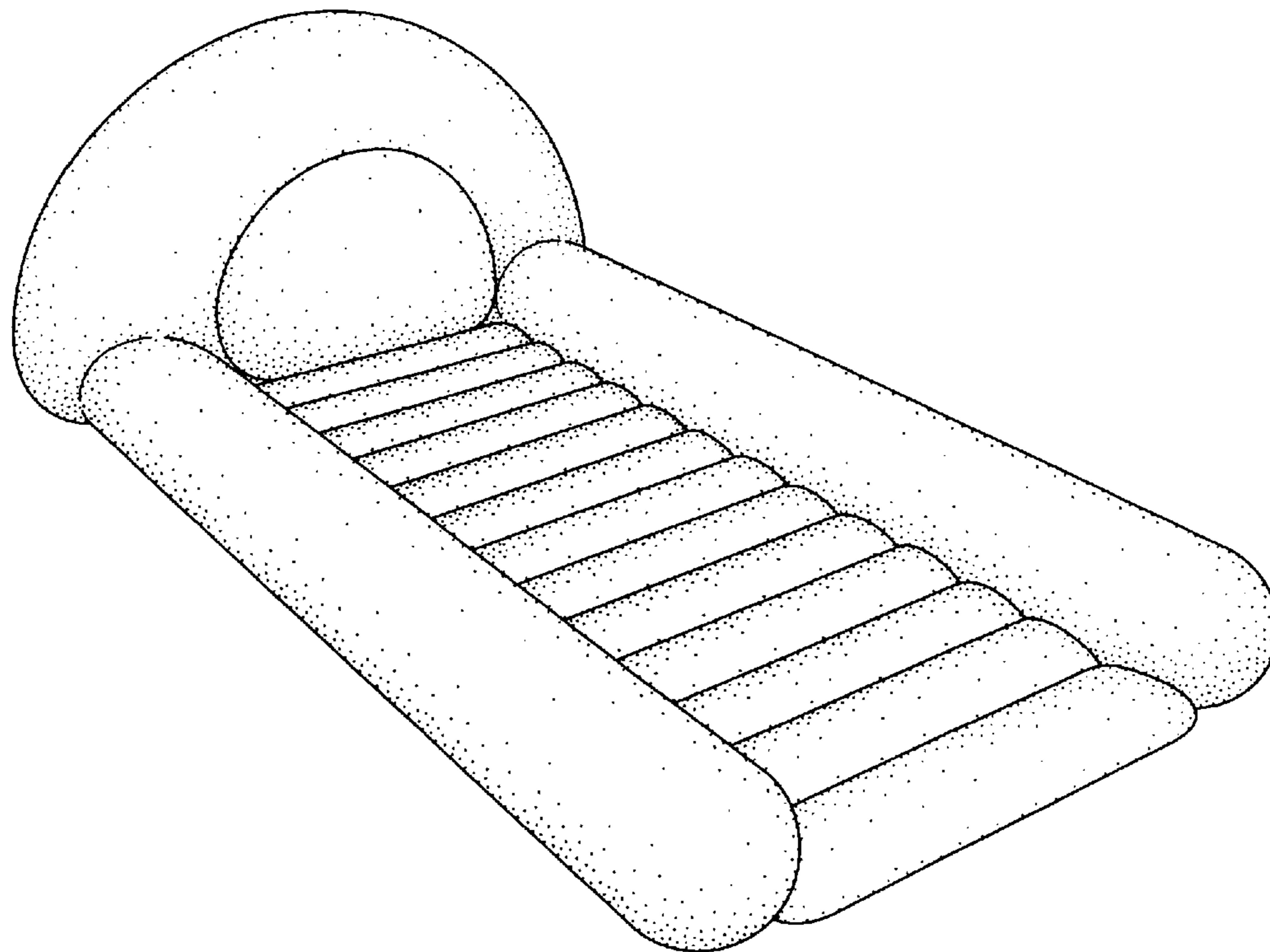
(57) **CLAIM**

The ornamental design for an inflatable mattress with headrest, as shown and described.

DESCRIPTION

FIG. 1 is a front perspective view of an inflatable mattress with headrest showing my new design;
FIG. 2 is a rear perspective view of the inflatable mattress with headrest shown in FIG. 1;
FIG. 3 is a right side view of the inflatable mattress with headrest shown in FIG. 1;
FIG. 4 is a top view of the inflatable mattress with headrest shown in FIG. 1;
FIG. 5 is a rear view of the inflatable mattress with headrest shown in FIG. 1;
FIG. 6 is a front view of the inflatable mattress with headrest shown in FIG. 1; and,
FIG. 7 is a bottom view of the inflatable mattress with headrest shown in FIG. 1.

1 Claim, 5 Drawing Sheets



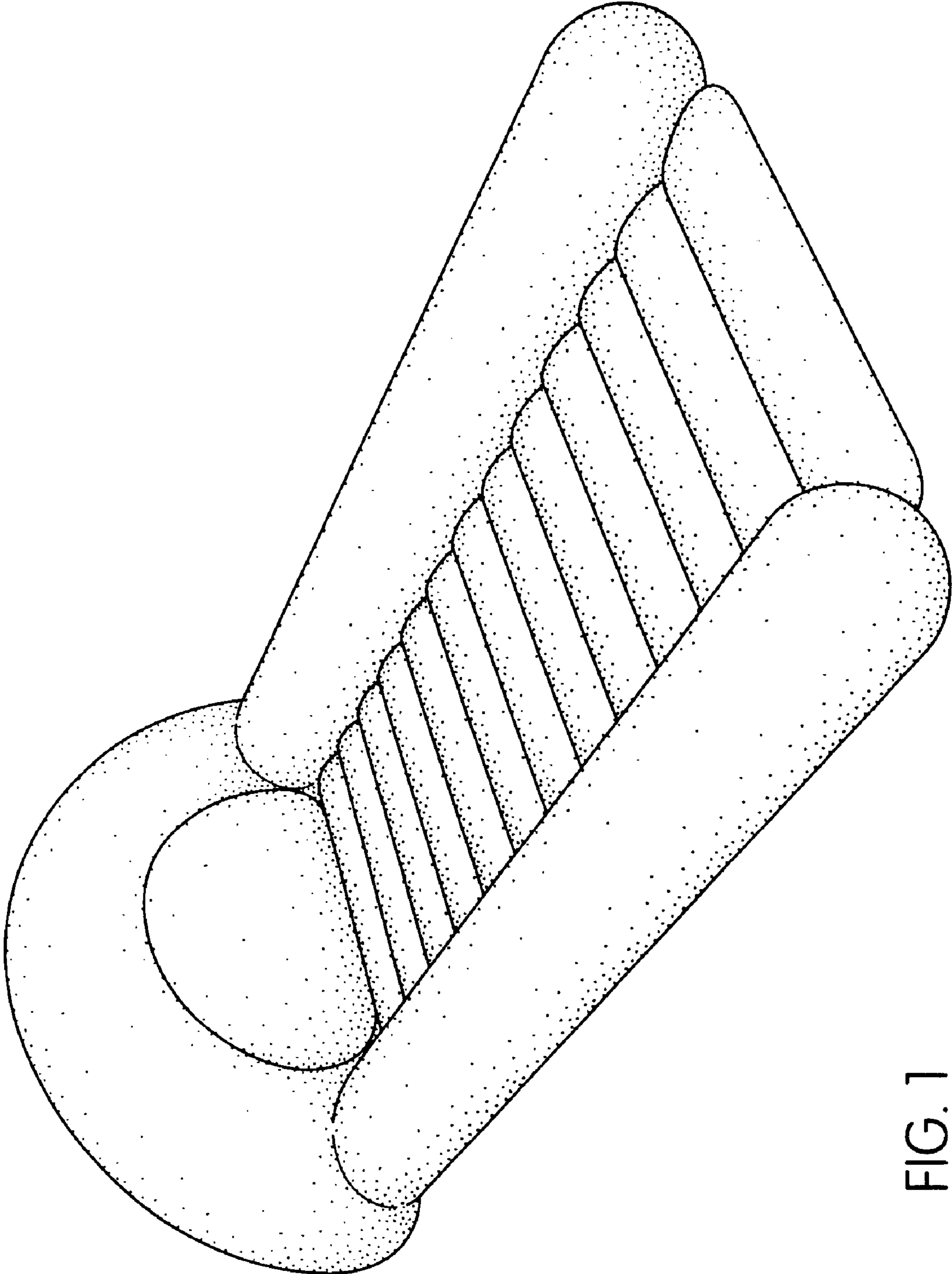


FIG. 1

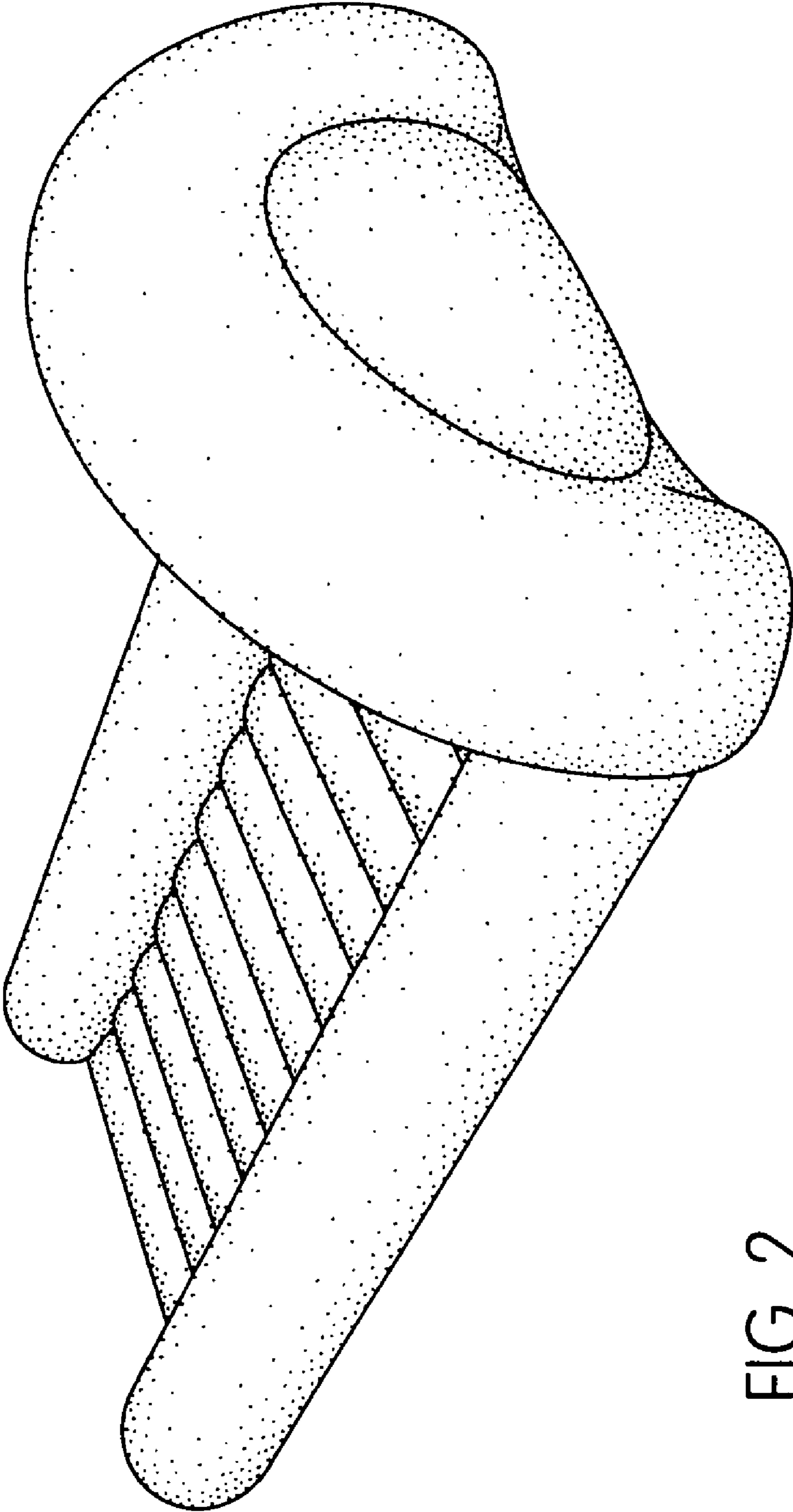


FIG. 2

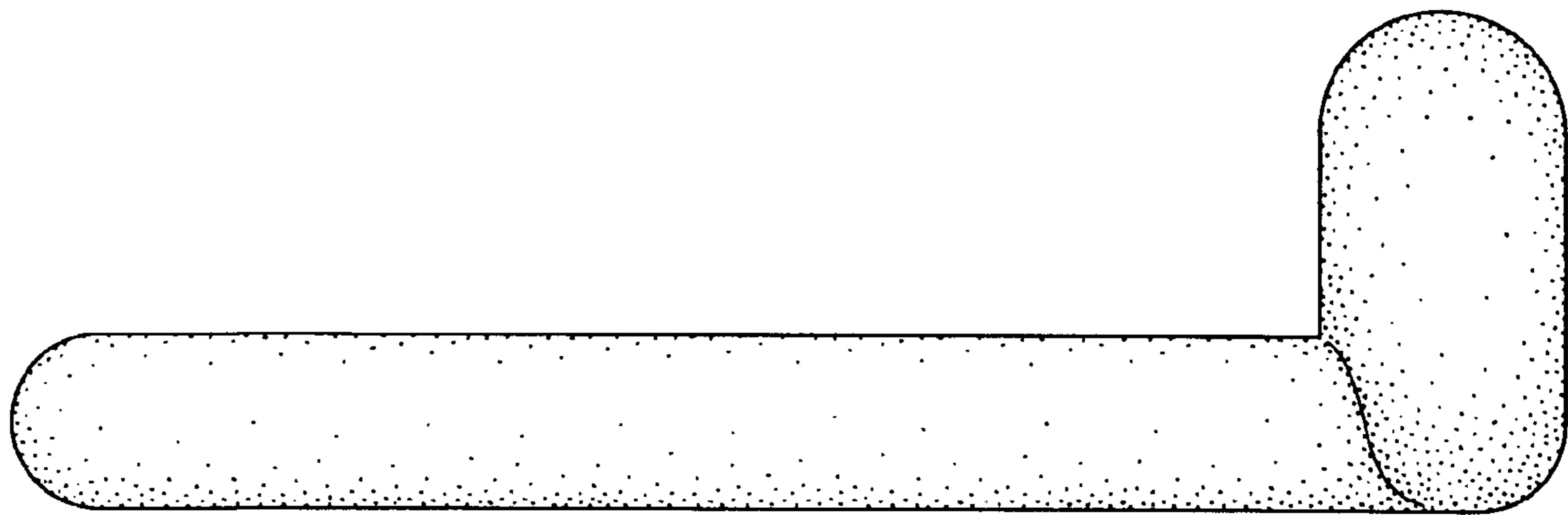


FIG. 3

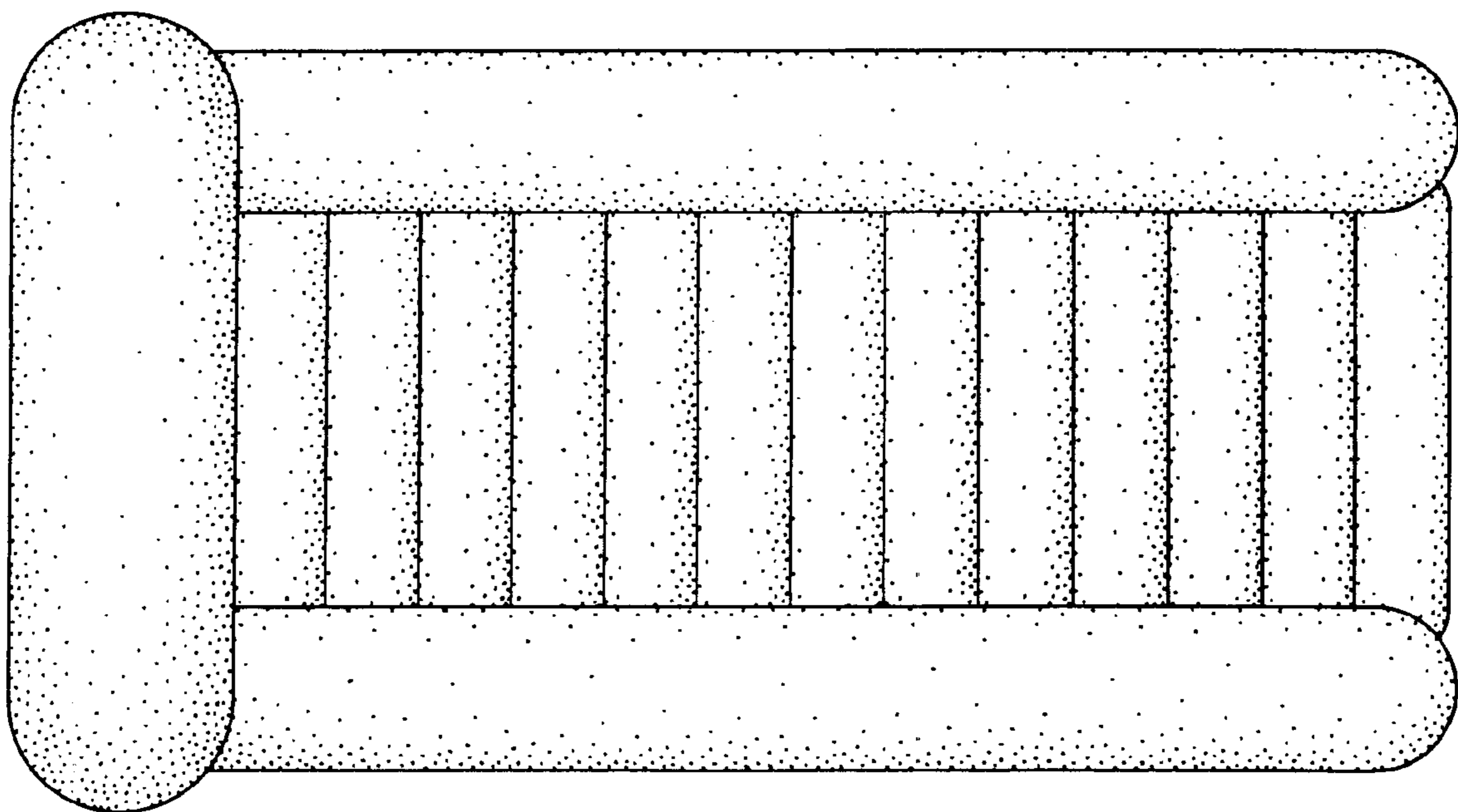


FIG. 4

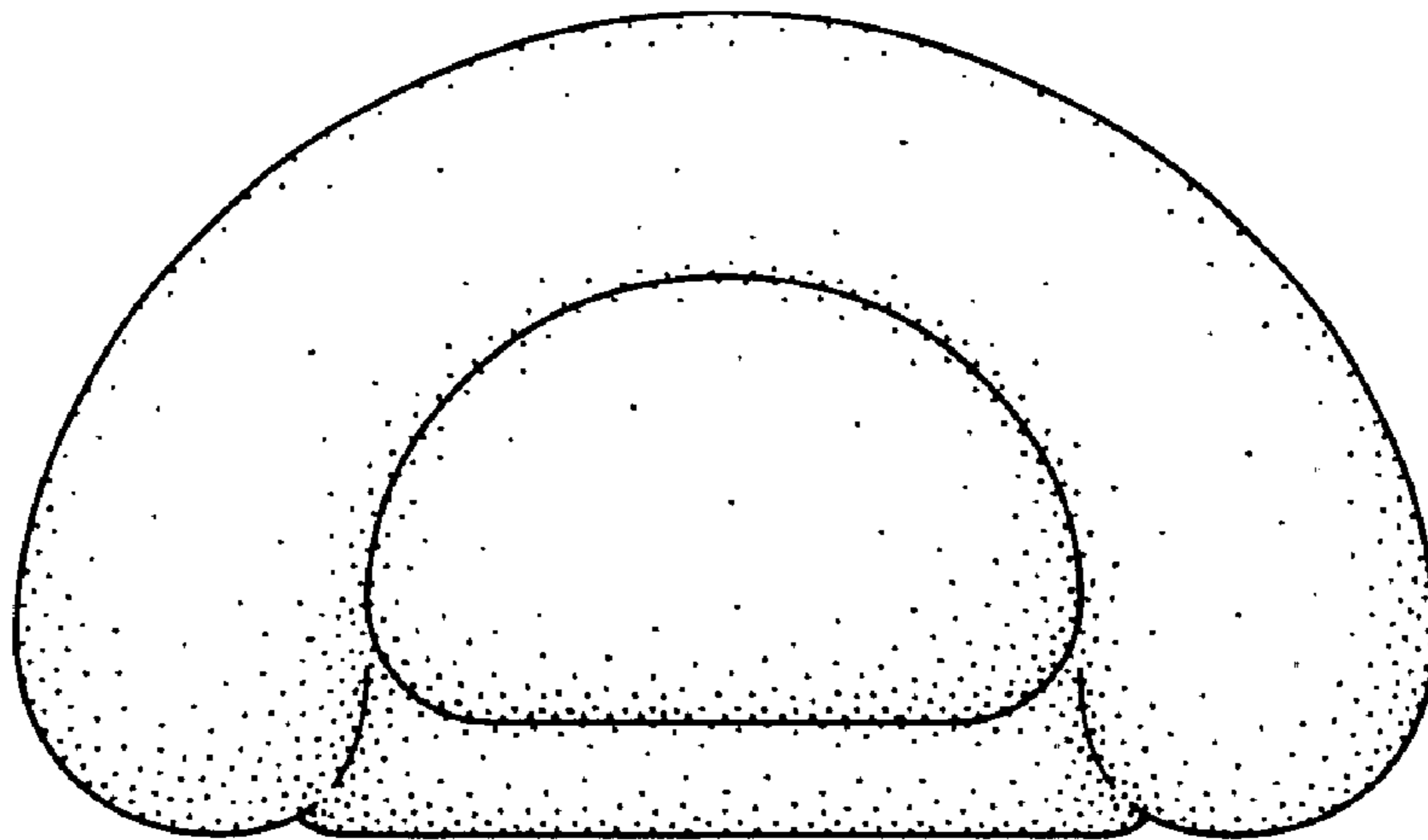


FIG. 5

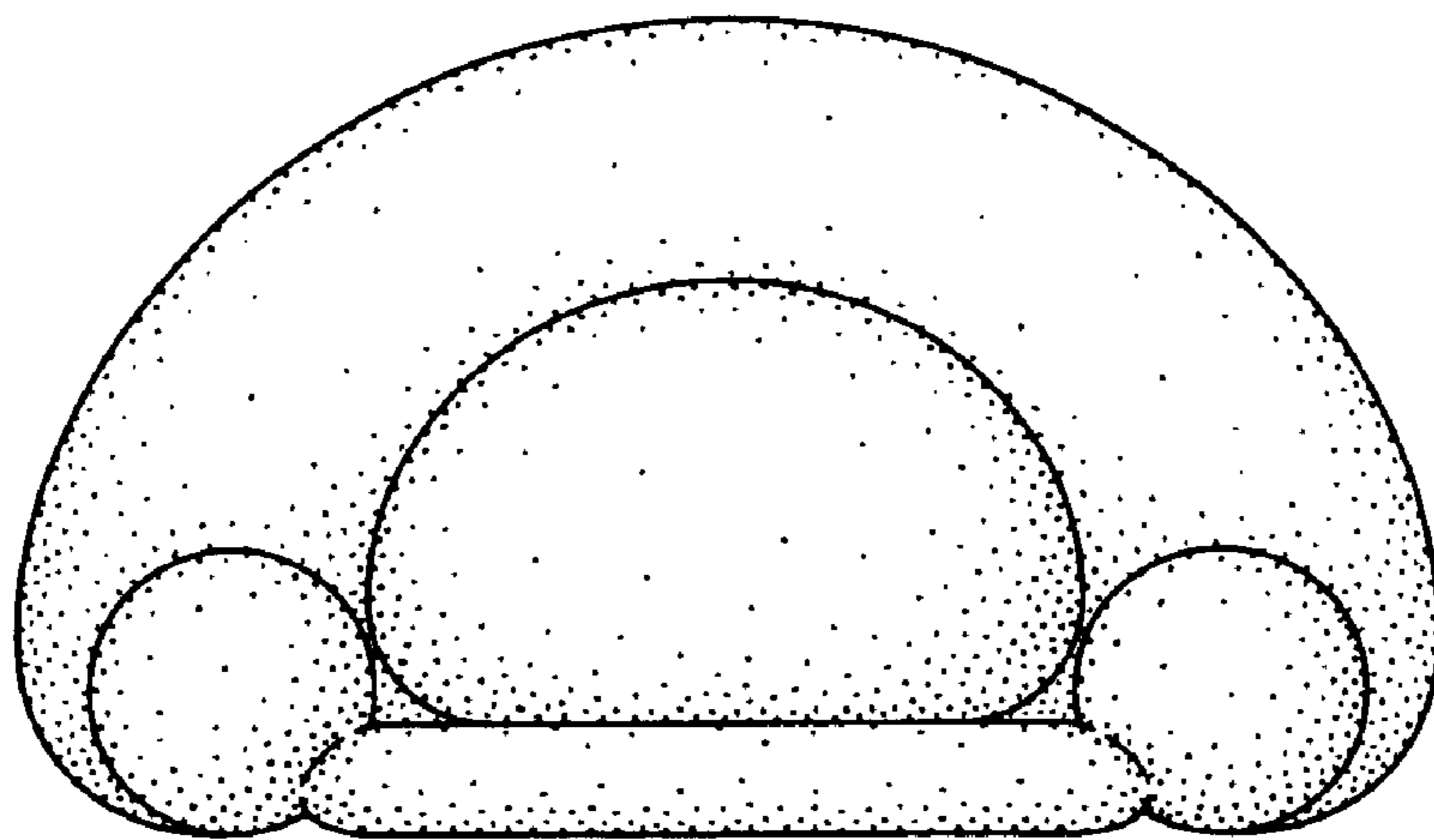


FIG. 6

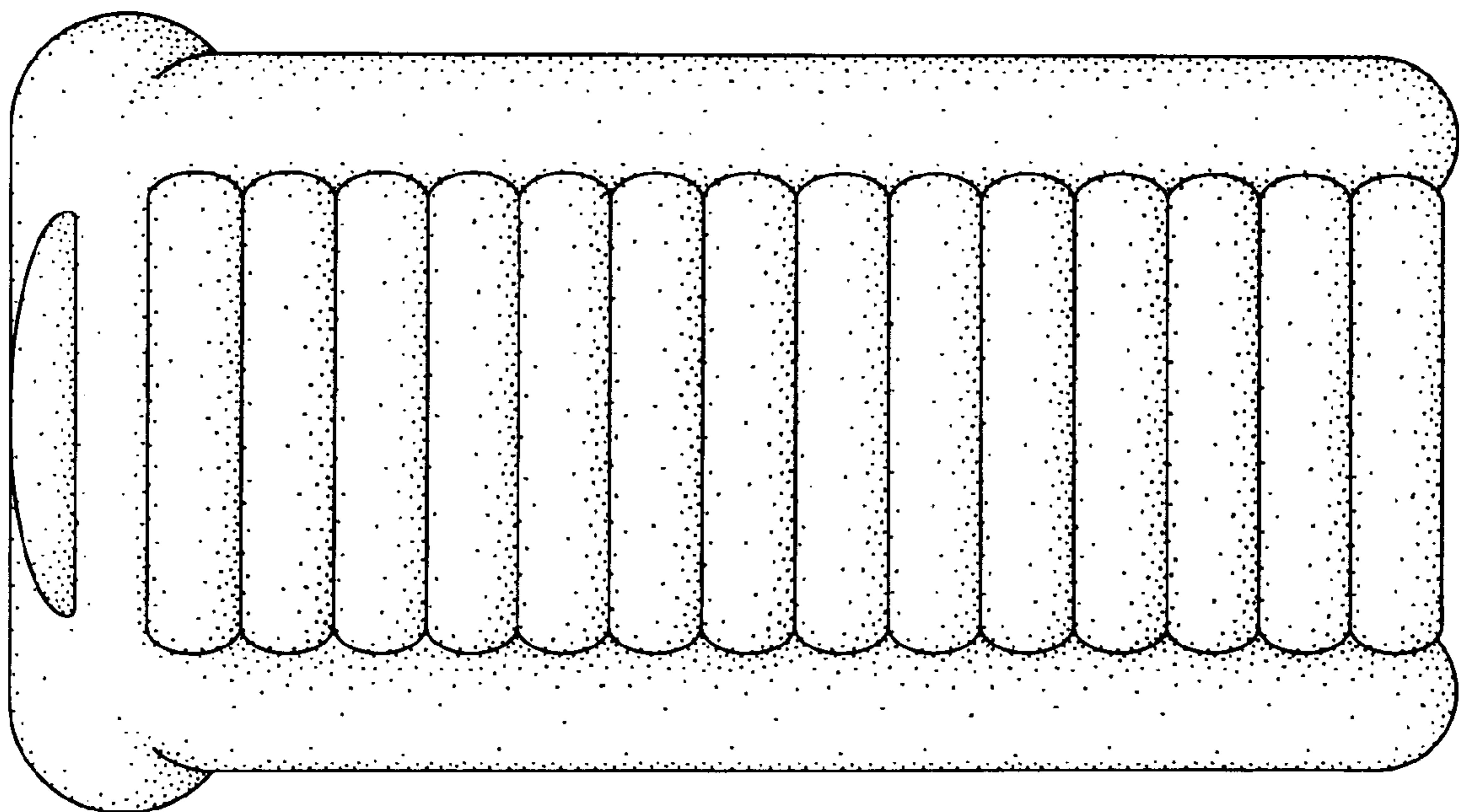


FIG. 7

UNITED STATES PATENT AND TRADEMARK OFFICE
CERTIFICATE OF CORRECTION

PATENT NO. : Des. 513,915 S
DATED : January 31, 2006
INVENTOR(S) : Steven Jacklin

Page 1 of 1

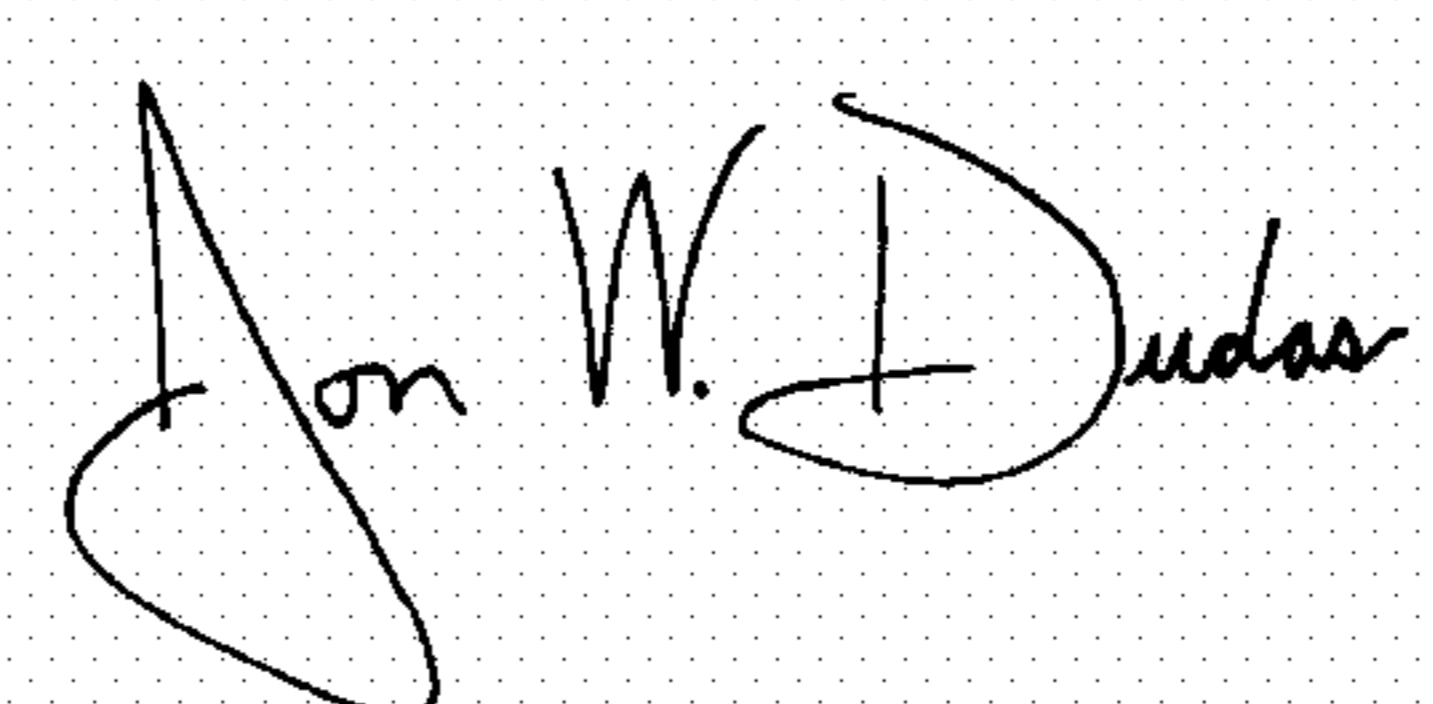
It is certified that error appears in the above-identified patent and that said Letters Patent is hereby corrected as shown below:

Title page.

Item [73], Assignee, should read -- **Spin Master Toys Far East Limited**, Kowloon (HK) --.

Signed and Sealed this

Twenty-third Day of May, 2006

A handwritten signature in black ink on a dotted background. The signature reads "Jon W. Dudas" in a cursive style.

JON W. DUDAS

Director of the United States Patent and Trademark Office