



US00D513911S

(12) **United States Design Patent** (10) **Patent No.:** **US D513,911 S**
Glass et al. (45) **Date of Patent:** **** Jan. 31, 2006**

(54) **CHAIR SEATING ASSEMBLY**

(75) Inventors: **Peter Glass**, Arroyo Grande, CA (US);
Robert J. Mills, Torrance, CA (US)

(73) Assignee: **Virco Mgmt. Corporation**, Torrance,
CA (US)

(**) Term: **14 Years**

(21) Appl. No.: **29/207,361**

(22) Filed: **Jun. 10, 2004**

(51) **LOC (8) Cl.** **06-01**

(52) **U.S. Cl.** **D6/502; D6/475**

(58) **Field of Classification Search** D6/334,
D6/335, 341, 342, 344, 348, 366, 371-375,
D6/499, 500-502; 297/451.3, 258.1, 270.3,
297/271.5, 271.6, 445.1, 452.12, 452.2

See application file for complete search history.

(56) **References Cited**

U.S. PATENT DOCUMENTS

2,745,468	A *	5/1956	Kramer	297/452.12
D182,790	S *	5/1958	Cohen	D6/375
D197,643	S *	3/1964	Kramer	D6/366
3,201,172	A *	8/1965	Bliss	297/452.12
D202,548	S *	10/1965	Kramer	D6/375
D202,549	S *	10/1965	Kramer	D6/375
D202,550	S *	10/1965	Kramer	D6/375
D254,042	S *	1/1980	Hosoe	D6/372
D295,585	S *	5/1988	Mulhauser	D6/372
D307,837	S *	5/1990	Grant	D6/380
D360,083	S *	7/1995	Lohmeyer	D6/375
D409,407	S *	5/1999	Wang	D6/375
D410,801	S *	6/1999	Holbrook	D6/373
D414,618	S *	10/1999	Holbrook	D6/373
D470,320	S *	2/2003	Schloss	D6/375
D471,730	S *	3/2003	Schloss	D6/375
D473,407	S *	4/2003	Ross	D6/500
D474,348	S *	5/2003	Bosman et al.	D6/372
D499,260	S *	12/2004	Glass et al.	D6/375

OTHER PUBLICATIONS

American Desk, "Classroom Furniture," Catalog, pp. 1, 6,
16, 18, end page, P.O. Box 6107, Temple, TX 76503.

Artco-Bell Corporation, "Furniture to Enhance Education,"
Catalog, pp. 1, 5, 9, 11-13, 15, 18, Culver-Newlin Inc., 840
Wanamaker Ave., Ontario CA 91761.

Artco-Bell Corporation, "Product Library 2001," Catalog,
pp. 1, 6-8, 13, end page. P.O. Box 608, 1302 Industrial
Blvd., Temple, TX 76403-0608.

Capital Seating Company, "Premium Quality Classroom
Furniture," Catalog, 3 pages.

CDF, "School Furniture," Catalog, 2 pages.

Columbia Manufacturing Company, "Alpha Chairs," 1 page,
One Cycle Street, P.O. Box 1230, Westfield, MA 01086.

Furniture Fixtures, "Contract Furniture in Advanced
Design," Catalog, 3 pages.

(Continued)

Primary Examiner—Mimosa De

(74) *Attorney, Agent, or Firm*—Denton L. Anderson;
Sheldon & Mak; Robert M. Hupe

(57) **CLAIM**

The ornamental design for a chair seating assembly, as
shown and described.

DESCRIPTION

FIG. 1 is a perspective view of the chair seating assembly of
the invention;

FIG. 2 is a front view of the chair seating assembly illus-
trated in FIG. 1;

FIG. 3 is a side view of the chair seating assembly illus-
trated in FIG. 1;

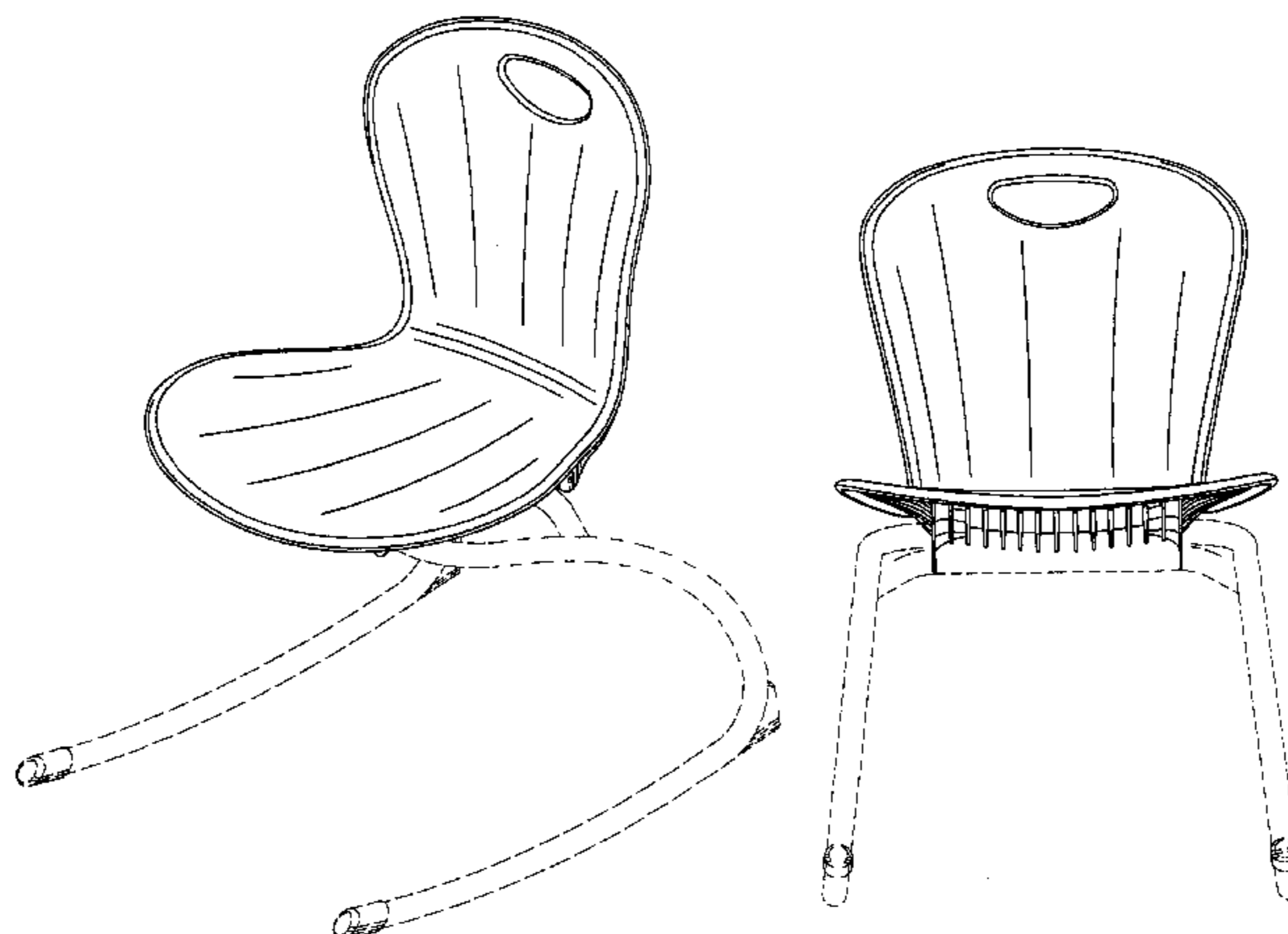
FIG. 4 is a top view of the chair seating assembly illus-
trated in FIG. 1;

FIG. 5 is a bottom view of the chair seating assembly
illustrated in FIG. 1; and,

FIG. 6 is a rear view of the chair seating assembly illus-
trated in FIG. 1.

The broken lines shown in the drawing are for illustrative
purposes only and form no part of the claimed design.

1 Claim, 3 Drawing Sheets



OTHER PUBLICATIONS

Ivy League School Furniture, Catalog, 2 pages.

National School Lines, "Classroom Furniture," Catalog, pp. 1, 4, 6-8, 20, 23-24, Oshkosh, Wisconsin, www.nsl-inc.com.

Royal Seating Corporation, "Educational and Computer Furniture," Catalog, pp. 6, 8, 20, 24.

Scholar Craft, "School Furniture," Catalog, pp. 3, 5, 7, 9, end page, P.O. Box 170748, Birmingham, AL 35217 (2001).

Virco "Furniture Solutions," 2003 General Catalog, pp. 1, 6, 9, 52, 58, 59, 62, 66, 69, last page, 2027 Harpers Way, Torrance CA 90501.

* cited by examiner

FIG. 2

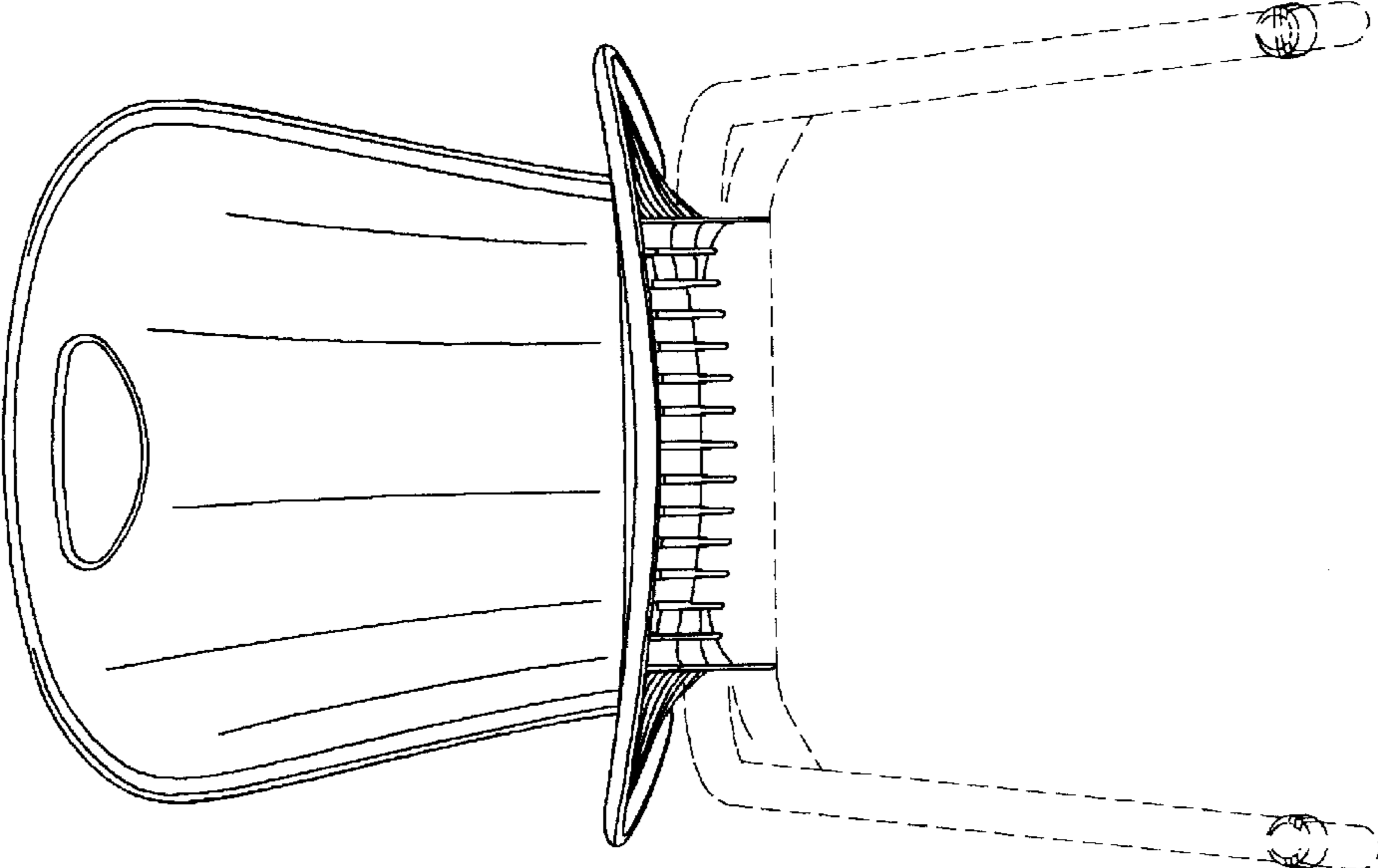


FIG. 1

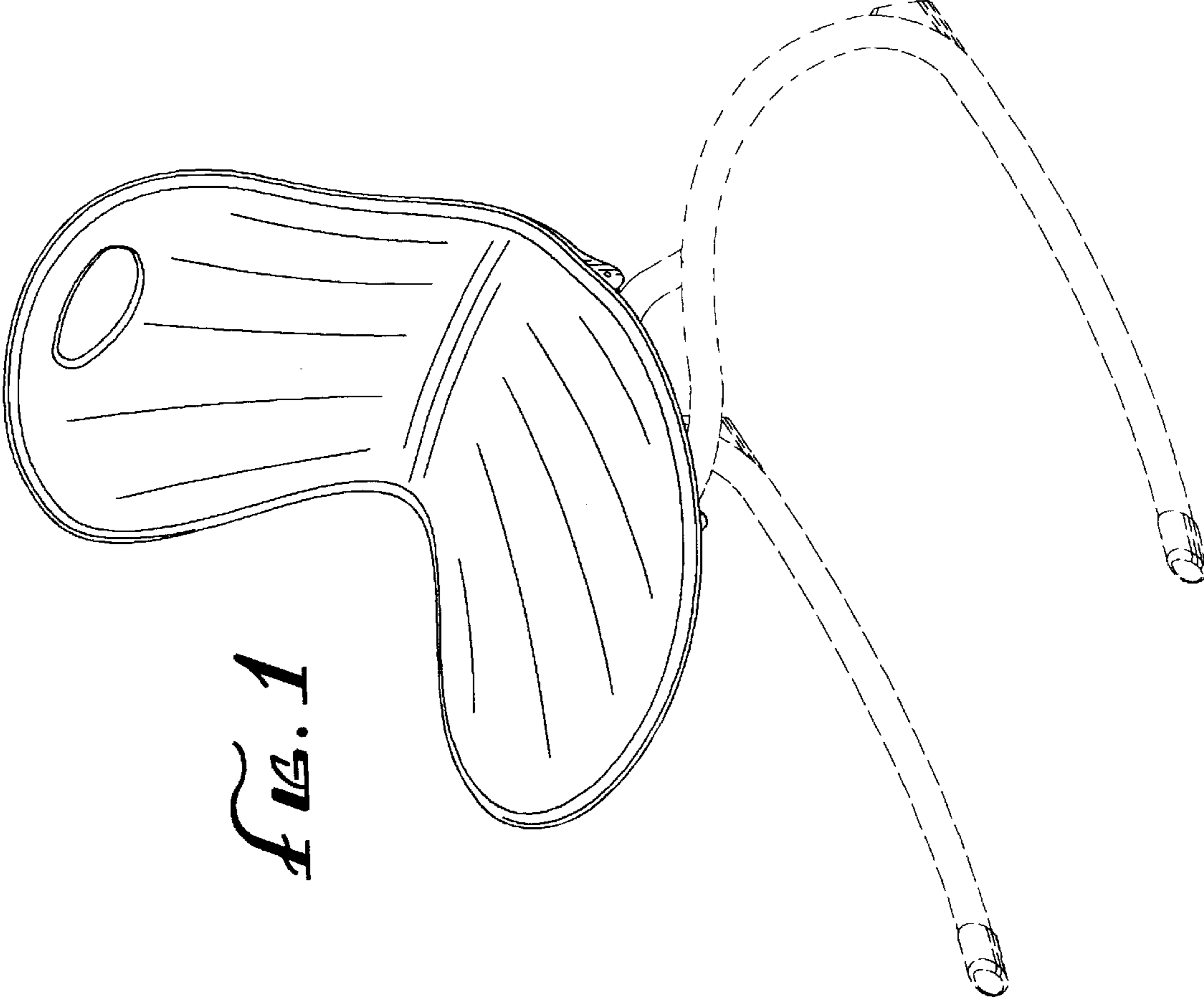


FIG. 4

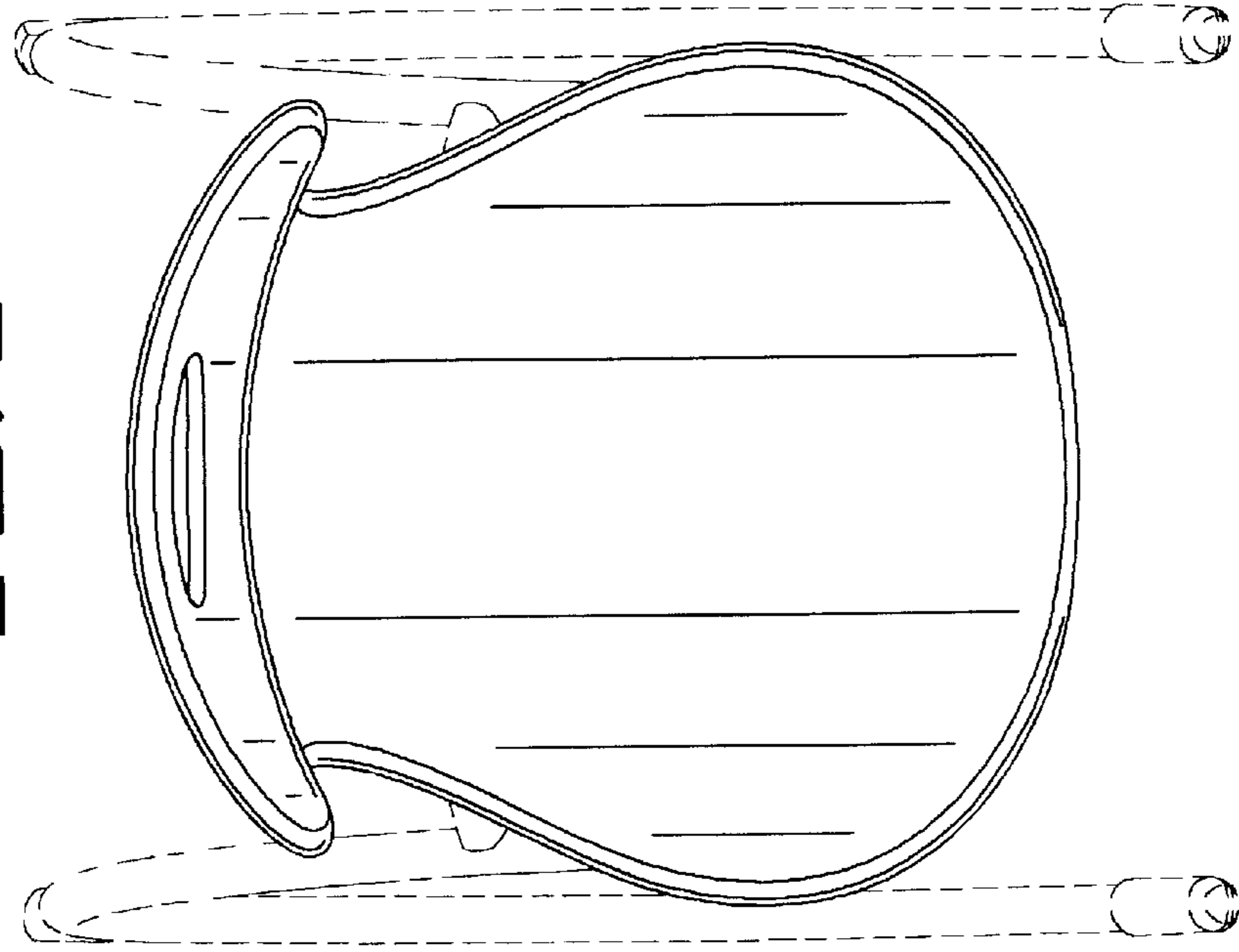


FIG. 3

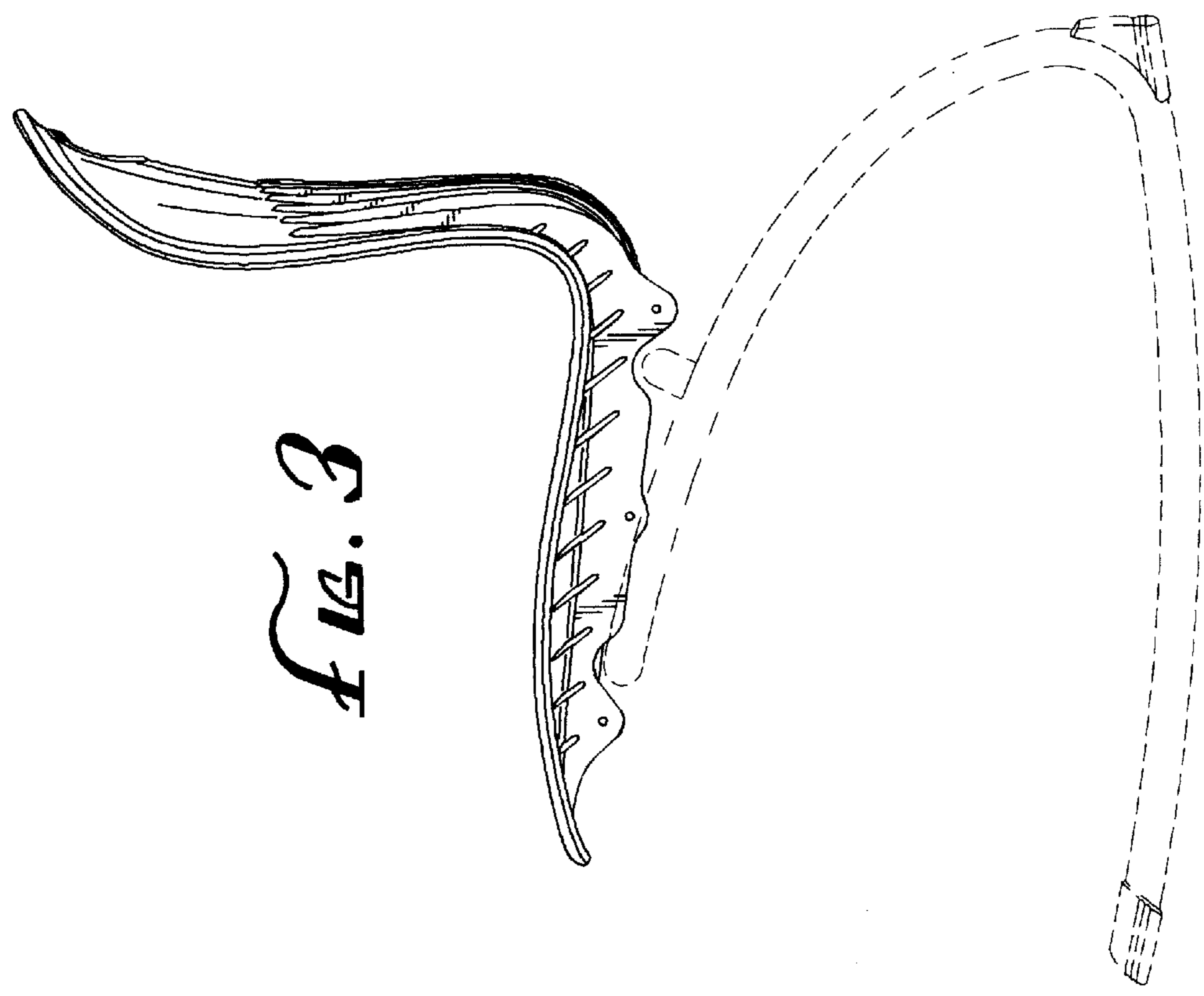


FIG. 0

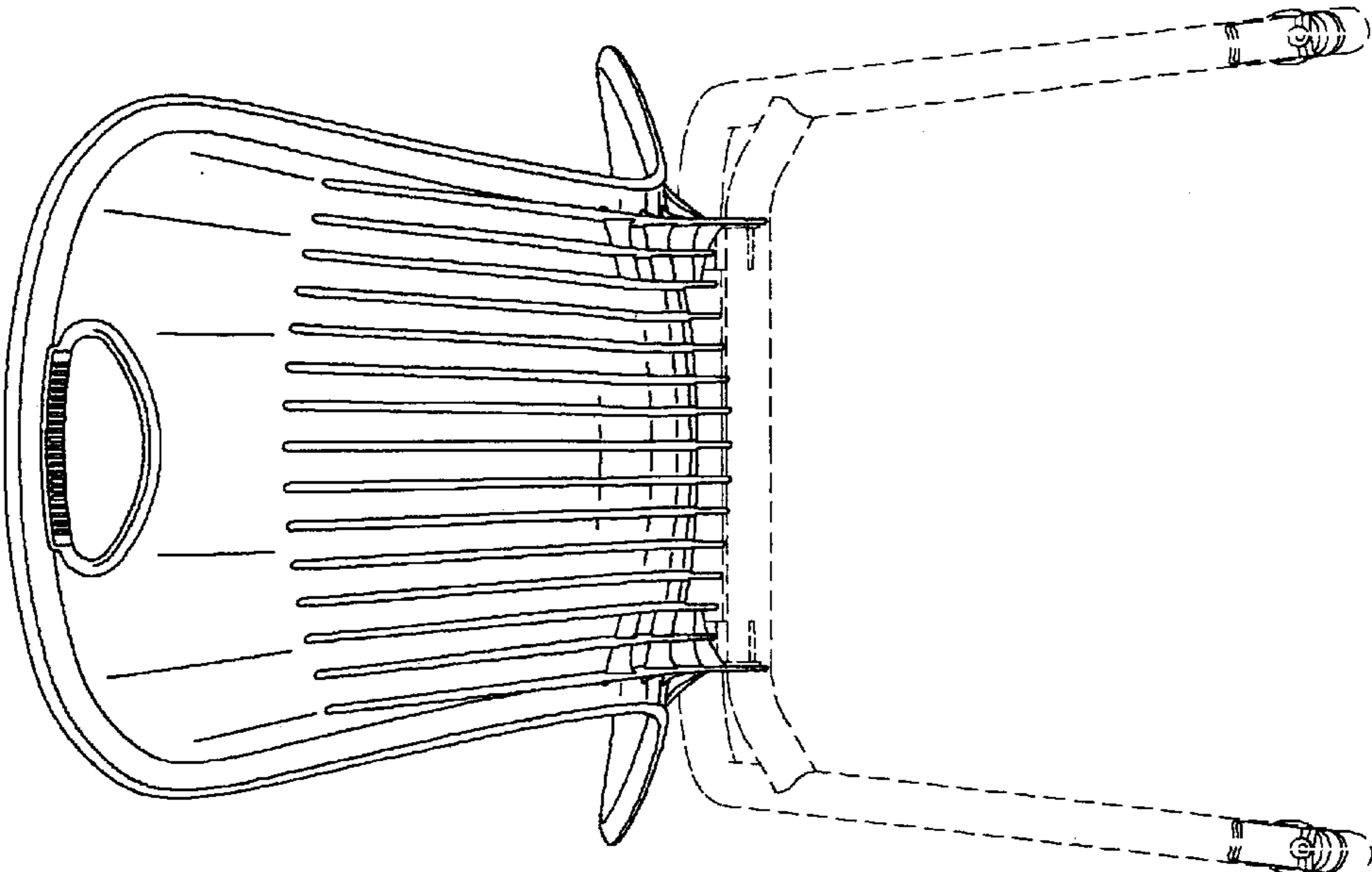


FIG. 5

