



US00D513906S

(12) **United States Design Patent**  
**Holland**

(10) **Patent No.: US D513,906 S**

(45) **Date of Patent: \*\* Jan. 31, 2006**

(54) **SLEIGH COFFEE TABLE**

D426,492 S \* 6/2000 Pappalardo ..... D12/6

(76) Inventor: **Randy Holland**, 200 Rosa Le Dr.,  
Fairfield, VA (US) 24435

\* cited by examiner

*Primary Examiner*—Janice E. Seeger

(74) *Attorney, Agent, or Firm*—Wendy W. Koba

(\*\*) Term: **14 Years**

(57) **CLAIM**

(21) Appl. No.: **29/205,466**

The ornamental design for a sleigh coffee table, as shown and described.

(22) Filed: **May 14, 2004**

(51) **LOC (8) Cl.** ..... **06-03**

**DESCRIPTION**

(52) **U.S. Cl.** ..... **D6/451; D12/9**

FIG. 1 is a side elevational view of a sleigh coffee table in accordance with the present invention;

(58) **Field of Classification Search** ..... D6/450,

D6/451, 388, 480–489; D12/6, 9, 10; 108/153.1,

108/155, 156, 157.1, 161; 248/188, 188.1

See application file for complete search history.

FIG. 2 is a perspective view of a sleigh coffee table in accordance with the present invention;

FIG. 3 is a front elevational view of a sleigh coffee table in accordance with the present invention;

FIG. 4 is a rear elevational view of a sleigh coffee table in accordance with the present invention; and,

FIG. 5 is a bottom elevational view of a sleigh coffee table in accordance with the present invention.

(56) **References Cited**

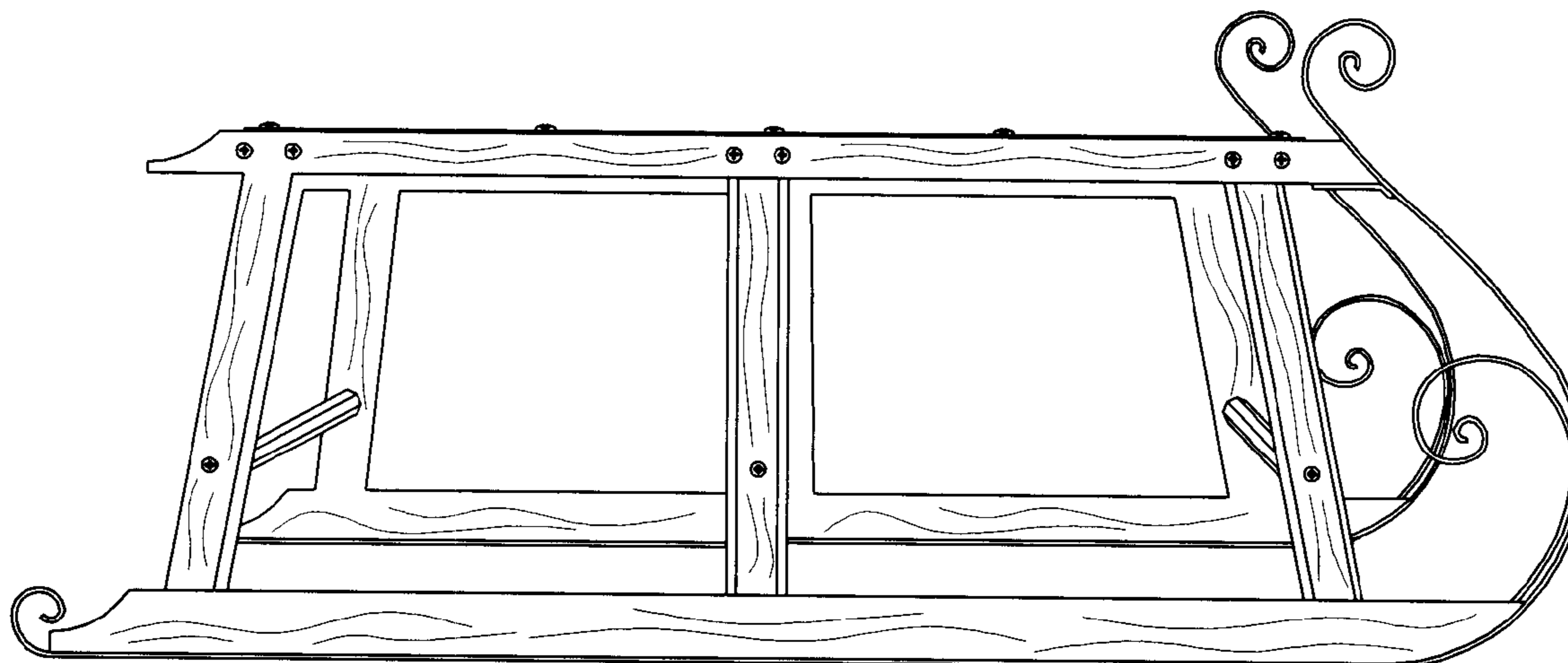
**U.S. PATENT DOCUMENTS**

D199,030 S \* 9/1964 Lasser ..... D12/10

D337,899 S \* 8/1993 Mattikow ..... D6/407

D400,475 S \* 11/1998 Parker ..... D12/9

**1 Claim, 2 Drawing Sheets**



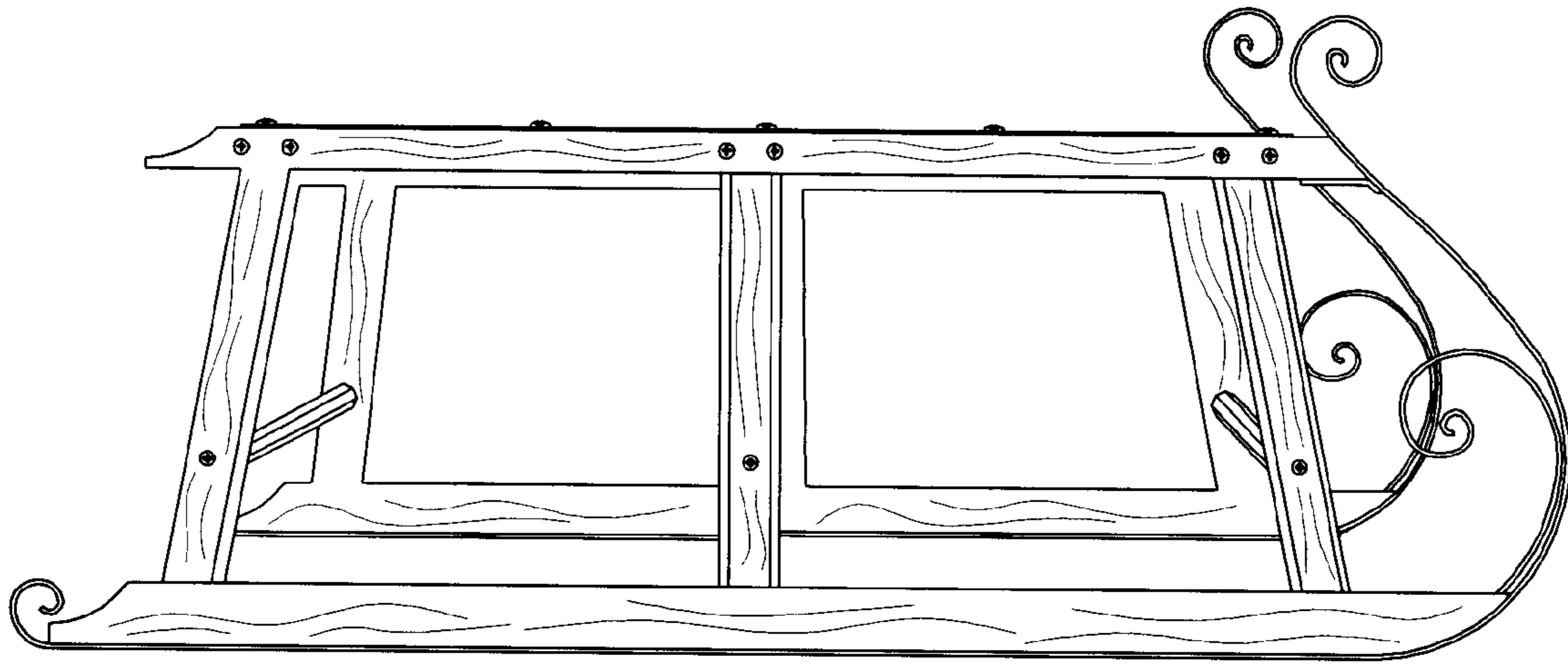


FIG. 1

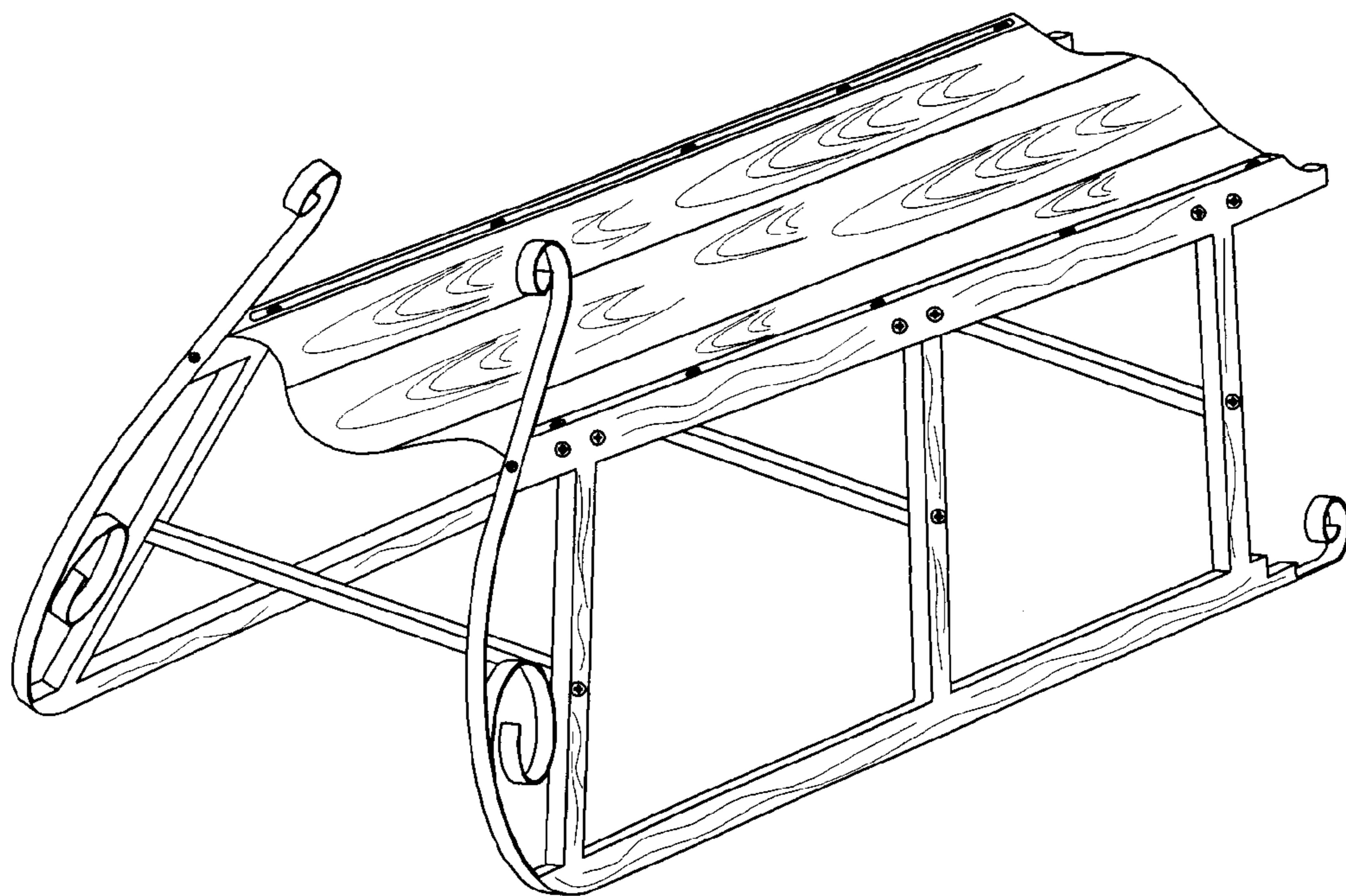


FIG. 2

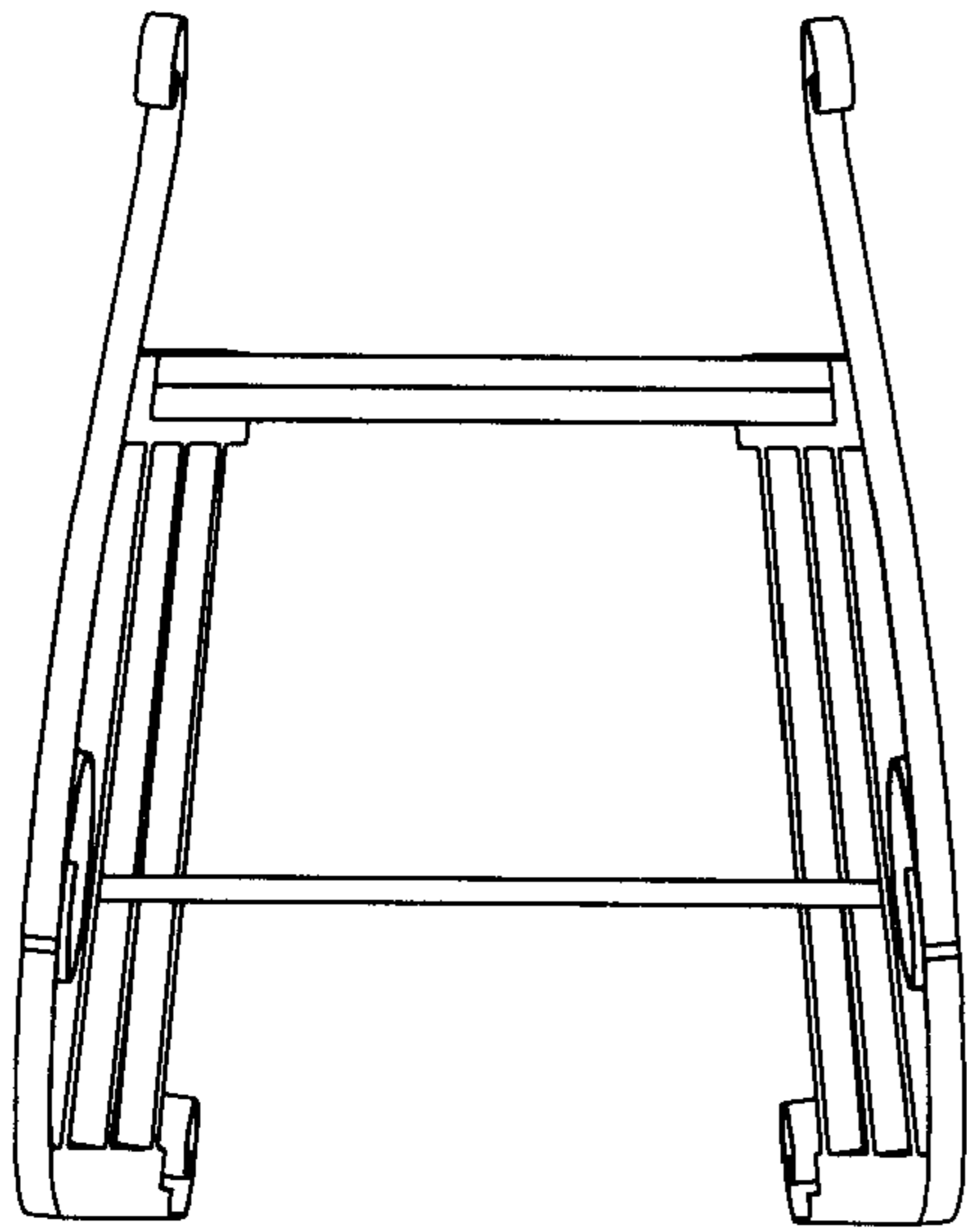


FIG. 3

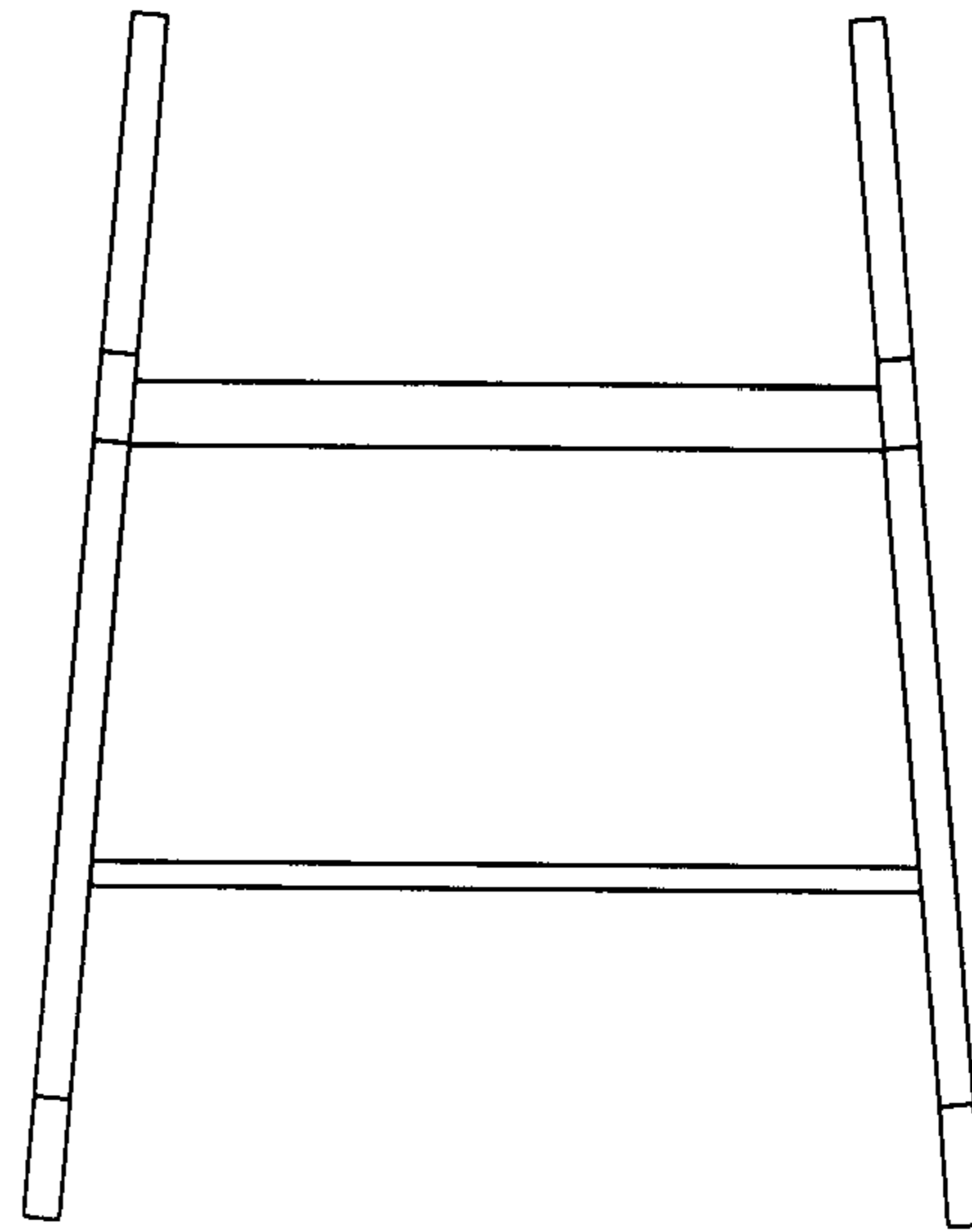


FIG. 4

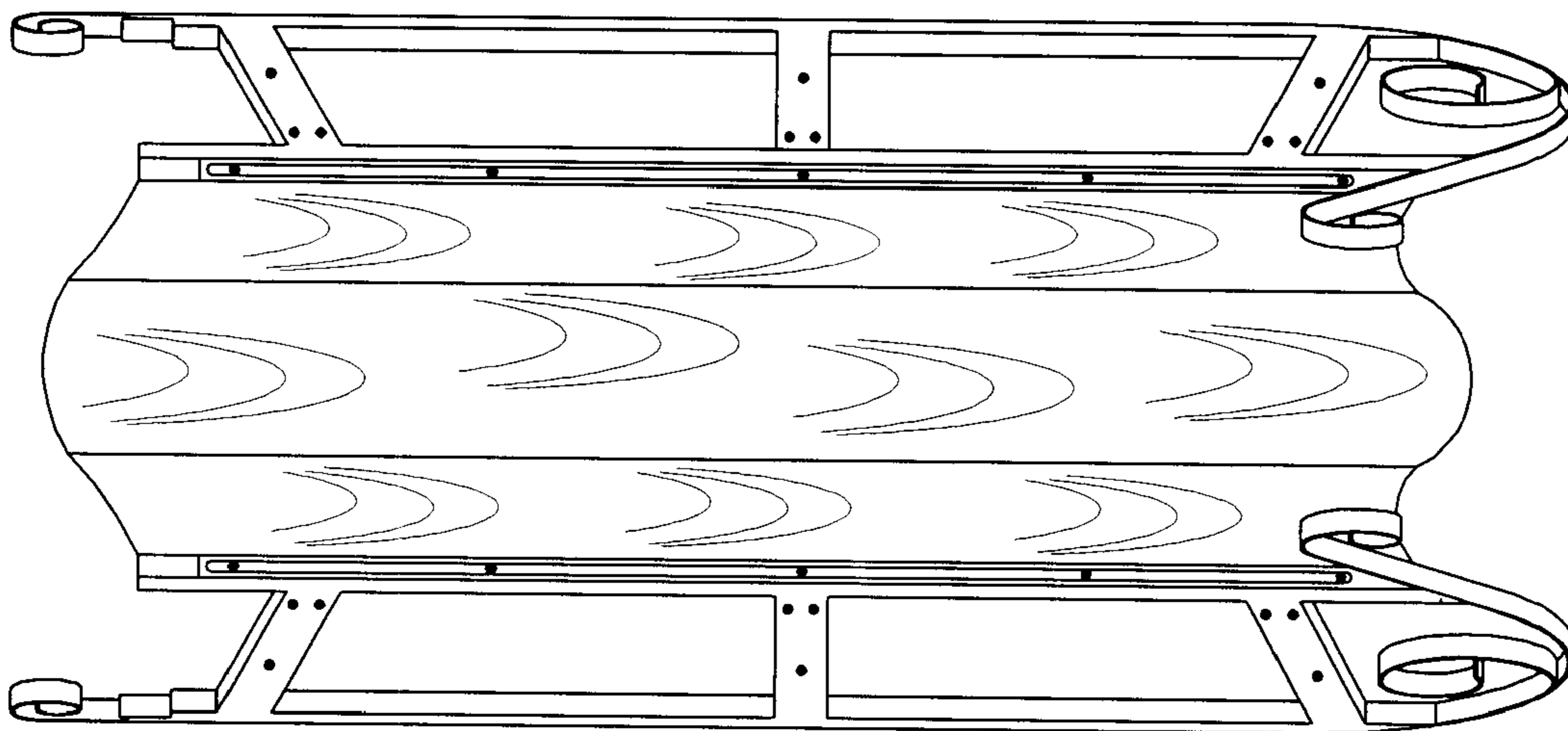


FIG. 5