



US00D513900S

(12) **United States Design Patent**
Tseng

(10) **Patent No.:** **US D513,900 S**
(45) **Date of Patent:** **** Jan. 31, 2006**

(54) **CHAIR**

(75) Inventor: **Chuen-Jong Tseng**, Chiayi Hsien (TW)

(73) Assignee: **Taiwan Shin Yeh Enterprise Co., Ltd.**,
Chiayi Hsien (TW)

(**) Term: **14 Years**

(21) Appl. No.: **29/221,368**

(22) Filed: **Jan. 14, 2005**

(51) **LOC (8) Cl.** **06-01**

(52) **U.S. Cl.** **D6/370; D6/379; D6/380**

(58) **Field of Classification Search** D6/334,
D6/335, 369, 370, 374, 375, 379, 380, 381,
D6/500-502; 297/445.1, 446.1, 452.63, 232
See application file for complete search history.

(56) **References Cited**

U.S. PATENT DOCUMENTS

- 3,205,008 A * 9/1965 Murray et al. 297/452.63
- D329,338 S * 9/1992 Komai et al. D6/379
- D339,007 S * 9/1993 Grosfillex D6/379
- D339,694 S * 9/1993 Schwartz et al. D6/370

- D341,728 S * 11/1993 Grosfillex D6/379
- D345,261 S * 3/1994 Chen D6/370
- D404,585 S * 1/1999 De Blaay D6/379
- D425,718 S * 5/2000 van Valderen D6/370
- D442,380 S * 5/2001 Vertongen D6/368
- D443,768 S * 6/2001 Vertongen D6/361

* cited by examiner

Primary Examiner—Mimosa De

(74) *Attorney, Agent, or Firm*—Ladas & Parry LLP

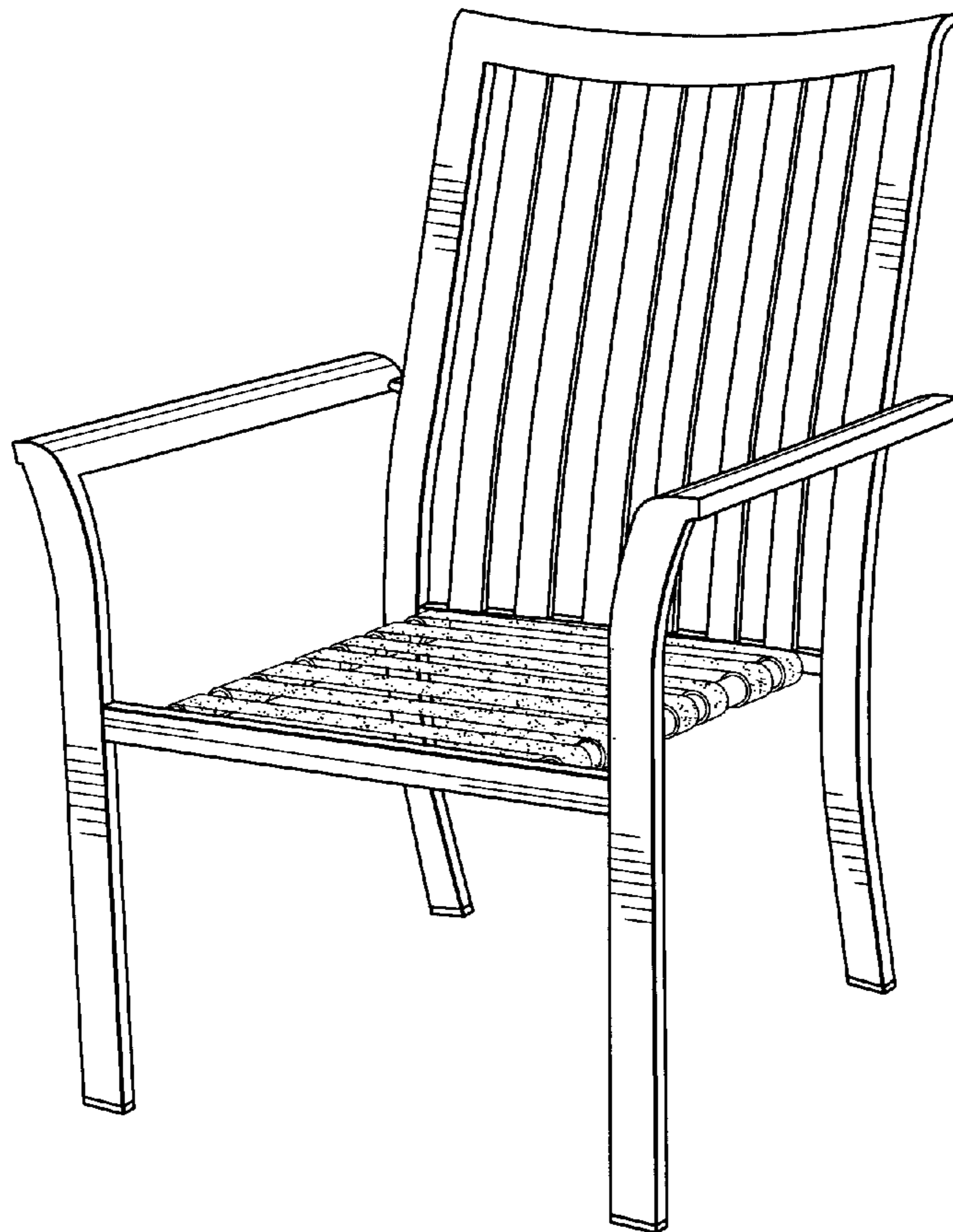
(57) **CLAIM**

The ornamental design for chair, as shown and described.

DESCRIPTION

FIG. 1 is a perspective view of chair showing my new design;
 FIG. 2 is a front elevational view thereof;
 FIG. 3 is a rear elevational view thereof;
 FIG. 4 is a left side elevational view thereof;
 FIG. 5 is a right side elevational view thereof;
 FIG. 6 is a top plan view thereof; and,
 FIG. 7 is a bottom plan view thereof.

1 Claim, 4 Drawing Sheets



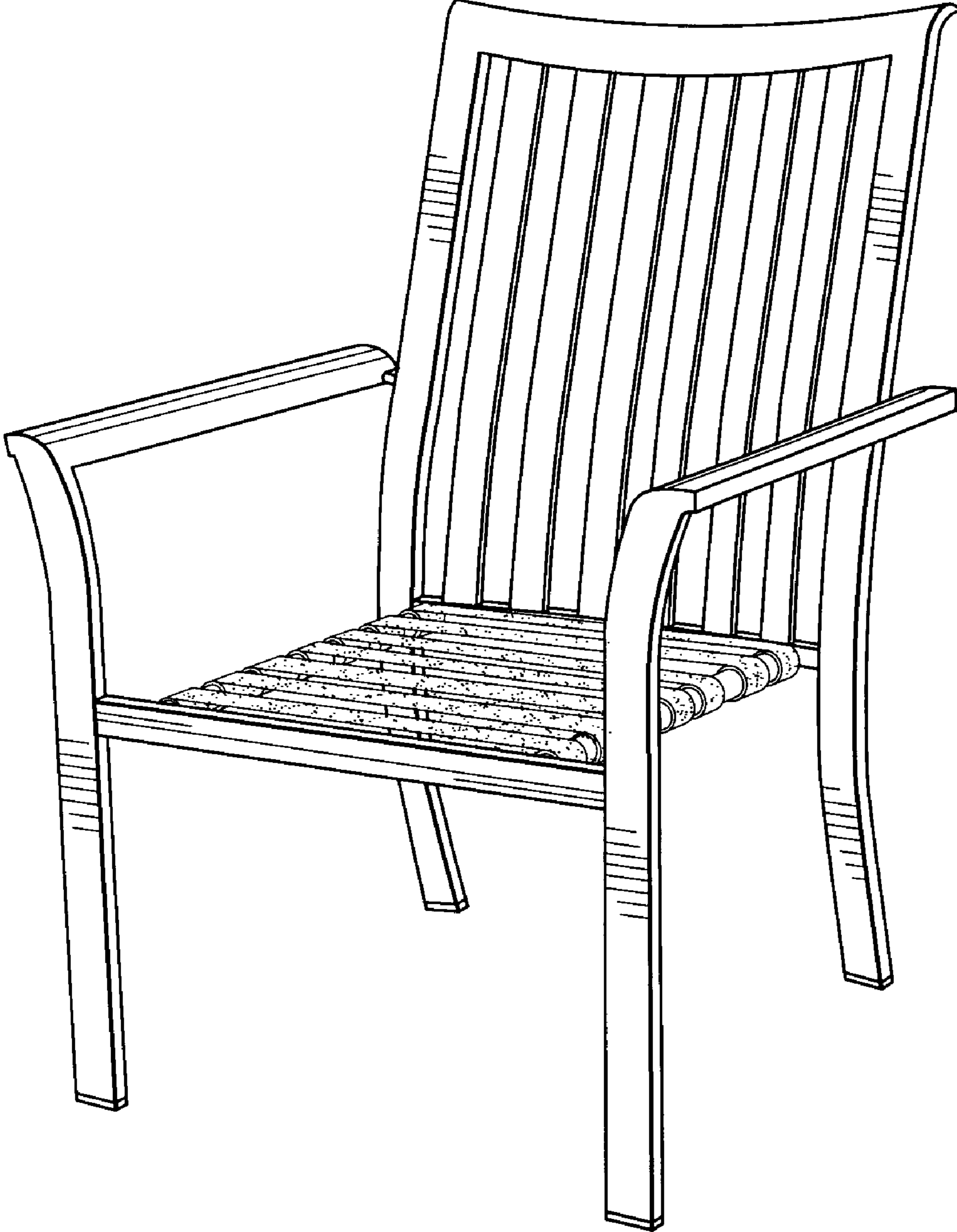


FIG. 1

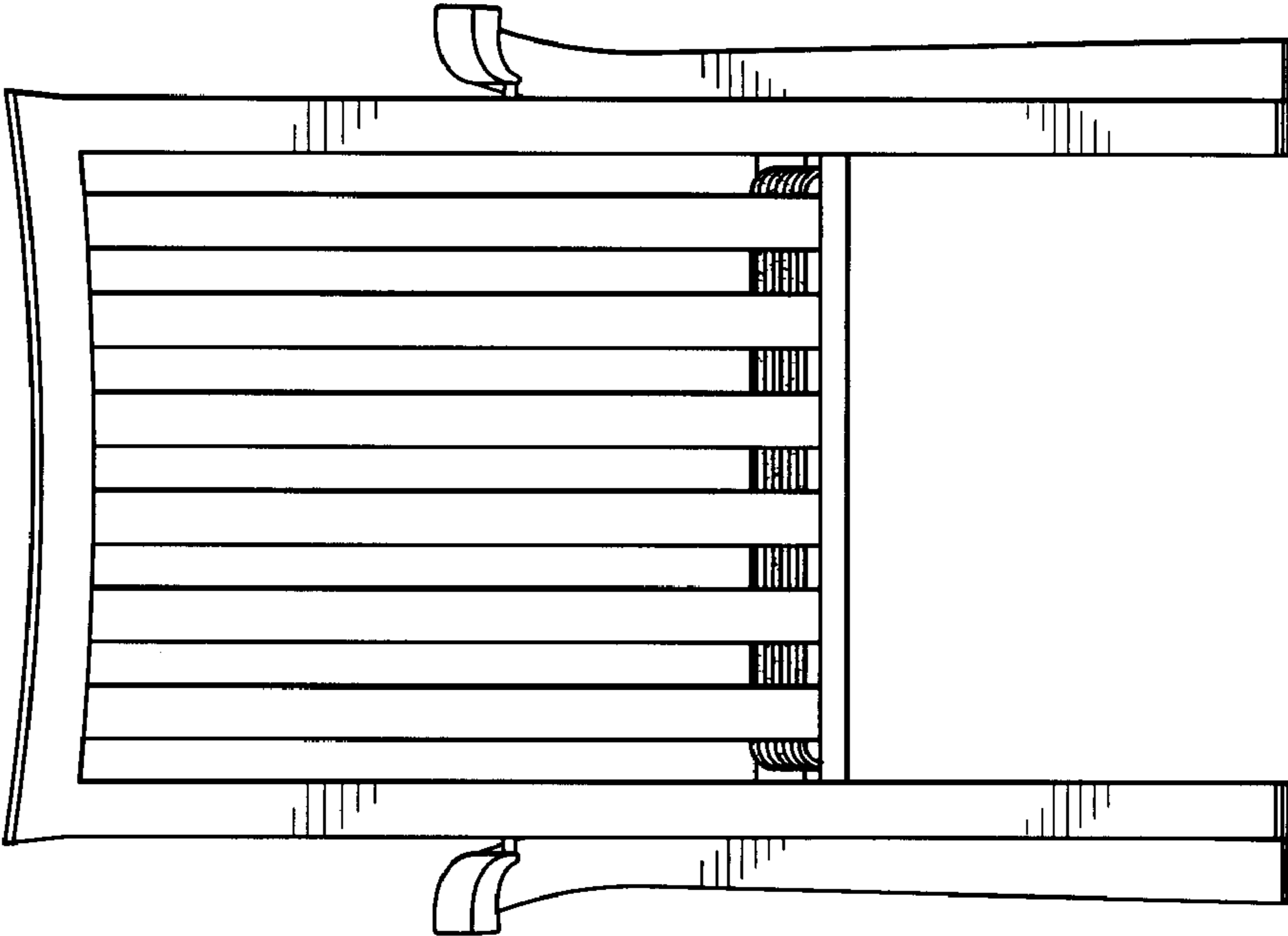


FIG. 3

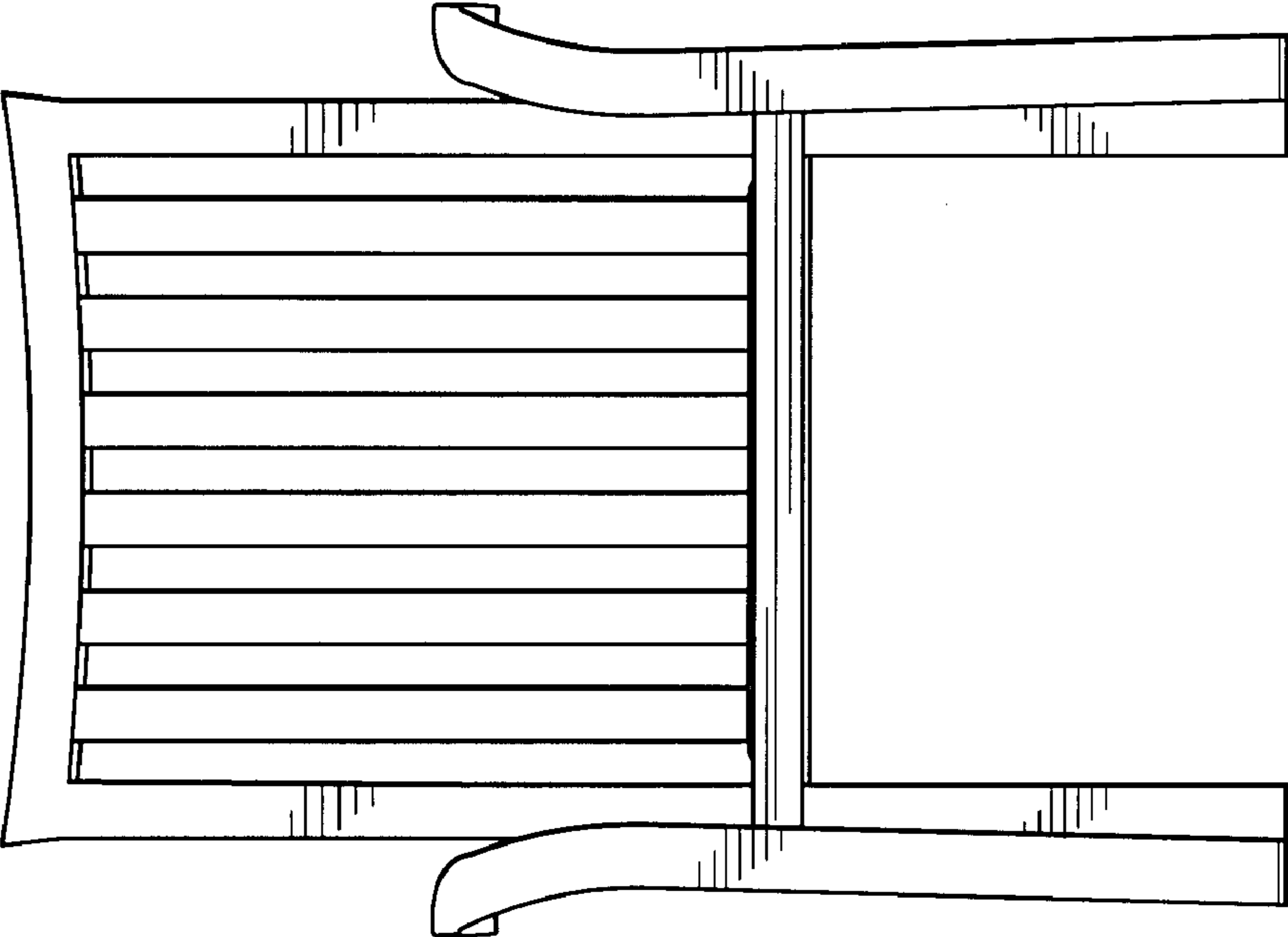


FIG. 2

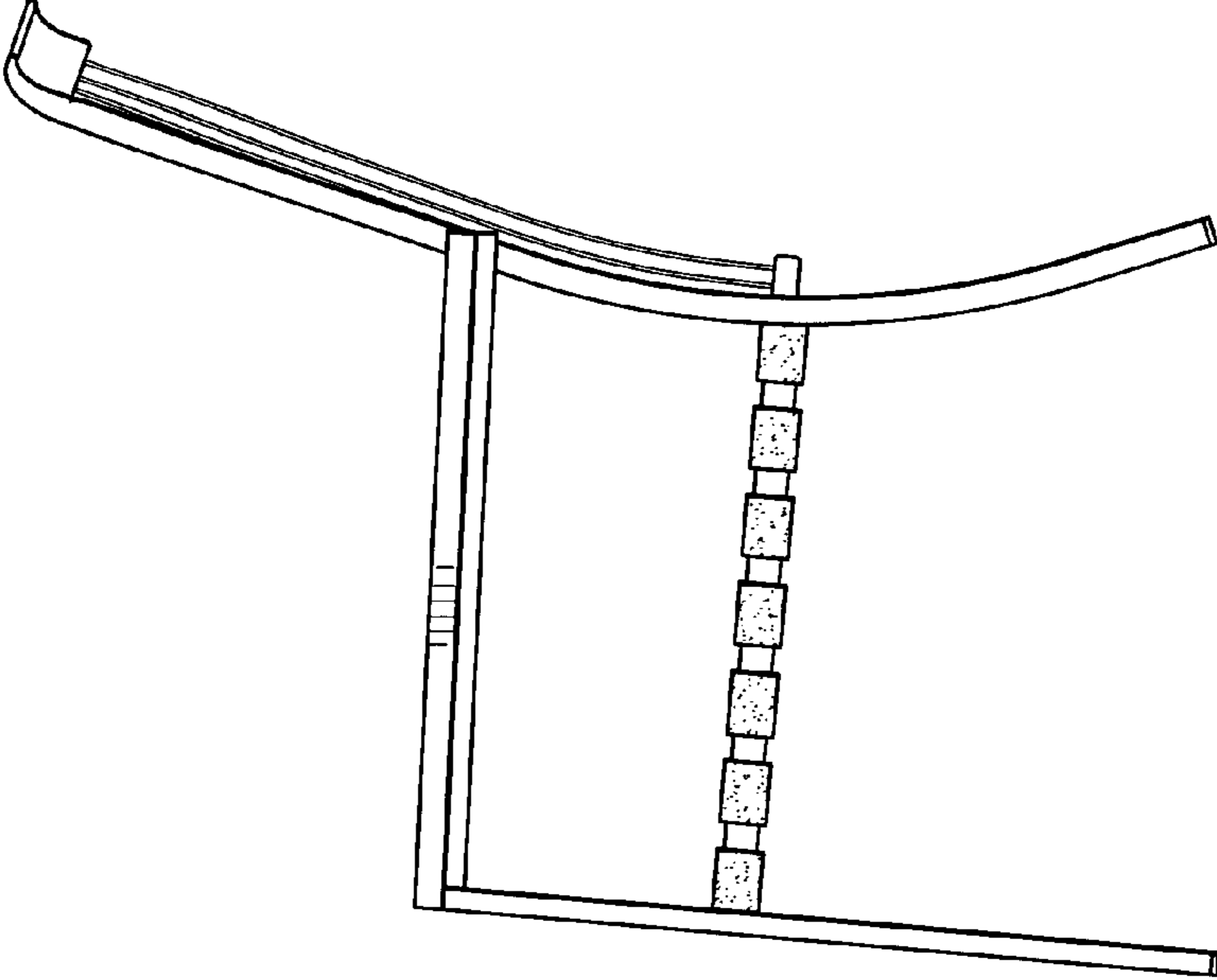


FIG. 5

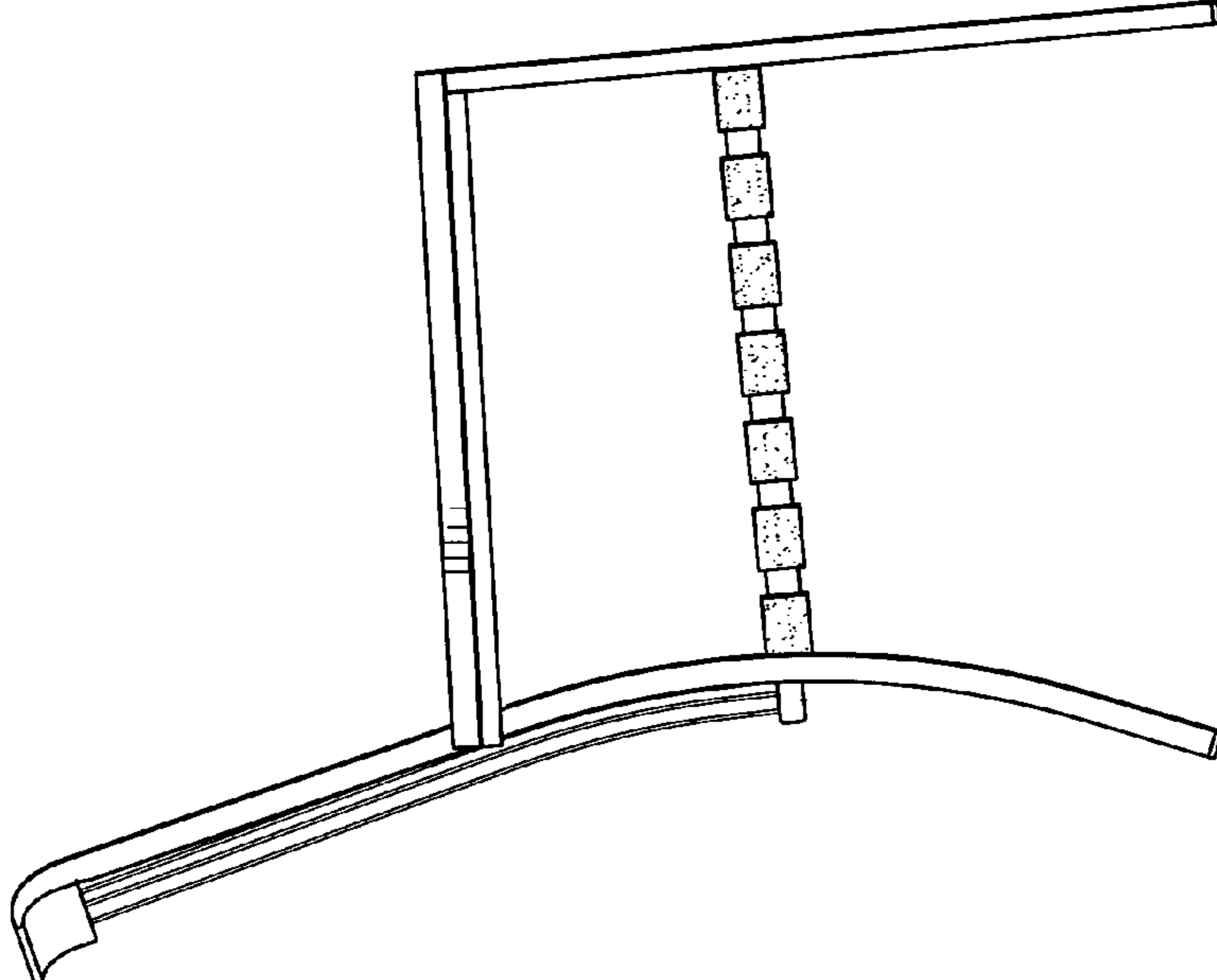


FIG. 4

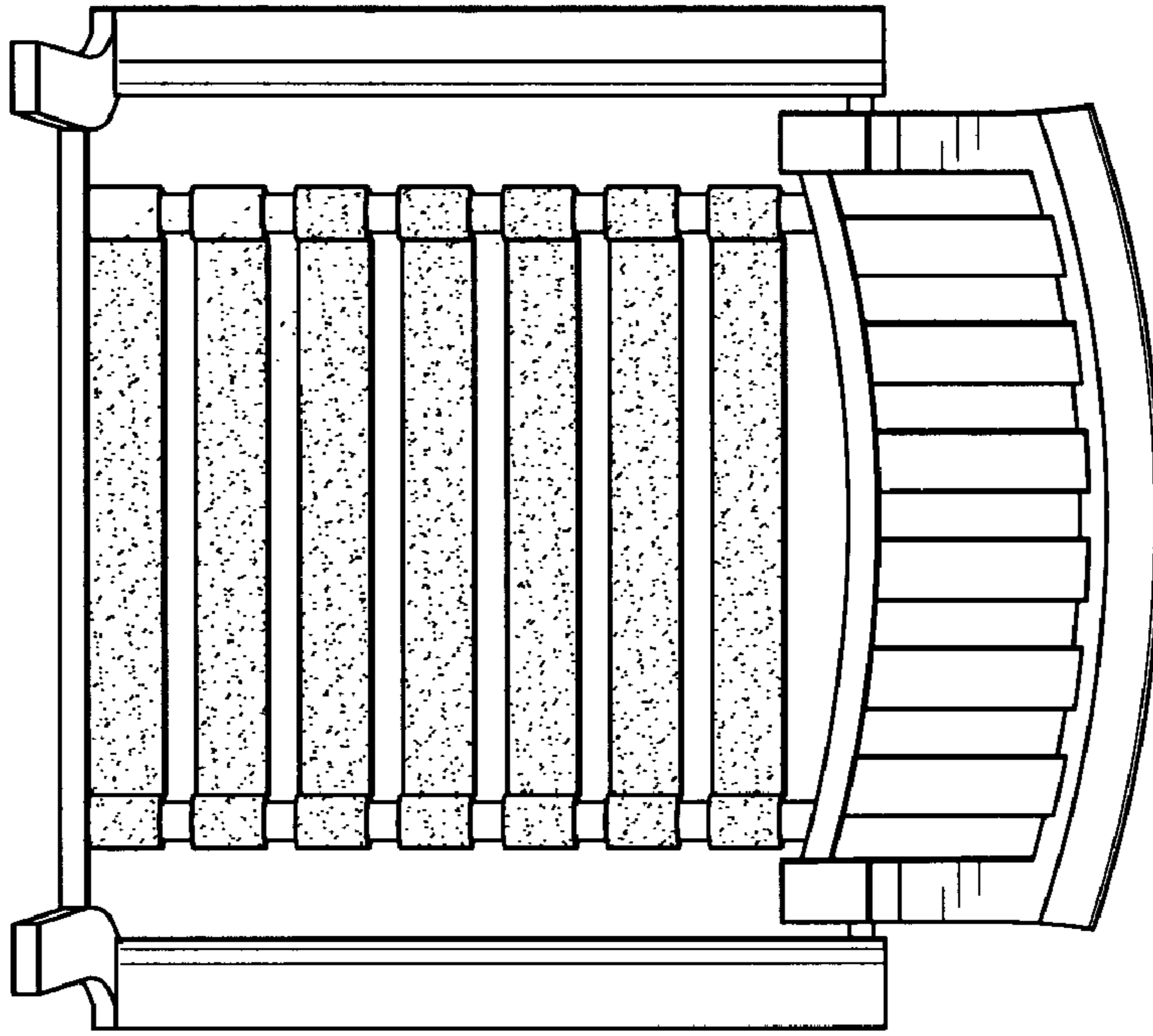


FIG. 7

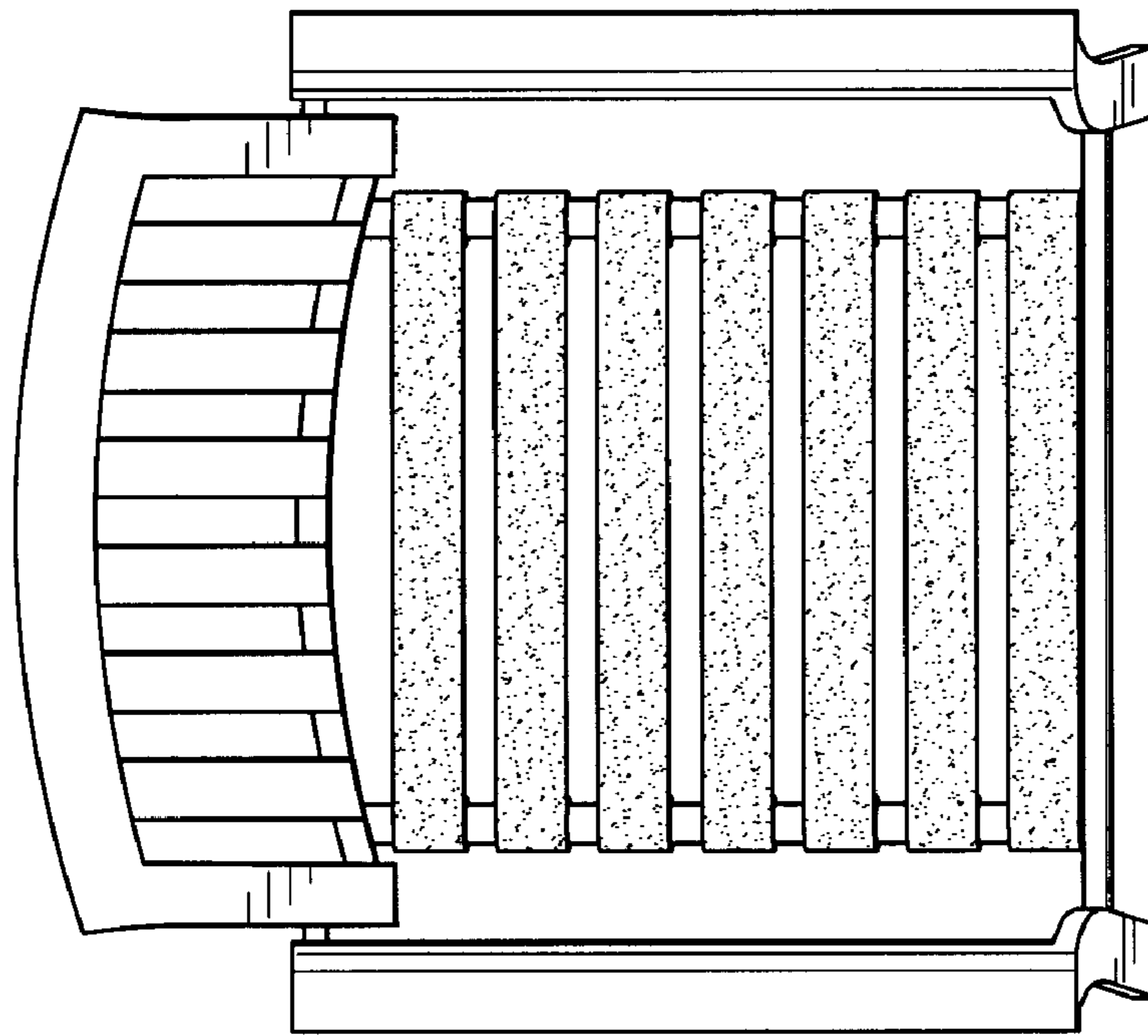


FIG. 6