



US00D513899S

(12) **United States Design Patent**  
**Erwin**

(10) **Patent No.:** **US D513,899 S**  
(45) **Date of Patent:** **\*\* Jan. 31, 2006**

(54) **WICKER CHAIR**

(75) Inventor: **Jim Erwin**, Woodstock, GA (US)

(73) Assignee: **Erwin & Sons Direct Imports, Inc.**,  
Woodstock, GA (US)

(\*\*) Term: **14 Years**

(21) Appl. No.: **29/213,809**

(22) Filed: **Sep. 22, 2004**

(51) **LOC (8) Cl.** ..... **06-01**

(52) **U.S. Cl.** ..... **D6/369; D6/379**

(58) **Field of Classification Search** ..... D6/334,  
D6/335, 369, 370, 379, 380, 500-502; 297/445.1,  
297/446.1, 452.63

See application file for complete search history.

(56) **References Cited**

**U.S. PATENT DOCUMENTS**

D81,971 S	*	9/1930	Forst	.....	D6/369
D181,001 S	*	9/1957	Forbes	.....	D6/369
D193,980 S	*	11/1962	Ritts	.....	D6/369
D279,435 S	*	7/1985	Giorgetti	.....	D6/370
D341,266 S	*	11/1993	Caldwell	.....	D6/379
D343,962 S	*	2/1994	Lowsky	.....	D6/369
D347,123 S	*	5/1994	Lowsky	.....	D6/369
D363,385 S	*	10/1995	Martin	.....	D6/379
D447,352 S	*	9/2001	Grosfillex	.....	D6/369

D473,060 S	*	4/2003	Hutton	.....	D6/369
D474,347 S	*	5/2003	Hutton	.....	D6/369
D486,658 S	*	2/2004	Weaver	.....	D6/370
D495,512 S	*	9/2004	Diaz-Azcuy	.....	D6/369

\* cited by examiner

*Primary Examiner*—Mimosa De

(74) *Attorney, Agent, or Firm*—Troutman Sanders LLP;  
Ryan A. Schneider

(57) **CLAIM**

The ornamental design for a wicker chair, as shown and described.

**DESCRIPTION**

FIG. 1—is an isometric view of the wicker chair showing my new design.

FIG. 2—is a front view of the wicker chair shown in FIG. 1.

FIG. 3—is a left side view of the wicker chair shown in FIG. 1. The right side is a mirror image.

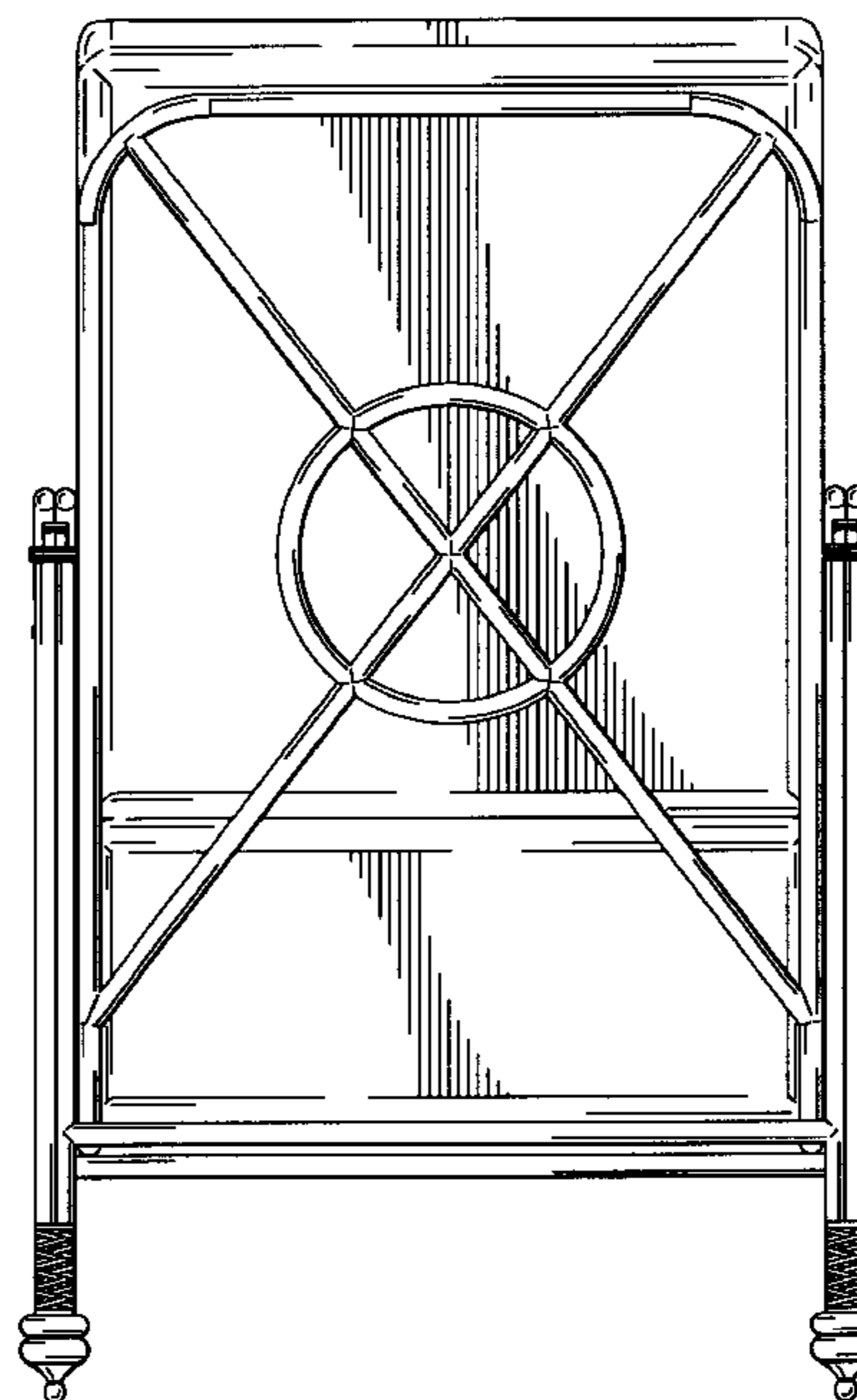
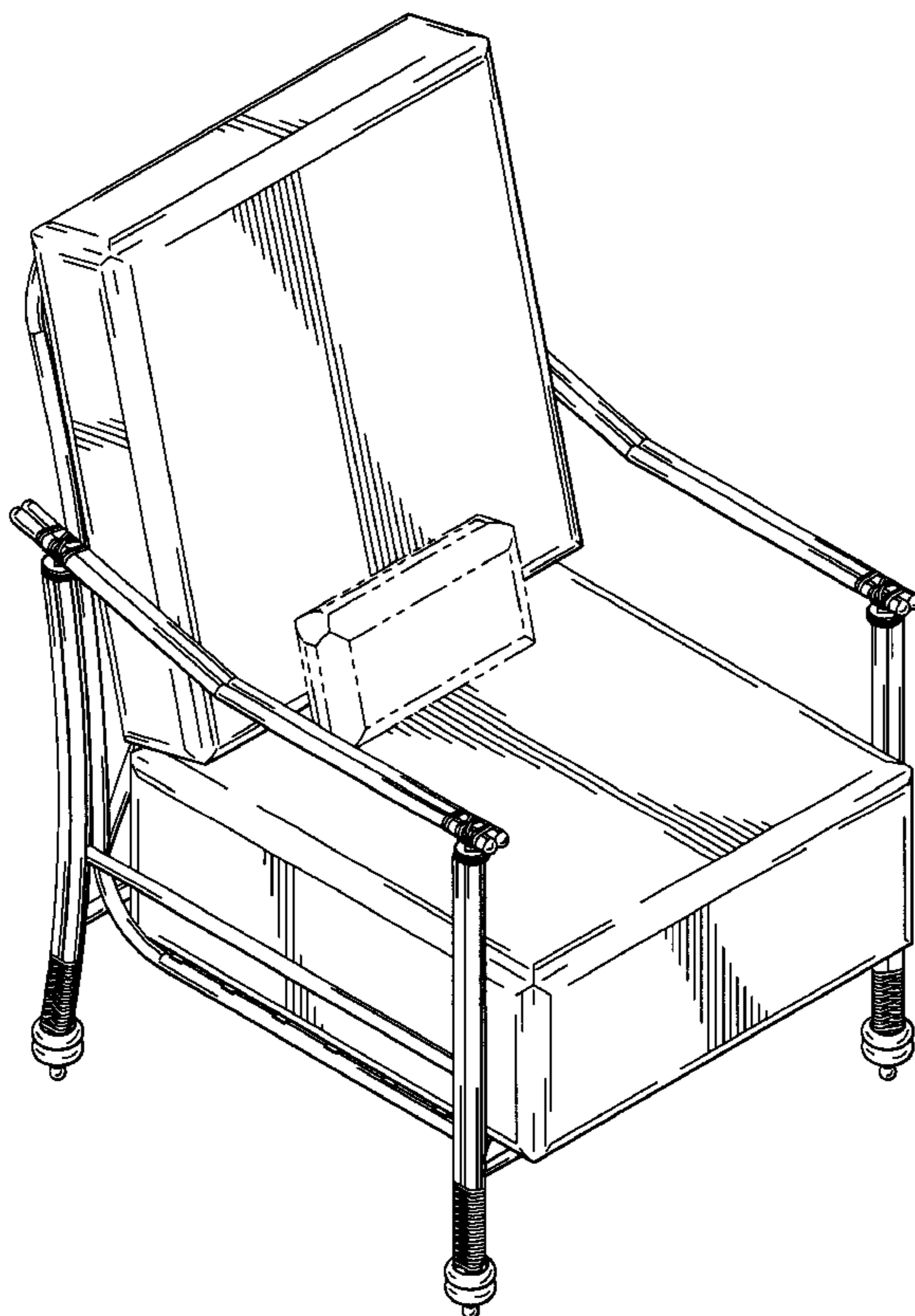
FIG. 4—is a rear view of the wicker chair shown in FIG. 1.

FIG. 5—is a top view of the wicker chair shown in FIG. 1; and,

FIG. 6—is a bottom view of the wicker chair shown in FIG. 1.

The broken line shown in the drawing is for illustrative purposes only and forms no part of the claimed design.

**1 Claim, 4 Drawing Sheets**



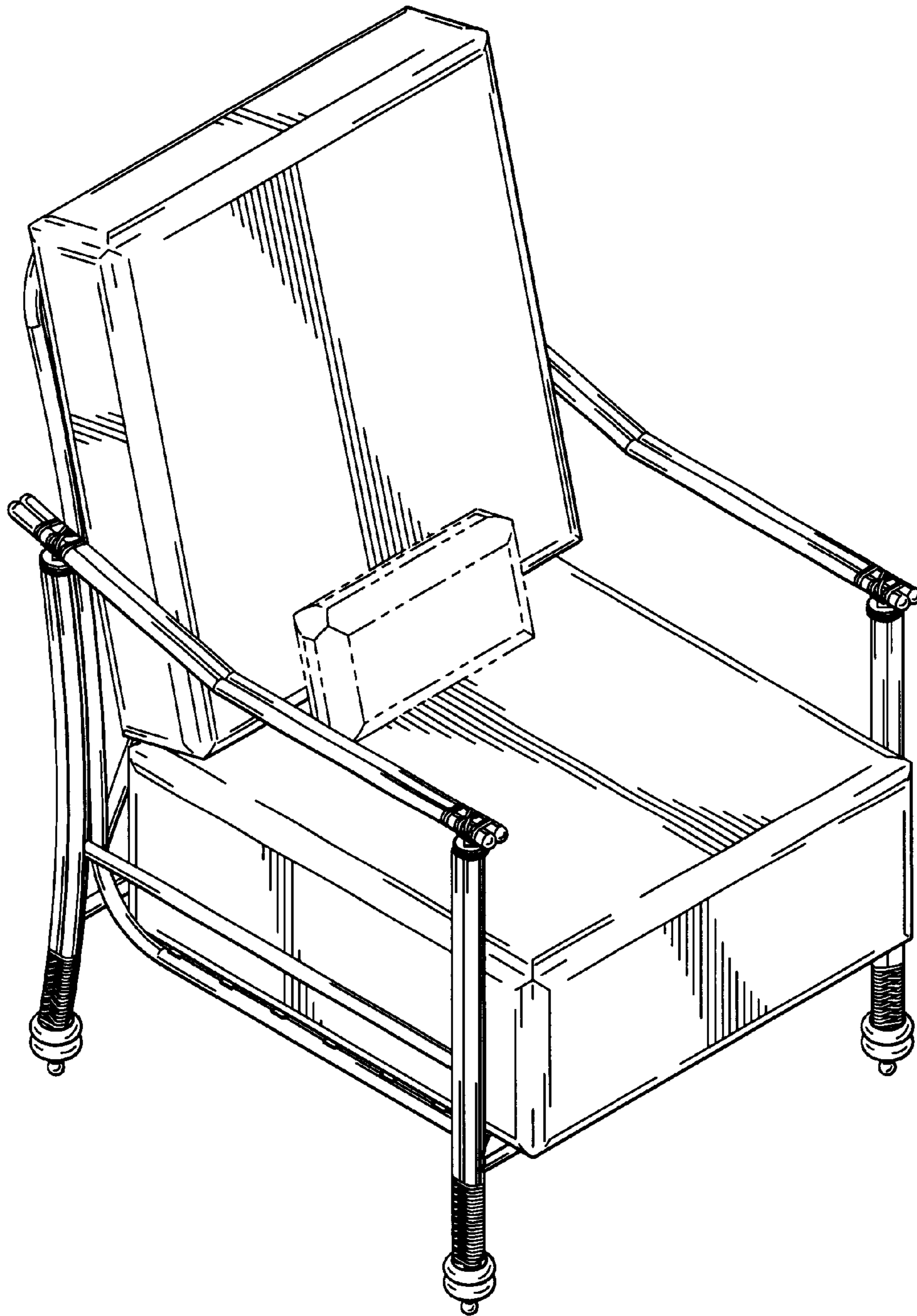


FIG. 1

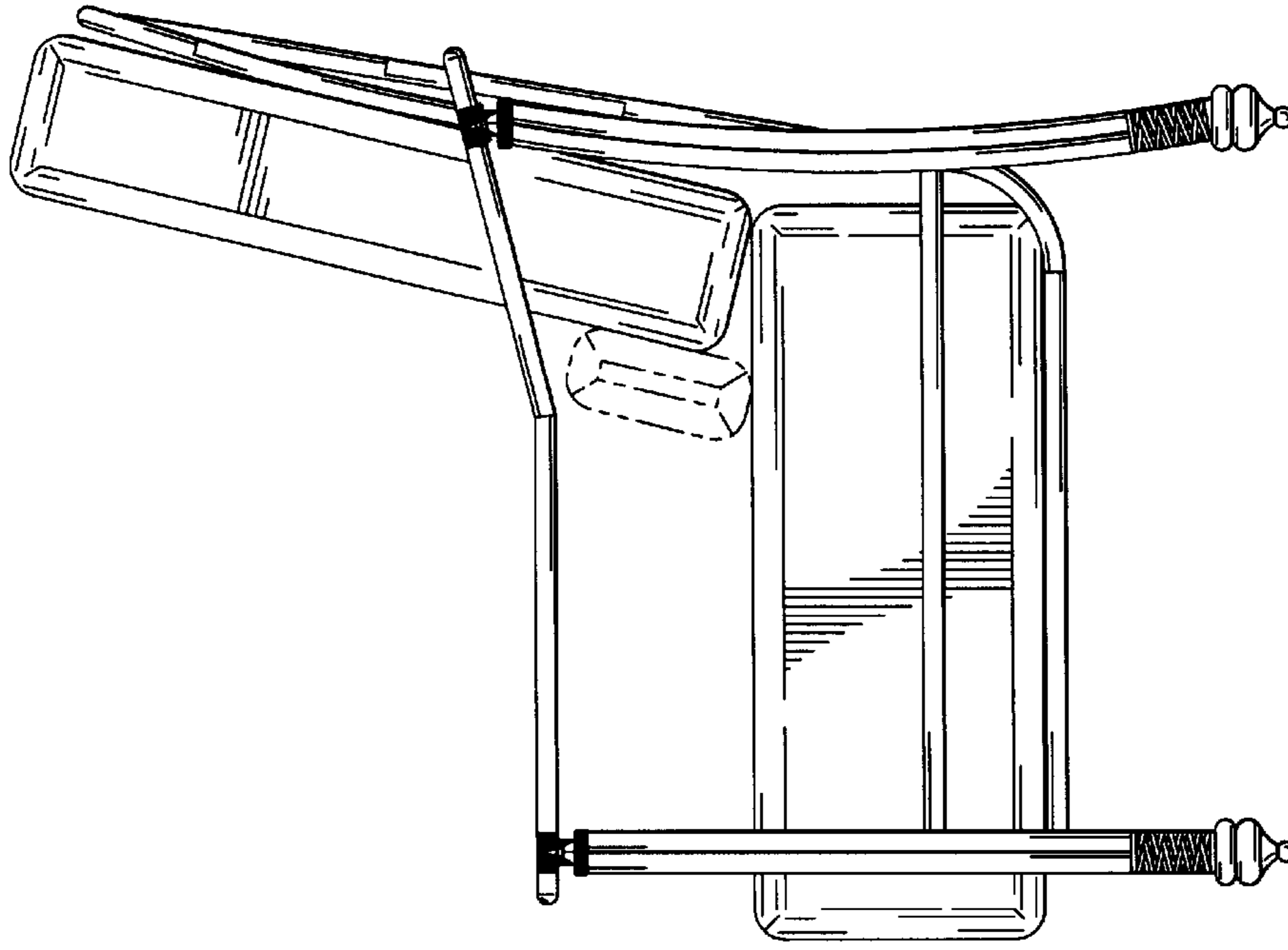


FIG. 3

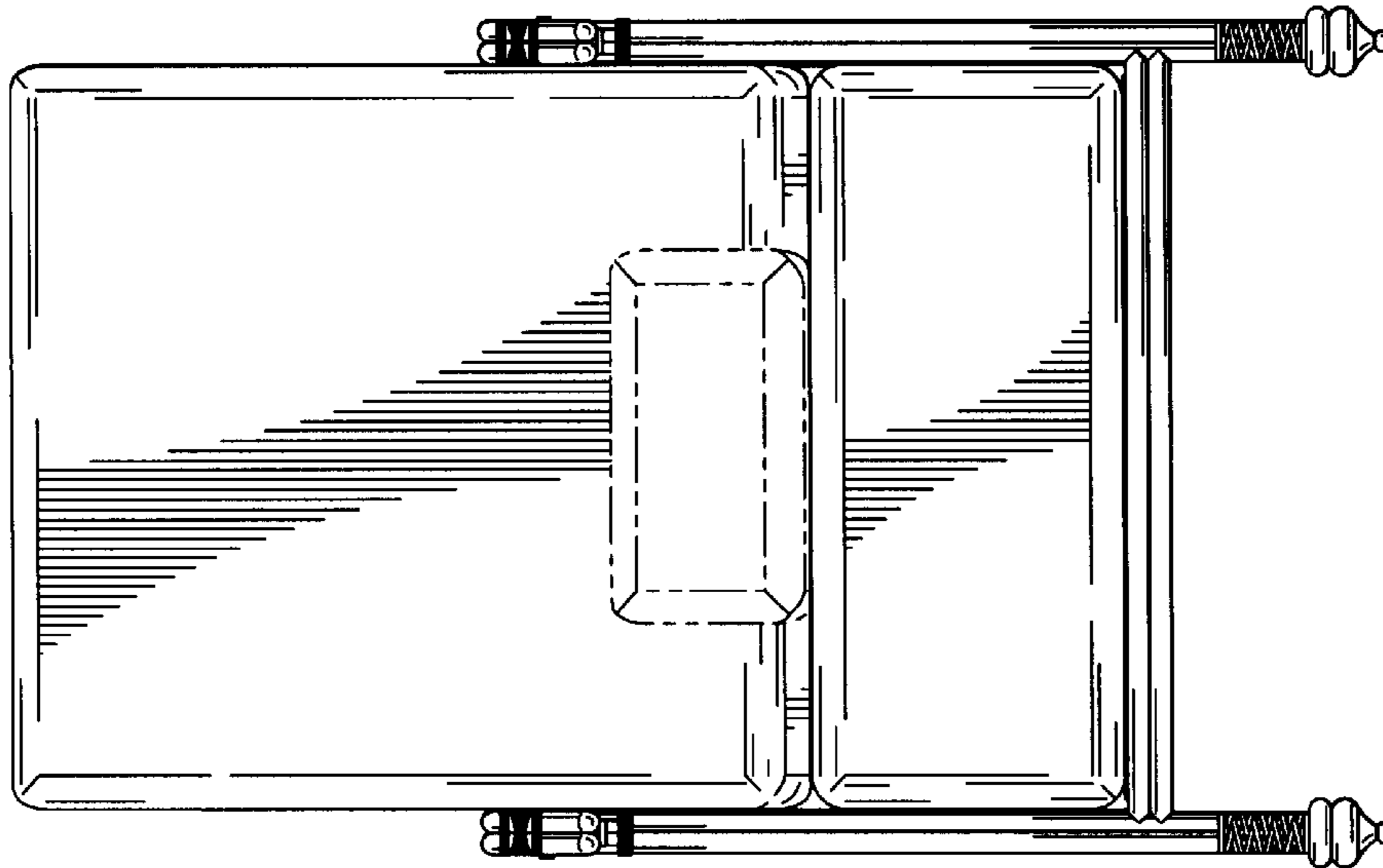


FIG. 2

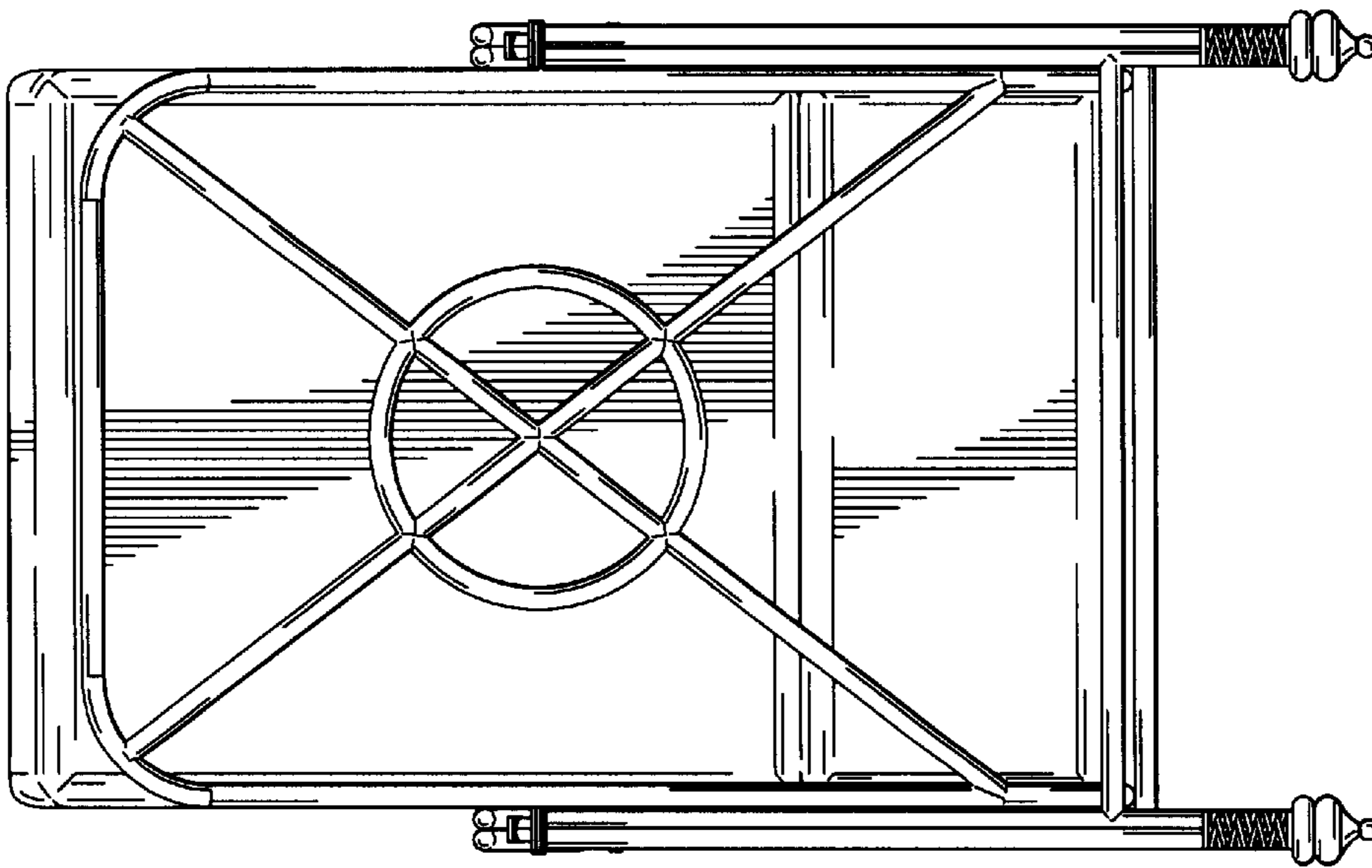


FIG. 4

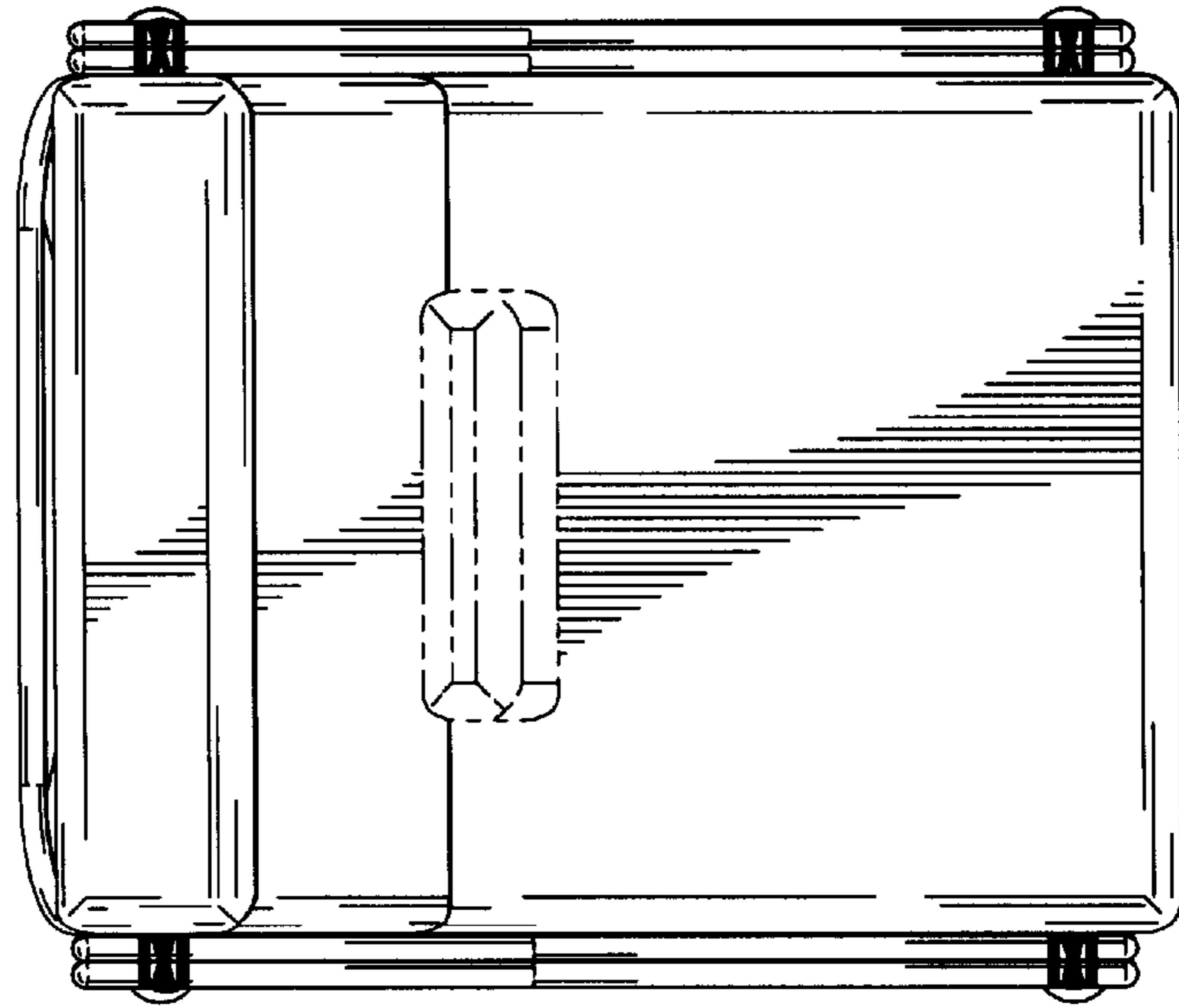


FIG. 5

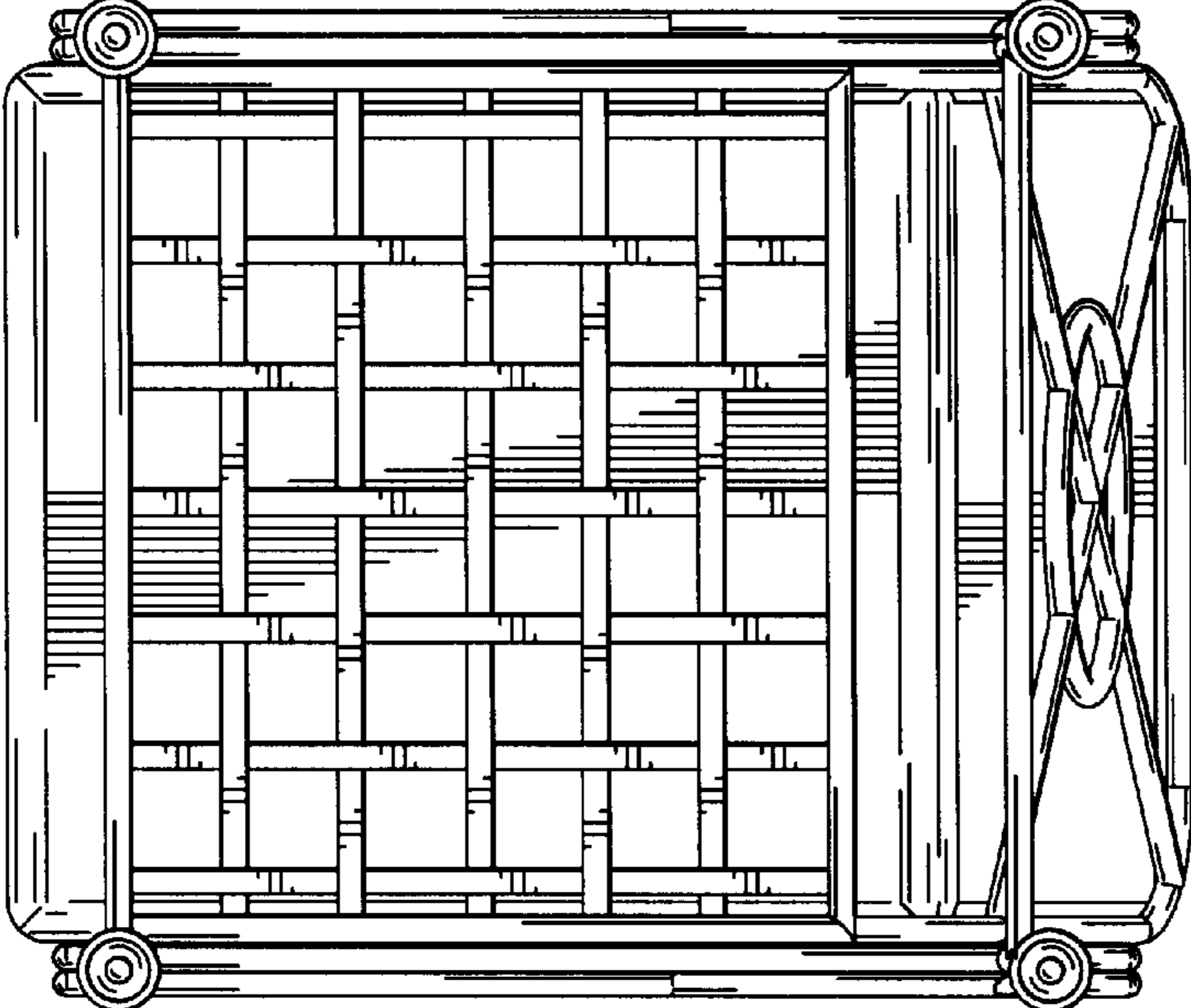


FIG. 6