

US00D513898S

(12) **United States Design Patent**
Frey

(10) **Patent No.: US D513,898 S**
(45) **Date of Patent: ** Jan. 31, 2006**

(54) **DINING CHAIR**

(76) Inventor: **Christian Frey**, Hopfenstrasse 11,
CH-8045 Zurich (CH)

(**) Term: **14 Years**

(21) Appl. No.: **29/217,071**

(22) Filed: **Nov. 12, 2004**

(51) **LOC (8) Cl. 06-01**

(52) **U.S. Cl. D6/368; D6/374; D6/380**

(58) **Field of Classification Search D6/334,**
D6/335, 368, 371, 373, 374, 375, 380, 500-502;
297/440.1, 440.13, 440.14

See application file for complete search history.

(56) **References Cited**

U.S. PATENT DOCUMENTS

D150,886 S	*	9/1948	Ross	D6/374
D166,660 S	*	5/1952	Curtis	D6/373
2,632,498 A	*	3/1953	Curtis	297/440.13
3,547,491 A	*	12/1970	Bovasso	297/440.13
3,788,700 A	*	1/1974	Wartes	297/440.13
4,140,065 A	*	2/1979	Chacon	297/440.14

4,188,067 A	*	2/1980	Elmer	297/440.13
D322,364 S	*	12/1991	Smith	D6/368
D361,441 S	*	8/1995	Goldstein	D6/374
5,765,922 A	*	6/1998	Hsia	297/440.1
D410,343 S	*	6/1999	Stead	D6/380
5,992,938 A	*	11/1999	Jones	297/440.13
6,109,695 A	*	8/2000	Kahwaji	297/440.13

* cited by examiner

Primary Examiner—Mimosa De

(57) **CLAIM**

The ornamental design for a dining chair, as shown.

DESCRIPTION

FIG. 1 is a top front perspective view of a dining chair showing my new design;

FIG. 2 is a front view thereof;

FIG. 3 is a right side view thereof;

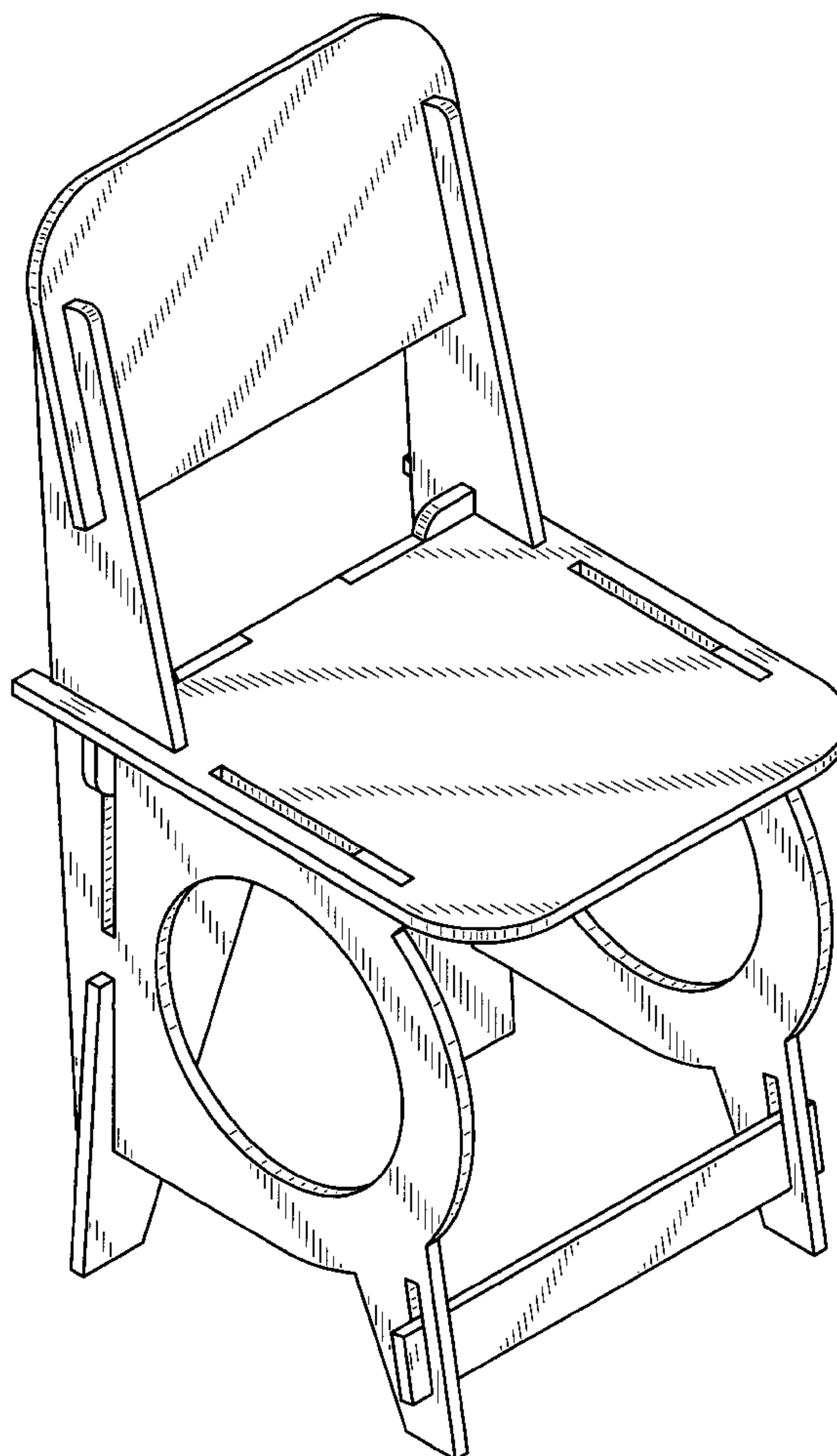
FIG. 4 is a left side view thereof;

FIG. 5 is a top view thereof;

FIG. 6 is a bottom view thereof; and,

FIG. 7 is a rear view thereof.

1 Claim, 6 Drawing Sheets



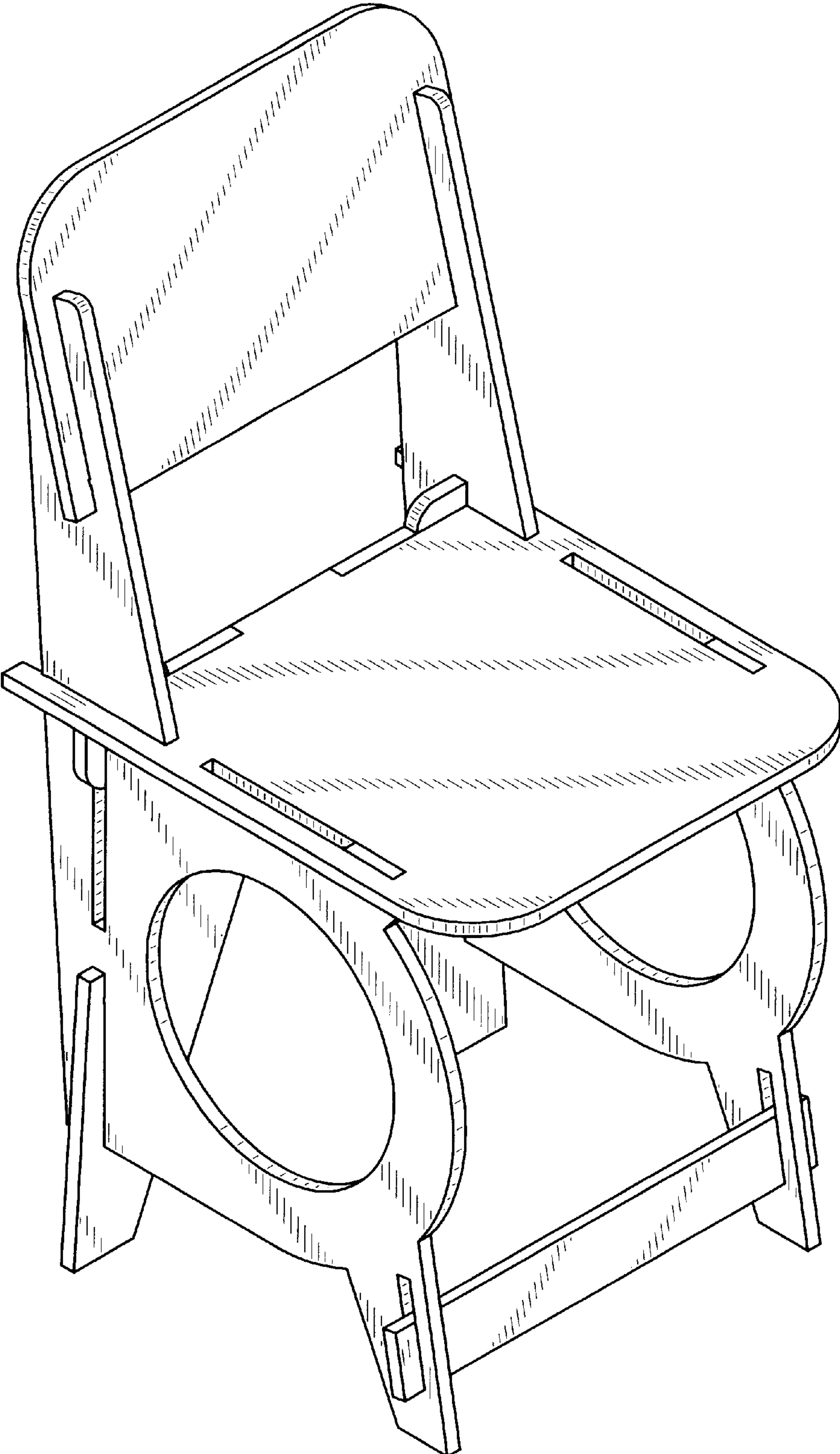


FIG. 1

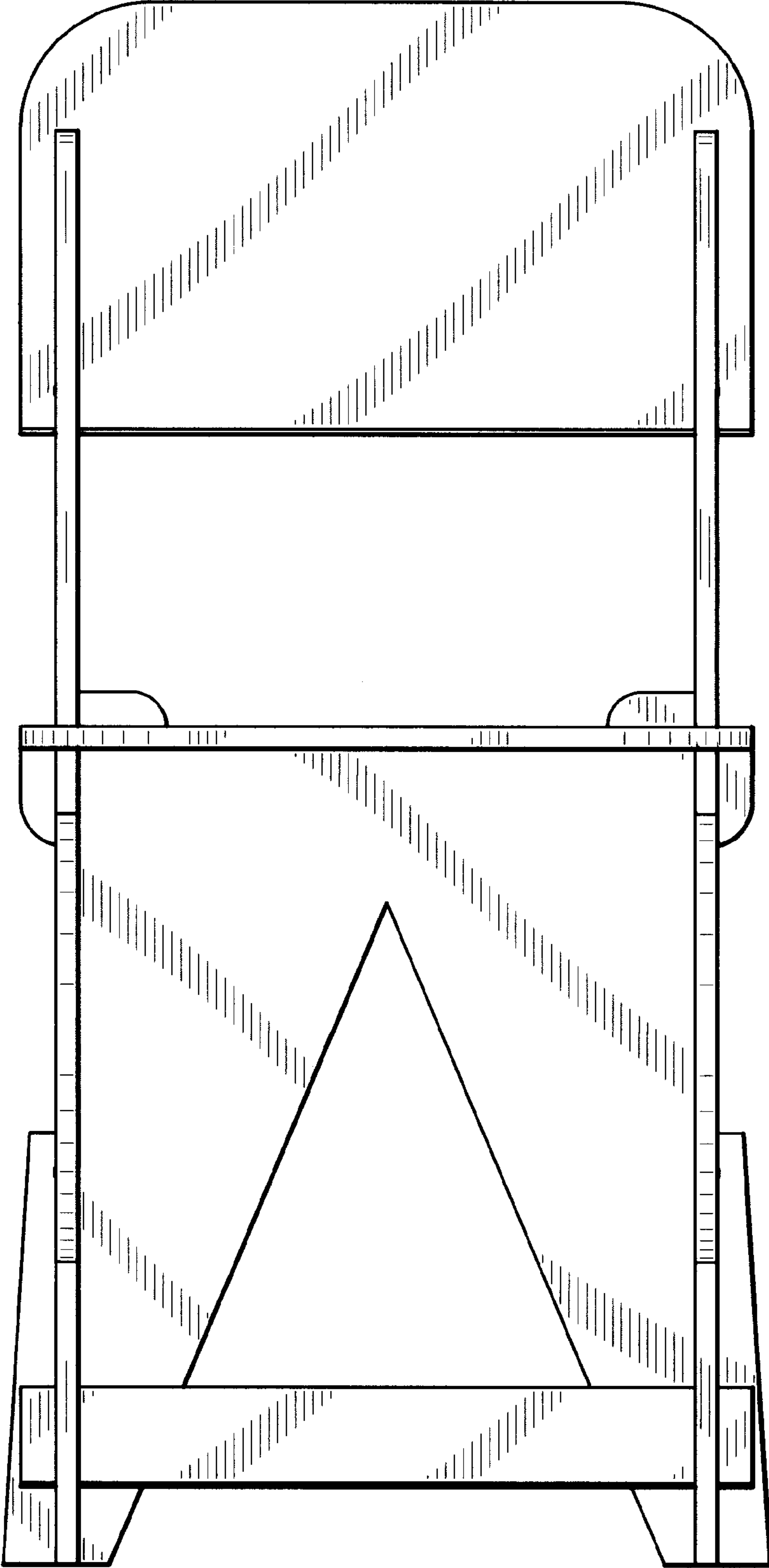


FIG. 2

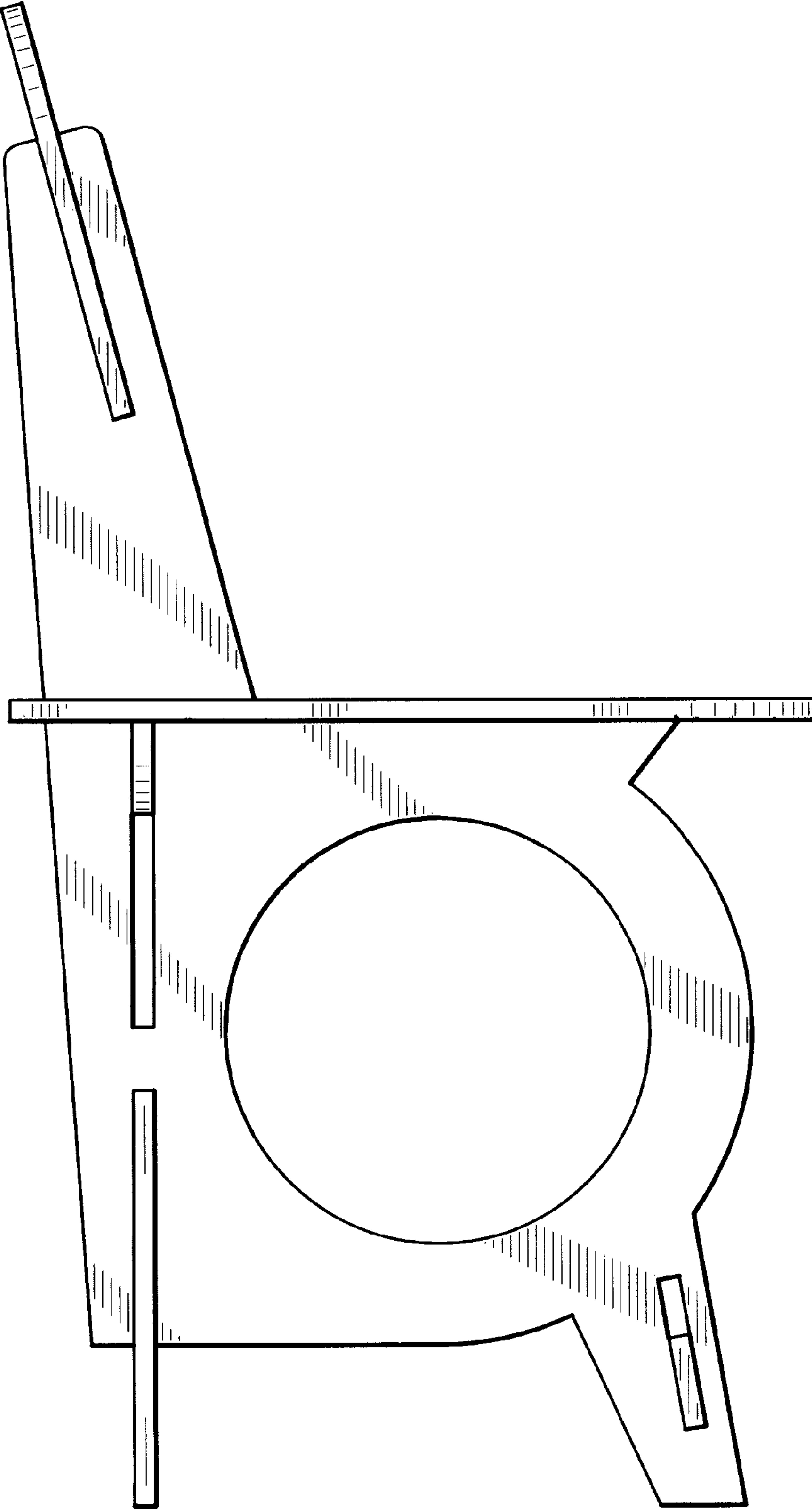


FIG. 3

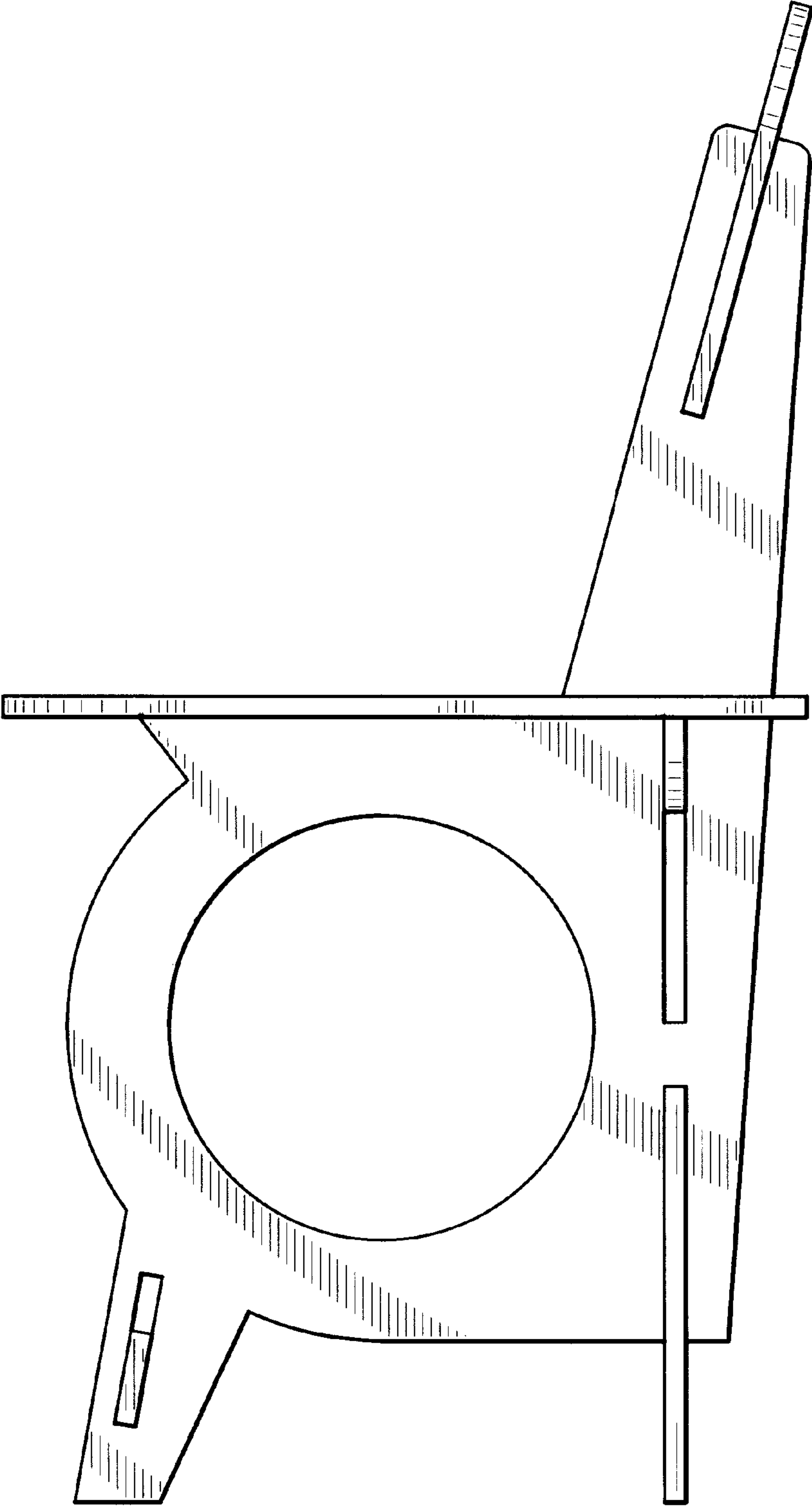


FIG. 4

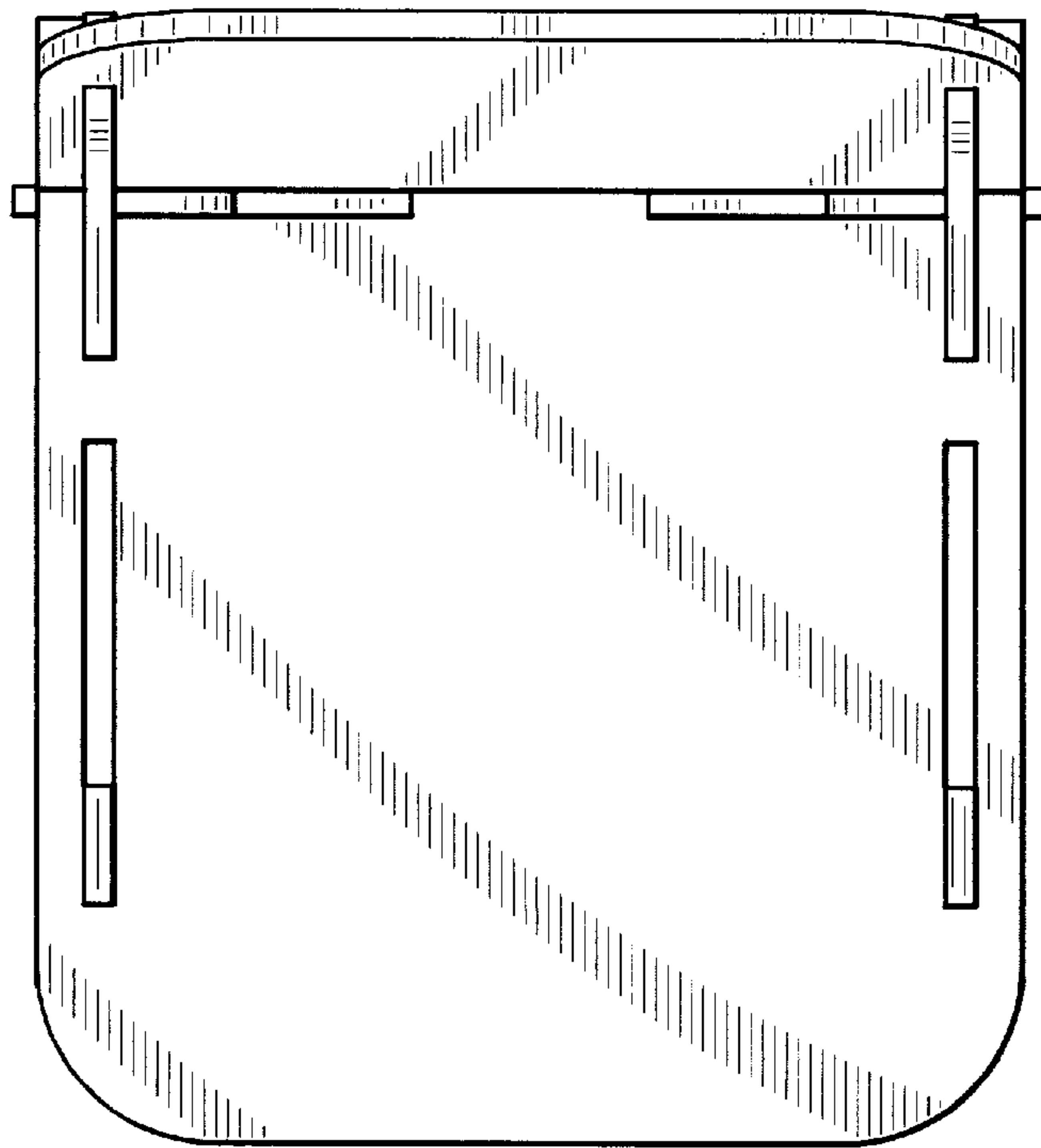


FIG. 5

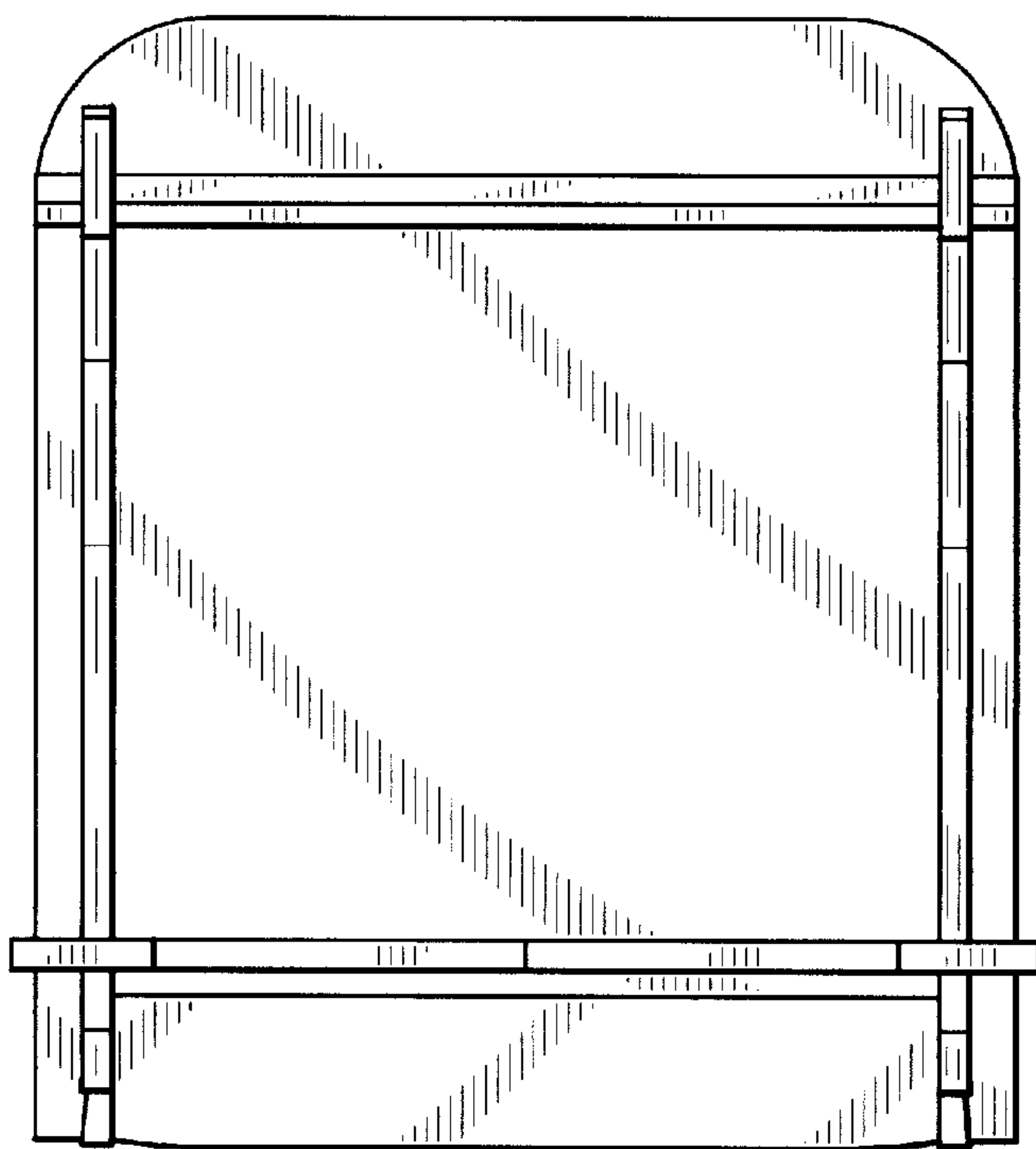


FIG. 6

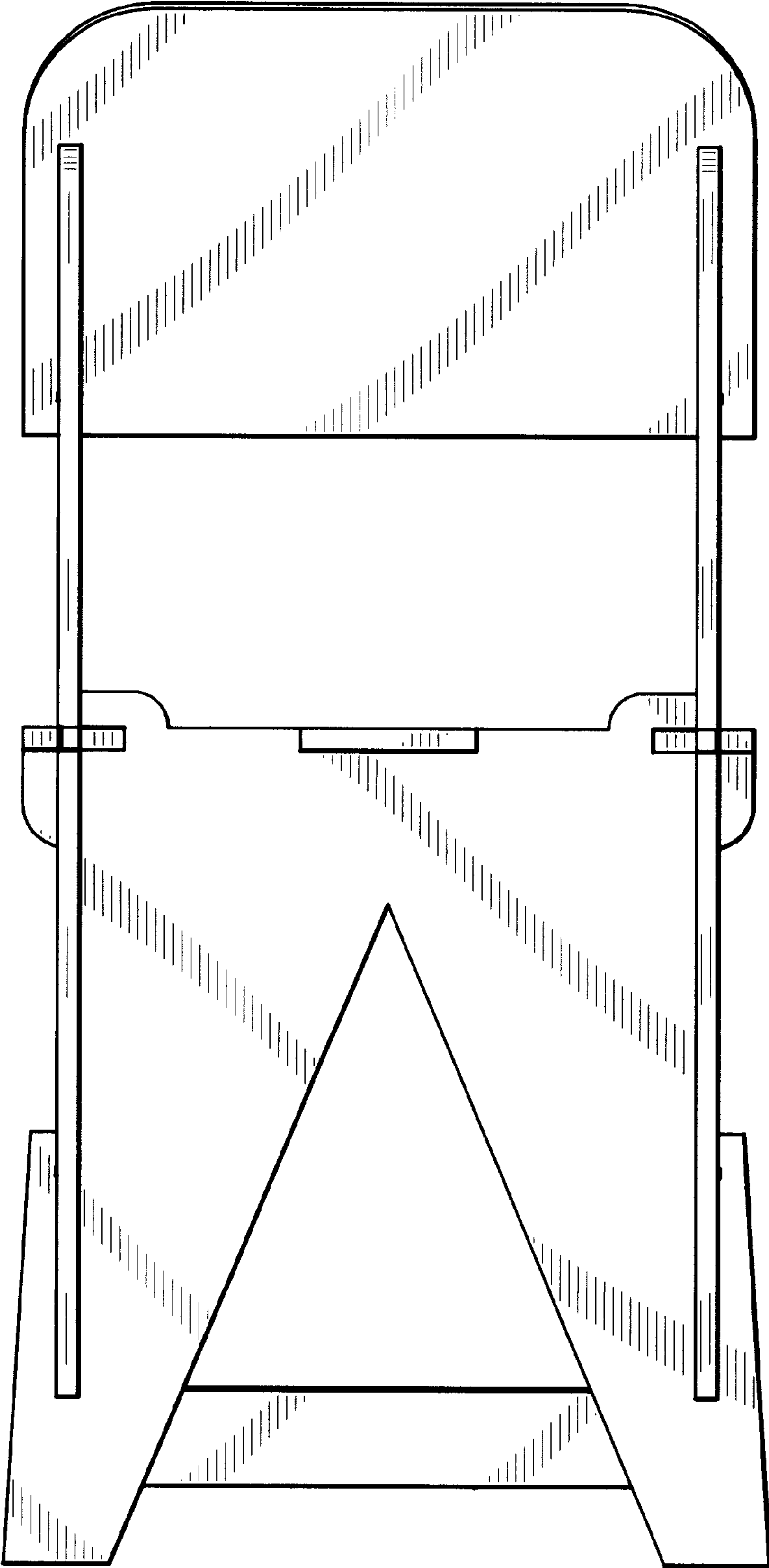


FIG. 7