



US00D513897S

(12) **United States Design Patent**
Plant et al.

(10) **Patent No.:** **US D513,897 S**
(45) **Date of Patent:** **** Jan. 31, 2006**

(54) **CHAIR**

(75) Inventors: **Russell Plant**, London (GB); **Kevin Paquet**, Biddeford, ME (US)

(73) Assignee: **Hussey Seating Company**, North Berwick, ME (US)

(**) Term: **14 Years**

(21) Appl. No.: **29/204,873**

(22) Filed: **May 6, 2004**

(51) **LOC (8) Cl.** **06-01**

(52) **U.S. Cl.** **D6/368**

(58) **Field of Classification Search** D6/334-336,
D6/368, 374, 375, 376, 379, 381, 502; 297/232,
297/311, 331, 335, 344.22, 354.1, 248, 411.44
See application file for complete search history.

(56) **References Cited**

U.S. PATENT DOCUMENTS

3,655,239	A	*	4/1972	Agosti	297/331
D228,104	S	*	8/1973	Blodee	D6/368
4,850,159	A	*	7/1989	Conner	297/248
D352,400	S	*	11/1994	Yamazaki	D6/335
D370,791	S	*	6/1996	Yamazaki	D6/368
D386,320	S	*	11/1997	King	D6/368
D426,967	S	*	6/2000	King	D6/368
D439,428	S	*	3/2001	Mizuno	D6/368
D447,642	S	*	9/2001	Kimura	D6/368
D455,568	S	*	4/2002	Leng et al.	D6/368
6,523,900	B1	*	2/2003	Conner et al.	297/332
D482,884	S	*	12/2003	Plant et al.	D6/368
D483,194	S	*	12/2003	Plant et al.	D6/368
2004/0100134	A1	*	5/2004	Plant et al.	297/331
2005/0017558	A1	*	1/2005	Fewchuk	297/335

* cited by examiner

Primary Examiner—Mimosa De

(74) *Attorney, Agent, or Firm*—Burns, Doane, Swecker & Mathis, LLP

(57) **CLAIM**

The ornamental design for a chair, as shown and described.

DESCRIPTION

FIG. 1 is a perspective view of a first embodiment of a chair showing our new design;

FIG. 2 is a right elevational view of the first embodiment of the chair with the seat bottom folded down, the left elevational view being a mirror image;

FIG. 3 is a top plan view of the first embodiment of the chair with the seat bottom folded down;

FIG. 4 is a front elevational view of the first embodiment of the chair with the seat bottom folded down;

FIG. 5 is a rear elevational view of the first embodiment of the chair;

FIG. 6 is a front elevational view of the first embodiment of the chair with the seat bottom folded up;

FIG. 7 is a right elevational view of the first embodiment of the chair with the seat bottom folded up, the left elevational view being a mirror image;

FIG. 8 is a perspective view of a second embodiment of a chair showing our new design;

FIG. 9 is a right elevational view of FIG. 8, the left side elevational view being the mirror image;

FIG. 10 is a top plan view of FIG. 8;

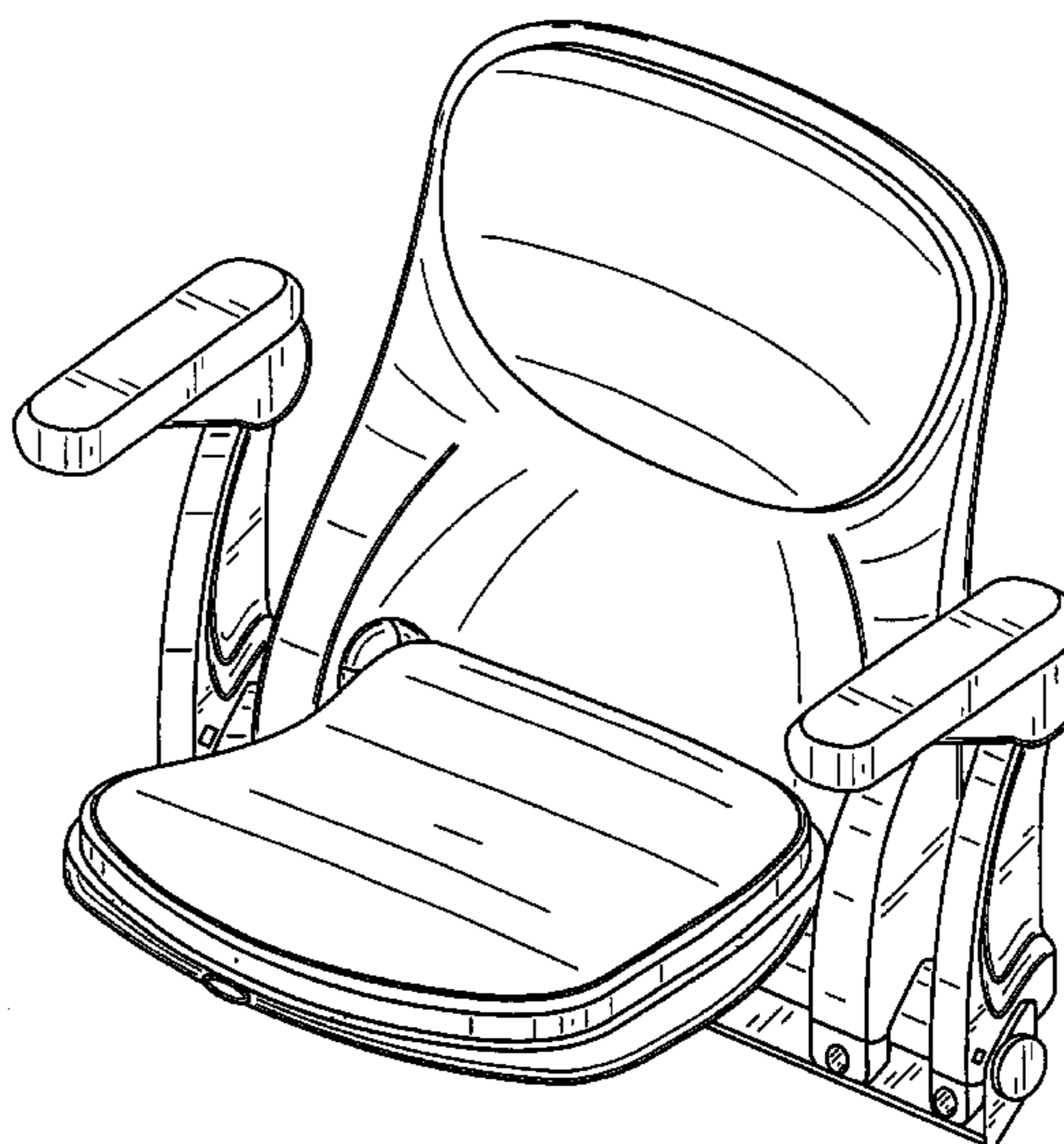
FIG. 11 is a front elevational view of FIG. 8;

FIG. 12 is a rear elevational view of FIG. 8;

FIG. 13 is another front elevational view of FIG. 8 with the seat bottom folded up; and,

FIG. 14 is a right elevational view of FIG. 13, the left side elevational view being the mirror image.

1 Claim, 14 Drawing Sheets



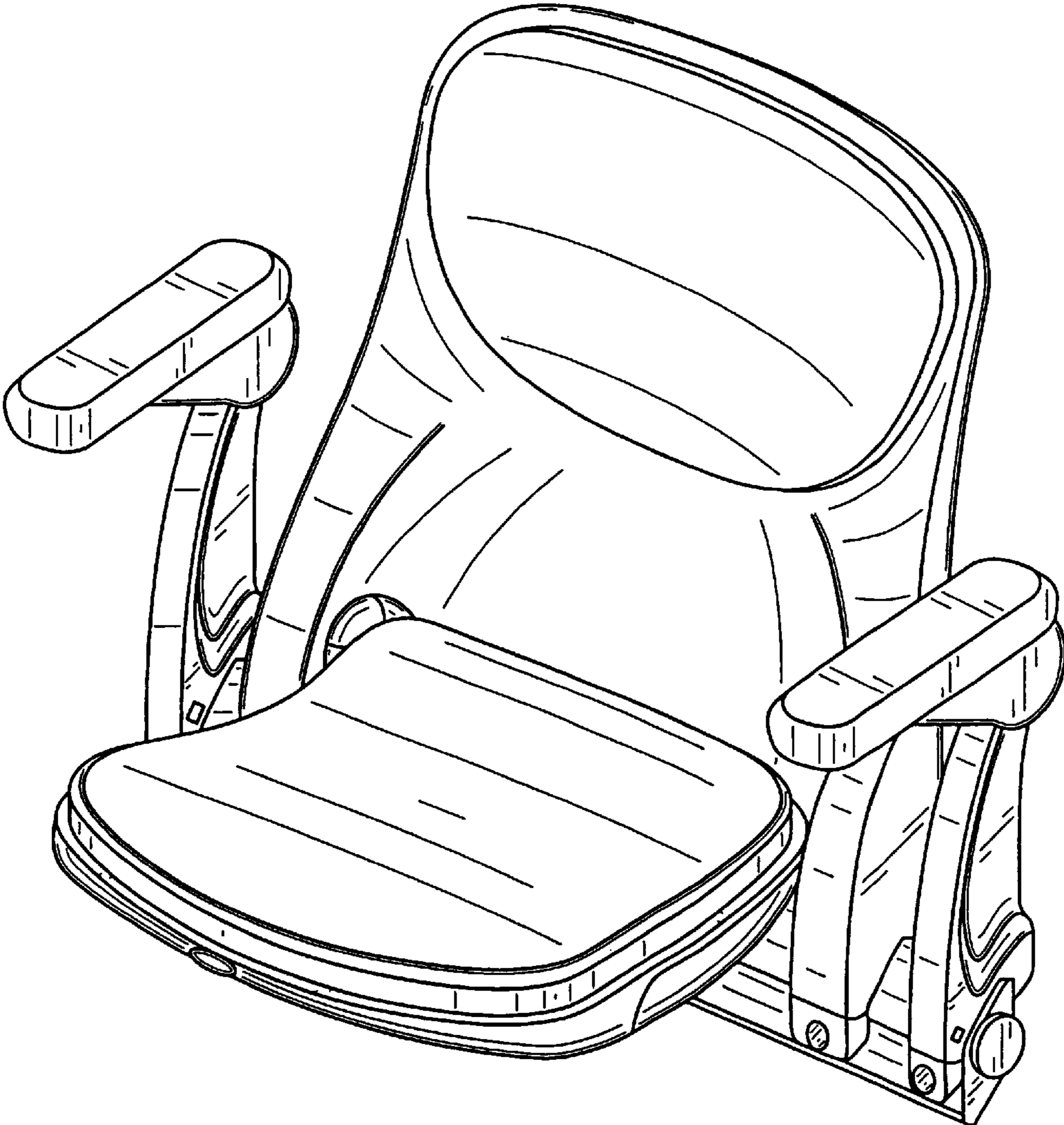


FIG. 1

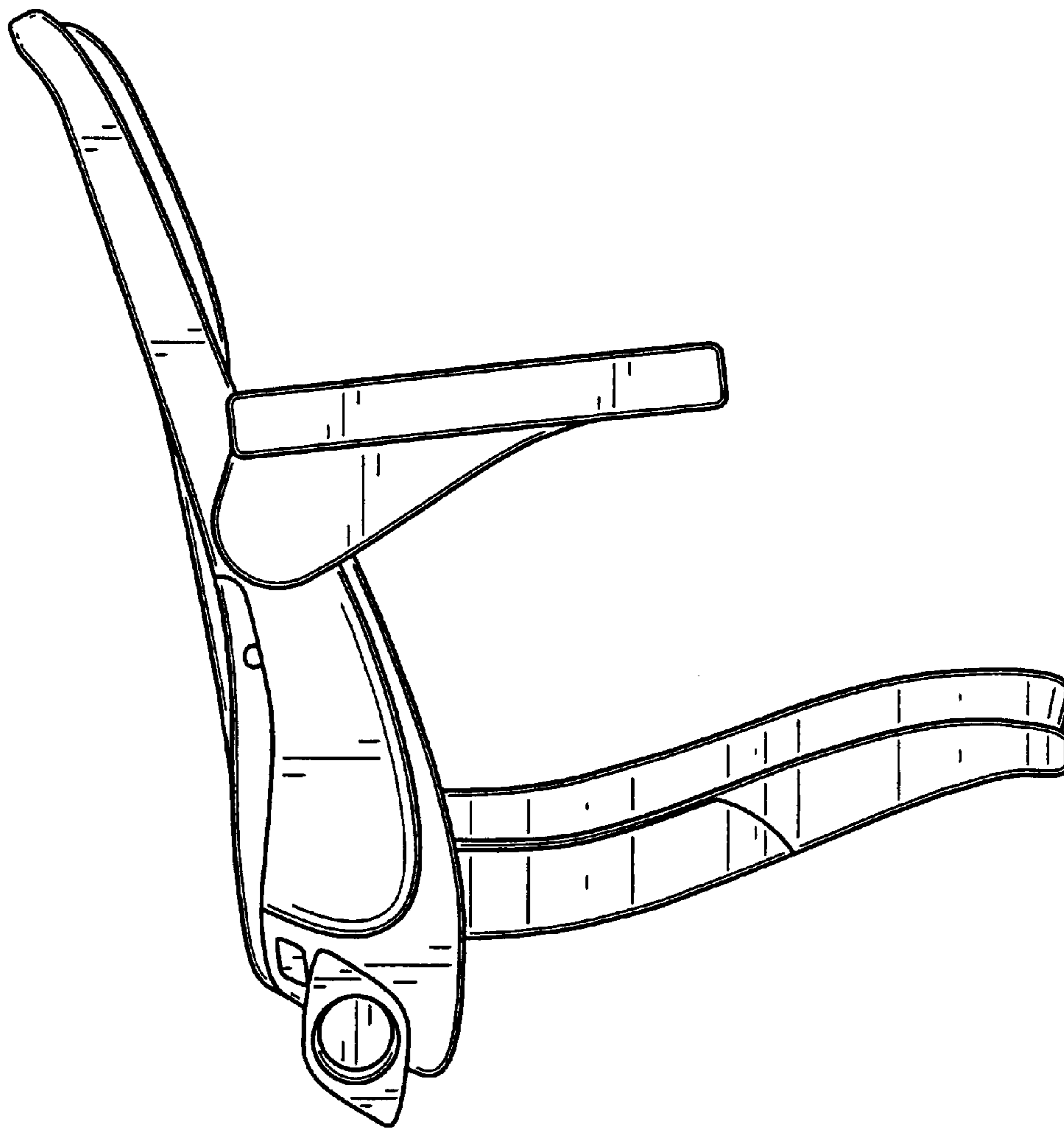


FIG. 2

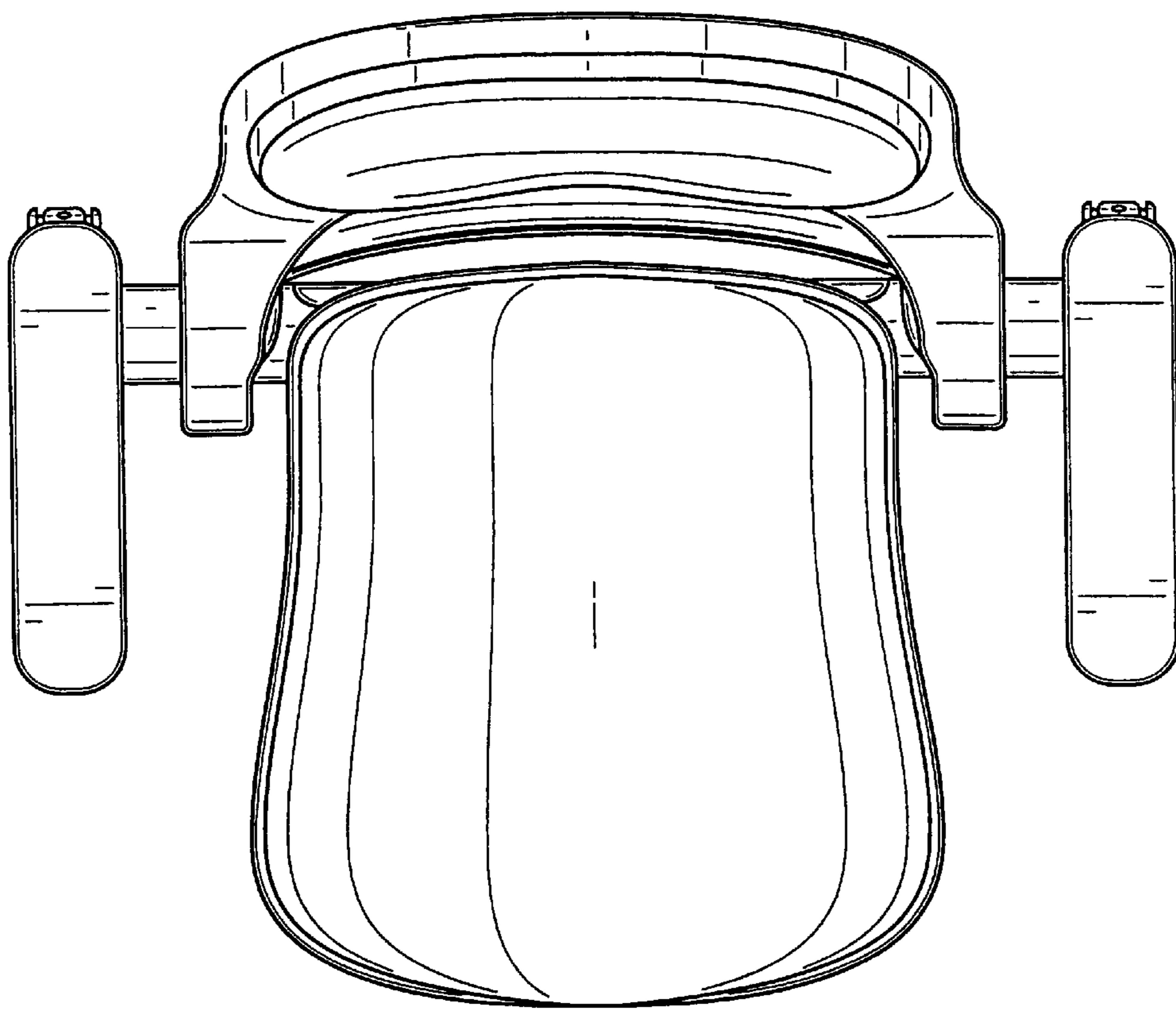


FIG. 3

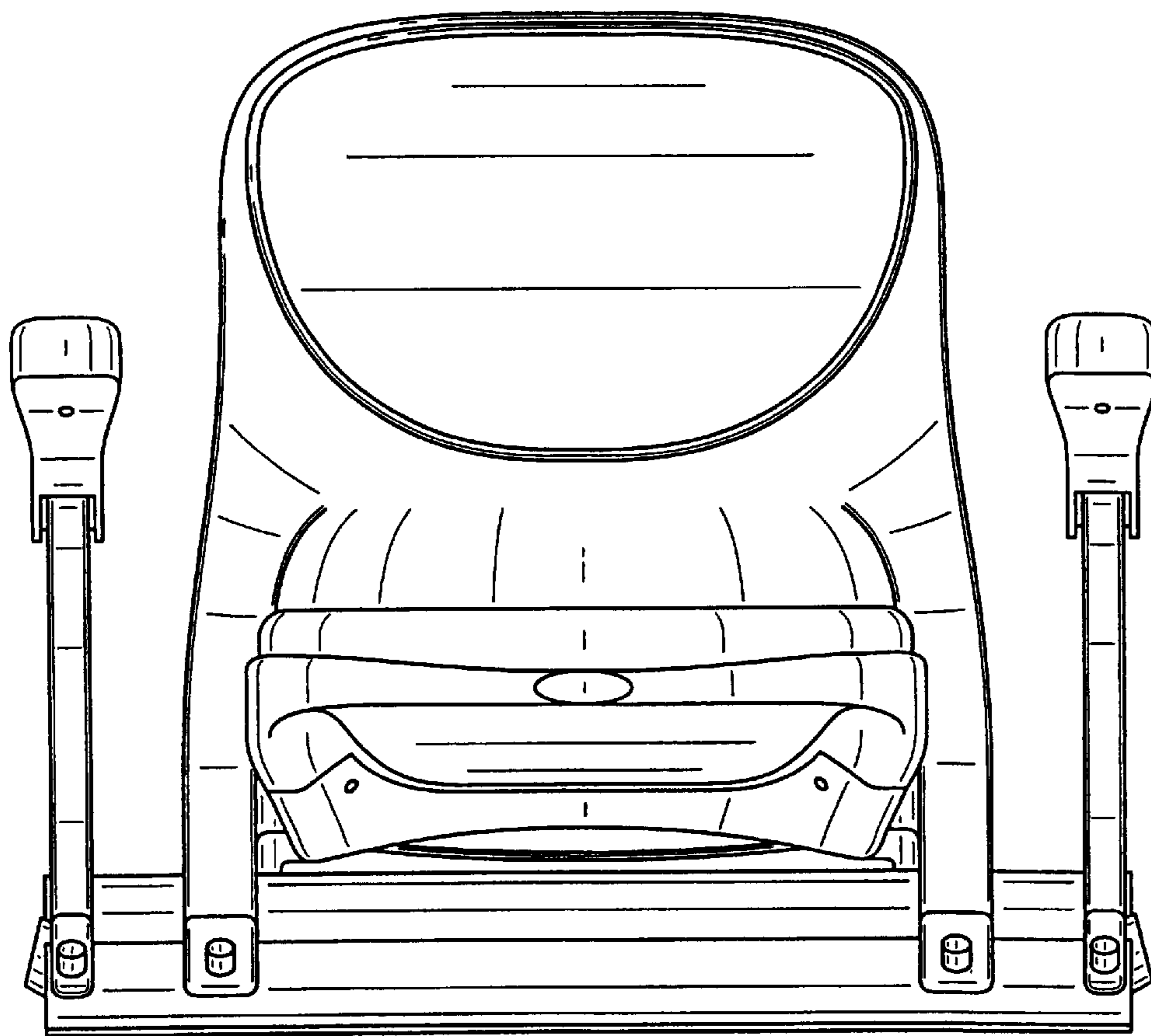


FIG. 4

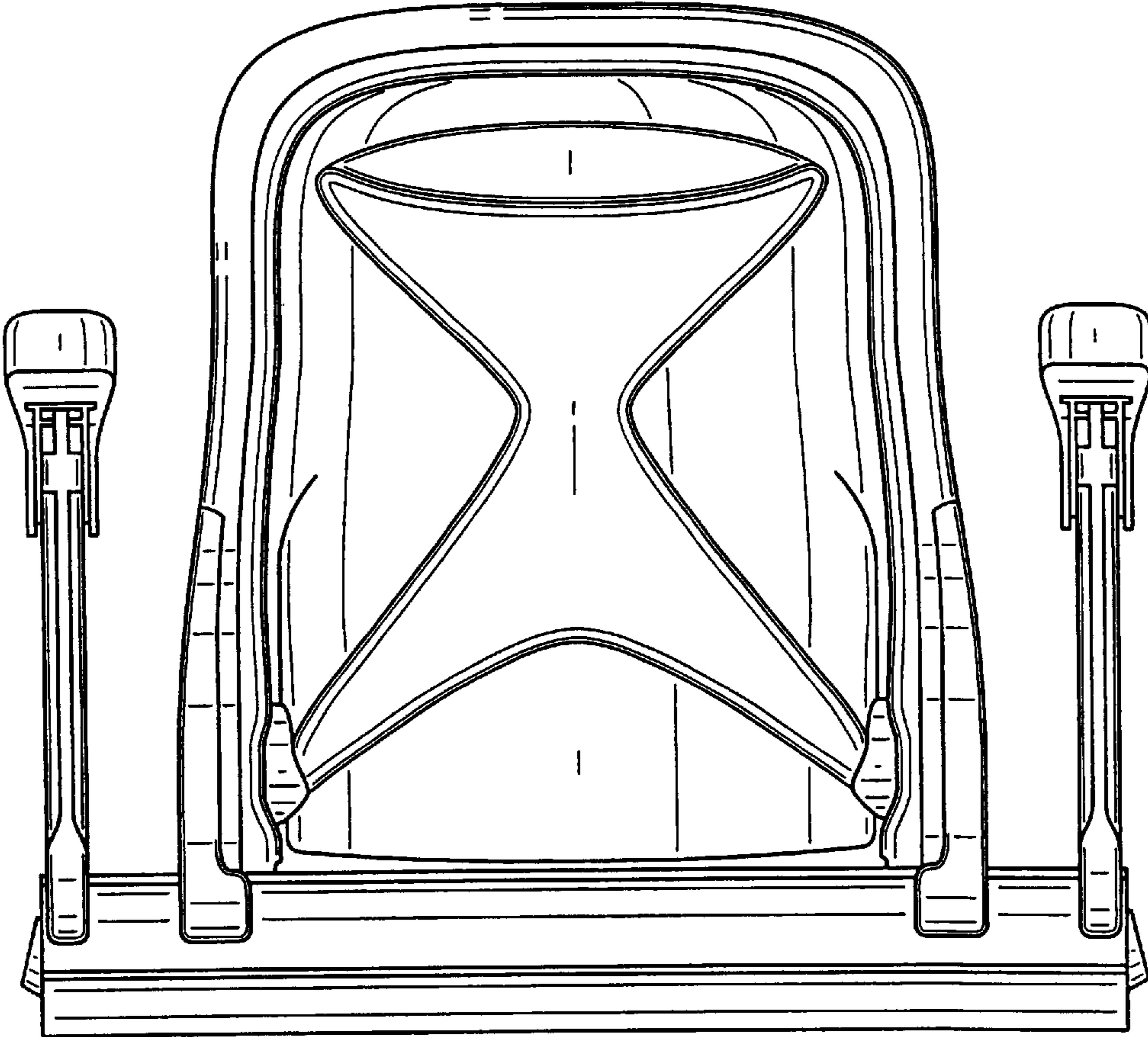


FIG. 5

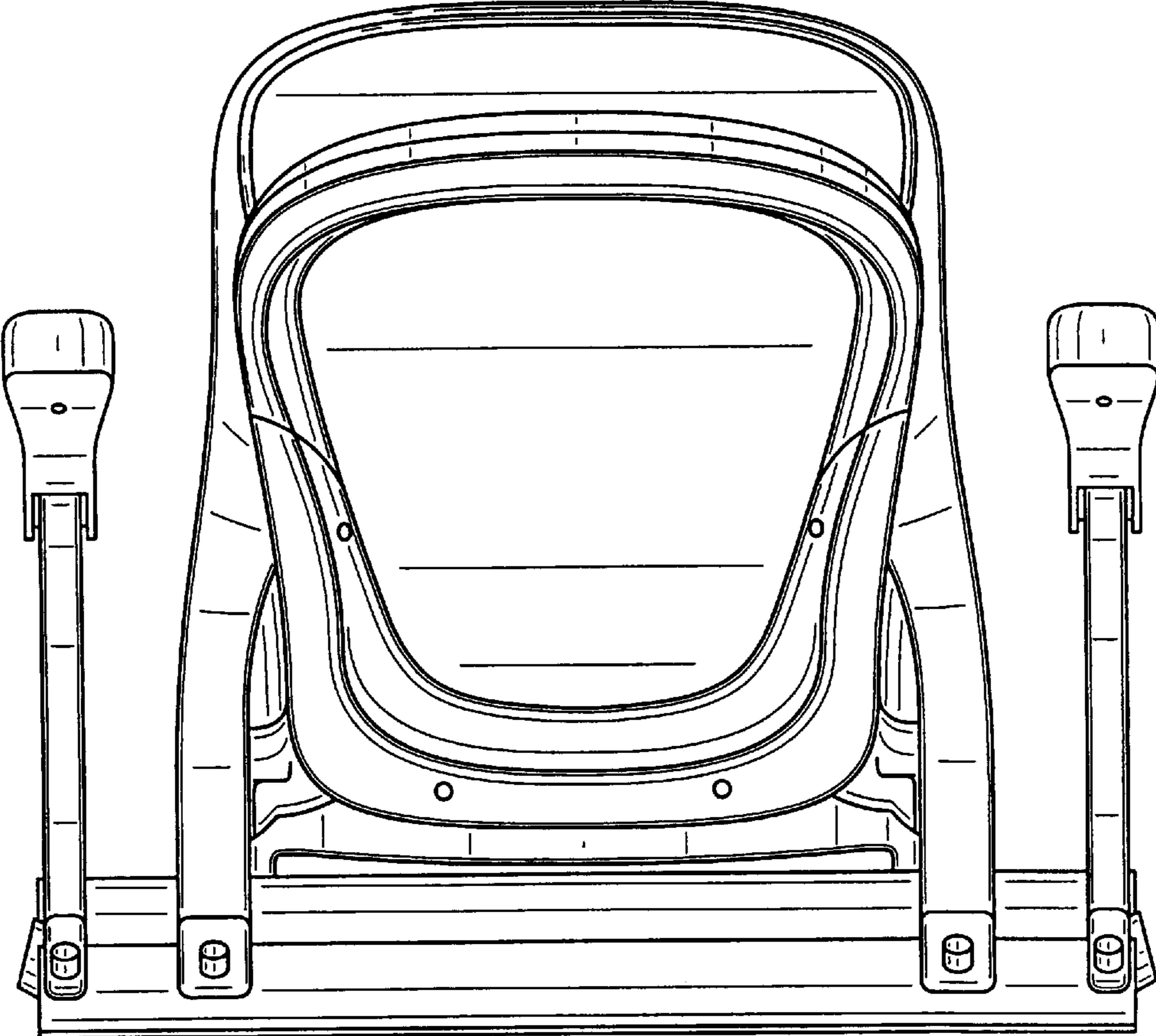


FIG. 6

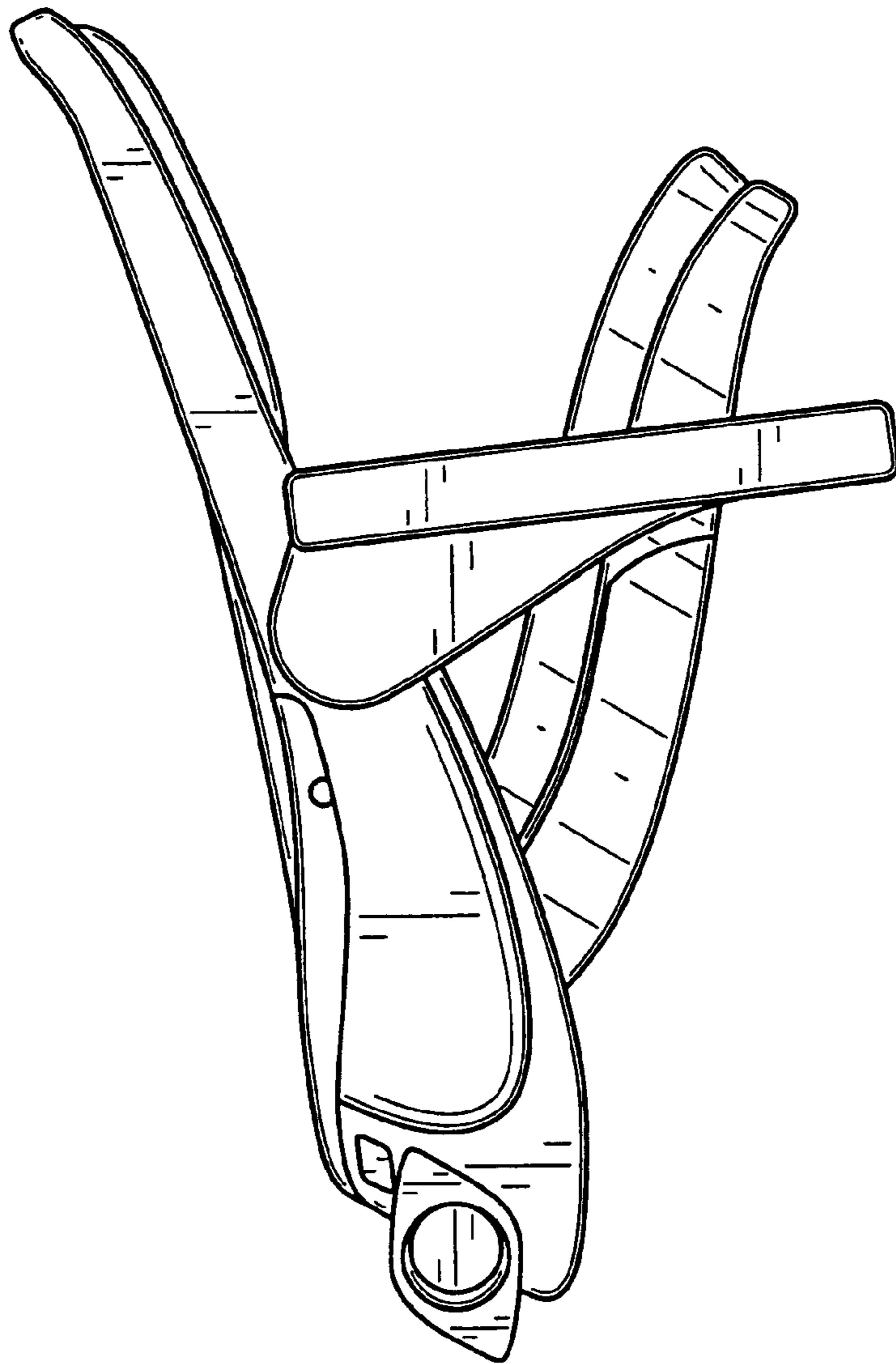


FIG. 7

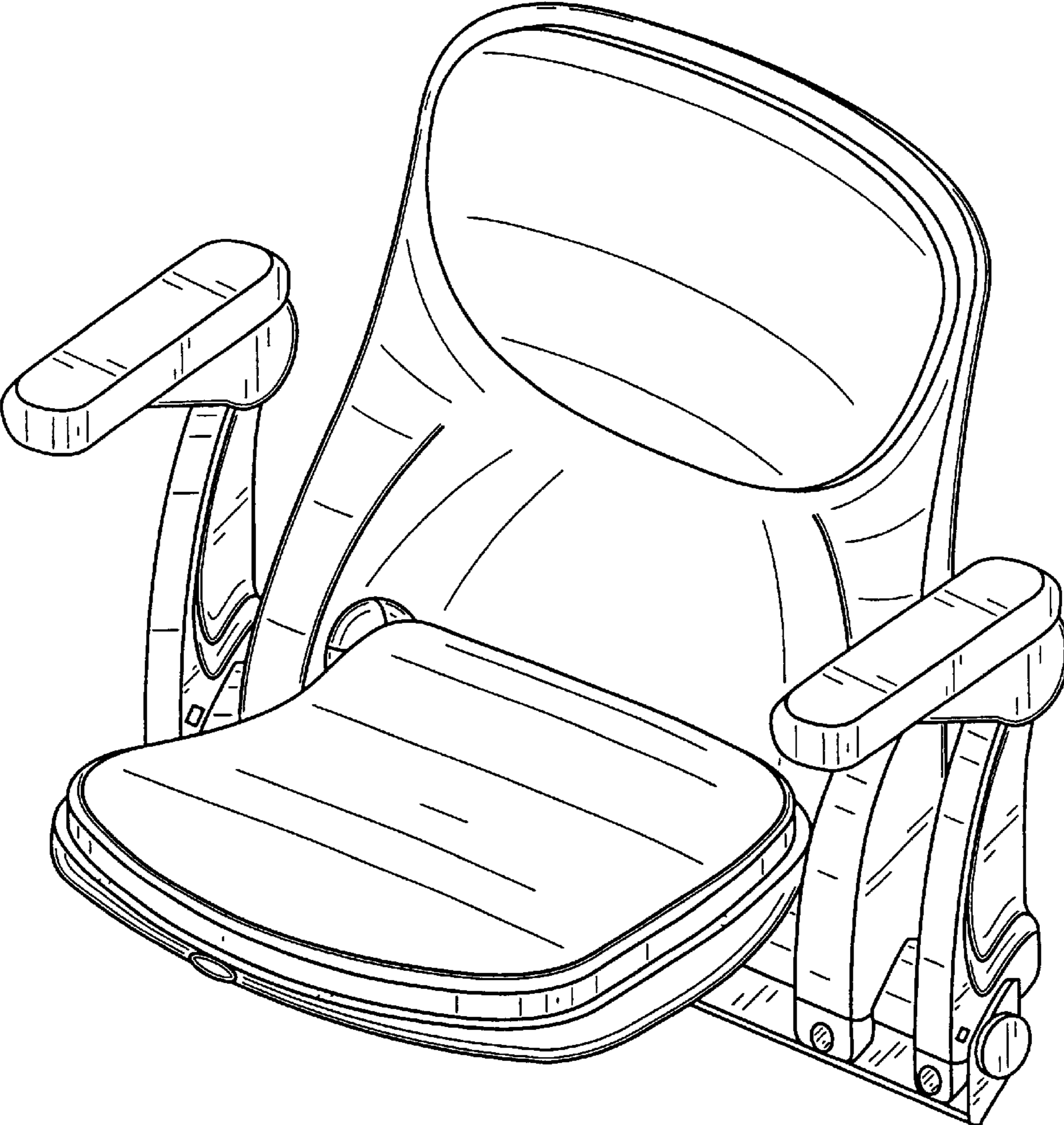


FIG. 8

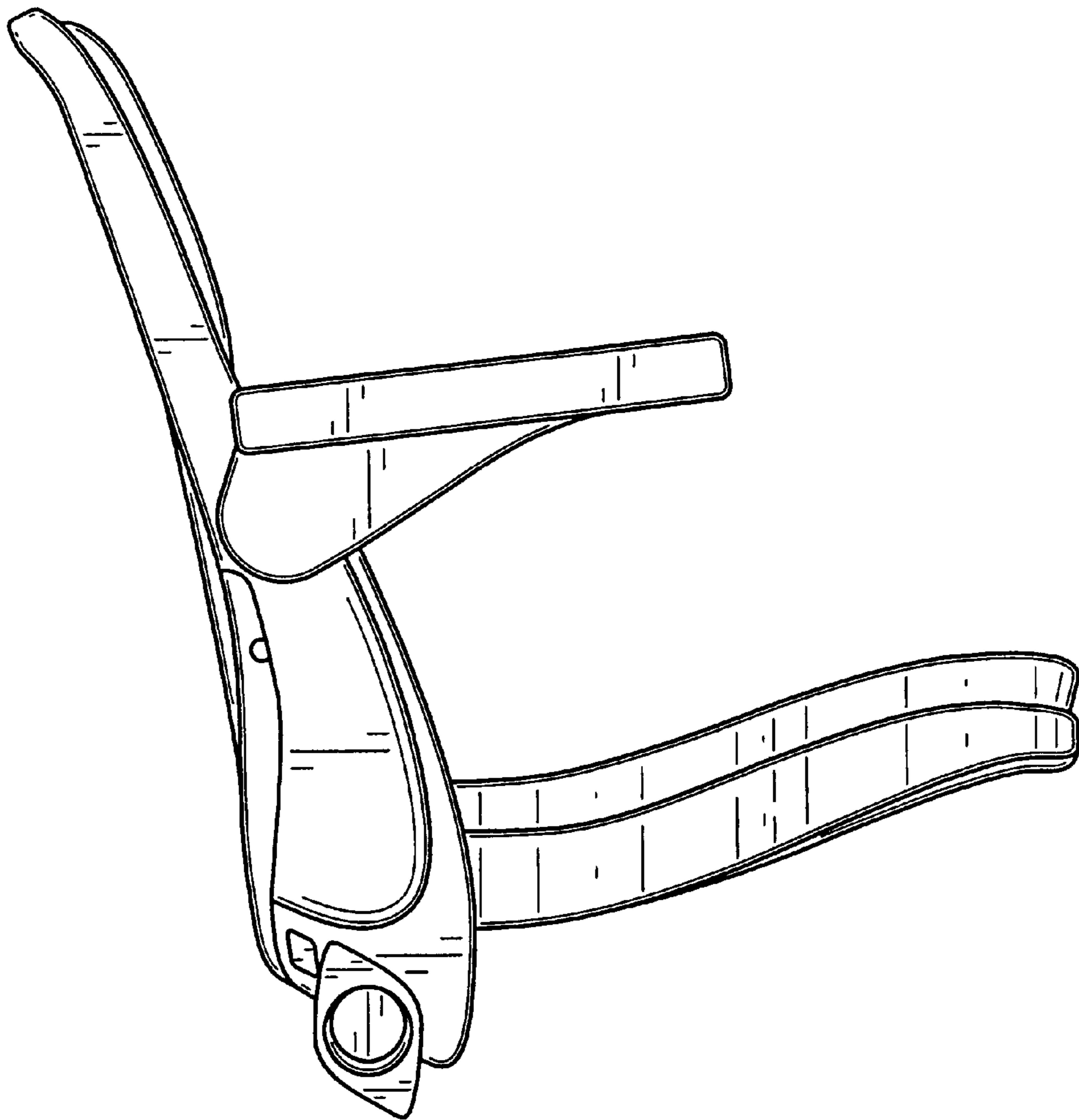


FIG. 9

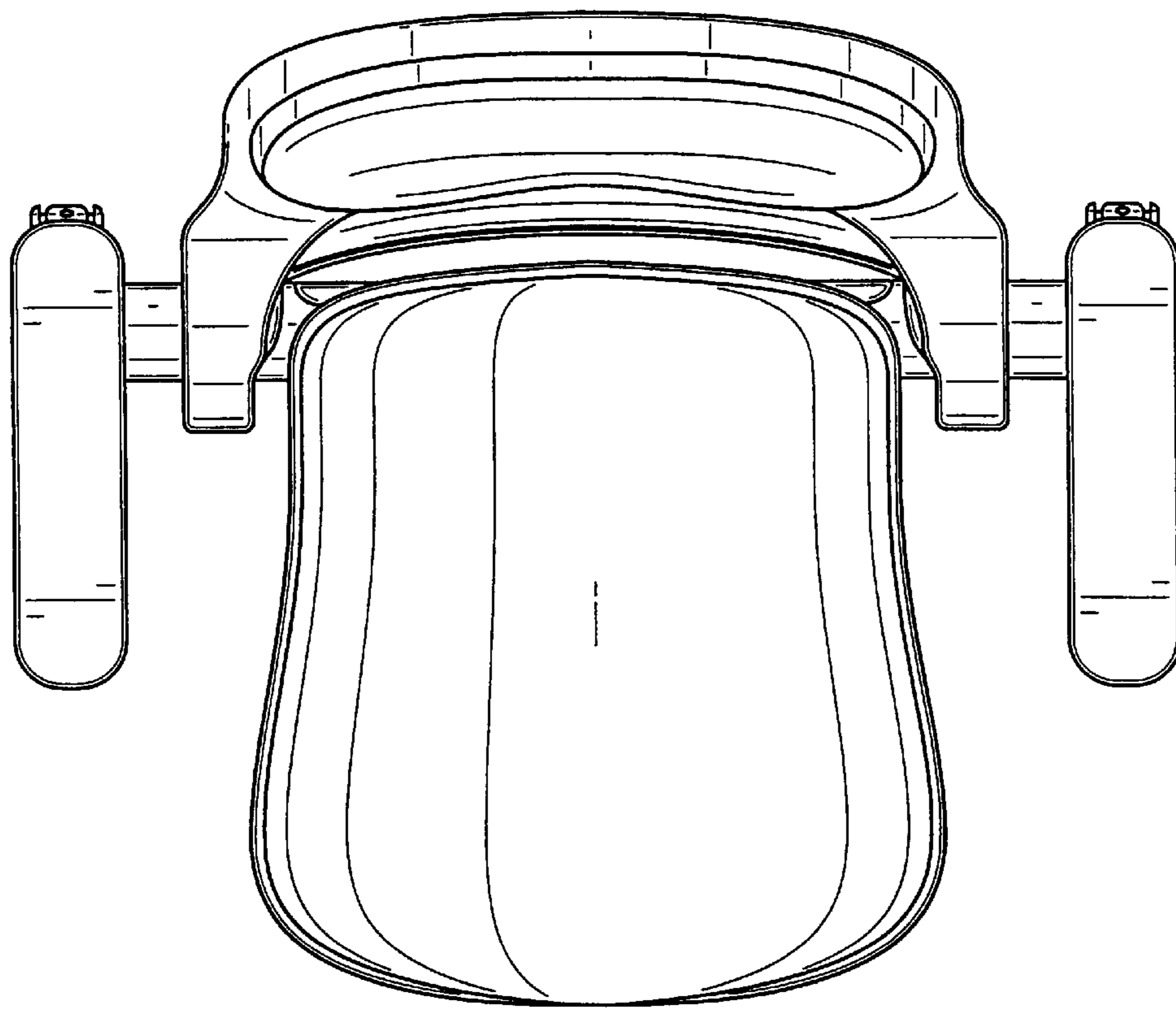


FIG. 10

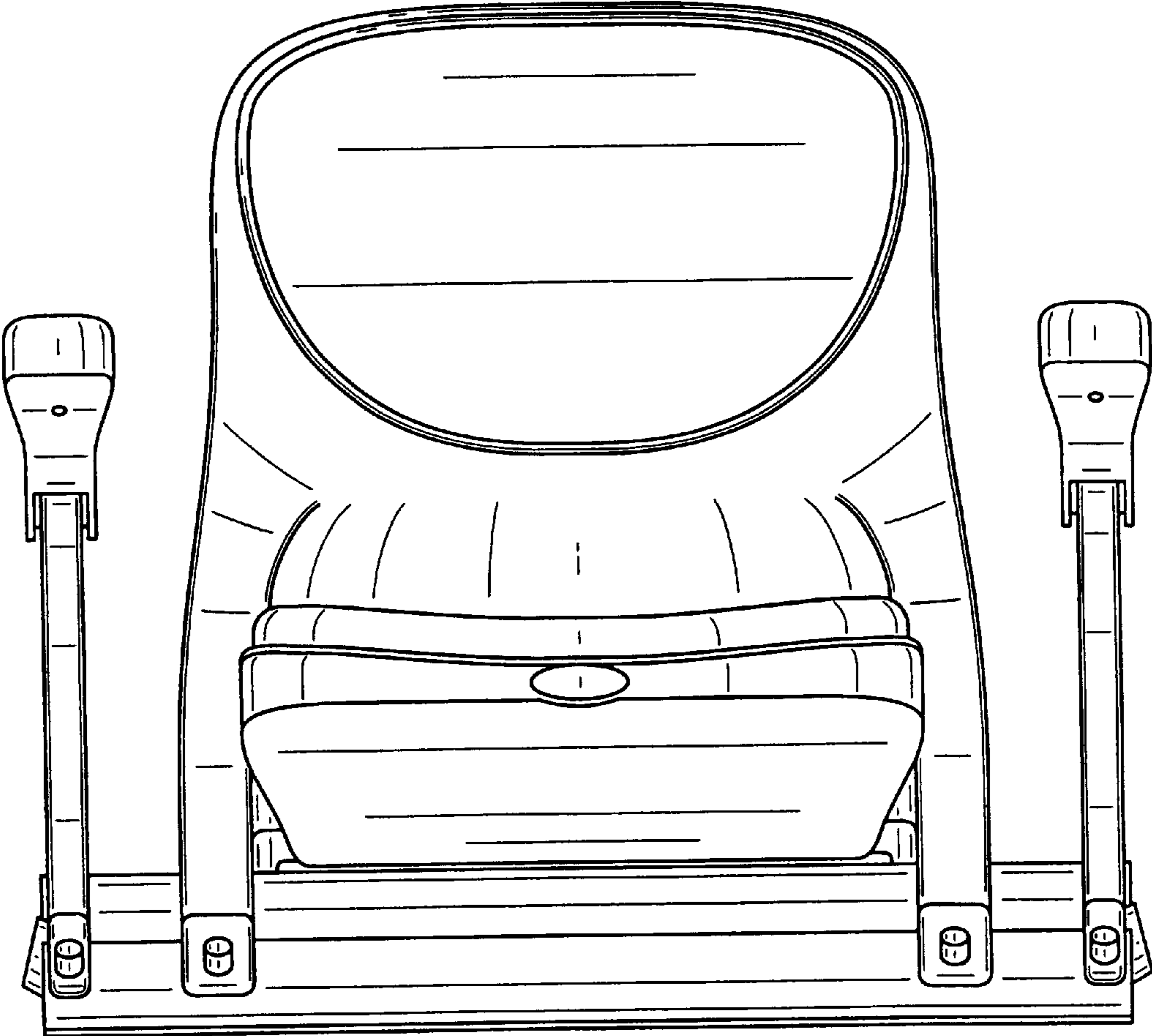


FIG. 11

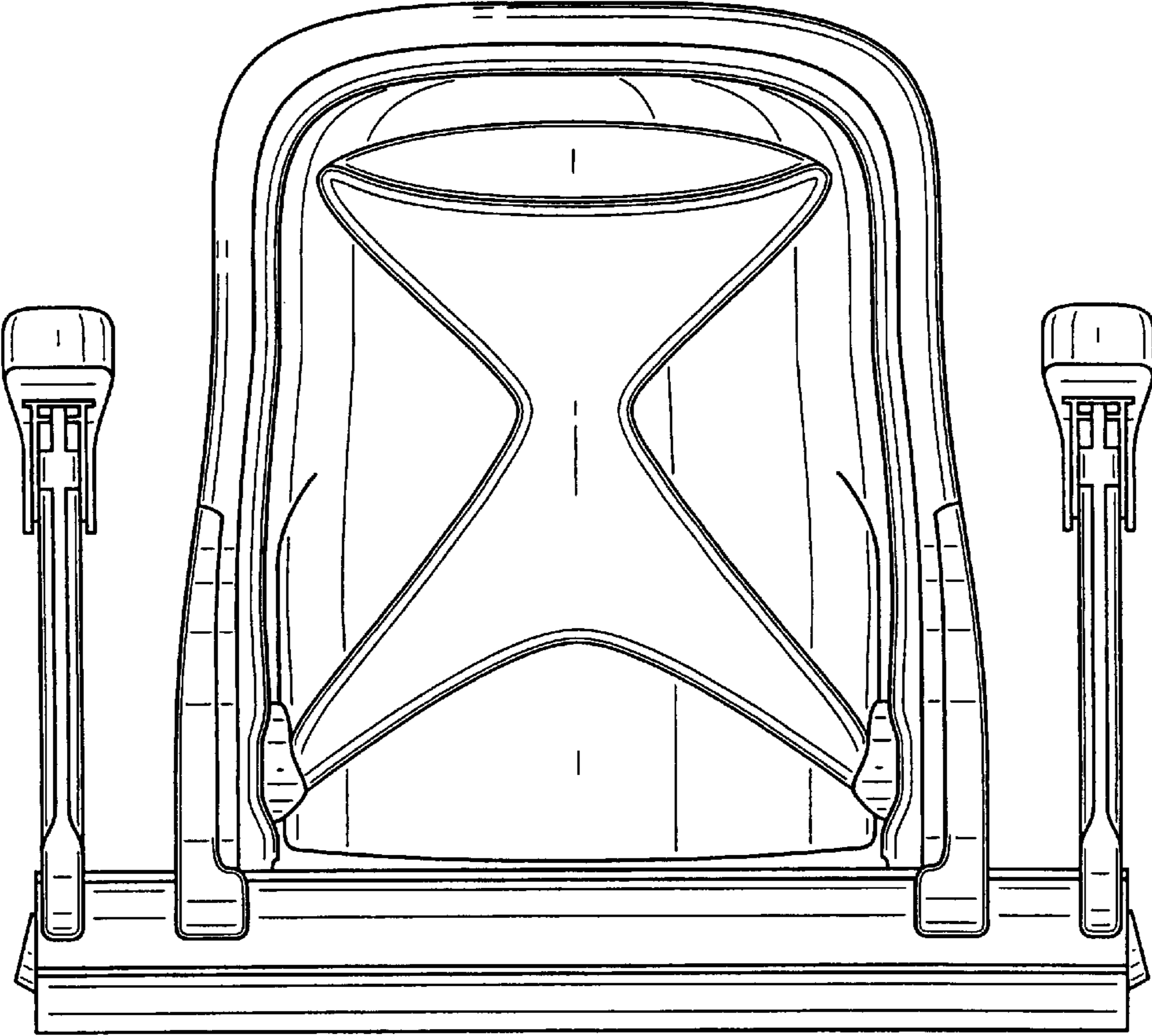


FIG. 12

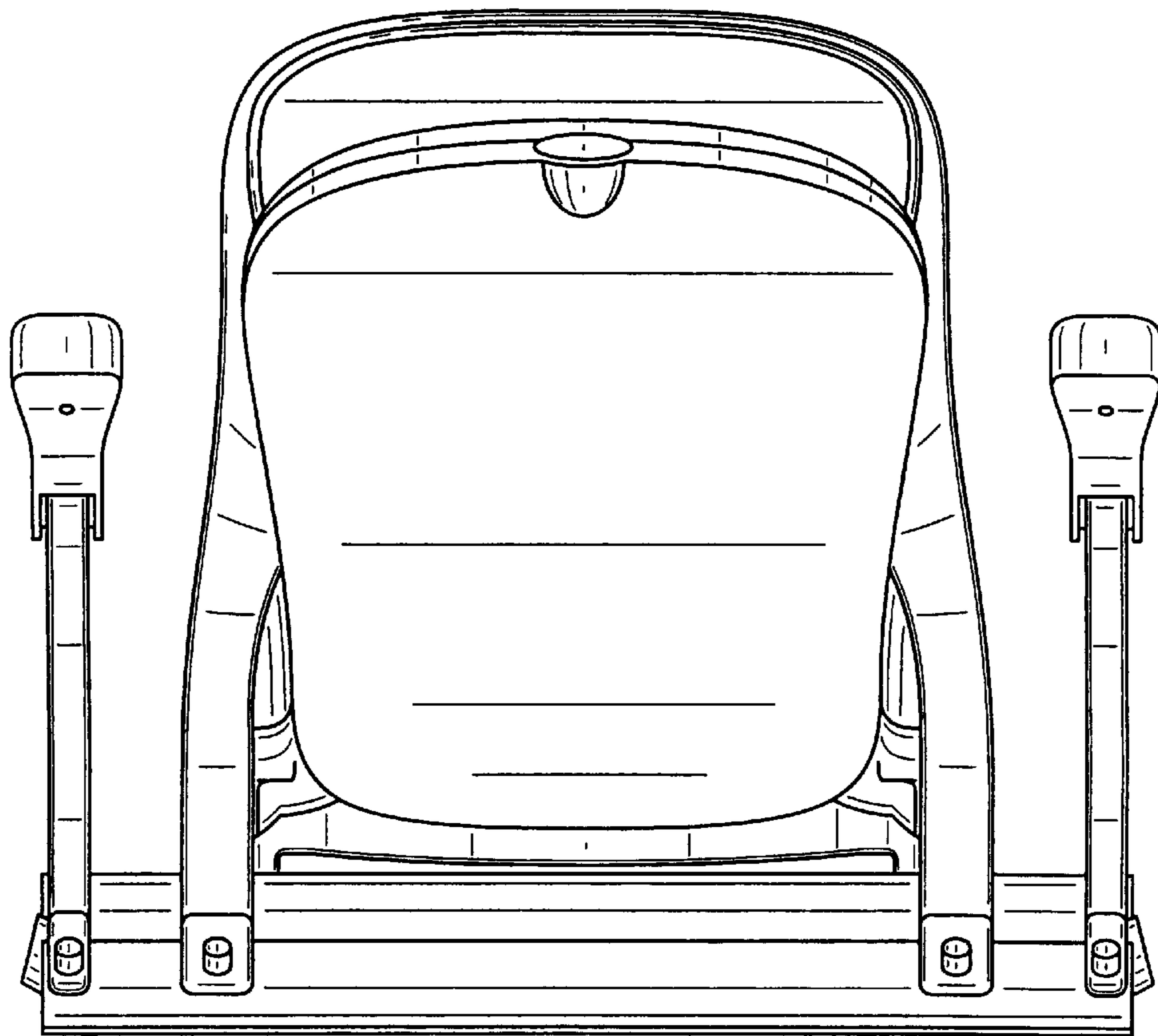


FIG. 13

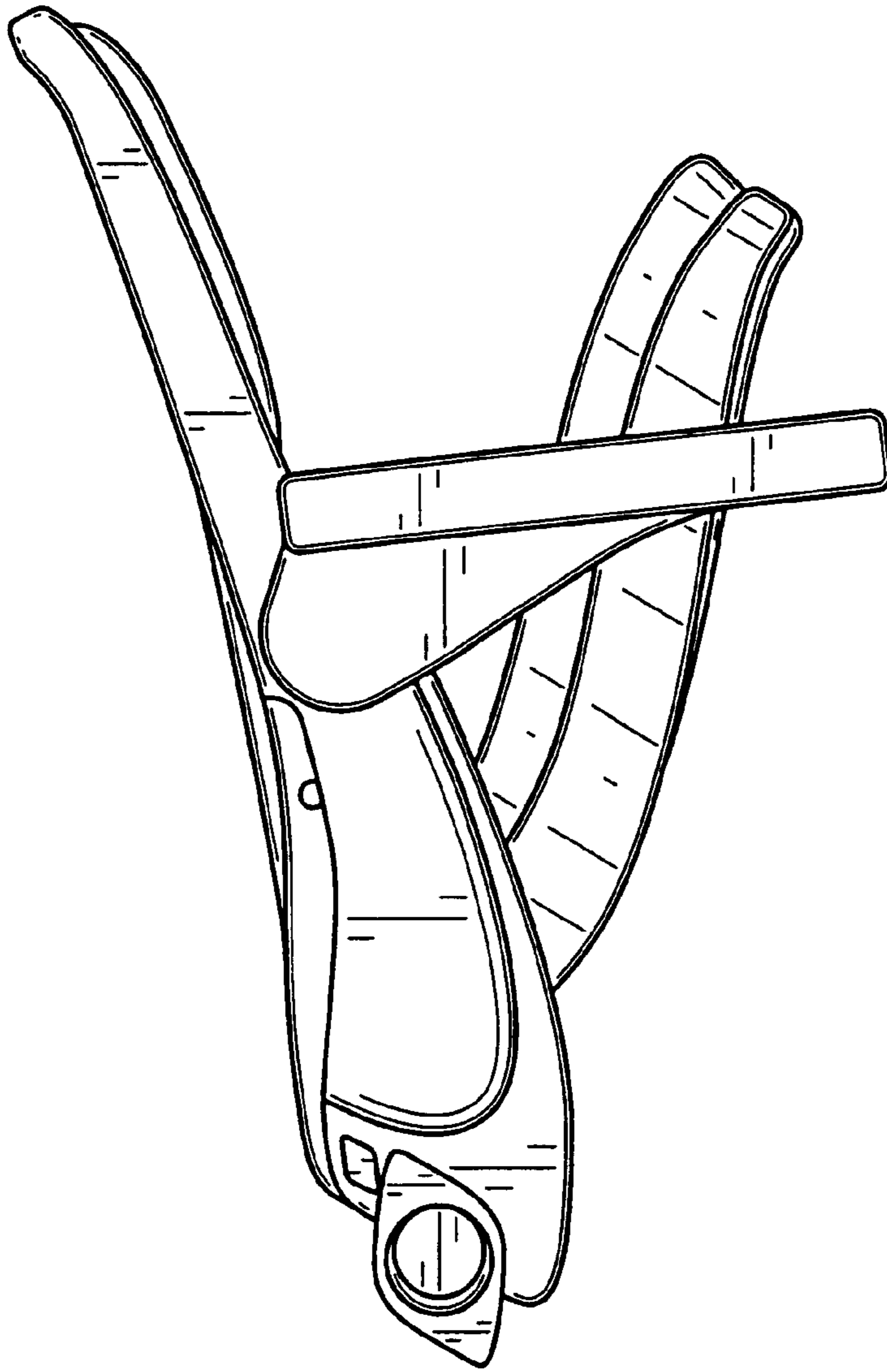


FIG. 14