



US00D513893S

(12) **United States Design Patent**
Reza-Hadden

(10) **Patent No.:** **US D513,893 S**
(45) **Date of Patent:** **** Jan. 31, 2006**

(54) **BENCH**

D392,821 S 3/1998 Yurk D6/500
D483,960 S 12/2003 Chipman D6/370

(75) Inventor: **Ana Maria Reza-Hadden**, San Rafael,
CA (US)

(73) Assignee: **Landscape Forms, Inc.**, Kalamazoo,
MI (US)

(**) Term: **14 Years**

(21) Appl. No.: **29/222,050**

(22) Filed: **Jan. 25, 2005**

OTHER PUBLICATIONS

Rib Pattern Bench —CR8677. Wabash Valley 1998 “Plas-
tisol” Coated Furniture Catalog. p. 57.
“Northwest Series”, Hunt Co. Sweets Catalog 2004, Divi-
sion 02879, 1 page.

Primary Examiner—Joel A. Sincavage
Assistant Examiner—Vy Nguyen

(74) *Attorney, Agent, or Firm*—Heslin Rothenberg Farley
& Mesiti P.C.

Related U.S. Application Data

(62) Division of application No. 29/211,829, filed on Aug. 23,
2004.

(51) **LOC (8) Cl.** **06-01**

(52) **U.S. Cl.** **D6/355; D6/349**

(58) **Field of Classification Search** D6/334–335,
D6/349–355, 370–373, 381, 500–502; 297/232,
297/445.1, 446.1

See application file for complete search history.

(56) **References Cited**

U.S. PATENT DOCUMENTS

D344,857 S 3/1994 Kinsman D6/349

(57) **CLAIM**

The ornamental design for a bench, as shown and described.

DESCRIPTION

FIG. 1 is an isometric view of the bench of the present
design;

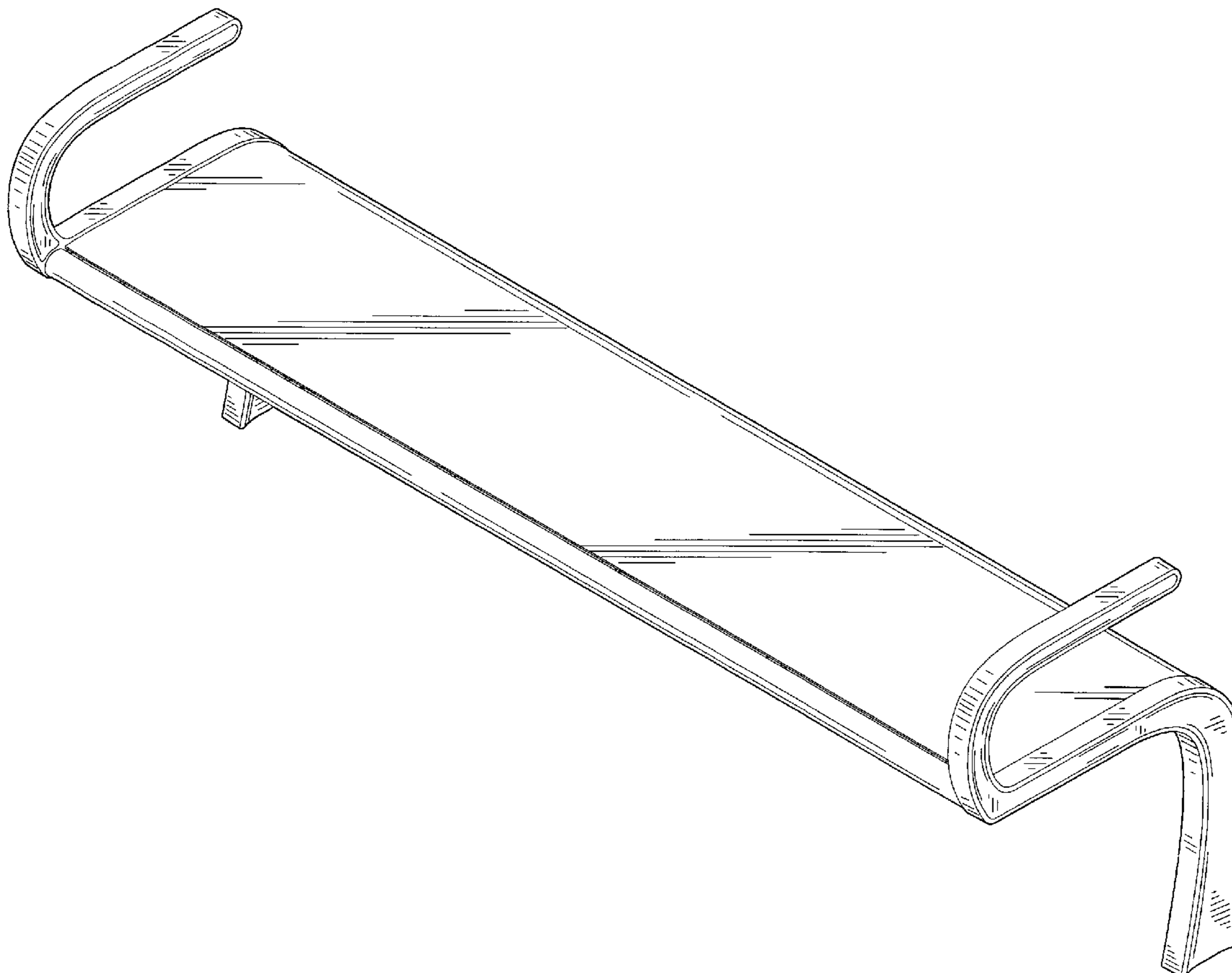
FIG. 2 is a top plan view thereof;

FIG. 3 is a front elevation view thereof;

FIG. 4 is a right side elevation view thereof, the left side
elevation view being a mirror image thereof; and,

FIG. 5 is a rear elevation view thereof.

1 Claim, 5 Drawing Sheets



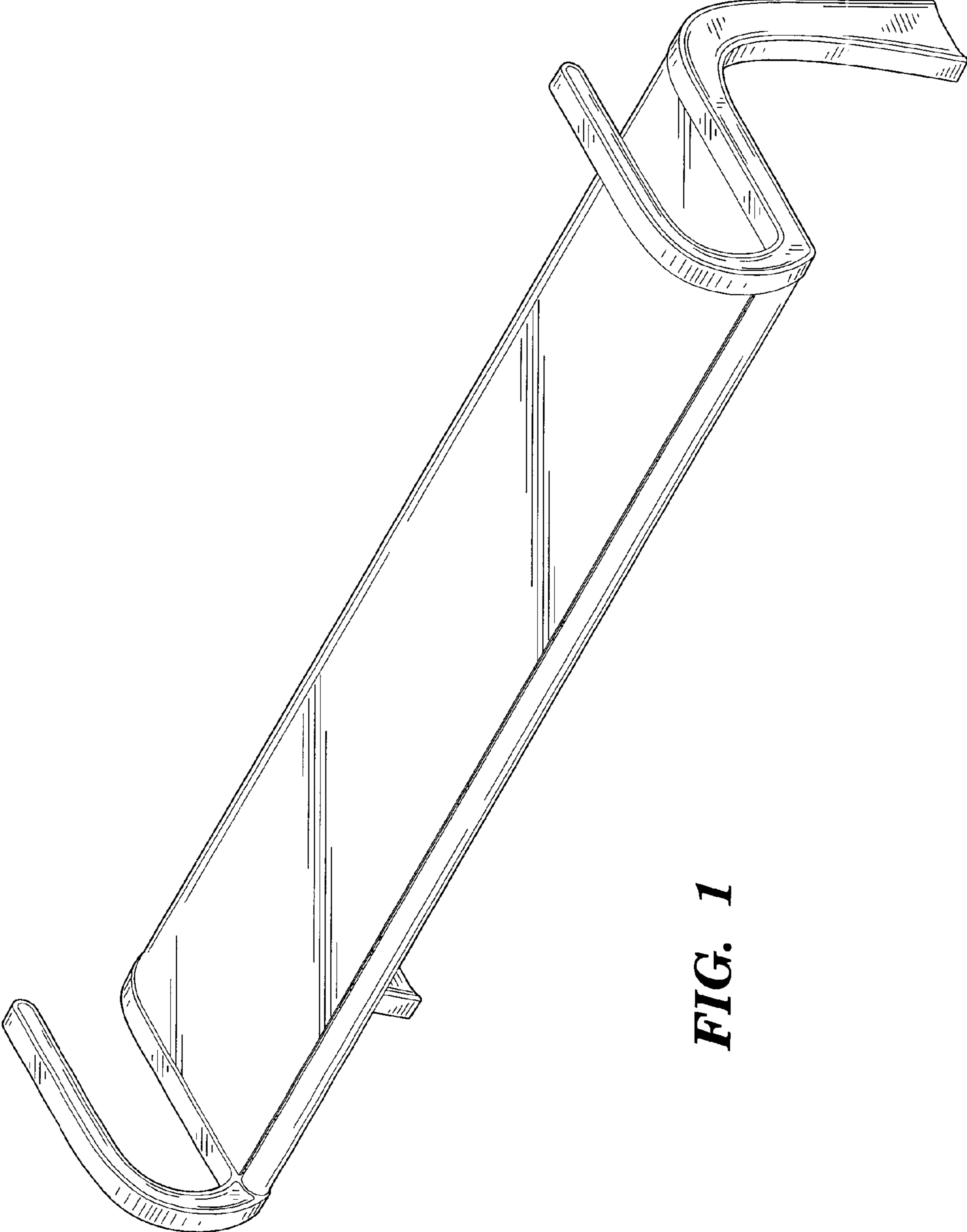


FIG. 1

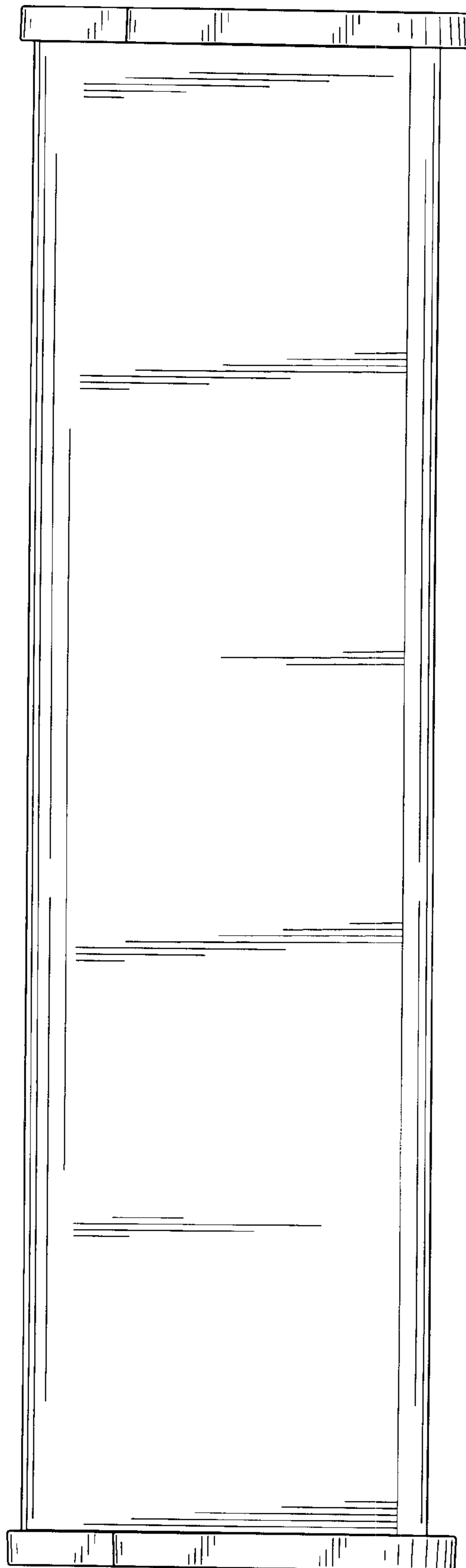


FIG. 2

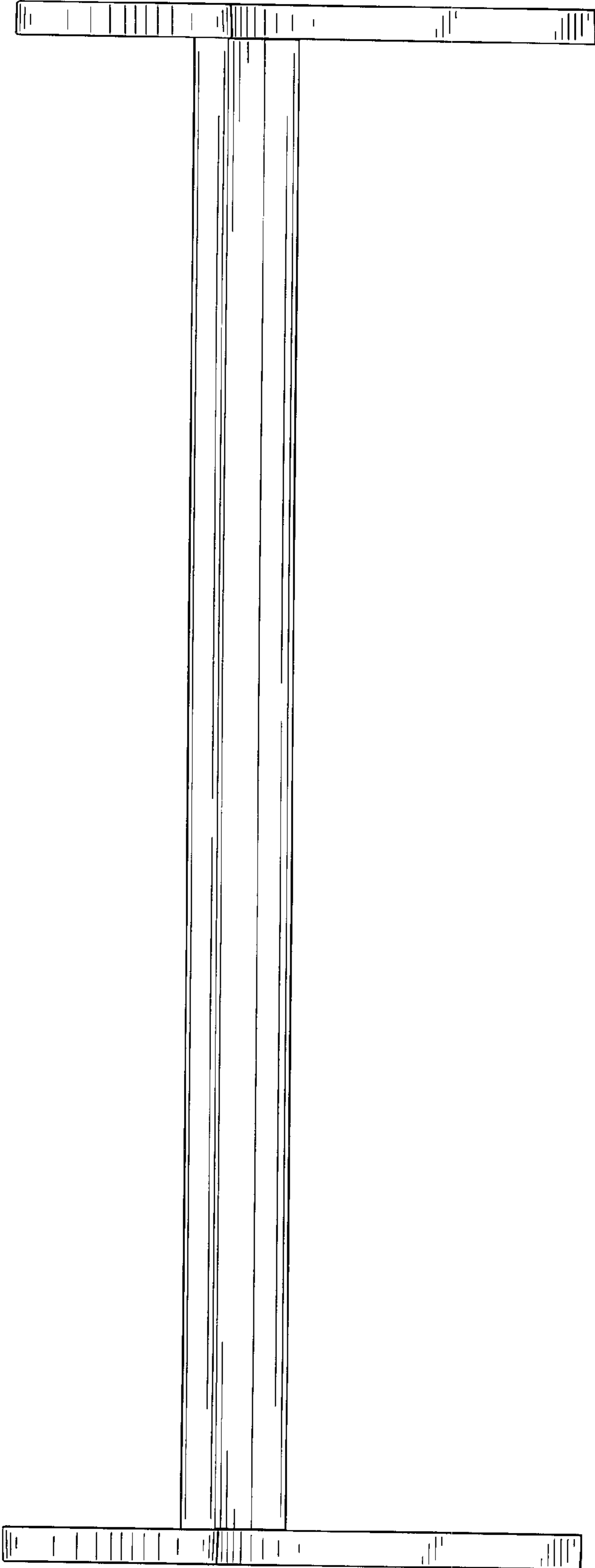


FIG. 3

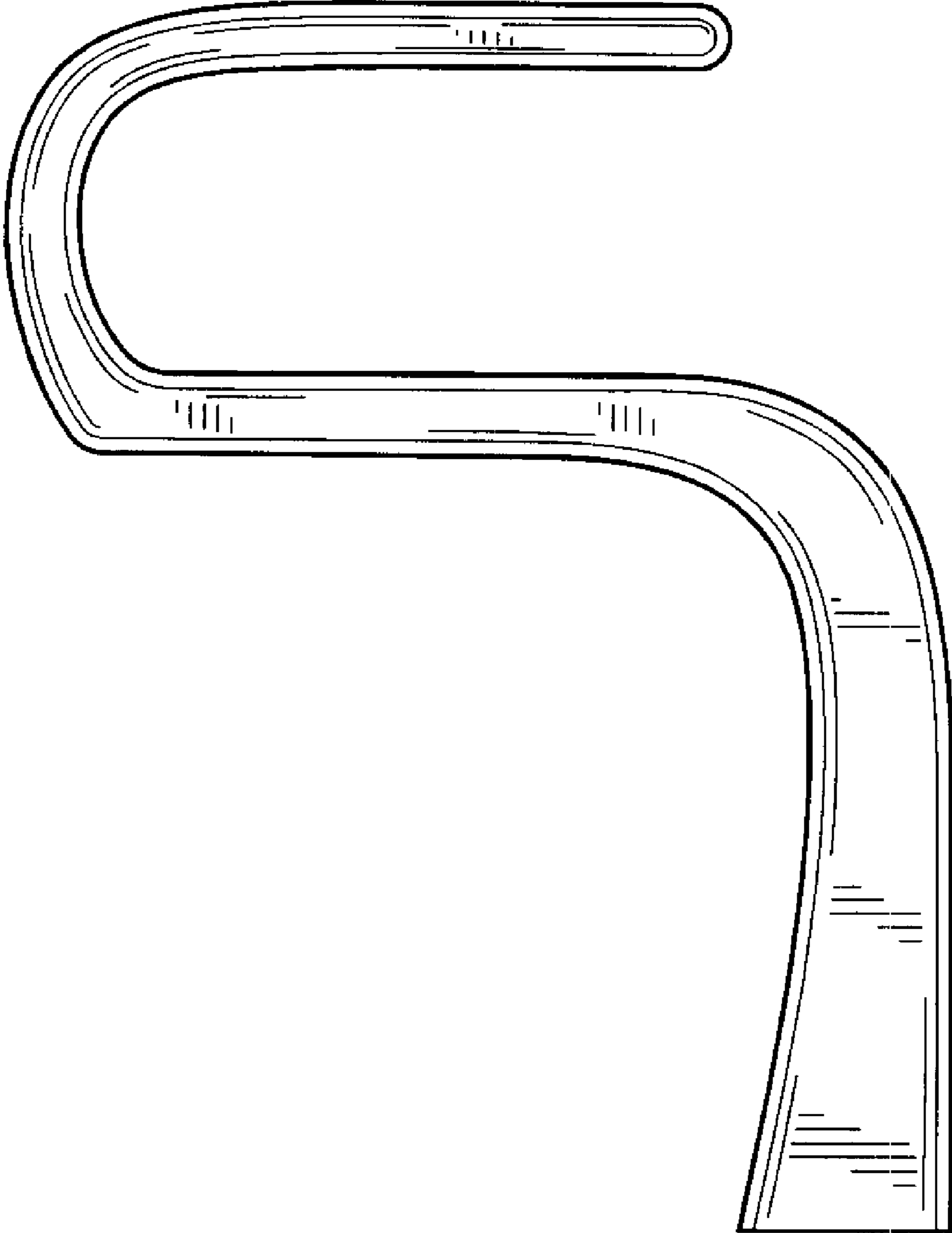


FIG. 4

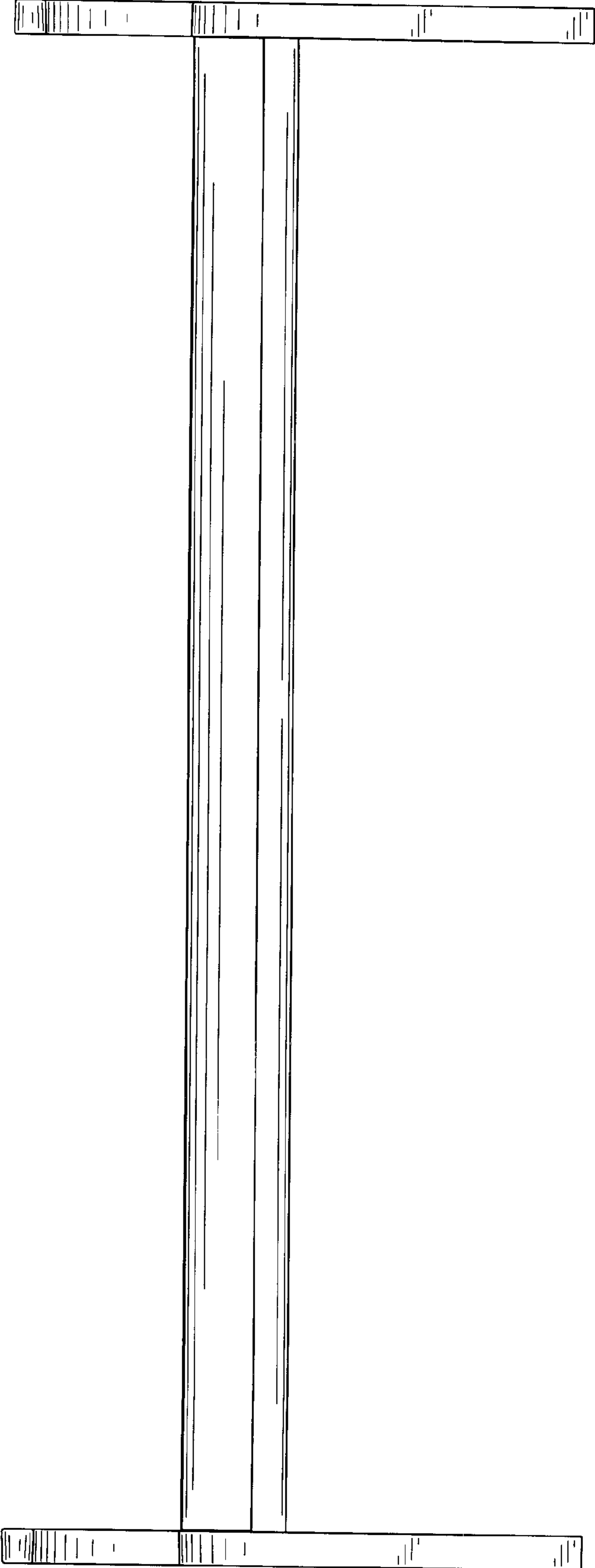


FIG. 5