



US00D513892S

(12) **United States Design Patent**
Glass et al.

(10) **Patent No.: US D513,892 S**
(45) **Date of Patent: ** Jan. 31, 2006**

(54) **CHAIR/DESK**

(75) Inventors: **Peter Glass**, Arroyo Grande, CA (US);
Robert J. Mills, Torrance, CA (US)

(73) Assignee: **Virco Mgmt. Corporation**, Torrance,
CA (US)

(**) Term: **14 Years**

(21) Appl. No.: **29/218,895**

(22) Filed: **Dec. 9, 2004**

(51) **LOC (8) Cl.** **06-01**

(52) **U.S. Cl.** **D6/338**

(58) **Field of Classification Search** D6/333-339,
D6/364-367, 371-376, 380, 42, 500-502,
D6/510-511; 297/144, 145, 160, 62, 183.1,
297/170-173, 183.7, 448.2, 451.3, 452.1,
297/452.2, 452.29

See application file for complete search history.

(56) **References Cited**

U.S. PATENT DOCUMENTS

D49,159	S	*	6/1916	Robinson	D6/341
1,420,404	A		6/1922	Beaver		
1,452,343	A		4/1923	Jones		
D163,170	S		5/1951	Eibetz		
D169,932	S	*	6/1953	Chapman et al.	D6/341
D170,005	S	*	7/1953	Chapman et al.	D6/341
2,722,965	A		11/1955	Chapman et al.		
2,732,007	A		1/1956	MacWhirter		
D181,703	S		12/1957	Bargen		
2,970,635	A		2/1961	Fields		
3,020,086	A	*	2/1962	Barber	297/170
D198,628	S	*	7/1964	Chapman et al.	D6/341
D206,721	S	*	1/1967	Durfee	D6/338
D207,850	S	*	6/1967	Durfee	D6/341
D505,022	S	*	5/2005	Mills et al.	D6/338
2005/0099040	A1	*	5/2005	Mills et al.	297/170

OTHER PUBLICATIONS

Virco Furniture Solutions 2003 General Catalog, pp. 60, 61, 64, and 67, model Nos. 3400BR, 3700BR, 3400LABR, 9400BR, 9700BR, 9400LABR, 2700BR, and 2400BR, Nov. 2002.

Artco-Bell Corporation Furniture to Enhance Education catalog, pp. 6 and 13, model Nos. 7457, H257, and H457, undated.

Royal Seating Corporation Educational and Computer Furniture catalog, pp. 16,17, and 45, model Nos. 1401, 4403, 6700, and CR-150, undated.

Scholarcraft School Furniture catalog, pp. 14, 15, 16, 17, 18, 19, and 20, model Nos. 620, 630, 640, 650, 680, 780, 850, 880, 880JT, and 950, undated.

* cited by examiner

Primary Examiner—Janice E. Seeger

Assistant Examiner—Sydney R. Buffalow

(74) *Attorney, Agent, or Firm*—Robert M. Hupe; Virco Mgmt. Corporation

(57) **CLAIM**

The ornamental design for a “chair/desk,” as shown.

DESCRIPTION

FIG. 1 is a perspective view of a chair/desk showing my new design;

FIG. 2 is a front elevational view thereof;

FIG. 3 is a left side view thereof;

FIG. 4 is a right side view thereof;

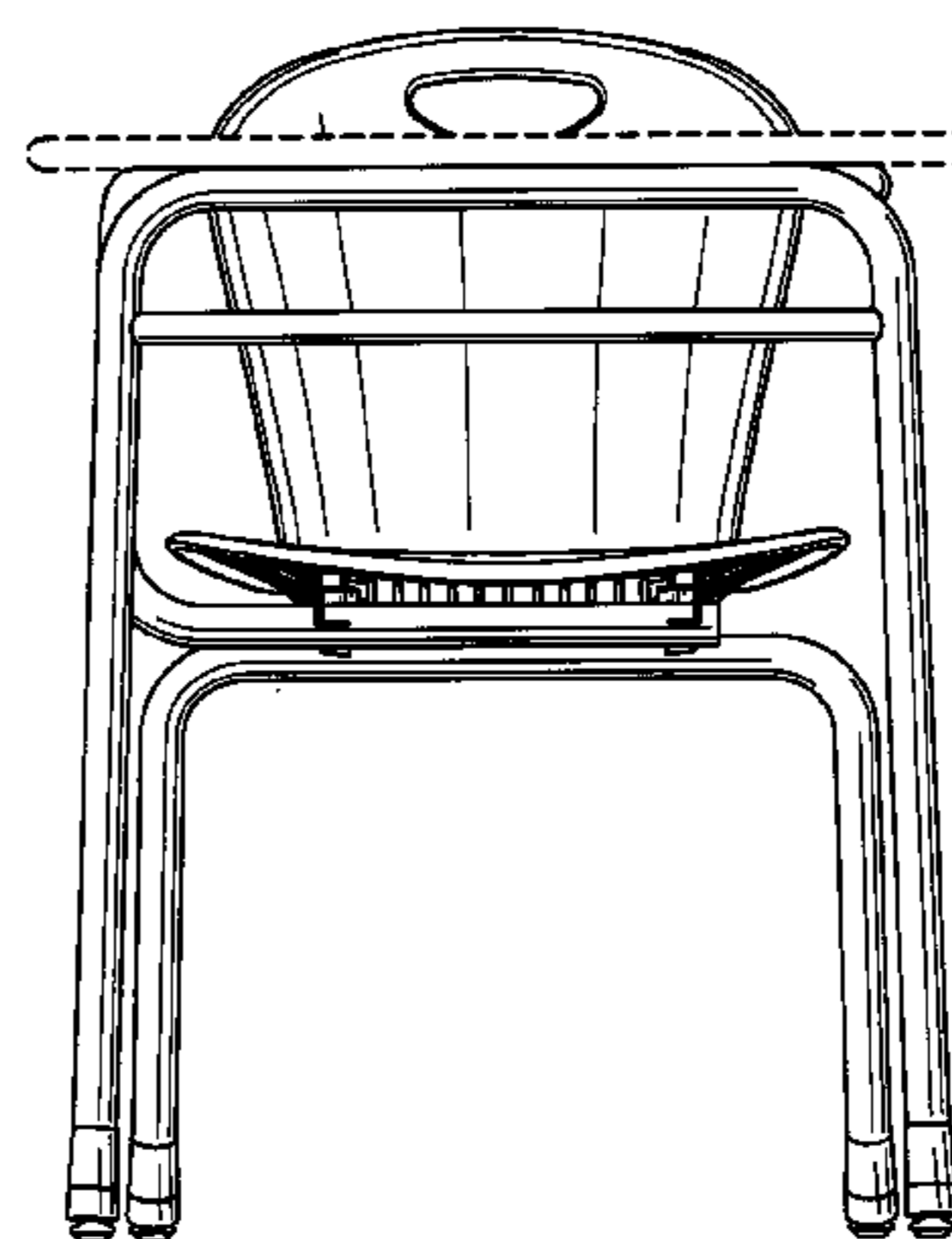
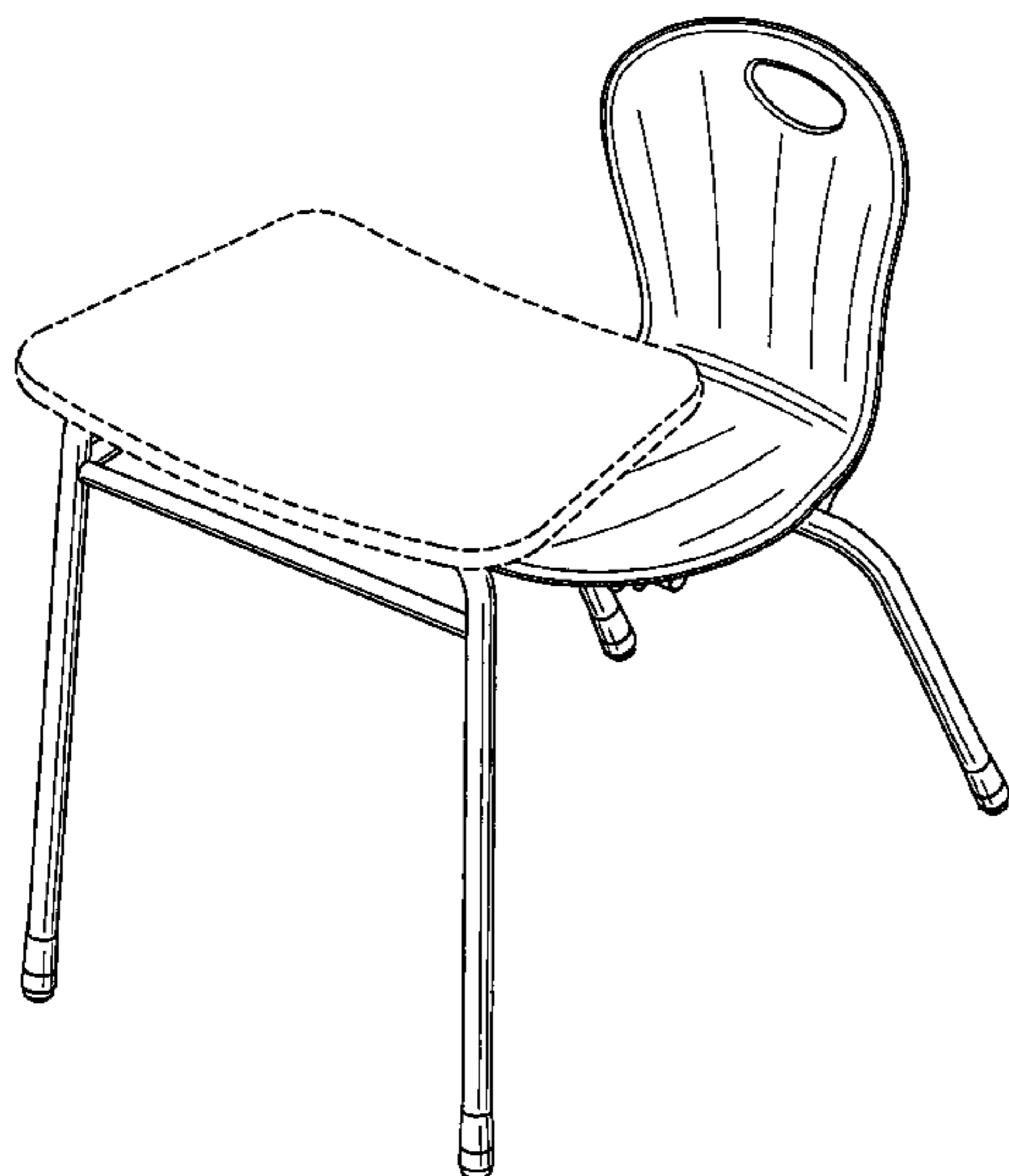
FIG. 5 a top view thereof;

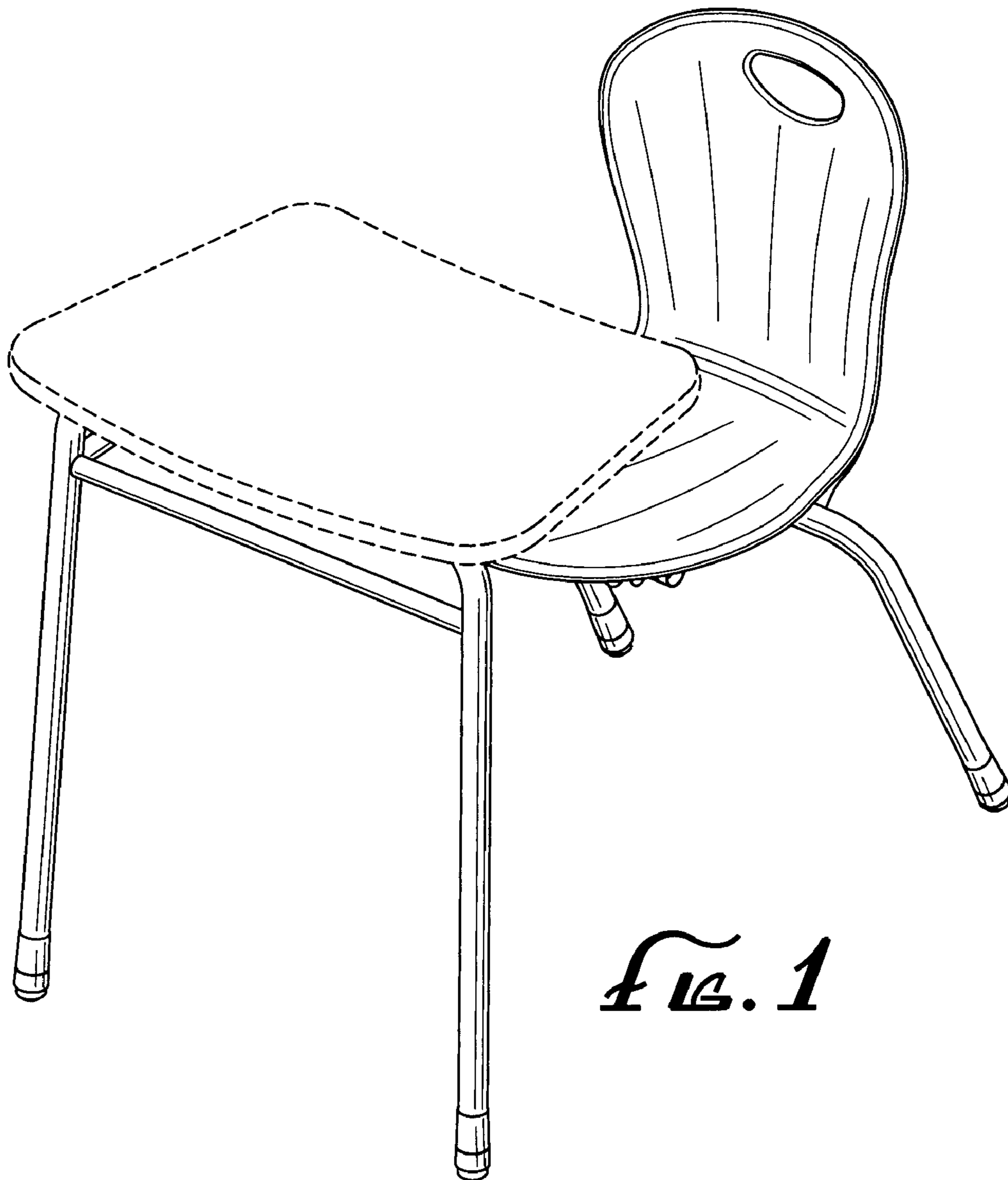
FIG. 6 is a bottom view thereof; and,

FIG. 7 is a back elevational view thereof.

The broken lines are for illustrative purposes only and form no part of the claimed design.

1 Claim, 6 Drawing Sheets





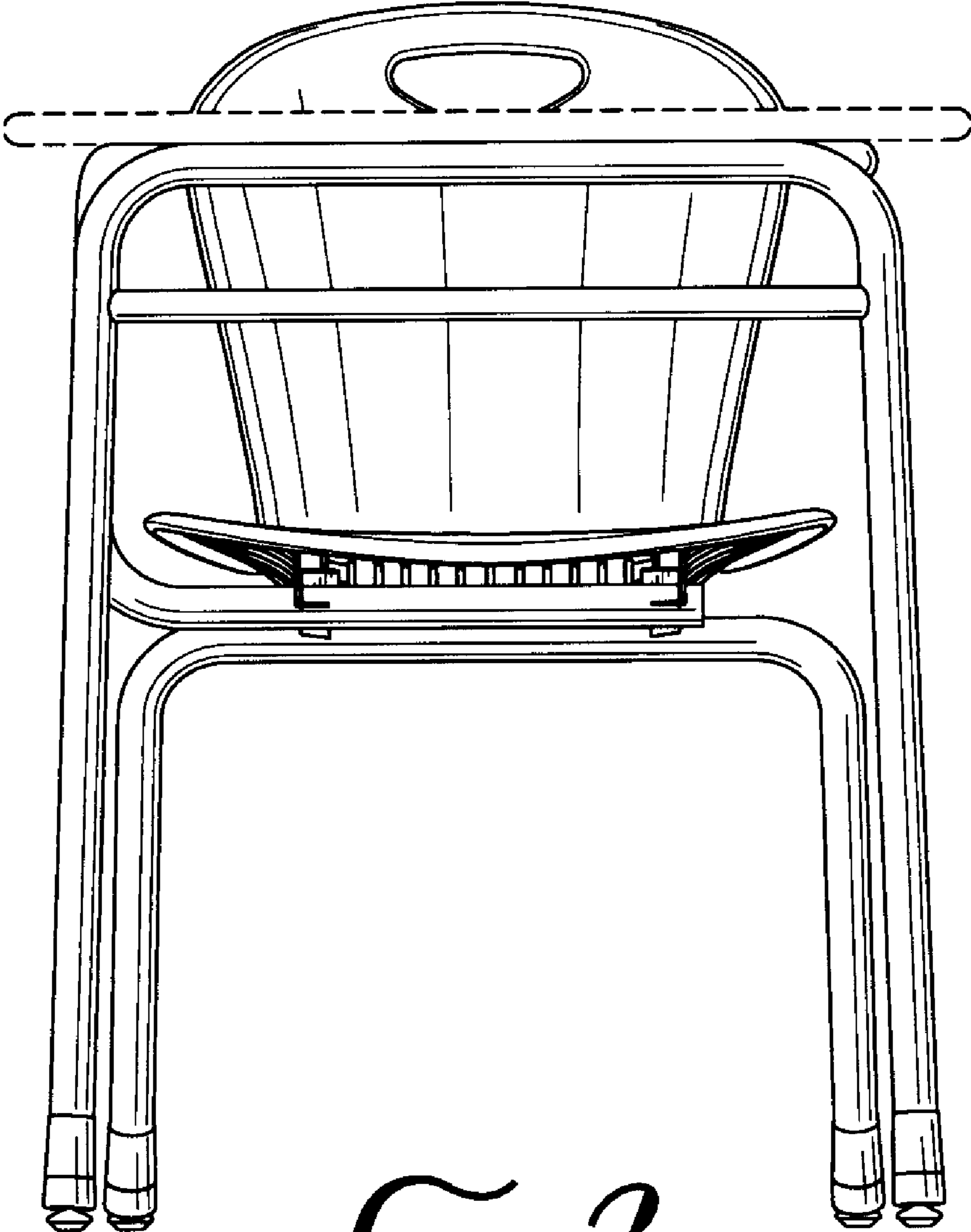


FIG. 2

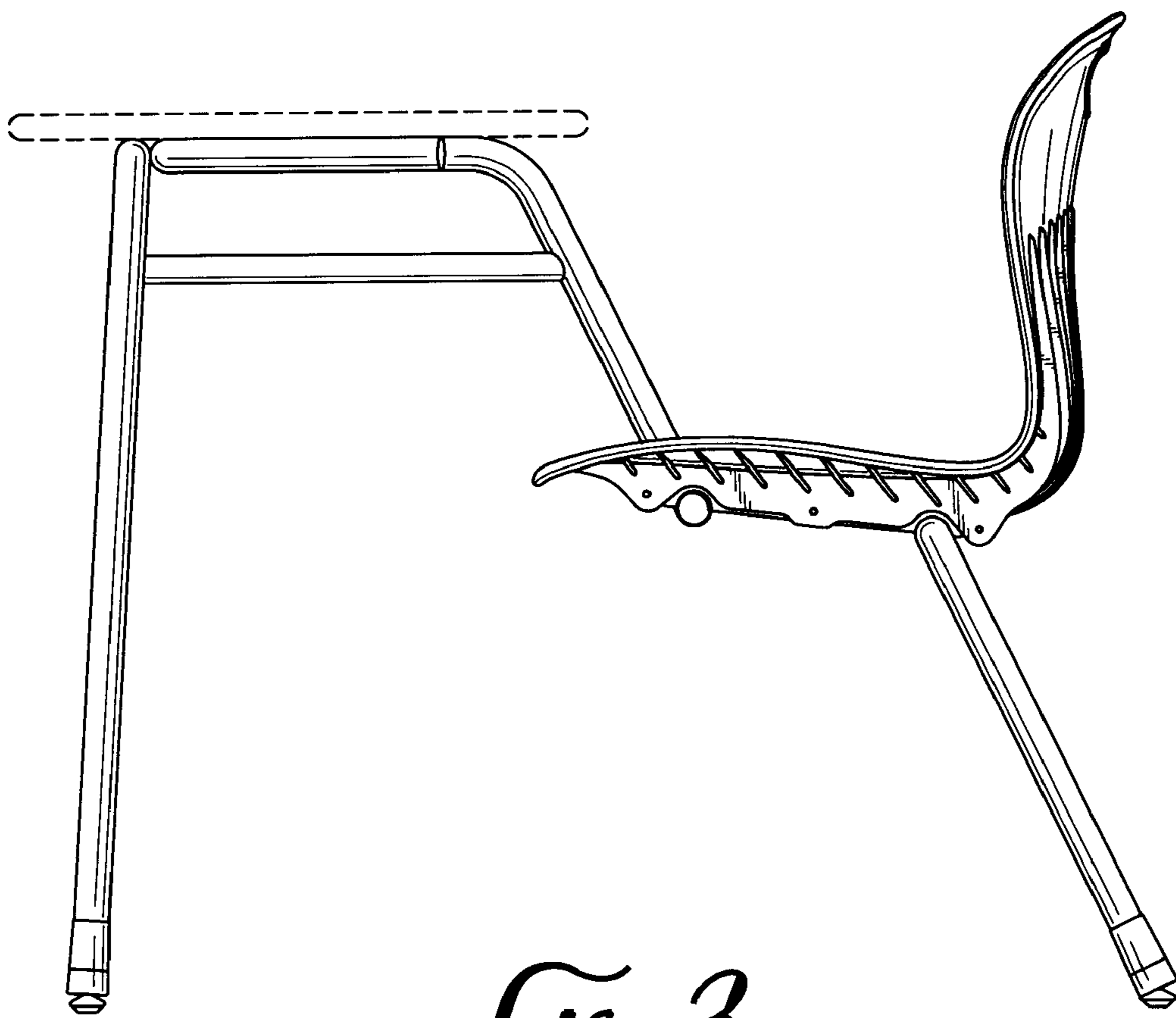


Fig. 3

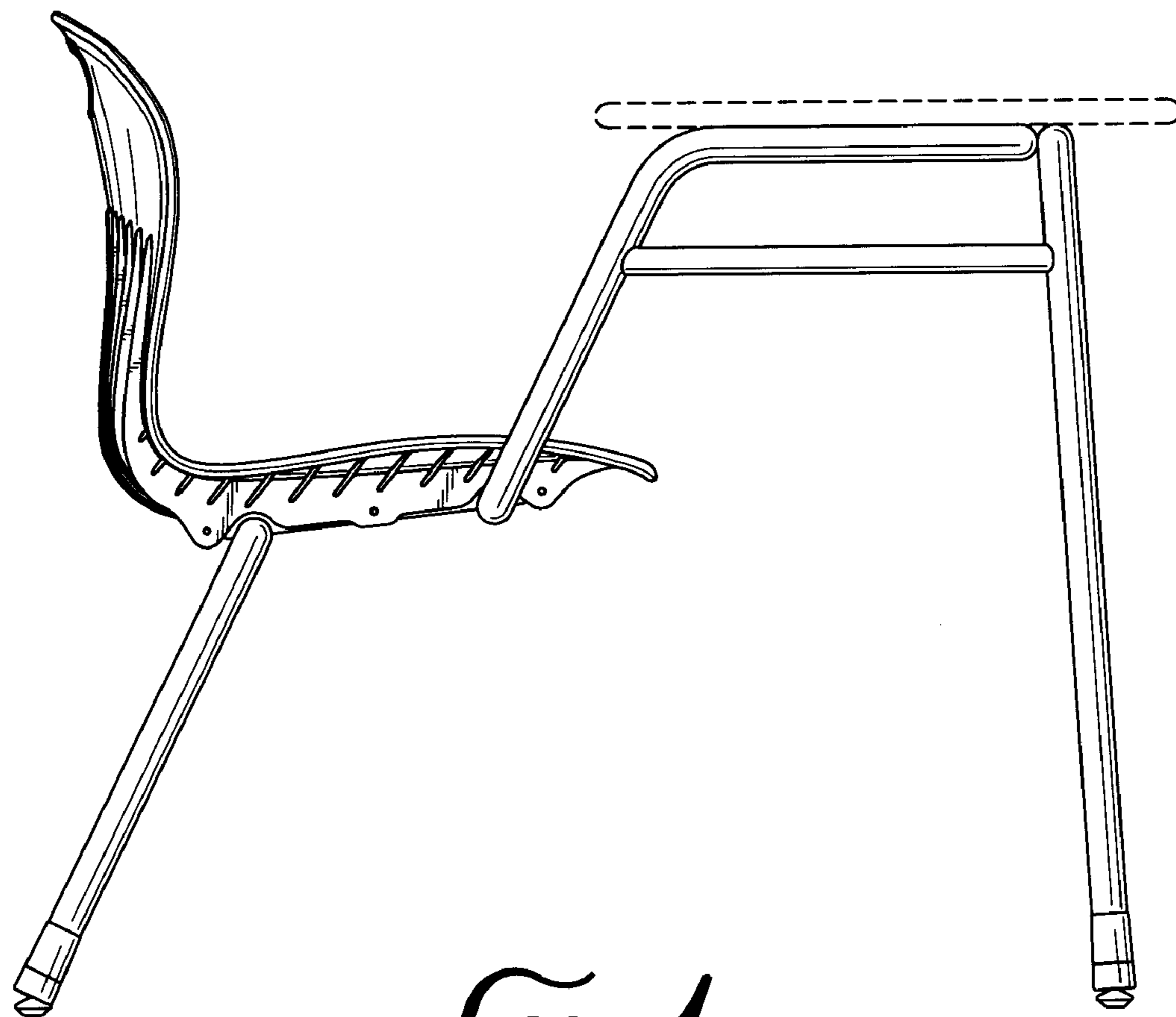


FIG. 4

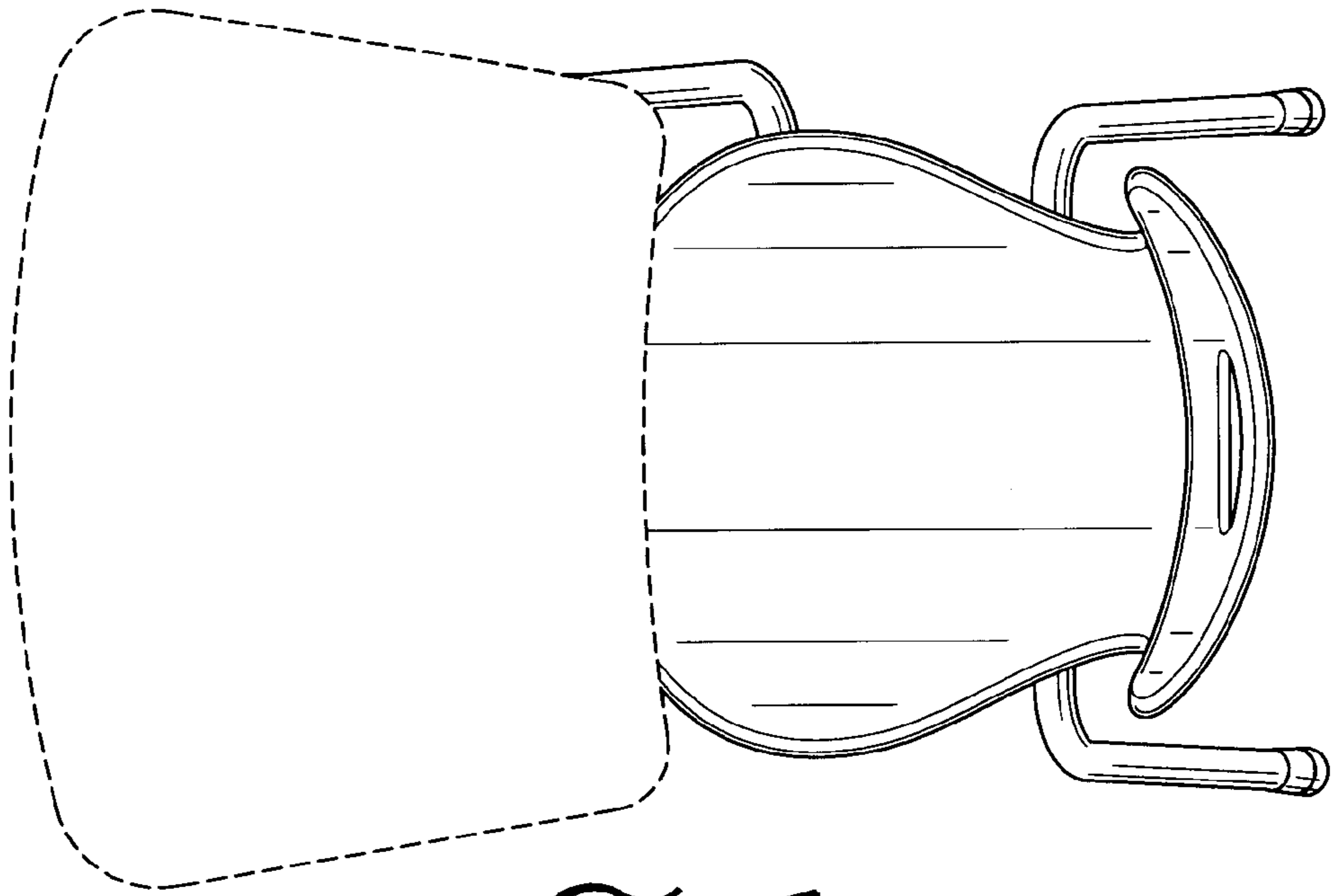


FIG. 5

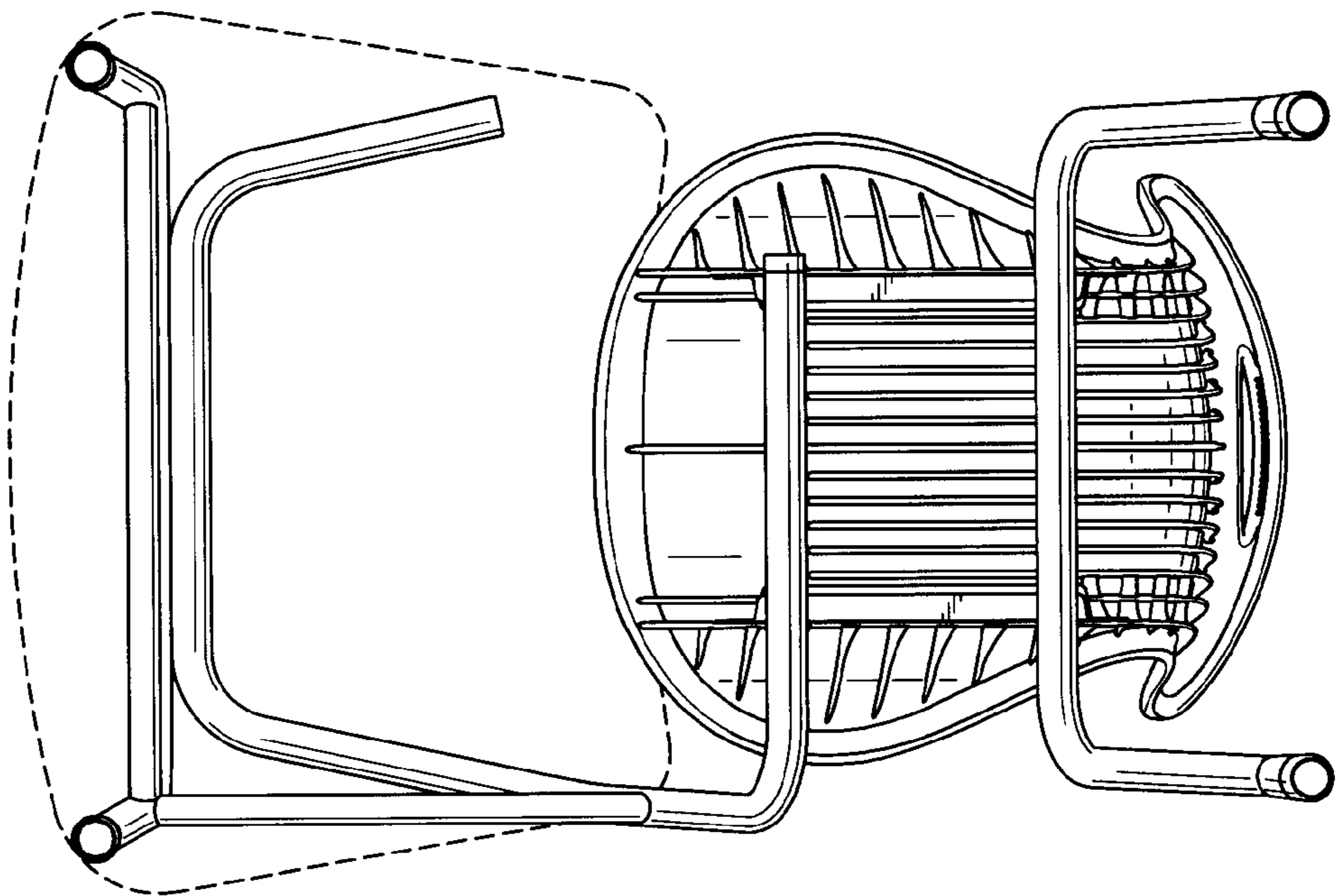


FIG. 6

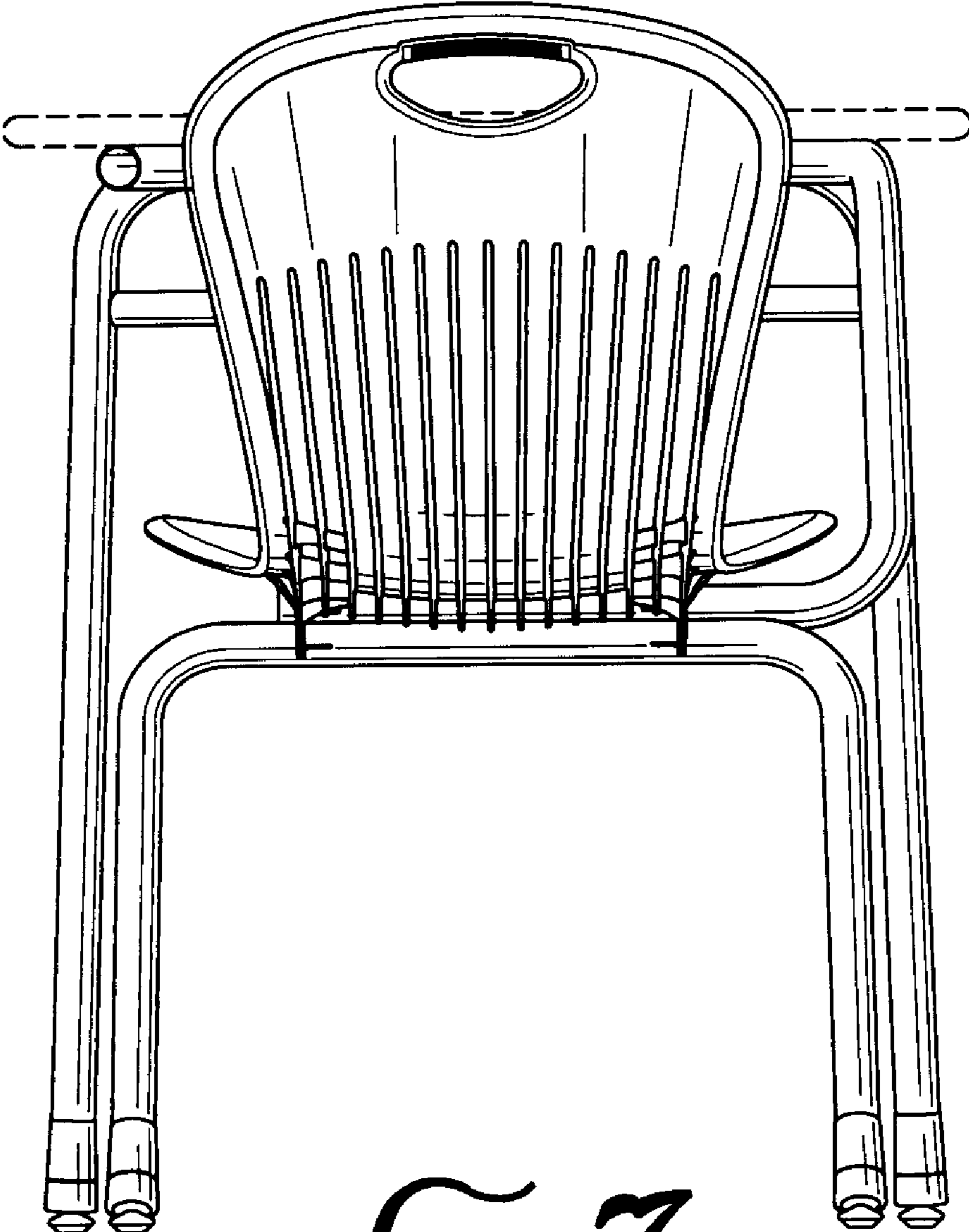


FIG. 7