



US00D513872S

(12) **United States Design Patent**  
**Moore**

(10) **Patent No.:** **US D513,872 S**  
(45) **Date of Patent:** **\*\* Jan. 31, 2006**

- (54) **PORTABLE TOY BOX**
- (76) Inventor: **Sherry D. Moore**, 16309 SW. 103 rd Ter., Miami, FL (US) 33196
- (\*\*) Term: **14 Years**
- (21) Appl. No.: **29/195,977**
- (22) Filed: **Dec. 22, 2003**
- (51) **LOC (8) Cl.** ..... **03-01**
- (52) **U.S. Cl.** ..... **D3/279**
- (58) **Field of Classification Search** ..... D3/272, D3/273, 279, 294, 295; D34/19; 280/33.998, 280/87.01, 87.05, 47.35  
See application file for complete search history.

- 6,079,720 A 6/2000 Spear
- D434,224 S \* 11/2000 Tiramani et al. .... D3/279
- D437,484 S \* 2/2001 Tiramani et al. .... D3/279
- 6,193,247 B1 2/2001 Spear
- D441,954 S \* 5/2001 Parker ..... D3/279
- D462,168 S \* 9/2002 Klemmensen et al. .... D3/279
- D462,170 S \* 9/2002 Chen et al. .... D3/279
- D467,424 S \* 12/2002 Hardigg et al. .... D3/279
- D467,426 S \* 12/2002 Hardigg et al. .... D3/279

\* cited by examiner

*Primary Examiner*—Philip S. Hyder

(57) **CLAIM**

The ornamental design for a portable toy box, as shown and described.

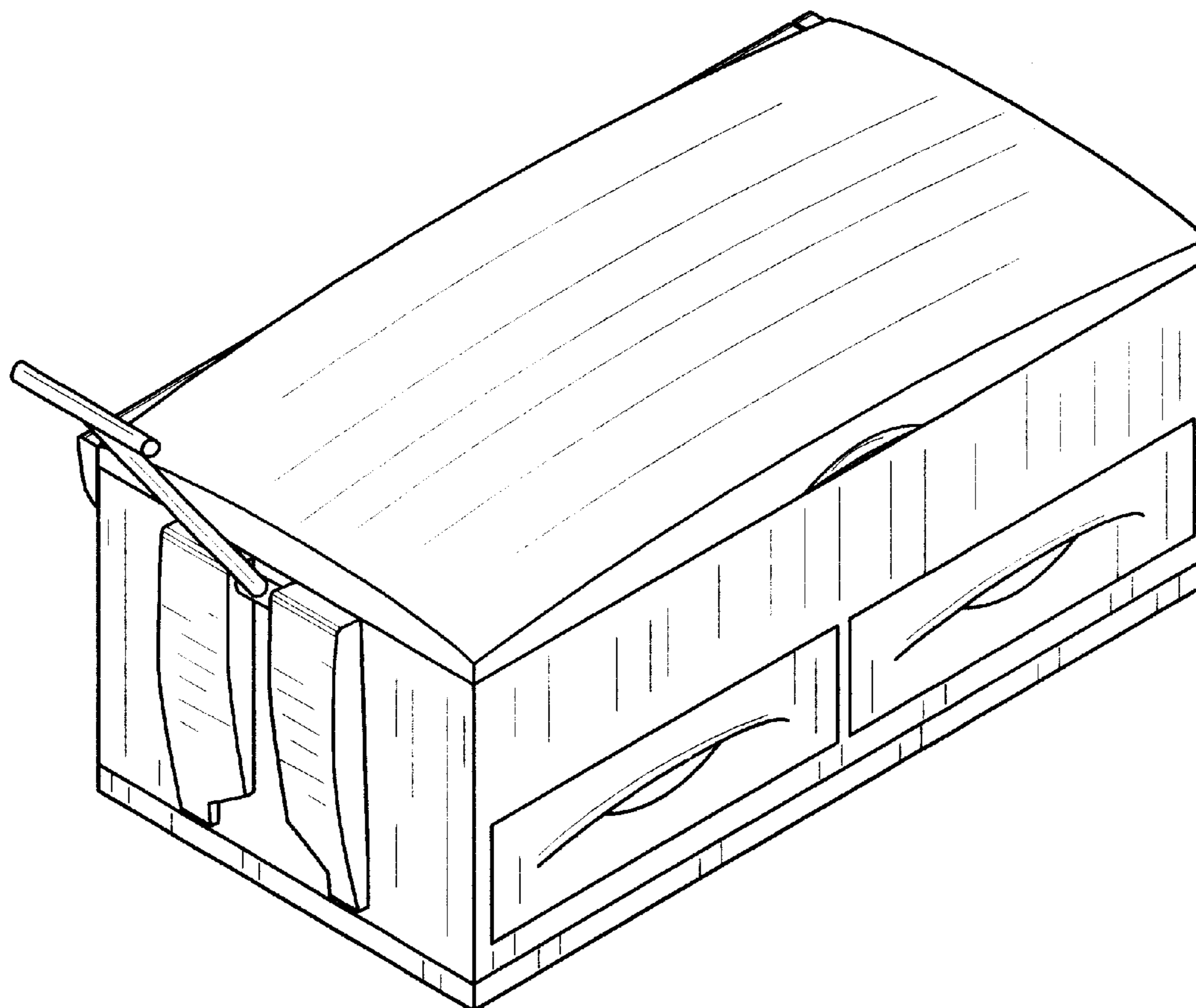
(56) **References Cited**  
**U.S. PATENT DOCUMENTS**

- 1,561,658 A 11/1925 Mosier
- 3,236,539 A 2/1966 Ketterer
- 4,300,783 A 11/1981 Fisher
- D285,322 S 8/1986 Appel
- D357,103 S 4/1995 Teifel
- D361,220 S \* 8/1995 Cacciola ..... D6/440
- 5,474,483 A \* 12/1995 Sun ..... 446/71
- 5,538,267 A \* 7/1996 Pasin et al. .... 280/87.01
- 5,857,695 A 1/1999 Crowell
- D422,409 S \* 4/2000 Klenner et al. .... D3/279

**DESCRIPTION**

FIG. 1 is a right side elevational view of a portable toy box showing my new design;  
FIG. 2 is a left side elevational view thereof;  
FIG. 3 is a front elevational view thereof;  
FIG. 4 is a rear elevational view thereof;  
FIG. 5 is a top plan view thereof;  
FIG. 6 is a bottom plan view thereof; and,  
FIG. 7 is a front perspective view thereof.

**1 Claim, 4 Drawing Sheets**



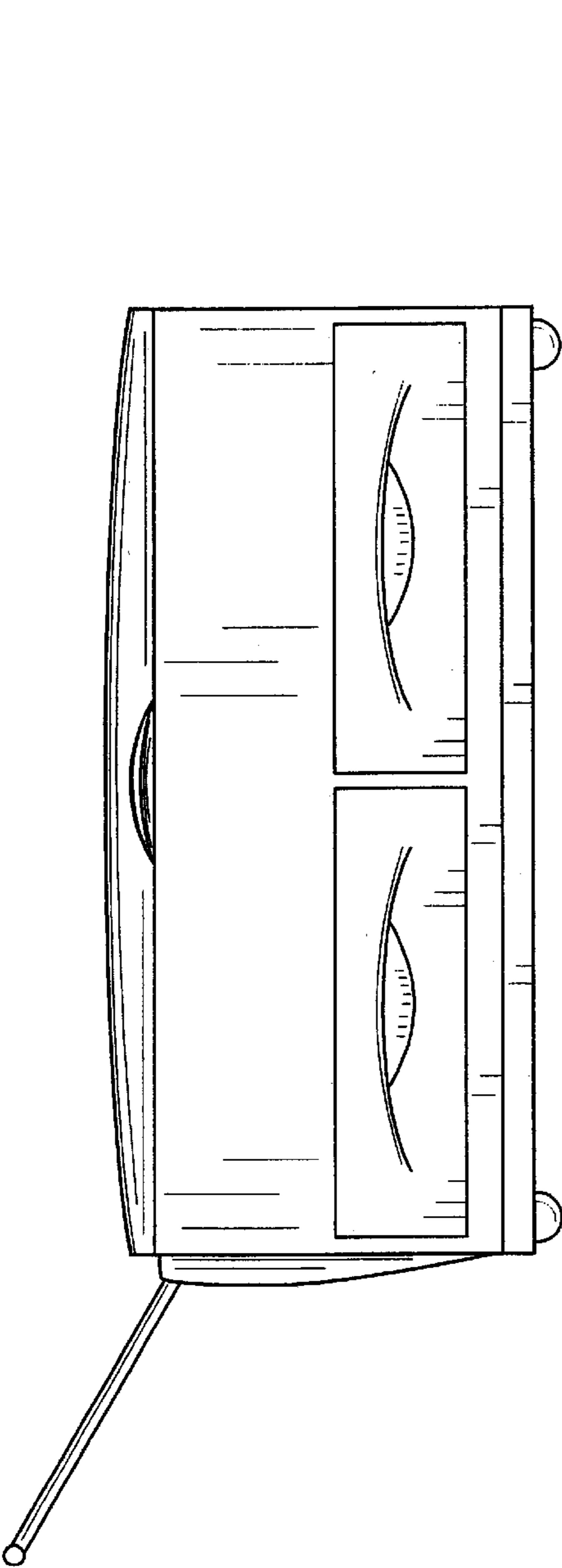


FIG. 1

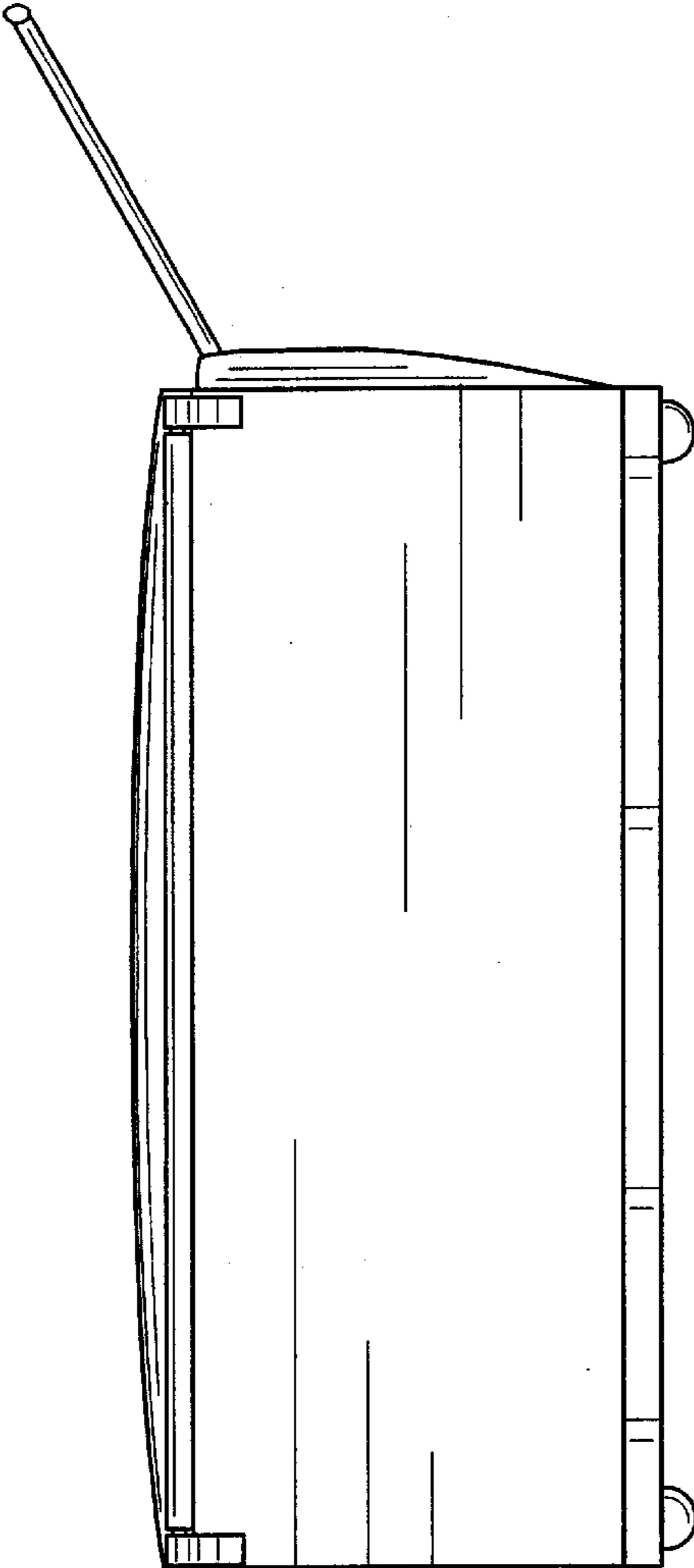


FIG. 2

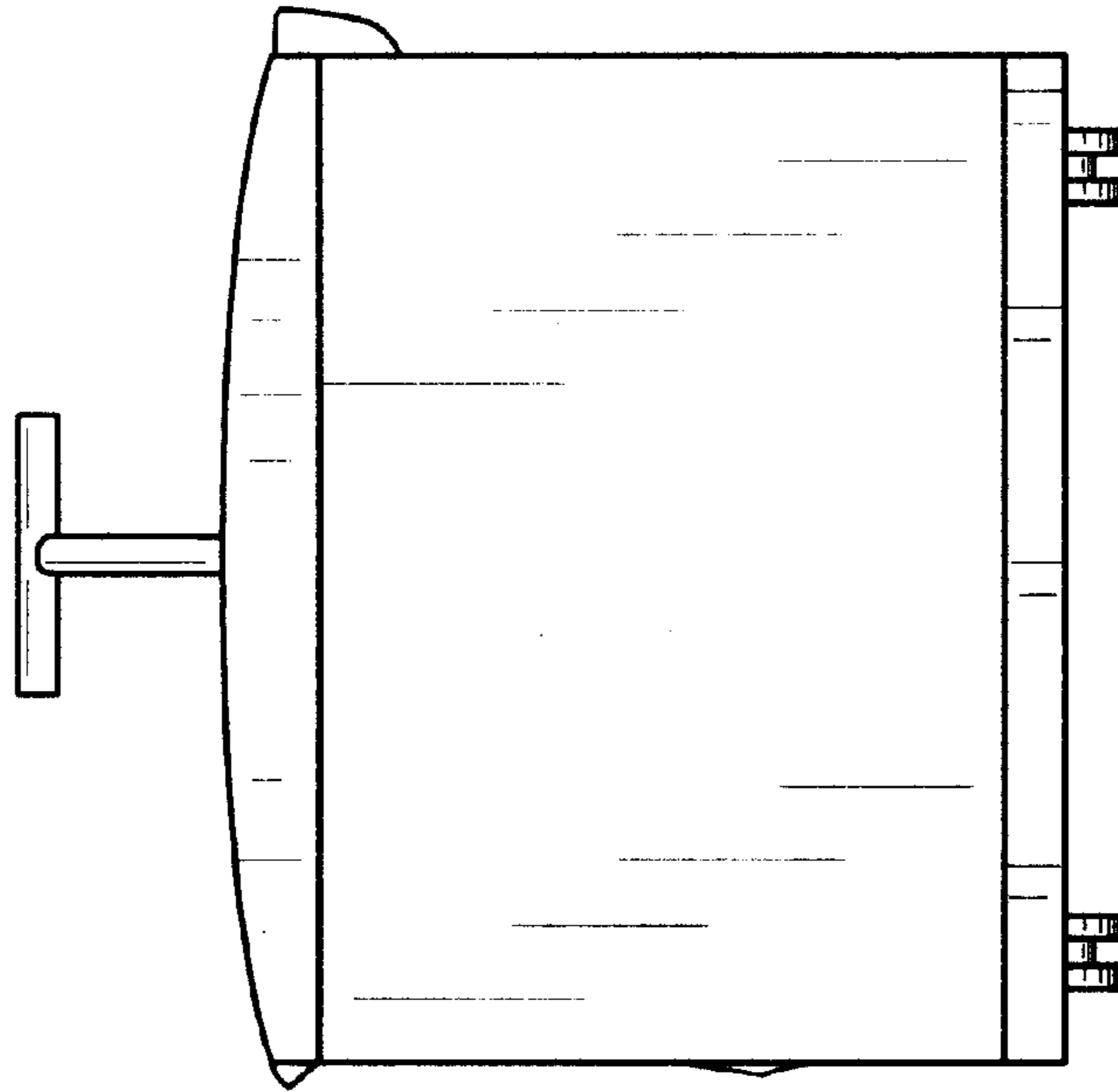


FIG. 4

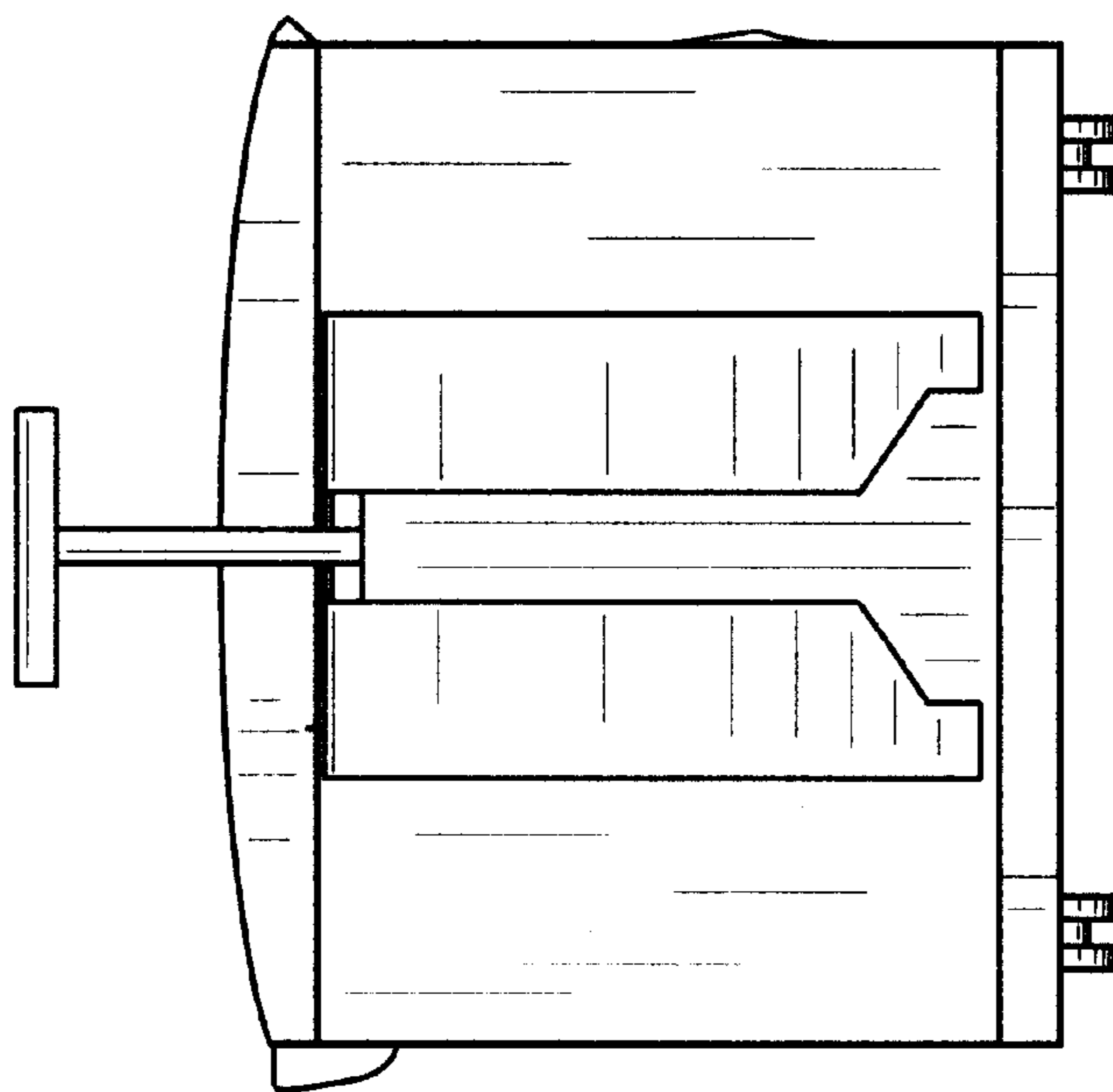


FIG. 3

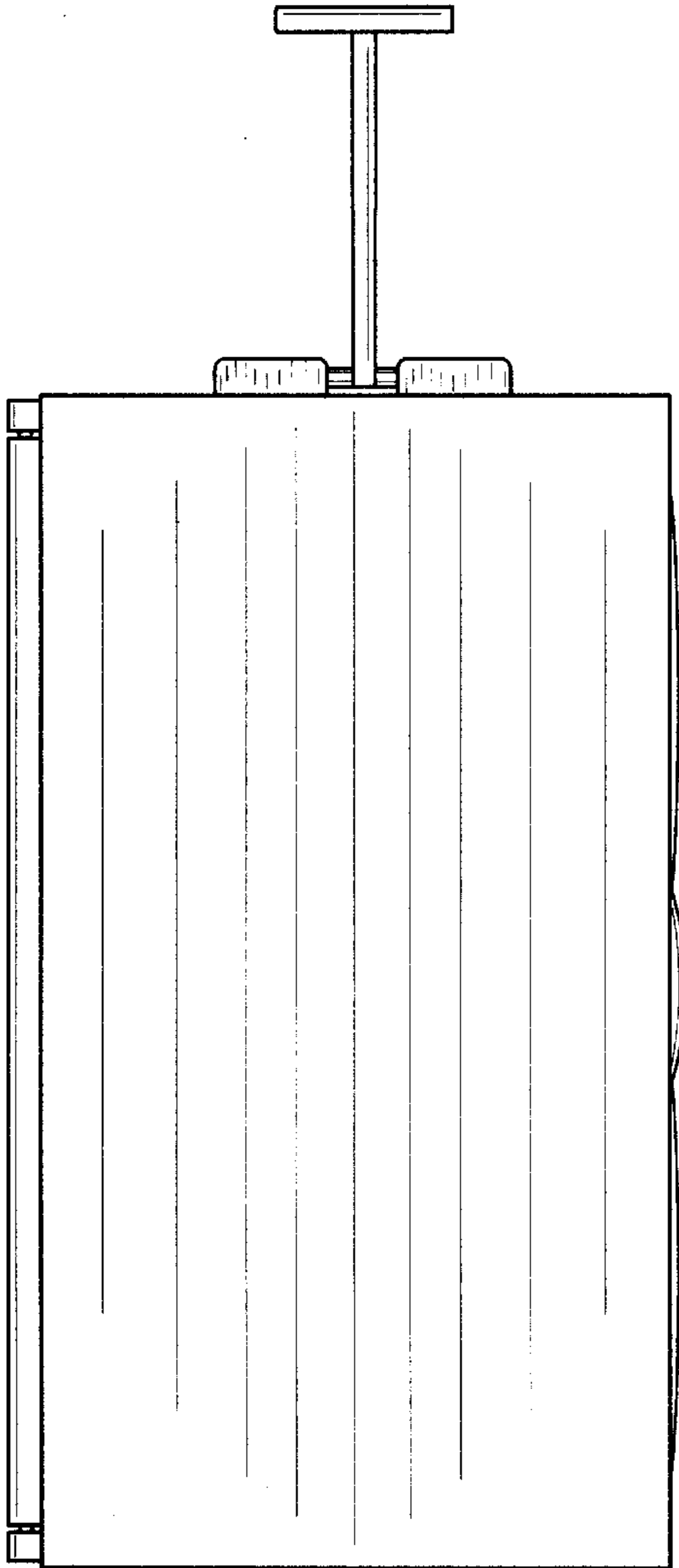


FIG. 5

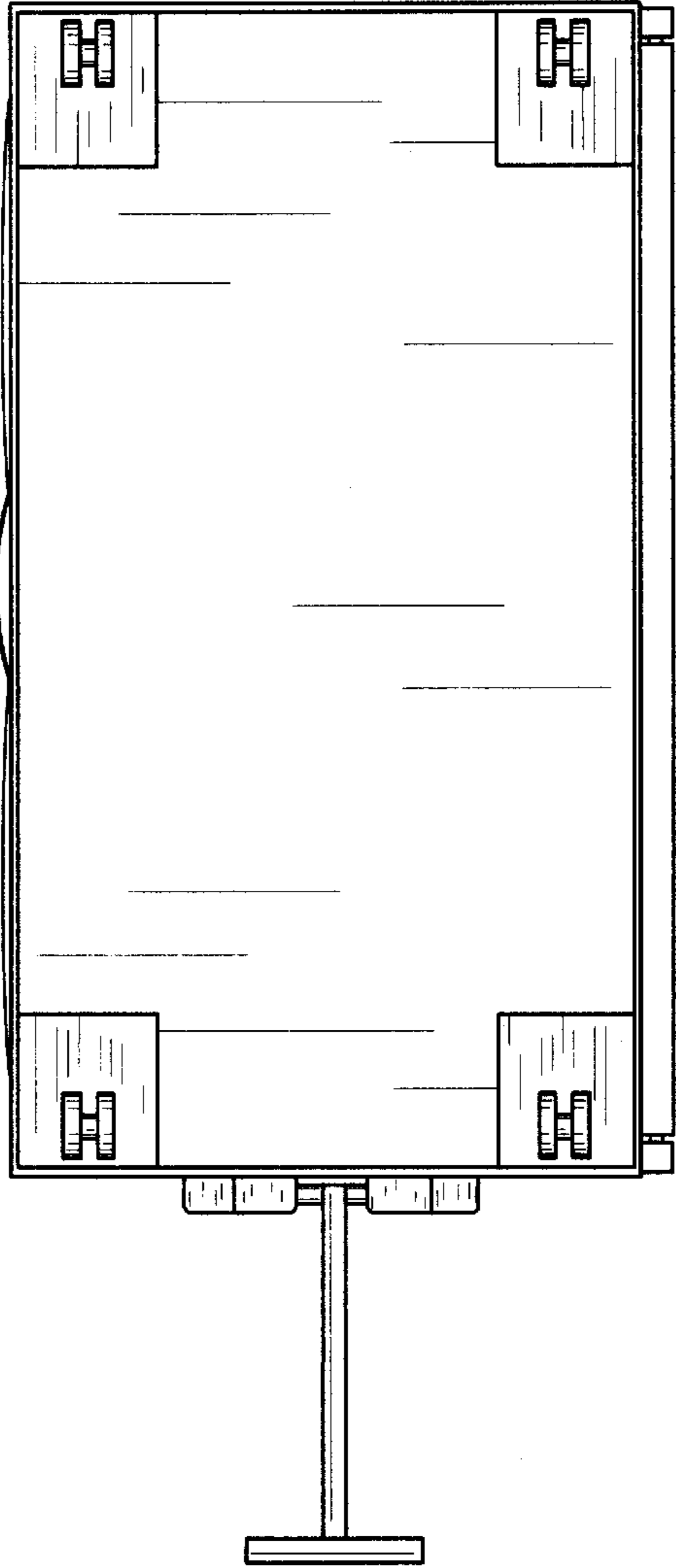


FIG. 6

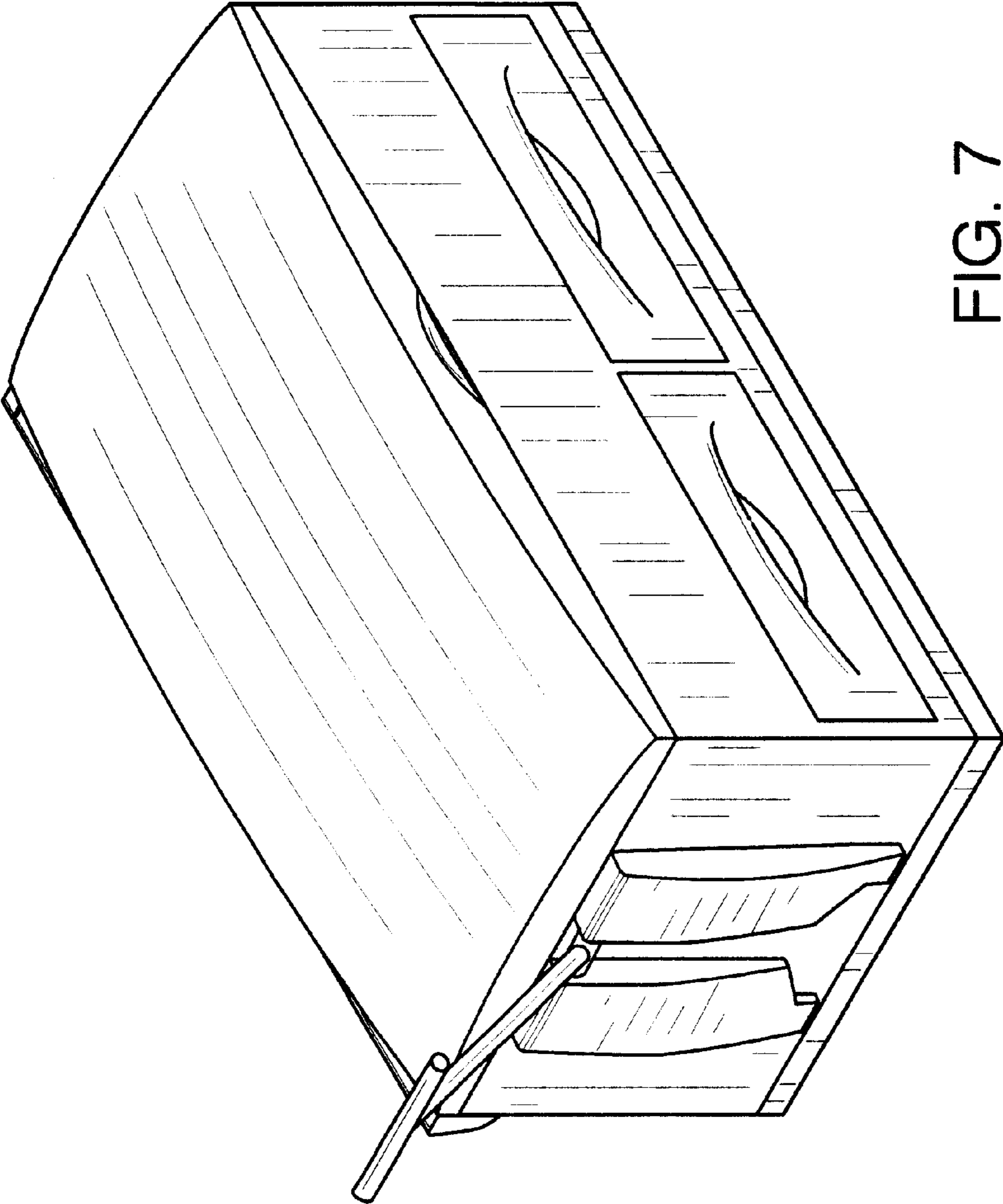


FIG. 7