



US00D513871S

(12) **United States Design Patent**
Rosine et al.

(10) **Patent No.:** **US D513,871 S**
(45) **Date of Patent:** **** Jan. 31, 2006**

(54) **UNDER-BED STORAGE BIN**
(75) Inventors: **Lyle A. Rosine**, Batavia, IL (US);
Torrence Anderson, Overland Park, IL (US)
(73) Assignee: **Suncast Corporation**, Batavia, IL (US)
(**) Term: **14 Years**

(21) Appl. No.: **29/203,030**
(22) Filed: **Apr. 7, 2004**

(51) **LOC (8) Cl.** **03-01**
(52) **U.S. Cl.** **D3/273; D3/302**
(58) **Field of Classification Search** **D3/273,**
D3/276, 279, 282, 284, 294, 295; D9/424,
D9/425; D34/20, 19, 25; 220/796; 206/349,
206/373, 508, 503, 518
See application file for complete search history.

(56) **References Cited**
U.S. PATENT DOCUMENTS

3,419,184 A * 12/1968 Asenbauer 206/508
4,523,692 A * 6/1985 Lemkin 220/788
D291,037 S * 7/1987 Handler et al. D6/432

D358,765 S * 5/1995 Dickinson et al. D9/425
D373,022 S * 8/1996 Sagol D3/279
5,564,805 A * 10/1996 Dickinson 312/249.8
D391,762 S * 3/1998 Ahern, Jr. D3/302
D401,763 S * 12/1998 Wolff D3/273
D421,678 S * 3/2000 Levy D3/279
D437,682 S * 2/2001 Steele D3/215

* cited by examiner

Primary Examiner—Philip S. Hyder
(74) *Attorney, Agent, or Firm*—McHale & Slavin, P.A.

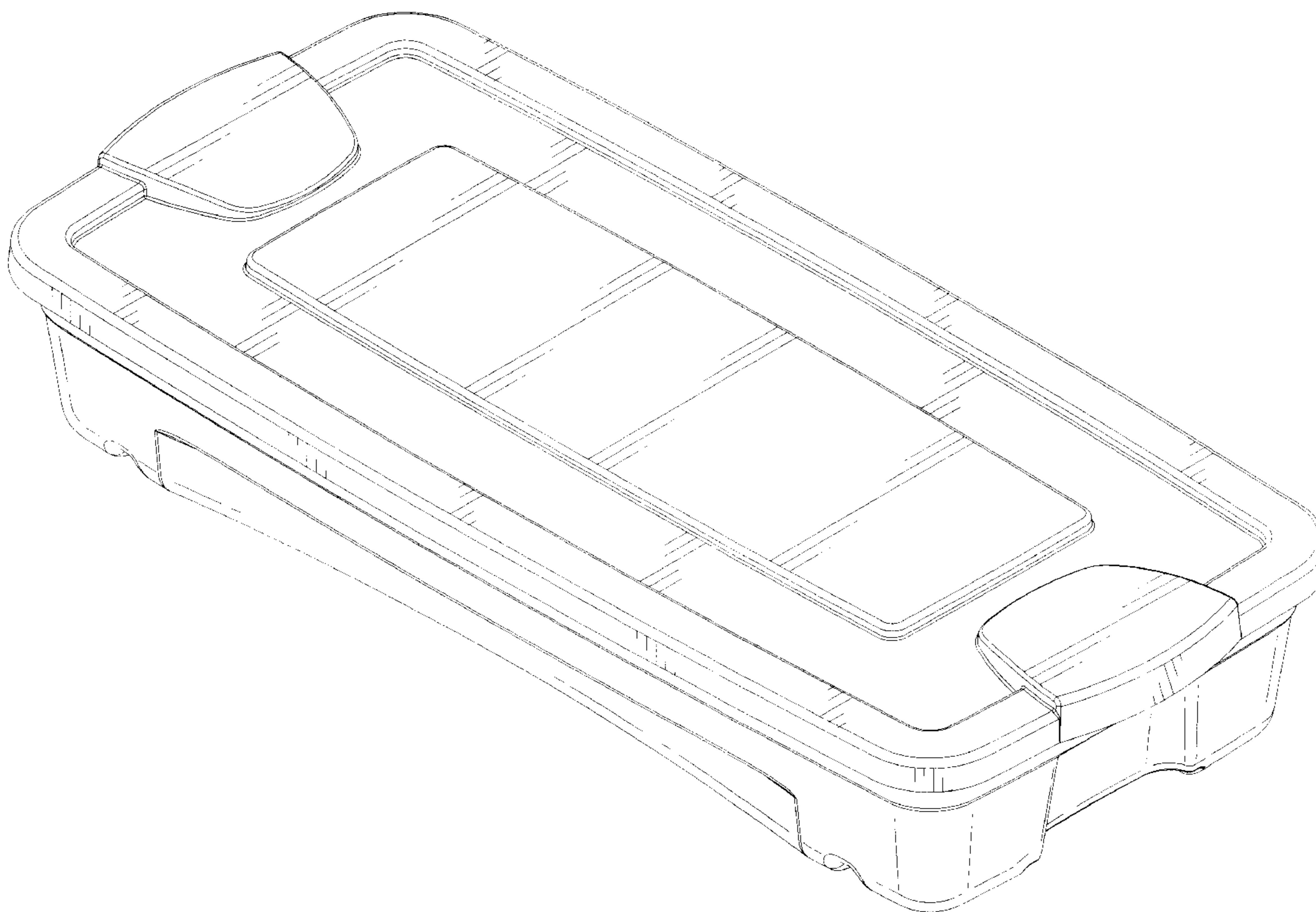
(57) **CLAIM**

The ornamental design for an under-bed storage bin, as shown and described.

DESCRIPTION

FIG. 1 is a perspective view of the under-bed storage bin of the instant invention;
FIG. 2 is a front elevation view thereof;
FIG. 3 is a rear view thereof;
FIG. 4 is a top plan view thereof;
FIG. 5 is a bottom plan view thereof;
FIG. 6 is a right side view thereof; and,
FIG. 7 is a left side view thereof.

1 Claim, 5 Drawing Sheets



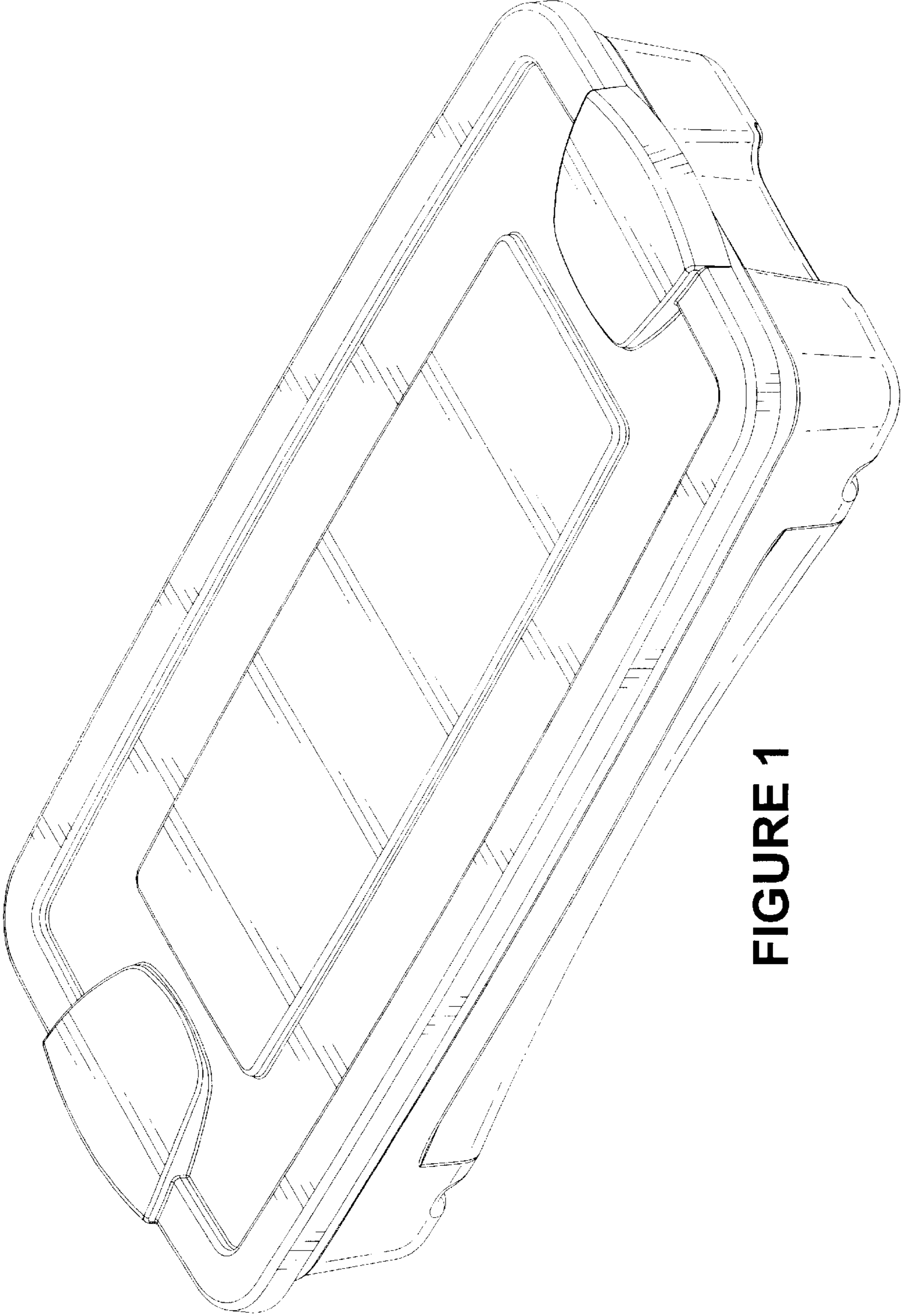


FIGURE 1

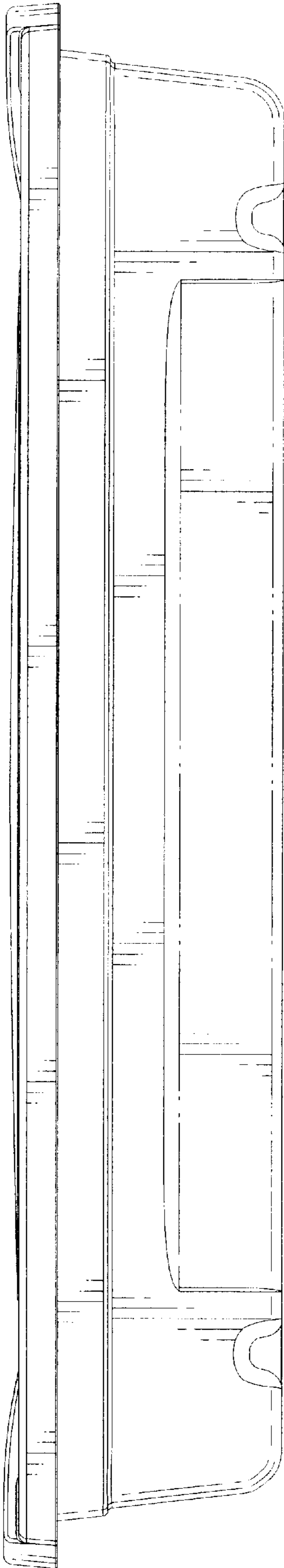


FIGURE 2

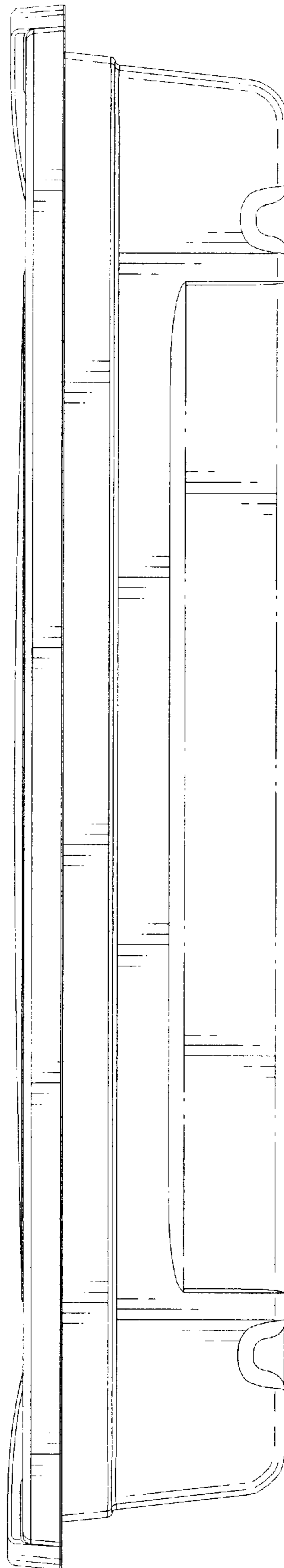


FIGURE 3

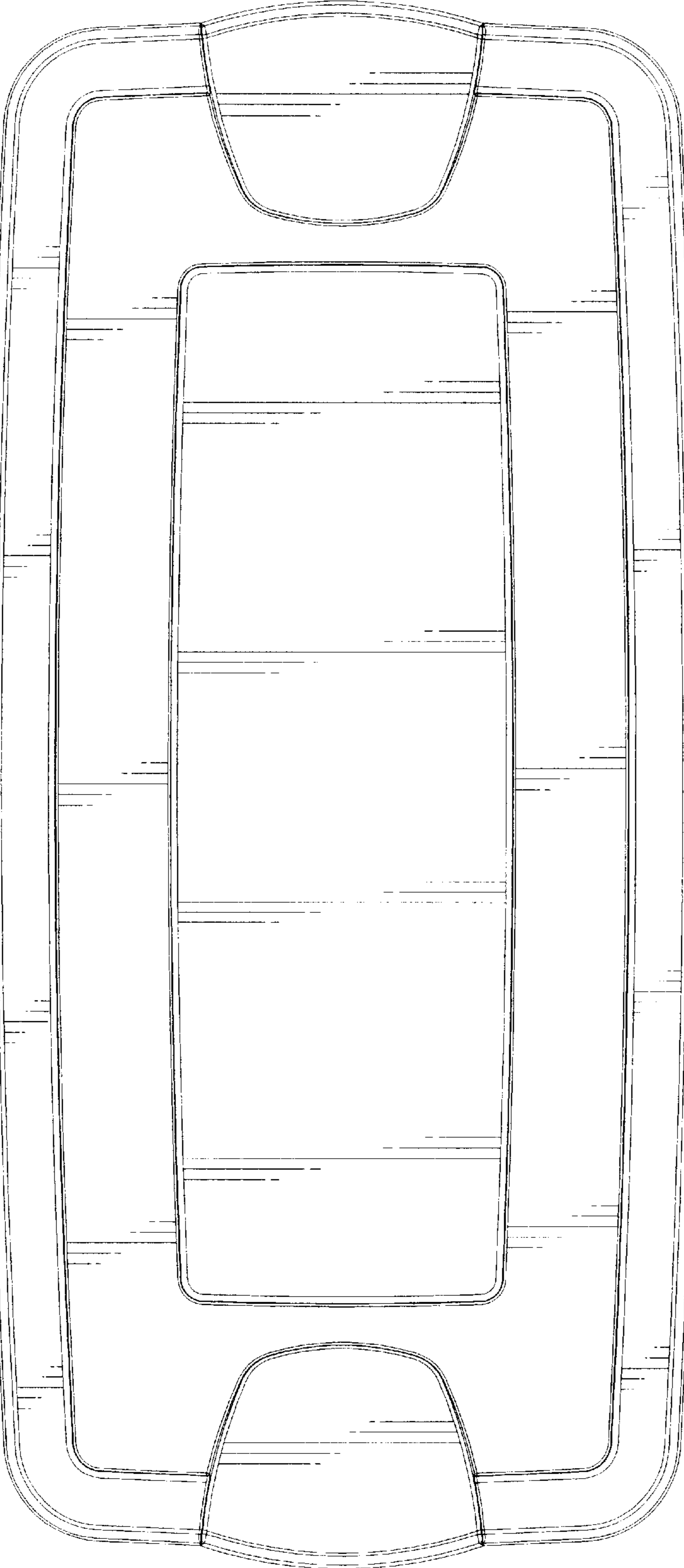


FIGURE 4

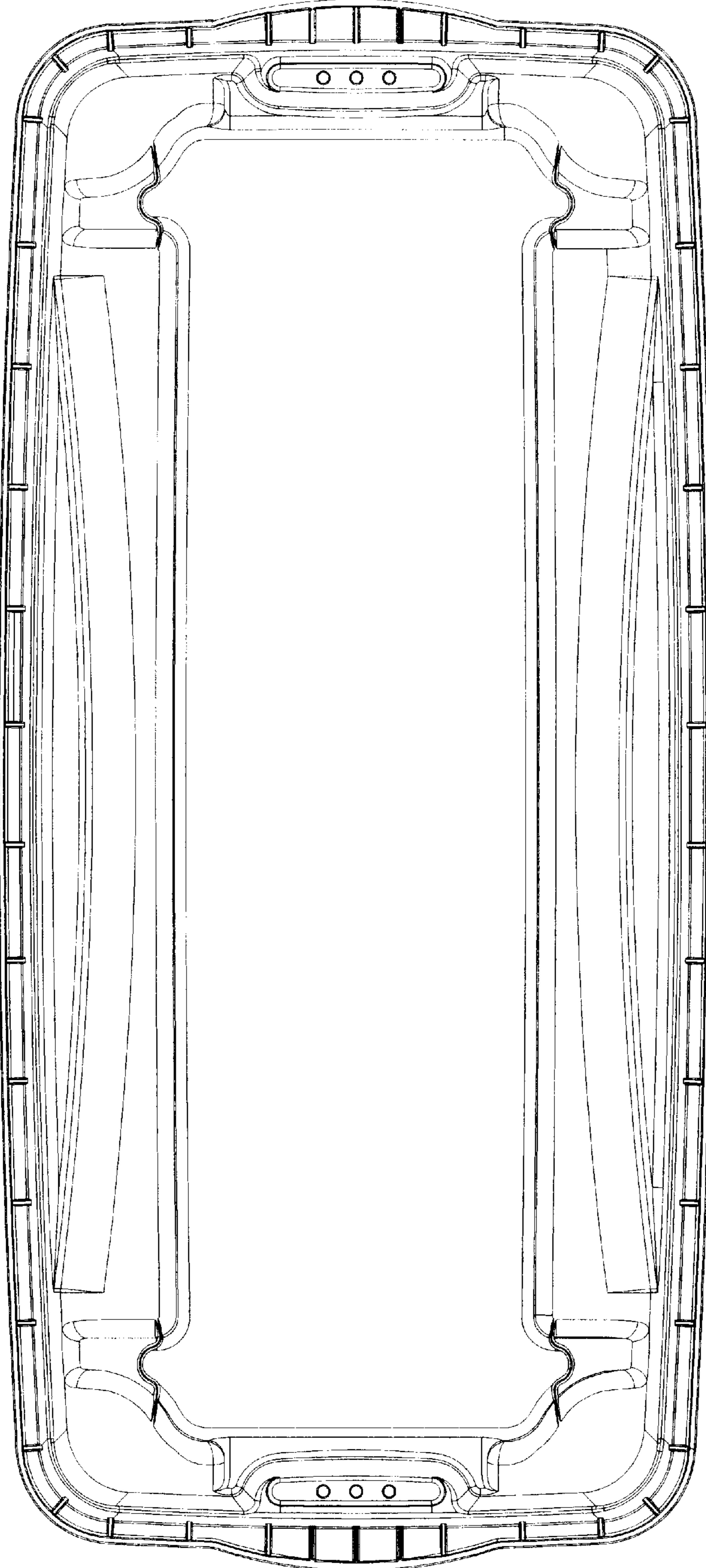


FIGURE 5

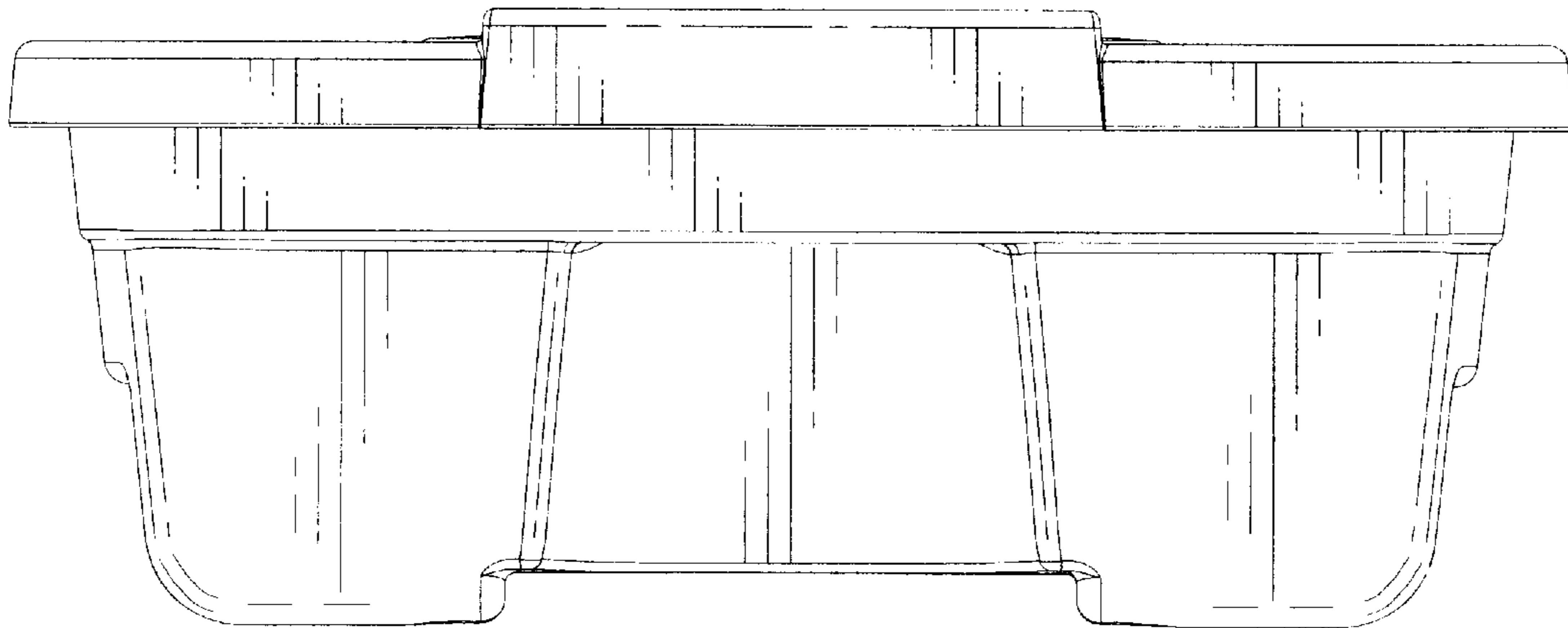


FIGURE 6

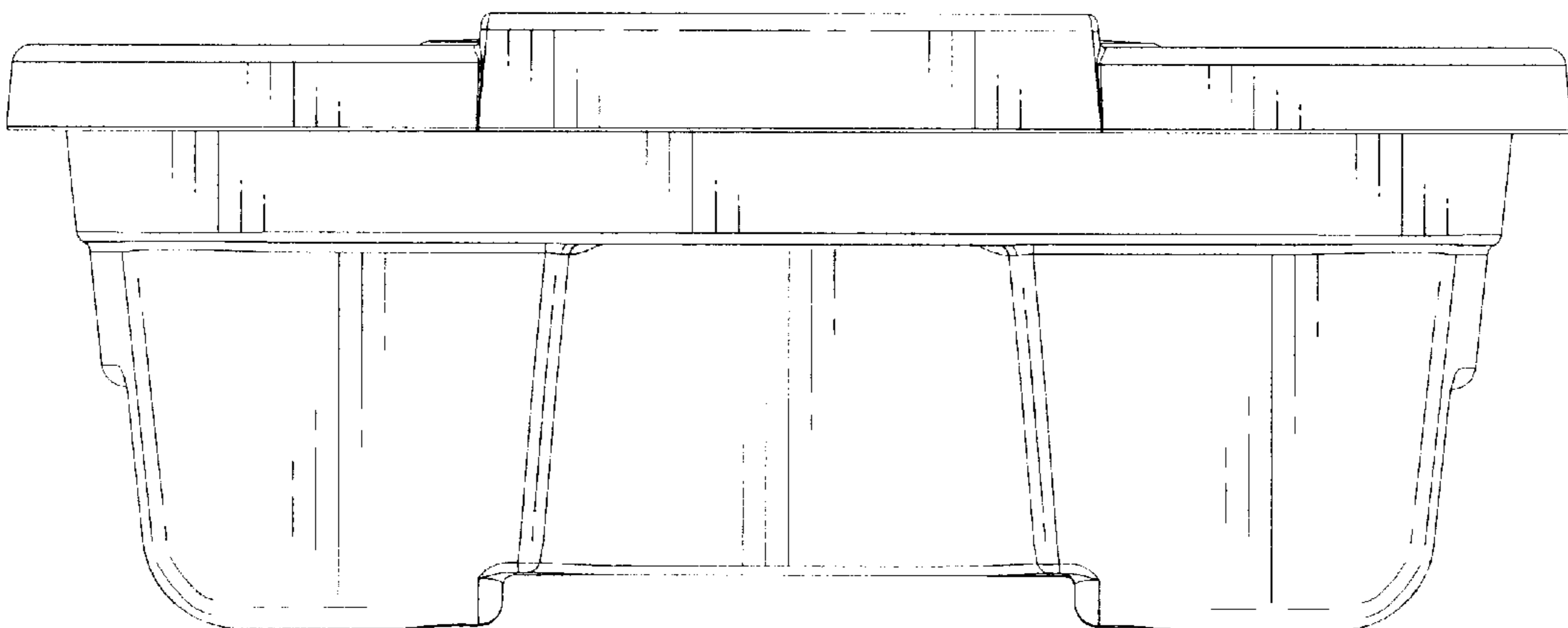


FIGURE 7