



US00D513870S

(12) **United States Design Patent**
Rosine et al.

(10) **Patent No.: US D513,870 S**
(45) **Date of Patent: ** Jan. 31, 2006**

(54) **JUMBO STORAGE BIN**
(75) Inventors: **Lyle A. Rosine**, Batavia, IL (US);
Torrence Anderson, Overland Park, IL (US)
(73) Assignee: **Suncast Corporation**, Batavia, IL (US)
(**) Term: **14 Years**

(21) Appl. No.: **29/202,043**
(22) Filed: **Mar. 25, 2004**

(51) **LOC (8) Cl.** **03-01**
(52) **U.S. Cl.** **D3/273; D3/302**
(58) **Field of Classification Search** **D3/272,**
D3/273, 281, 294, 302, 276, 905; D9/423,
D9/424; 206/508, 511, 512; 220/796
See application file for complete search history.

(56) **References Cited**
U.S. PATENT DOCUMENTS

D286,937 S * 11/1986 Schafer D3/272
5,042,674 A * 8/1991 Ramsay et al. 220/4.24
5,065,885 A * 11/1991 Scaroni 220/326
D349,646 S * 8/1994 Dickinson D9/423
D361,511 S * 8/1995 Dickinson et al. D9/425
D373,953 S * 9/1996 Gale D9/425

D374,774 S * 10/1996 Cassel D3/294
D378,552 S * 3/1997 Lippisch D3/273
D381,512 S * 7/1997 Green D3/294
D382,112 S * 8/1997 Egan D3/273
D394,550 S * 5/1998 Tanji D3/273
D408,631 S * 4/1999 Dickinson et al. D3/302
D414,038 S * 9/1999 van Rhielen D3/302

* cited by examiner

Primary Examiner—Philip S. Hyder
(74) *Attorney, Agent, or Firm*—McHale & Slavin, P.A.

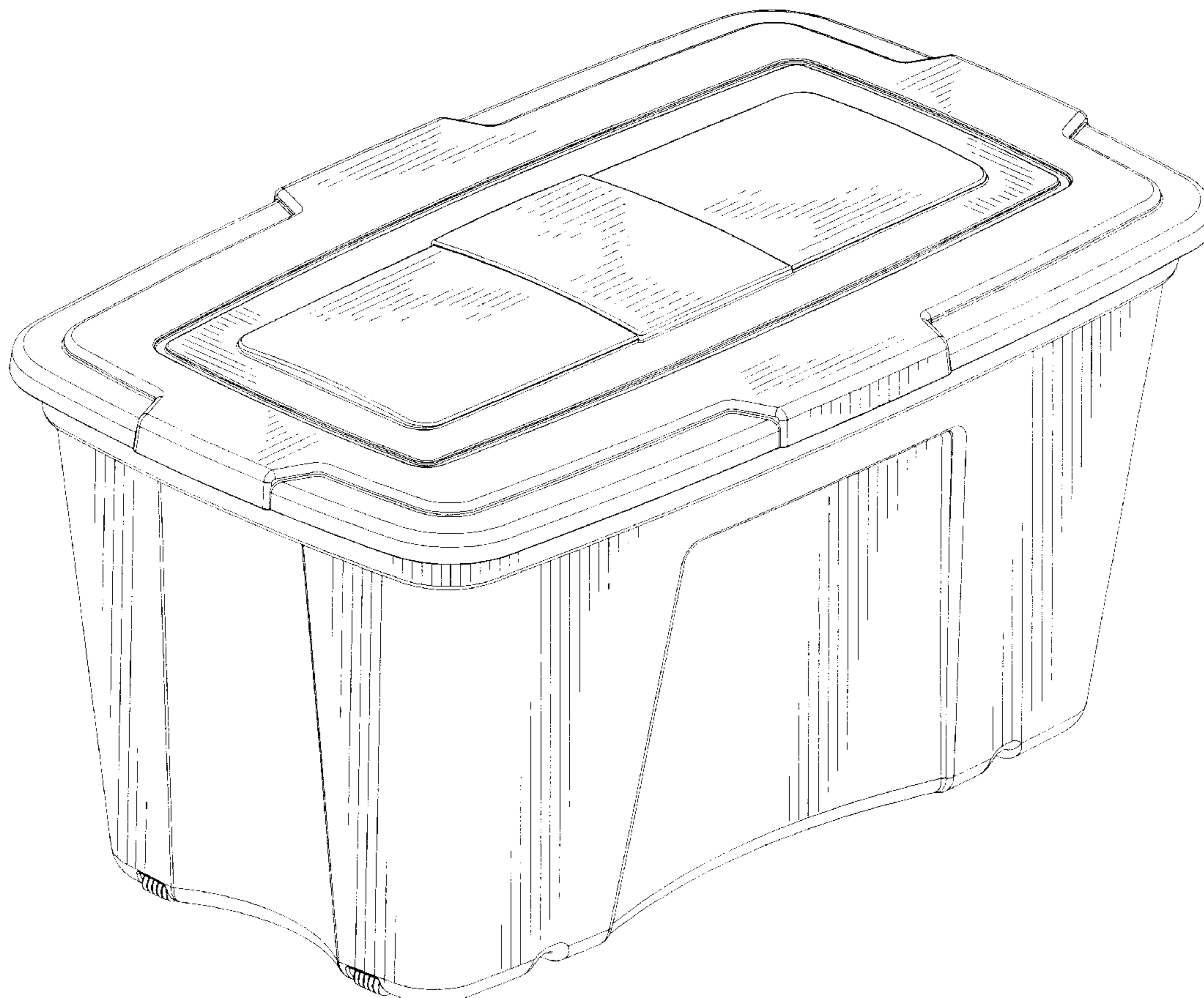
(57) **CLAIM**

The ornamental design for a jumbo storage bin, as shown and described.

DESCRIPTION

FIG. 1 is a perspective view of the jumbo storage bin of the instant invention;
FIG. 2 is a front elevation view thereof;
FIG. 3 is a rear view thereof;
FIG. 4 is a right side view thereof;
FIG. 5 is a left side view thereof;
FIG. 6 is a top plan view thereof; and,
FIG. 7 is a bottom plan view thereof.

1 Claim, 7 Drawing Sheets



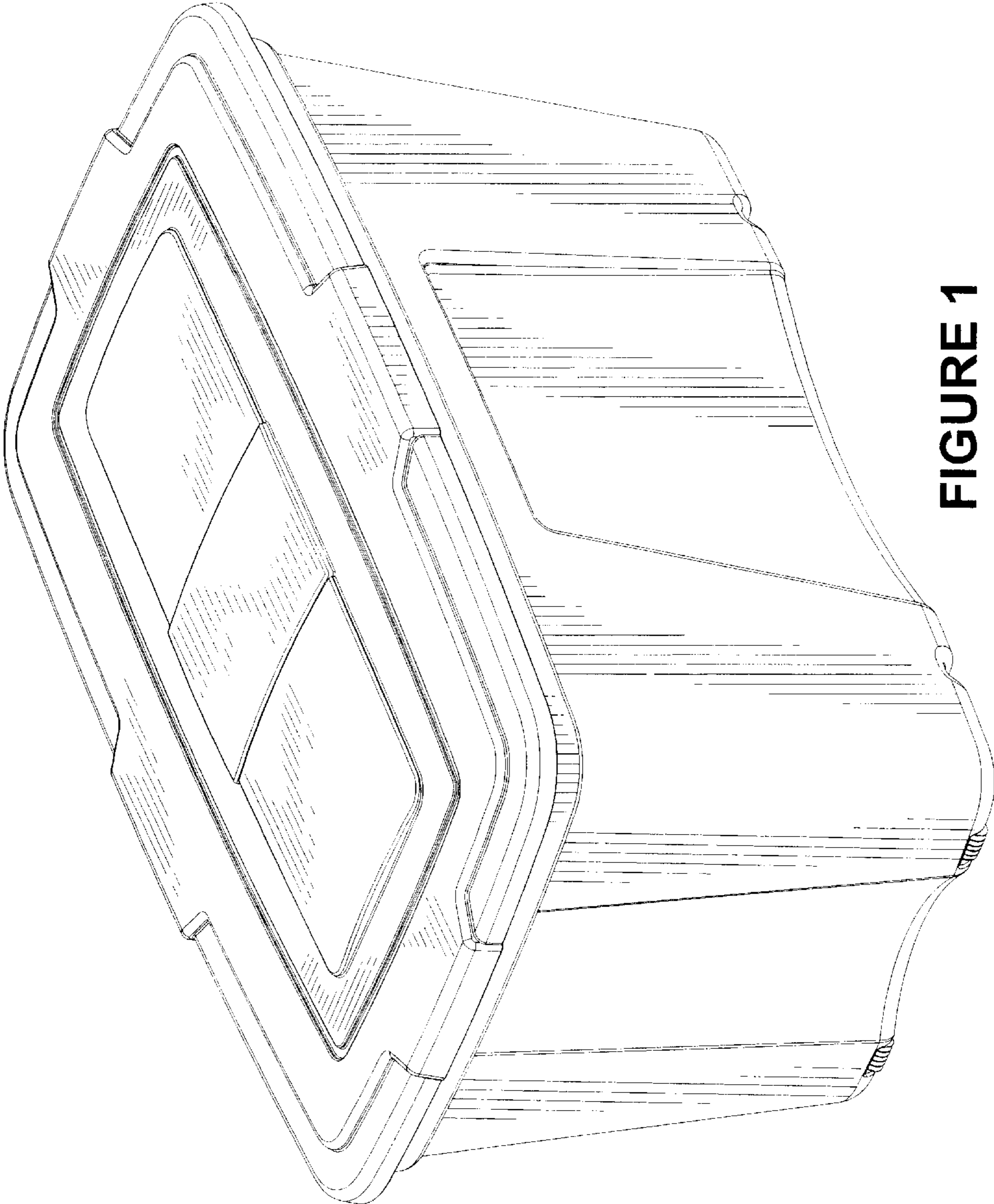


FIGURE 1

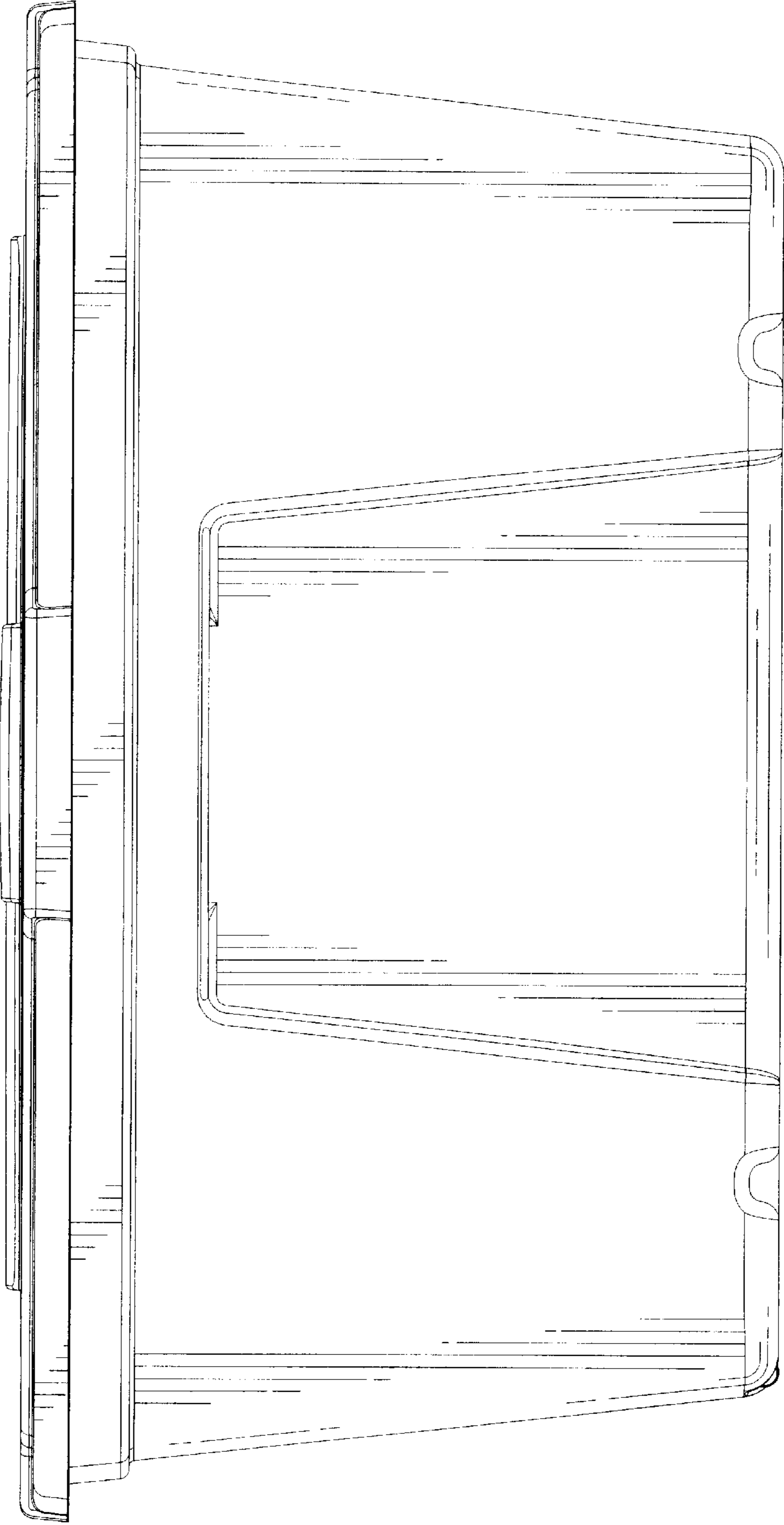


FIGURE 2

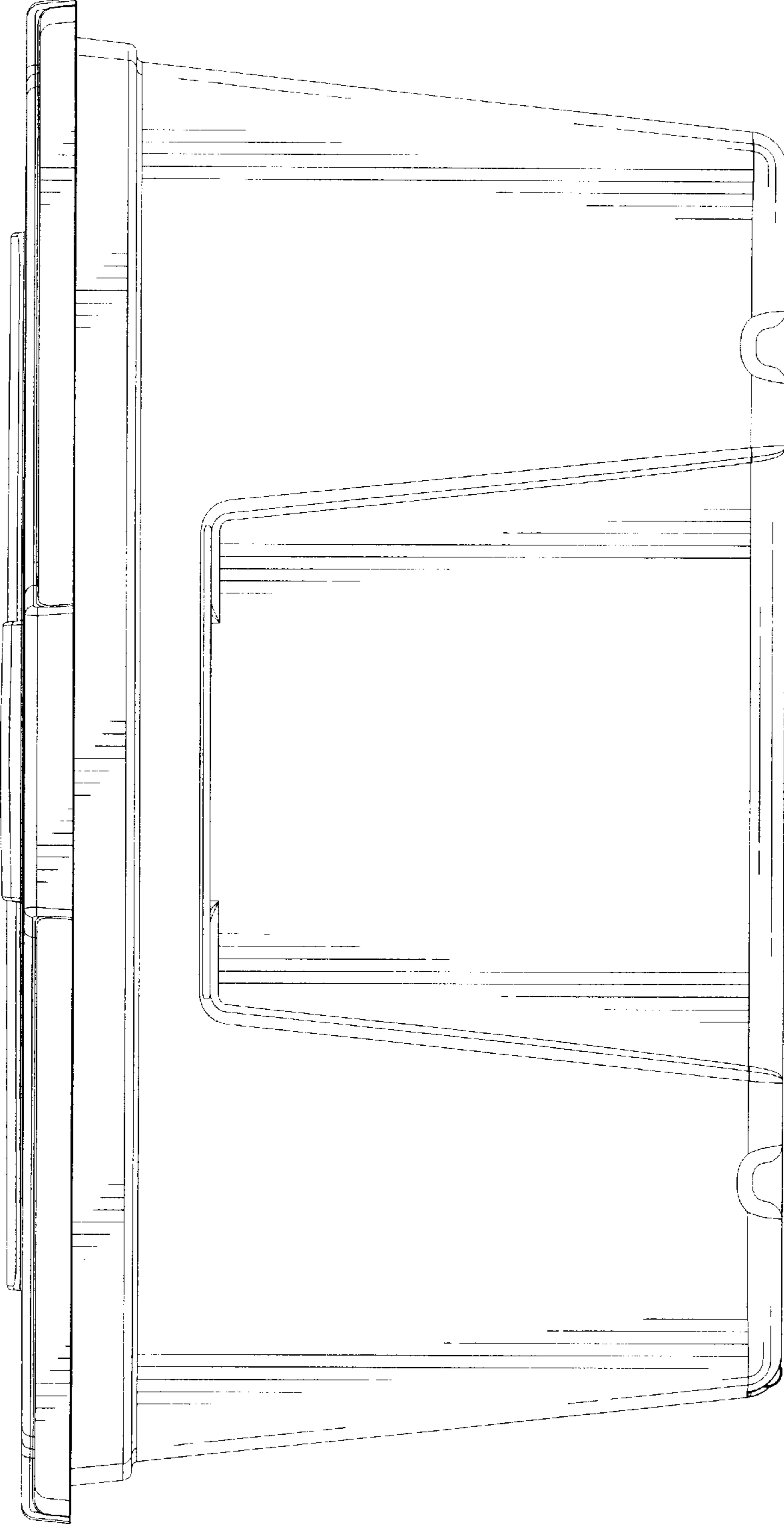


FIGURE 3

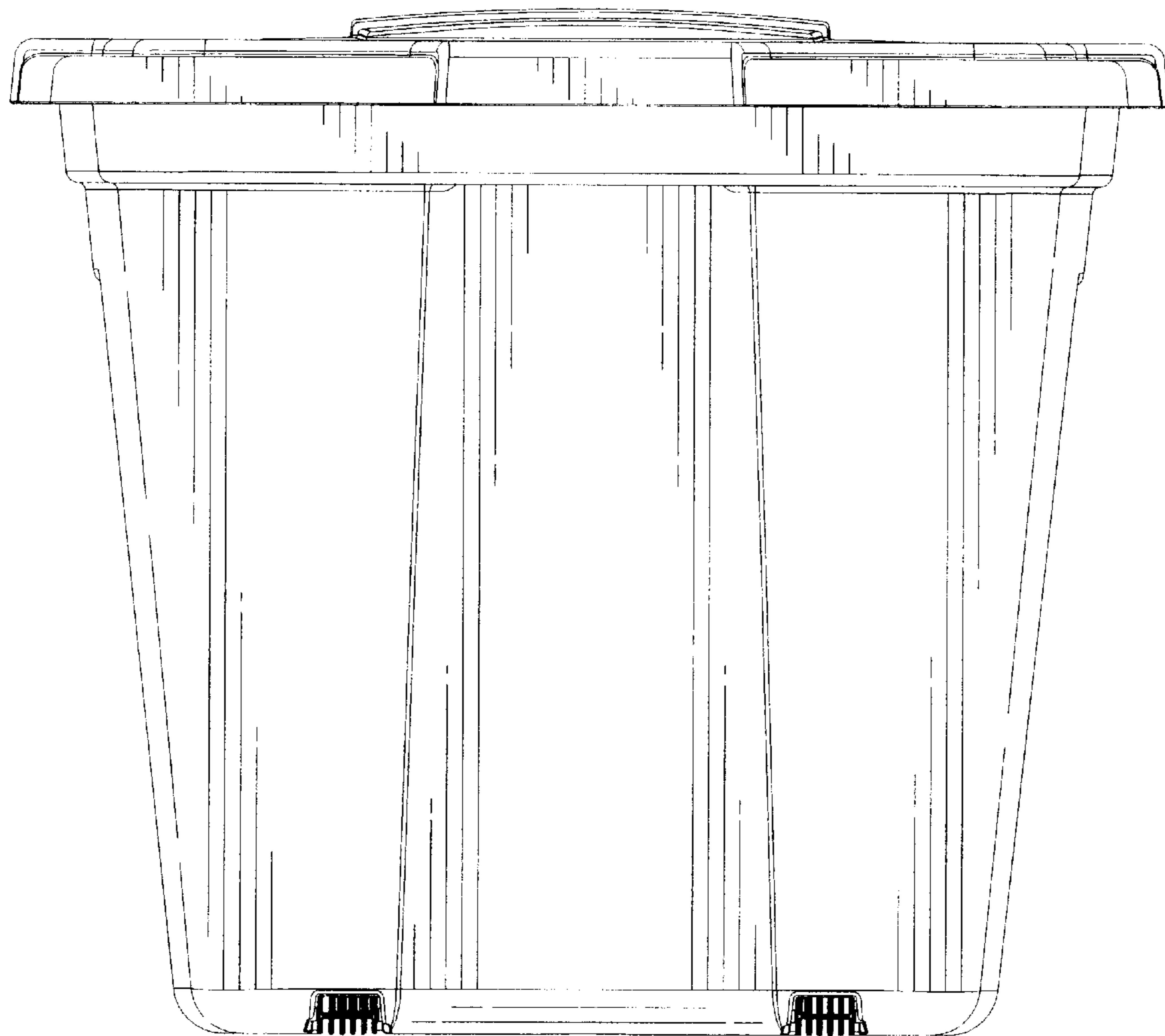


FIGURE 4

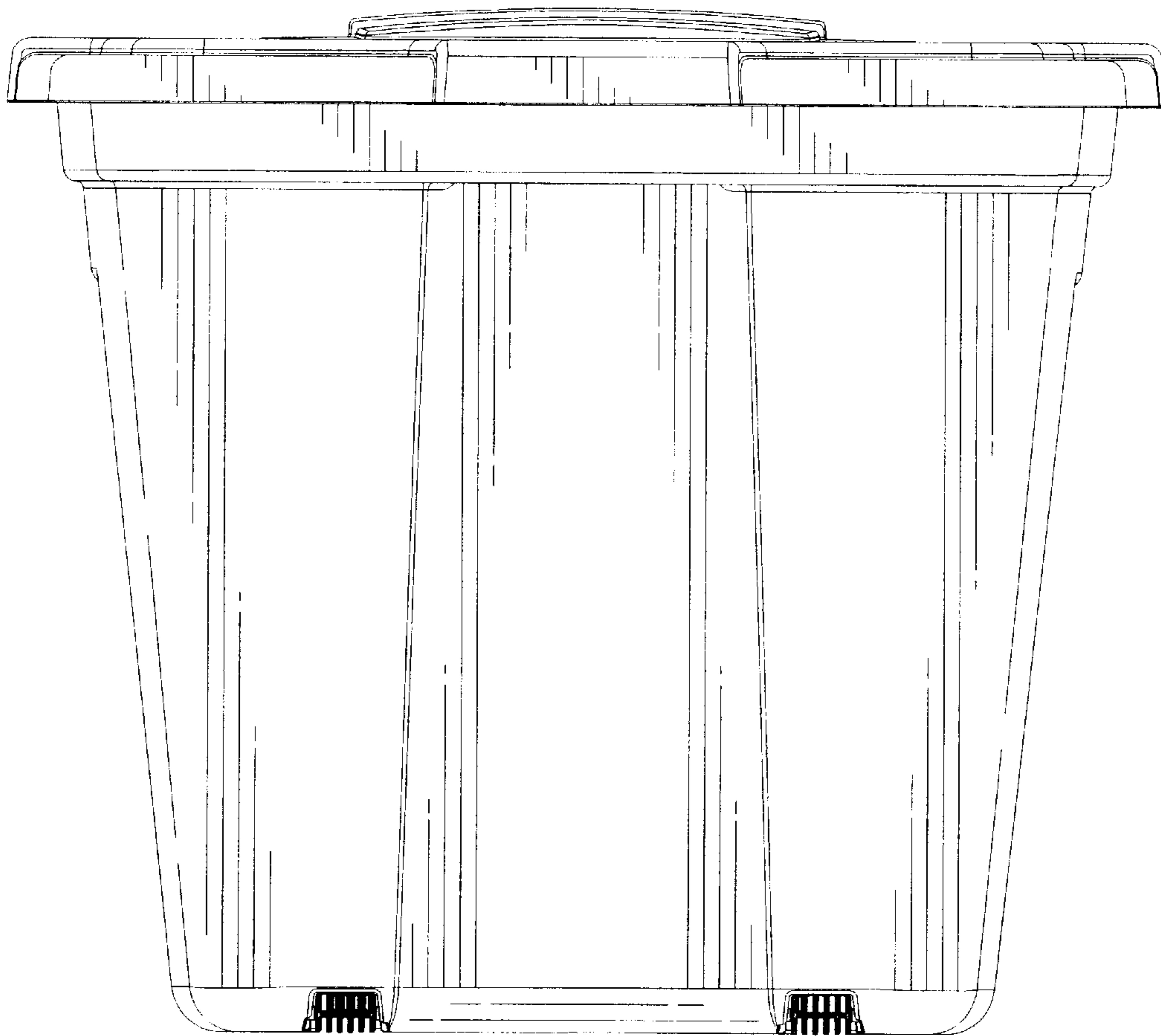


FIGURE 5

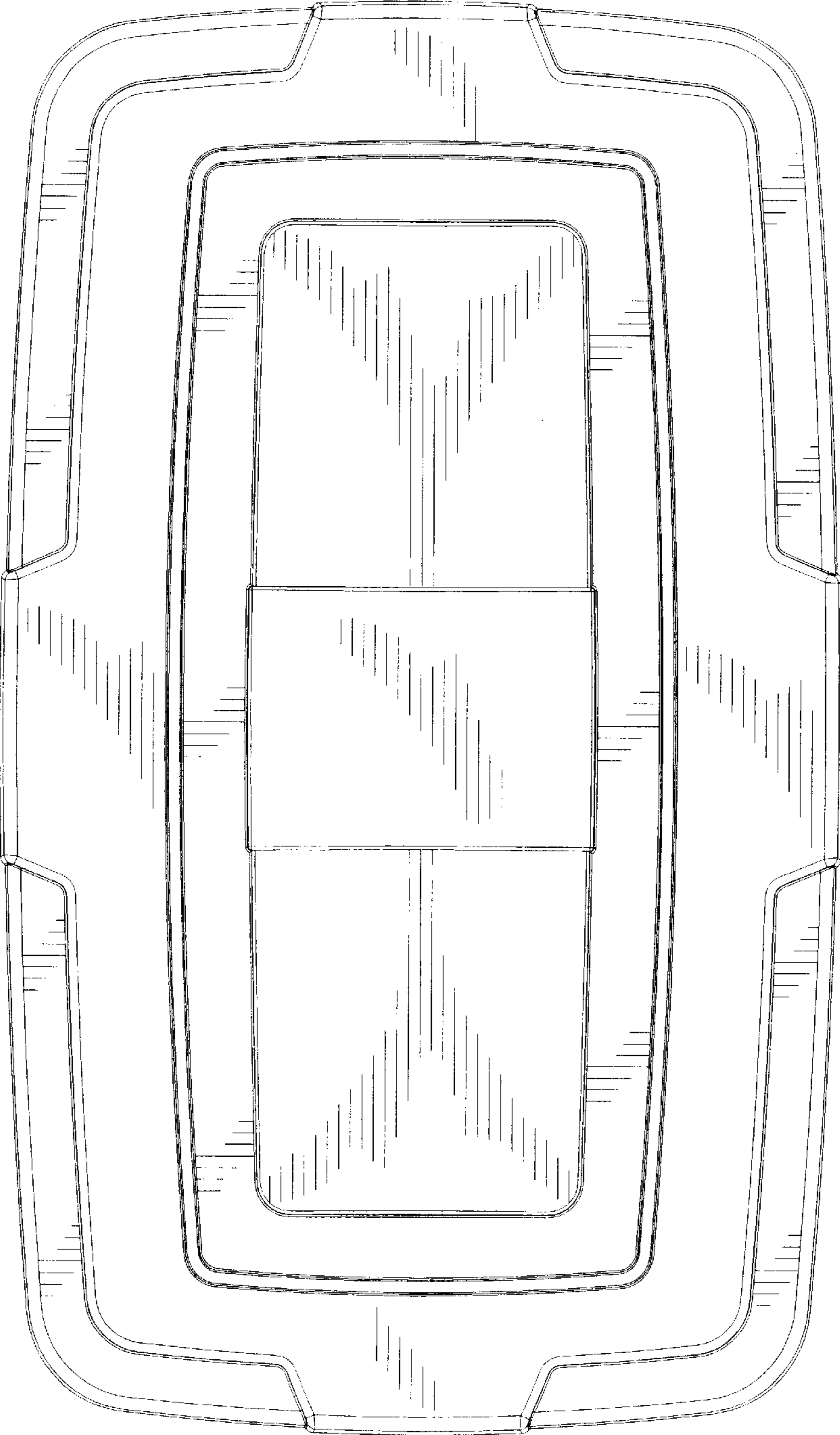


FIGURE 6

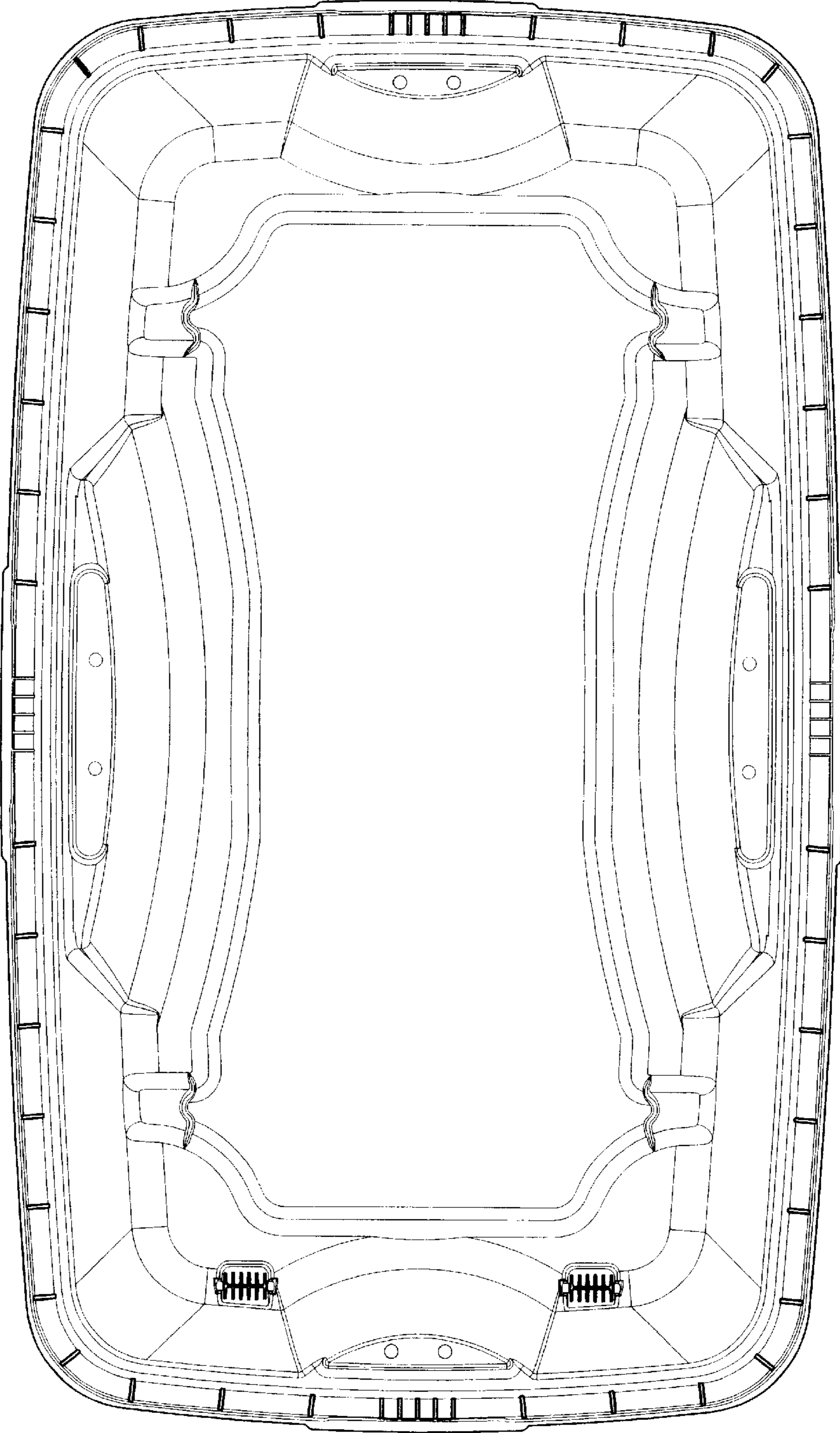


FIGURE 7