



US00D513866S

(12) **United States Design Patent**
Goffinet

(10) **Patent No.:** **US D513,866 S**
(45) **Date of Patent:** **** Jan. 31, 2006**

(54) **TOOL HOLDER**

D453,069 S * 1/2002 Smith D3/228

(76) **Inventor:** **Rodney Arthur Goffinet**, 1736 Adonis Way, Sacramento, CA (US) 95864

* cited by examiner

Primary Examiner—Catherine R. Oliver

(**) **Term:** **14 Years**

(57) **CLAIM**

The ornamental design for a tool holder, as shown.

(21) **Appl. No.:** **29/211,043**

(22) **Filed:** **Aug. 10, 2004**

DESCRIPTION

(51) **LOC (8) Cl.** **03-01**

FIG. 1 is a perspective view of a tool holder showing my new design;

(52) **U.S. Cl.** **D3/228**

FIG. 2 is a left-side view thereof;

(58) **Field of Classification Search** D3/228,

FIG. 3 is a top view thereof;

D3/215, 221, 329; 224/269, 240, 245, 252,

FIG. 4 is a bottom view thereof;

224/901, 904, 673, 677

FIG. 5 is a front view thereof;

See application file for complete search history.

FIG. 6 is a right-side view thereof; and,

FIG. 7 is a rear view thereof.

(56) **References Cited**

The broken line showing of environment in the drawing of FIG. 1 is for illustrative purposes only and forms no part of the claimed design.

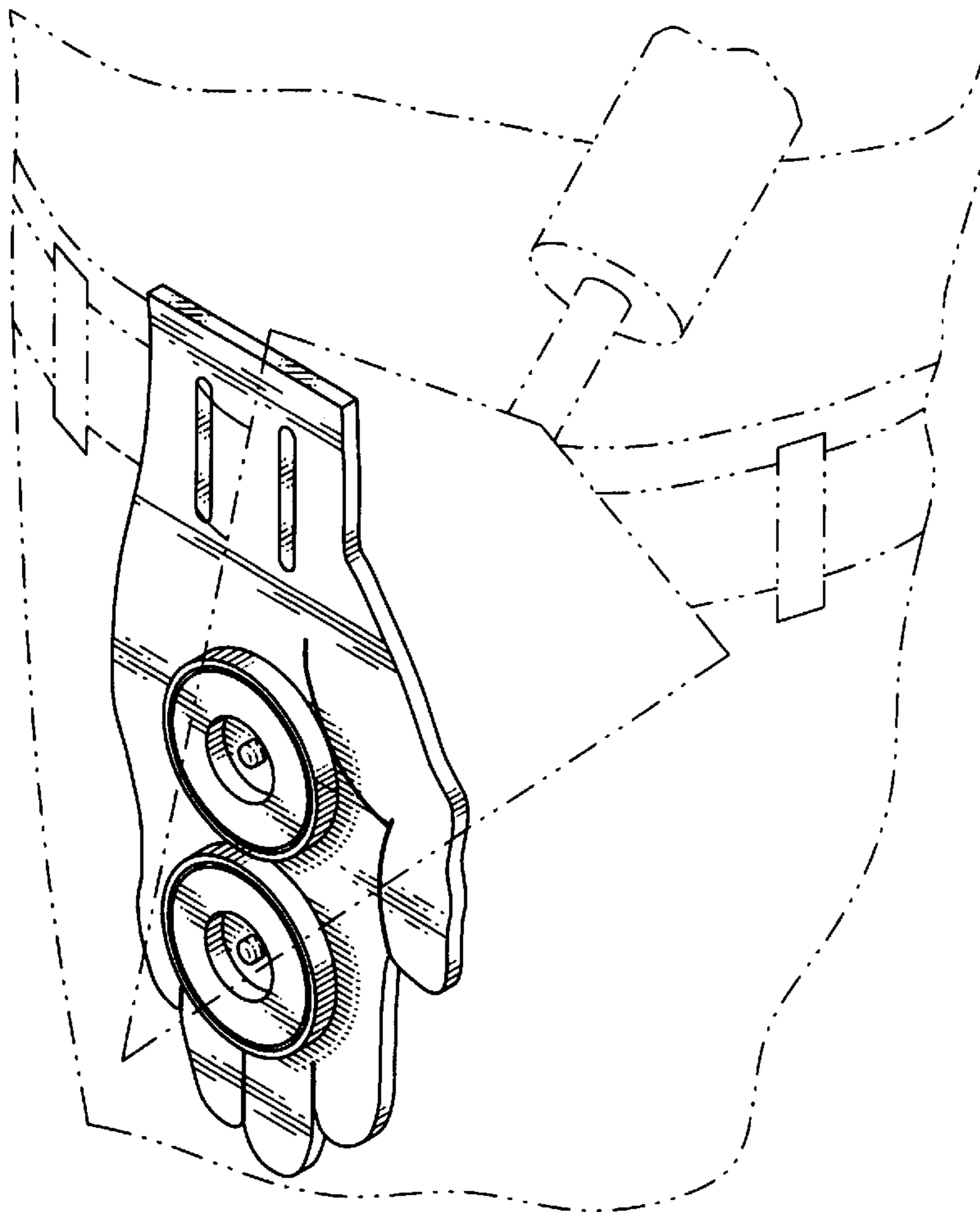
U.S. PATENT DOCUMENTS

D399,650 S * 10/1998 Lee D3/329

D424,293 S * 5/2000 Knox D3/221

D452,610 S * 1/2002 Schwartzmiller D3/228

1 Claim, 2 Drawing Sheets



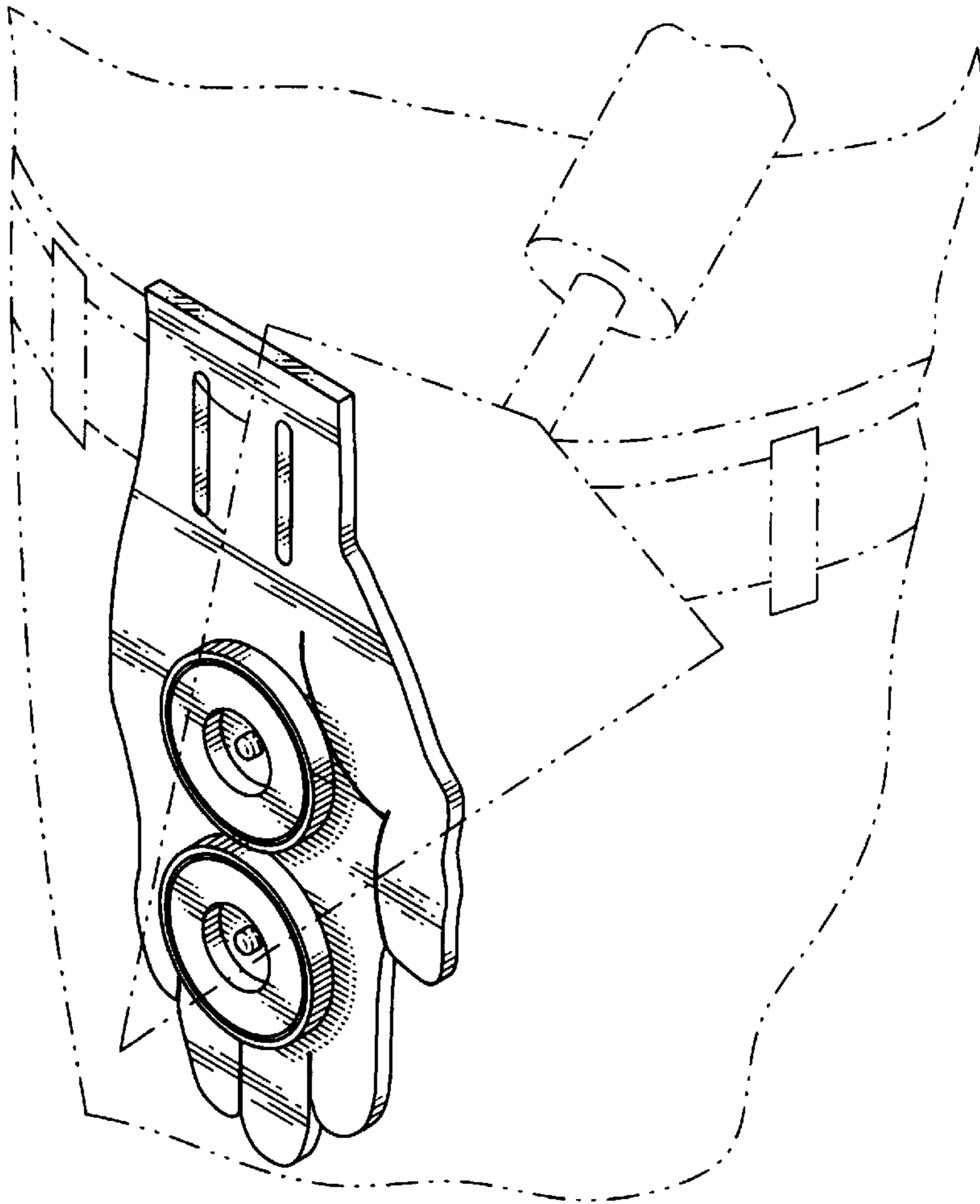


Fig. 1



Fig. 3



Fig. 4



Fig. 2

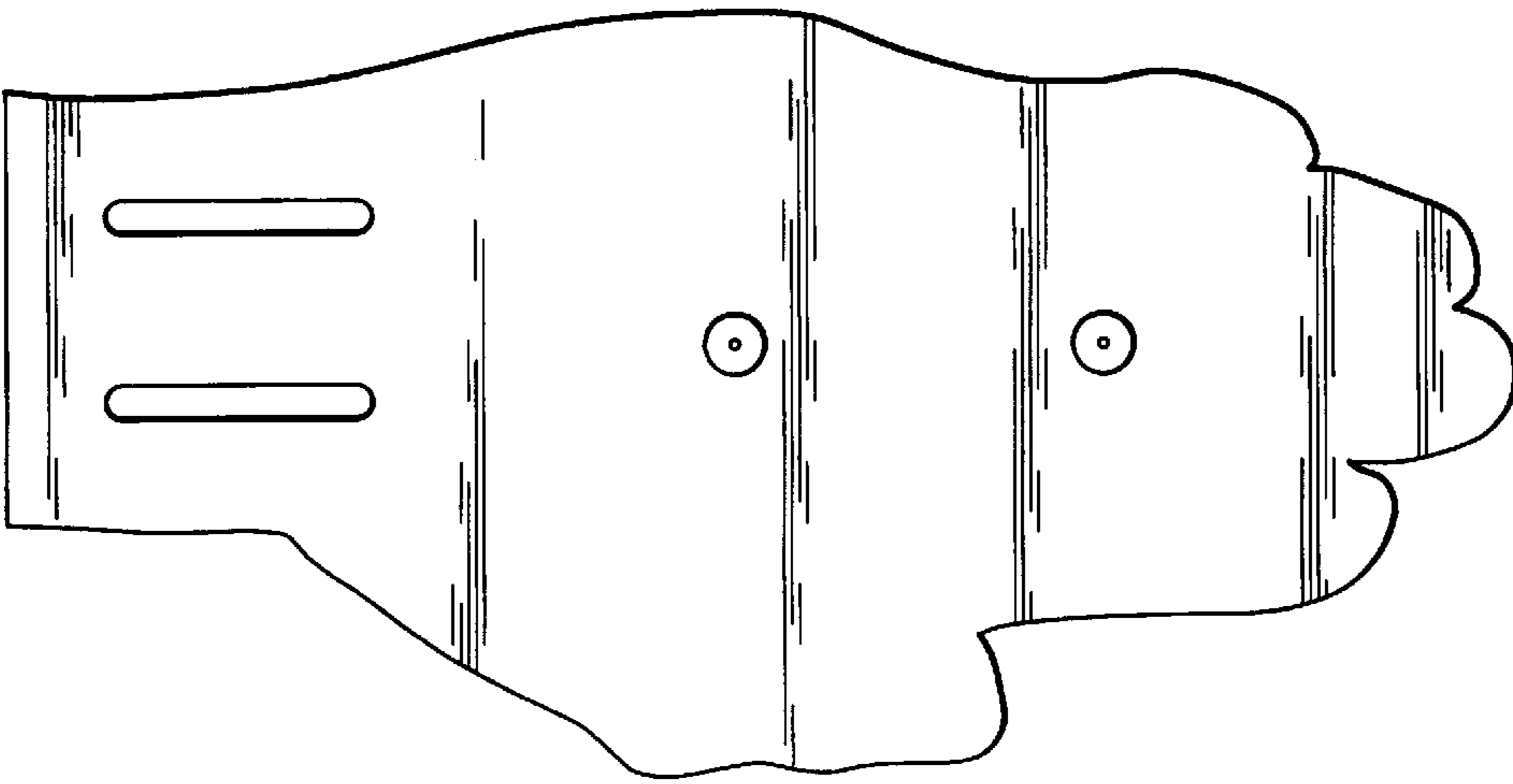


Fig. 7

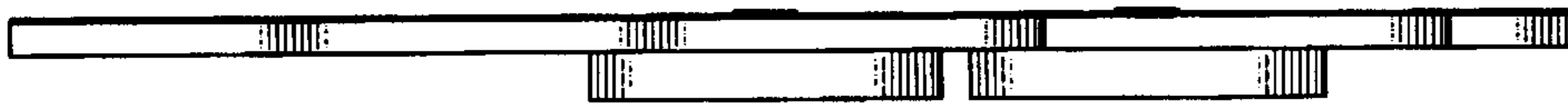


Fig. 6

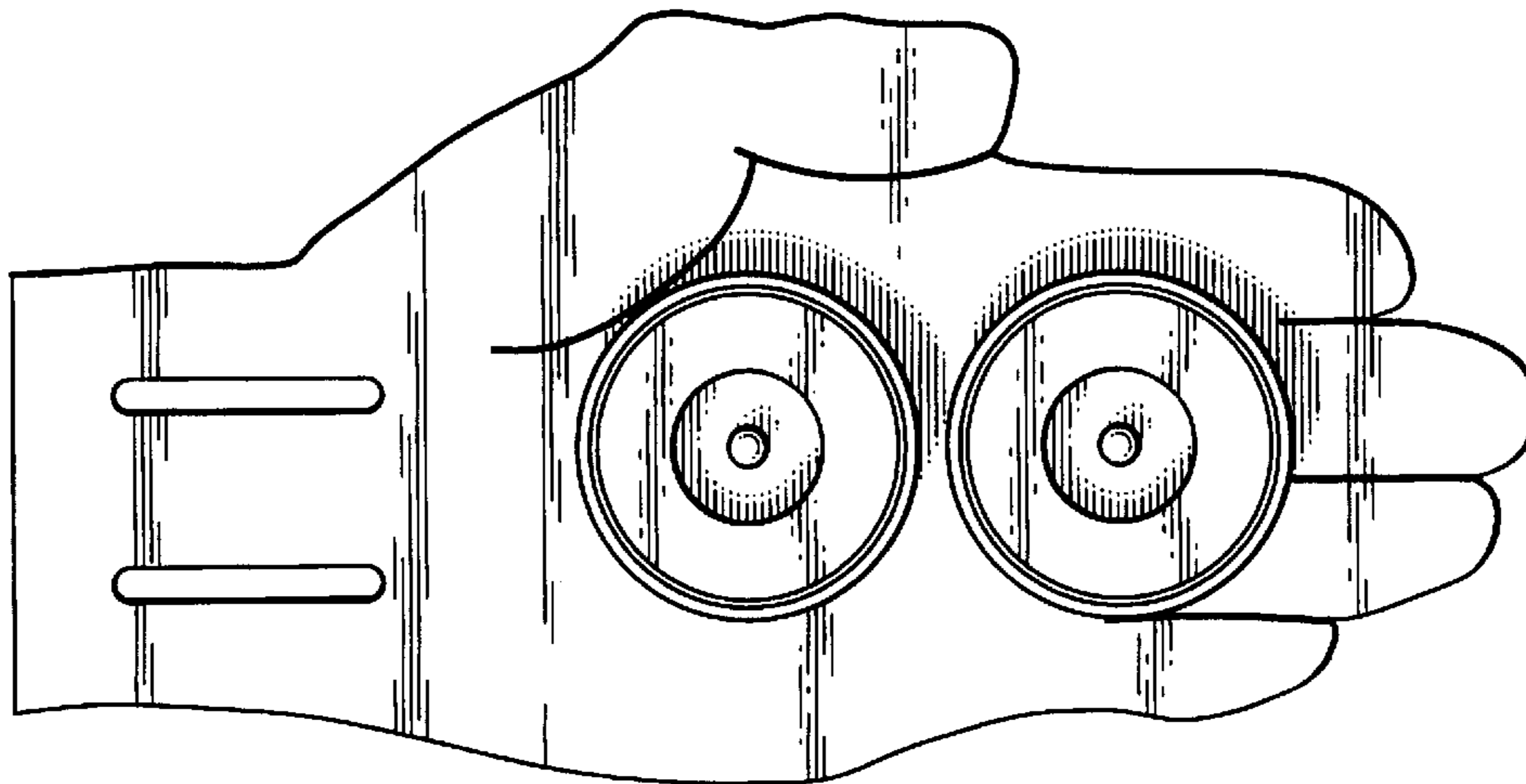


Fig. 5