

US00D513856S

(12) **United States Design Patent** (10) **Patent No.:** **US D513,856 S**
Fullum (45) **Date of Patent:** **** Jan. 31, 2006**

(54) **PORTION OF A SHOE UPPER**

(75) Inventor: **Jean-François Fullum**, Portland, OR (US)

(73) Assignee: **Nike, Inc.**, Beaverton, OR (US)

(**) Term: **14 Years**

(21) Appl. No.: **29/221,994**

(22) Filed: **Jan. 26, 2005**

Related U.S. Application Data

(63) Continuation-in-part of application No. 29/208,445, filed on Jun. 30, 2004, now Pat. No. Des. 504,012.

(51) **LOC (8) Cl.** **02-99**

(52) **U.S. Cl.** **D2/972**

(58) **Field of Classification Search** D2/902, D2/907, 908, 943, 944, 969, 972-974; 36/45, 36/50.1, 77 M, 77 R, 83, 88, 113, 114, 126-131, 36/136

See application file for complete search history.

(56) **References Cited**

U.S. PATENT DOCUMENTS

D33,765 S 12/1900 Home
D35,348 S 11/1901 Mason
D86,759 S 4/1932 Bancroft

(Continued)

OTHER PUBLICATIONS

Nike Footwear Catalog Spring 2005, pp. M4, M8, M12, W 21 published Jun. 2004.

Nike Footwear Catalog Fall 2005, p. M9; published Nov. 2004.

Nike Footwear Catalog Holiday 1995, p. M5, published Mar. 1995.

Nike Footwear Catalog Fall 1997, pp. M9, M12, published Dec. 1996.

Nike Footwear Catalog Holiday 1998, p. W10, published Feb. 1998.

Nike Footwear Catalog Spring 2000 #2, p. W40, published Jul. 1999.

Nike Footwear Catalog Late Spring 2003, p. M3, published Sep. 2002.

Nike Footwear Catalog Holiday 2003, p. W20, published Mar. 2003.

Nike Footwear Catalog Late Spring 2004, pp. W5, W6, W65, W95, M2, published Sep. 2003.

Nike Footwear Catalog Fall 2004, pp. W6, W16, M48, M86, published Nov. 2003.

Nike Footwear Catalog Holiday 2004, pp. M15, M16, M40, W19 published Mar. 2004.

Nike Footwear Catalog Spring 2005, pp. W4, W8, W9, W21, M13, published Jun. 2004.

Nike Footwear Catalog Fall 2005, p. 9, published Nov. 2004.

Primary Examiner—Dominic Simone

(74) *Attorney, Agent, or Firm*—Banner & Witcoff, Ltd.

(57) **CLAIM**

The ornamental design for a portion of a shoe upper, as shown and described.

DESCRIPTION

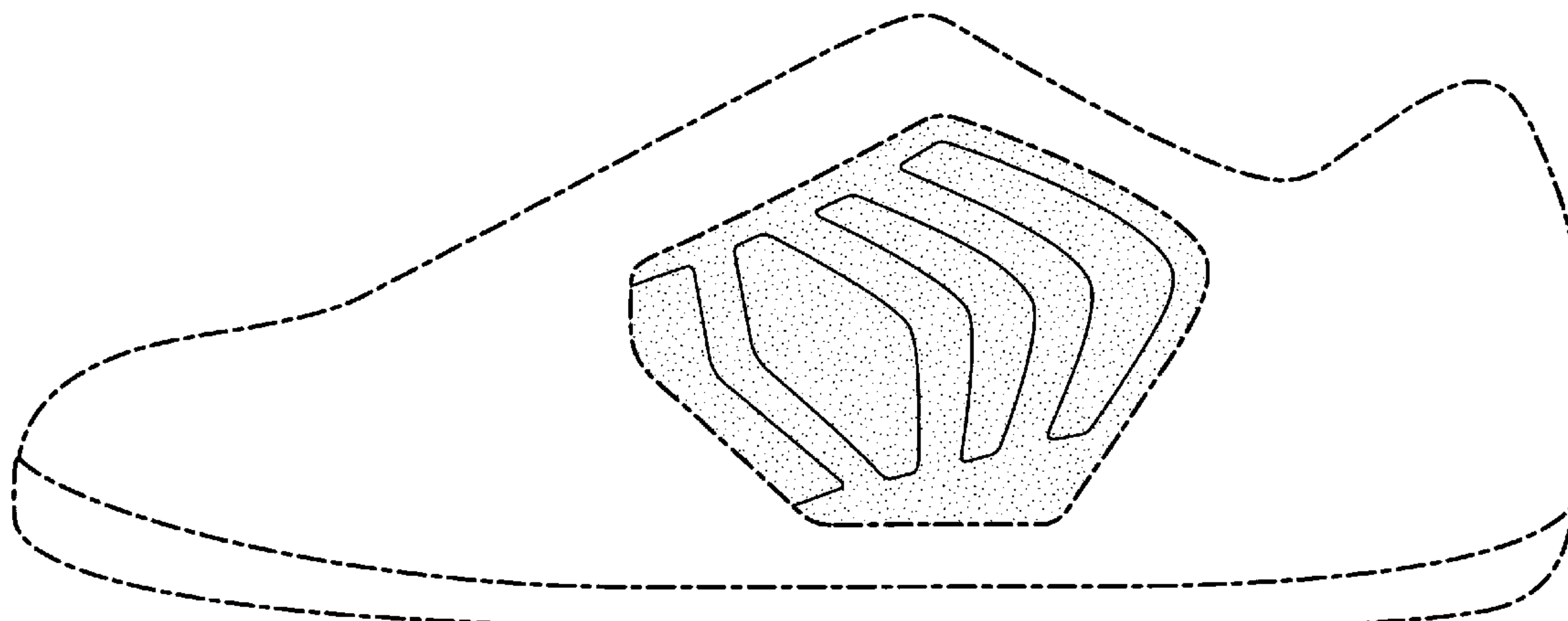
FIG. 1 is a perspective view of a portion of a shoe upper showing my new design;

FIG. 2 is a side view of one side thereof; and,

FIG. 3 is a top view thereof.

The uneven broken line showing the remainder of the shoe is for illustrative purposes only and forms no part of the claimed design. The uneven broken line immediately adjacent to the shaded area represents an unclaimed boundary of the design.

1 Claim, 3 Drawing Sheets



US D513,856 S

Page 2

U.S. PATENT DOCUMENTS

| | | | | | |
|------------|---------|-----------------|--------------|---------|---------------------|
| D146,774 S | 5/1947 | Parker | D361,884 S | 9/1995 | Lozano |
| D173,699 S | 12/1954 | Hosker | D362,953 S | 10/1995 | Greene |
| D173,700 S | 12/1954 | Hosker | D364,499 S | 11/1995 | Avar |
| D174,987 S | 6/1955 | Gillis | D365,201 S | 12/1995 | Avar |
| D226,883 S | 5/1973 | Babicka | D385,411 S | 10/1997 | Cooper et al. |
| D237,425 S | 11/1975 | Askew | D385,996 S | 11/1997 | Tresser |
| D239,479 S | 4/1976 | Senter | D386,896 S | 12/1997 | Fogg |
| D297,184 S | 8/1988 | Tong | D392,794 S | 3/1998 | Greene |
| D299,081 S | 12/1988 | Greenberg | D401,052 S | 11/1998 | Lozano |
| D309,824 S | 8/1990 | Aveni et al. | D404,554 S | 1/1999 | Kelchak |
| D316,927 S | 5/1991 | Quan et al. | D404,558 S | 1/1999 | Blakeslee |
| D318,563 S | 7/1991 | Lucas | D404,904 S | 2/1999 | Greenberg |
| D319,142 S | 8/1991 | Quan et al. | D406,448 S | 3/1999 | Rask |
| D319,721 S | 9/1991 | Clark | D412,054 S | 7/1999 | Gray et al. |
| D324,445 S | 3/1992 | Quan et al. | D429,876 S | 8/2000 | Vestuti |
| D325,120 S | 4/1992 | Clark | D430,725 S | 9/2000 | McDowell |
| D326,352 S | 5/1992 | Feller et al. | D438,697 S | 3/2001 | Matis et al. |
| D327,162 S | 6/1992 | Hatfield | D440,756 S | 4/2001 | Cooper |
| D329,531 S | 9/1992 | Smith | D449,730 S | 10/2001 | McDowell |
| D330,451 S | 10/1992 | Hatfield | D452,608 S | 1/2002 | McDowell |
| D331,145 S | 11/1992 | Cheng | D457,296 S | 5/2002 | Burt |
| D334,275 S | 3/1993 | Miller et al. | D458,015 S | 6/2002 | Dolan et al. |
| D337,872 S | 8/1993 | Bevier | D467,722 S | 12/2002 | Wahoske |
| D339,223 S | 9/1993 | Crowley | D475,519 S | 6/2003 | Morris |
| D339,446 S | 9/1993 | Teague | D484,300 S | 12/2003 | Smith |
| D339,450 S | 9/1993 | Smith | D485,052 S | 1/2004 | Holmes |
| D339,451 S | 9/1993 | Greene | D486,624 S | 2/2004 | Taylor |
| D343,722 S | 2/1994 | Lucas | D487,336 S | 3/2004 | Matis |
| D345,248 S | 3/1994 | Teague | D494,355 S | 8/2004 | Allen |
| D346,061 S | 4/1994 | Teague | D495,125 S | 8/2004 | Cessor |
| D348,767 S | 7/1994 | Hatfield et al. | D495,864 S | 9/2004 | Herbst |
| D349,396 S | 8/1994 | Hatfield | D495,865 S | 9/2004 | Lee |
| D356,207 S | 3/1995 | Rana | D504,012 S * | 4/2005 | Fullum D2/972 |
| D356,209 S | 3/1995 | Avar | D504,219 S | 4/2005 | Morris |

* cited by examiner

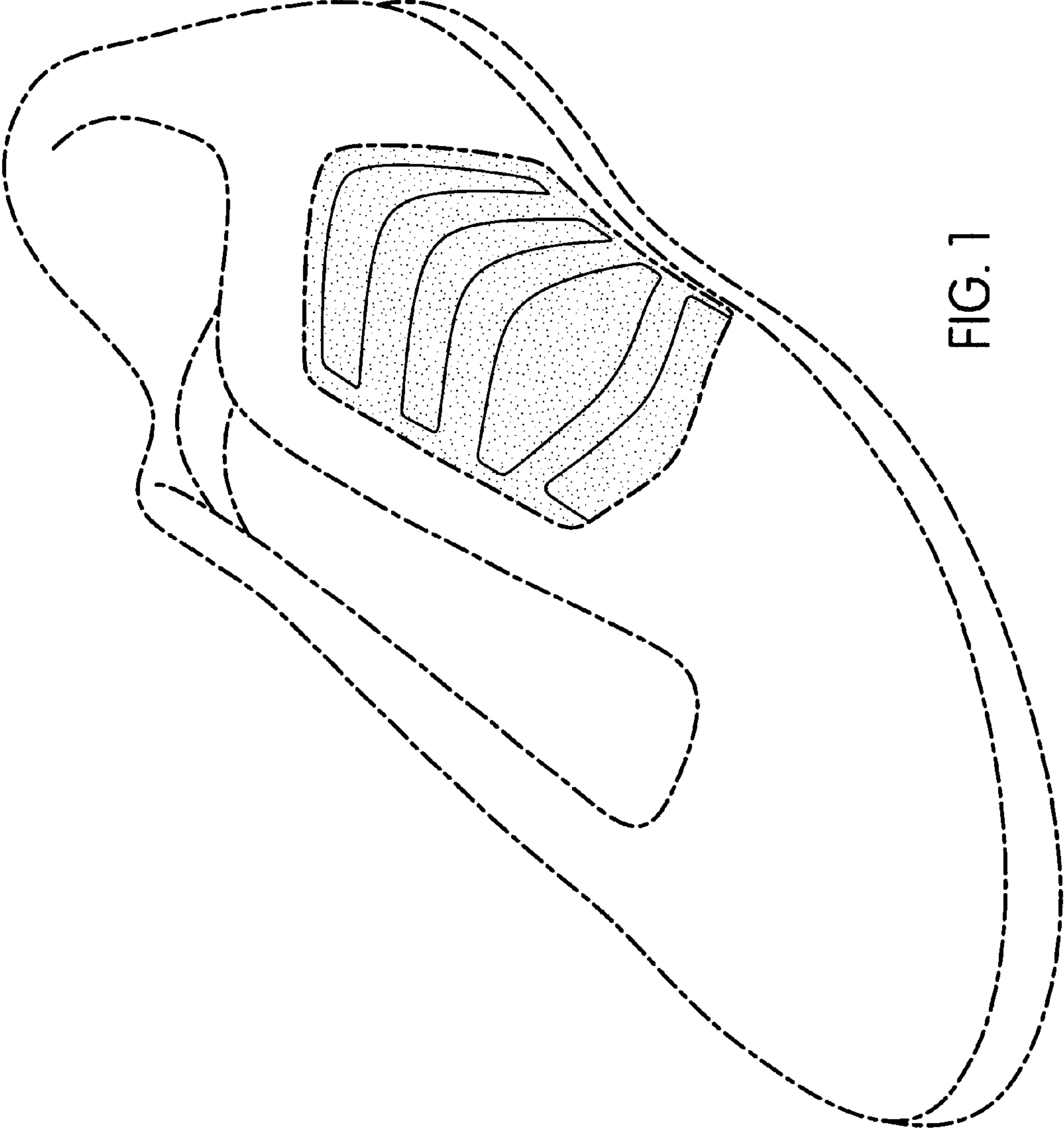


FIG. 1

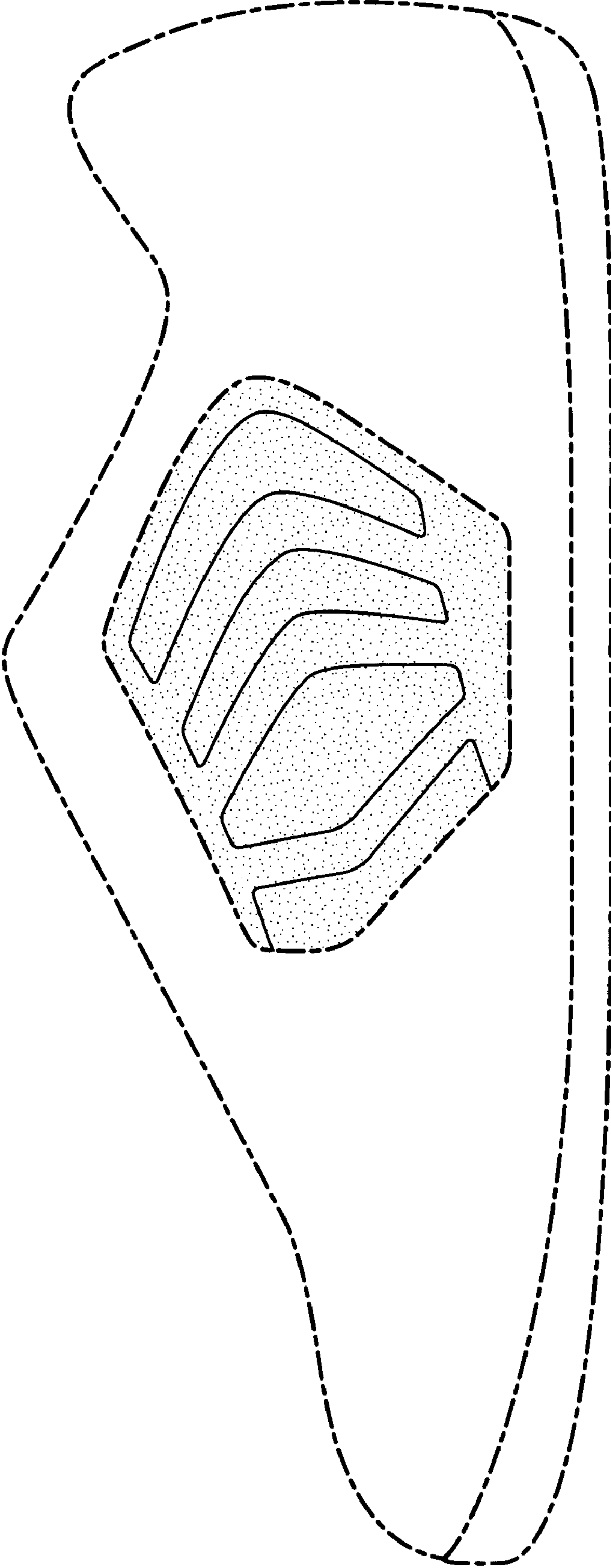


FIG. 2

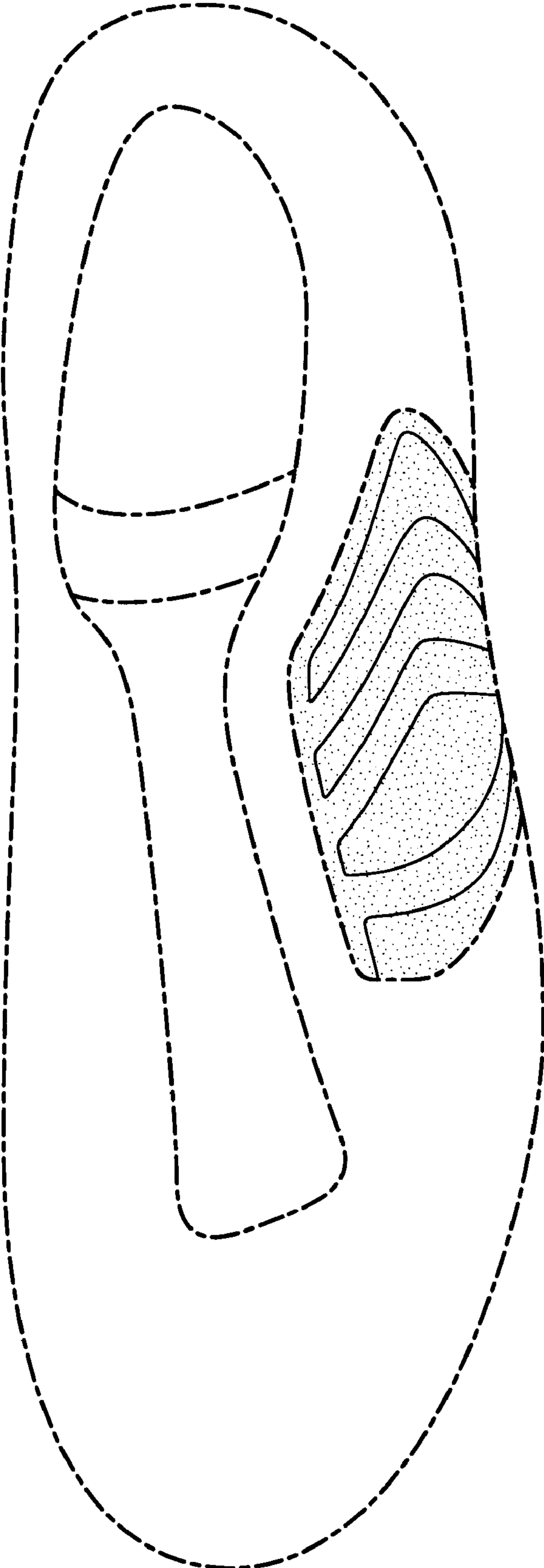


FIG. 3

UNITED STATES PATENT AND TRADEMARK OFFICE
CERTIFICATE OF CORRECTION

PATENT NO. : Des. 513,856 S
APPLICATION NO. : 29/221994
DATED : January 31, 2006
INVENTOR(S) : Jean-François Fullum

Page 1 of 1

It is certified that error appears in the above-identified patent and that said Letters Patent is hereby corrected as shown below:

On the Title page, in the section entitled "Inventor,"

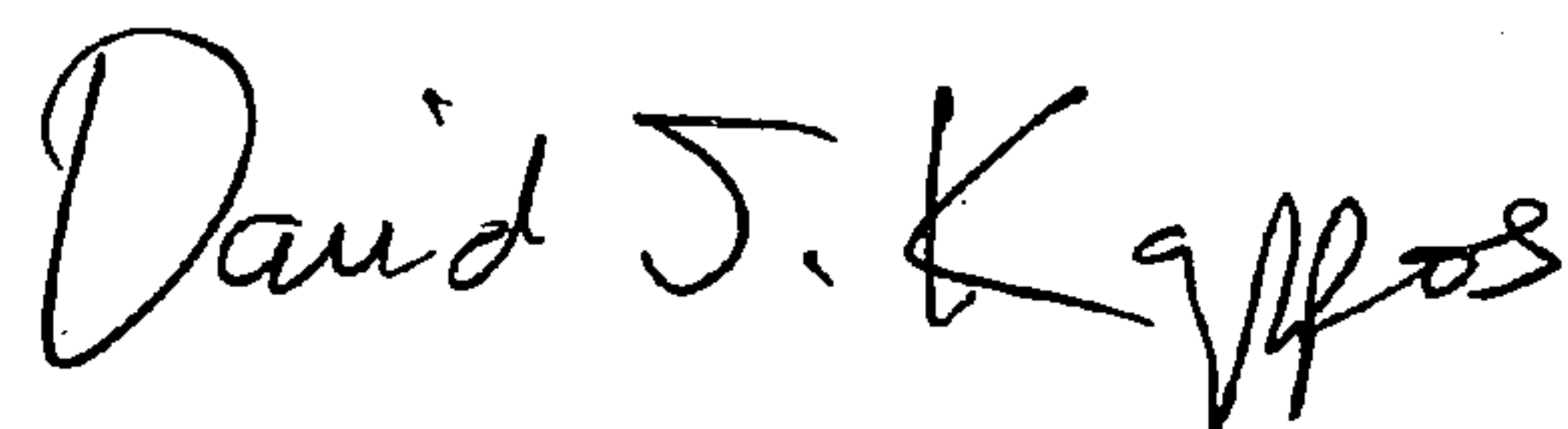
"Jean-François Fullum"

has been replaced with

-- Jean-François Fullum --

Signed and Sealed this

Twenty-first Day of September, 2010

A handwritten signature in black ink that reads "David J. Kappos". The signature is written in a cursive, slightly slanted style.

David J. Kappos
Director of the United States Patent and Trademark Office