



US00D513824S

(12) **United States Design Patent**
Ribbens

(10) **Patent No.:** **US D513,824 S**
(45) **Date of Patent:** **** Jan. 31, 2006**

(54) **ANIMAL FOODSTUFF**

D210,388 S * 3/1968 Gillbrand D21/598
D489,863 S * 5/2004 Zalyasko D1/110

(75) Inventor: **Machiel Ribbens**, Stadskanaal (NL)

* cited by examiner

(73) Assignee: **Paragon Products B.V.**, Veendam (NL)

Primary Examiner—Pamela Burgess

(**) Term: **14 Years**

(74) *Attorney, Agent, or Firm*—DLA Piper Rudnick Gray Cary US LLP

(21) Appl. No.: **29/220,735**

(57) **CLAIM**

(22) Filed: **Jan. 3, 2005**

The ornamental design for an animal foodstuff, as shown and described.

(30) **Foreign Application Priority Data**

DESCRIPTION

Jul. 1, 2004 (EP) 196167-01-04

(51) **LOC (8) Cl.** **01-01**

FIG. 1 is a right side perspective view of an animal foodstuff showing my new design;

(52) **U.S. Cl.** **D1/111; D1/110**

FIG. 2 is a front elevational view thereof;

(58) **Field of Classification Search** D1/111,

FIG. 3 is a left side perspective view thereof;

D1/110, 106–107; 426/104; D11/50, 82,

FIG. 4 is a front perspective view thereof;

D11/100; D21/411, 598

FIG. 5 is a top plan view thereof;

See application file for complete search history.

FIG. 6 is a right side elevational view thereof, the undisclosed left side being a mirror image; and,

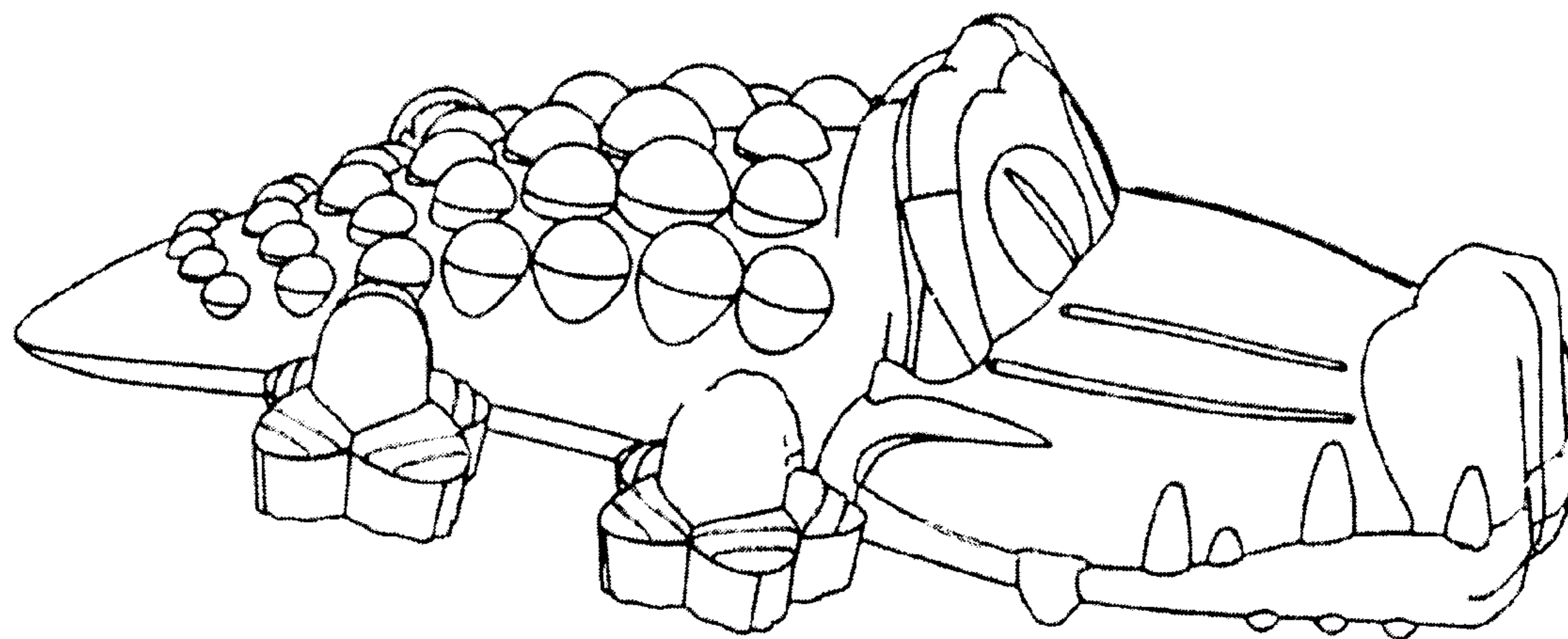
FIG. 7 is a bottom plan view thereof.

(56) **References Cited**

U.S. PATENT DOCUMENTS

1 Claim, 4 Drawing Sheets

D153,343 S * 4/1949 Frazeur D21/411



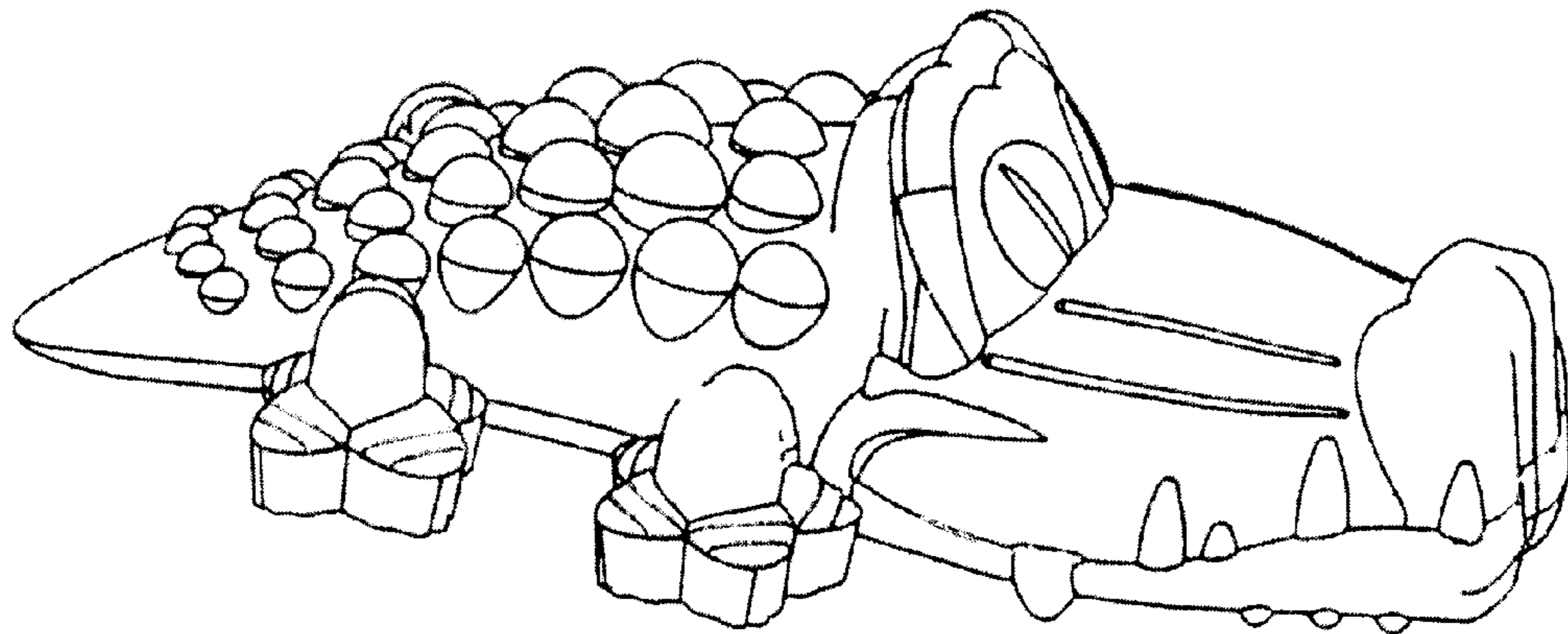


FIG. 1

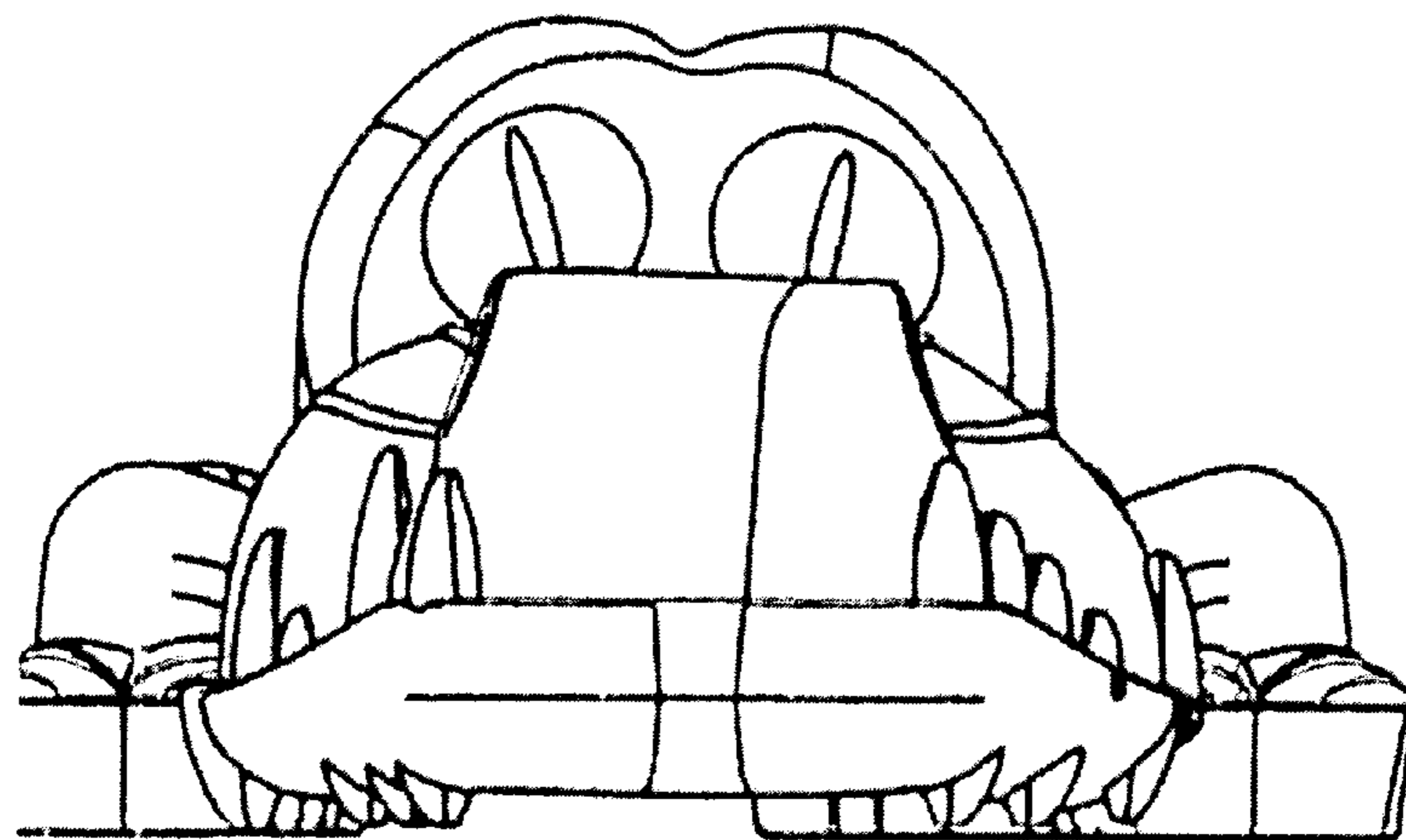


FIG. 2

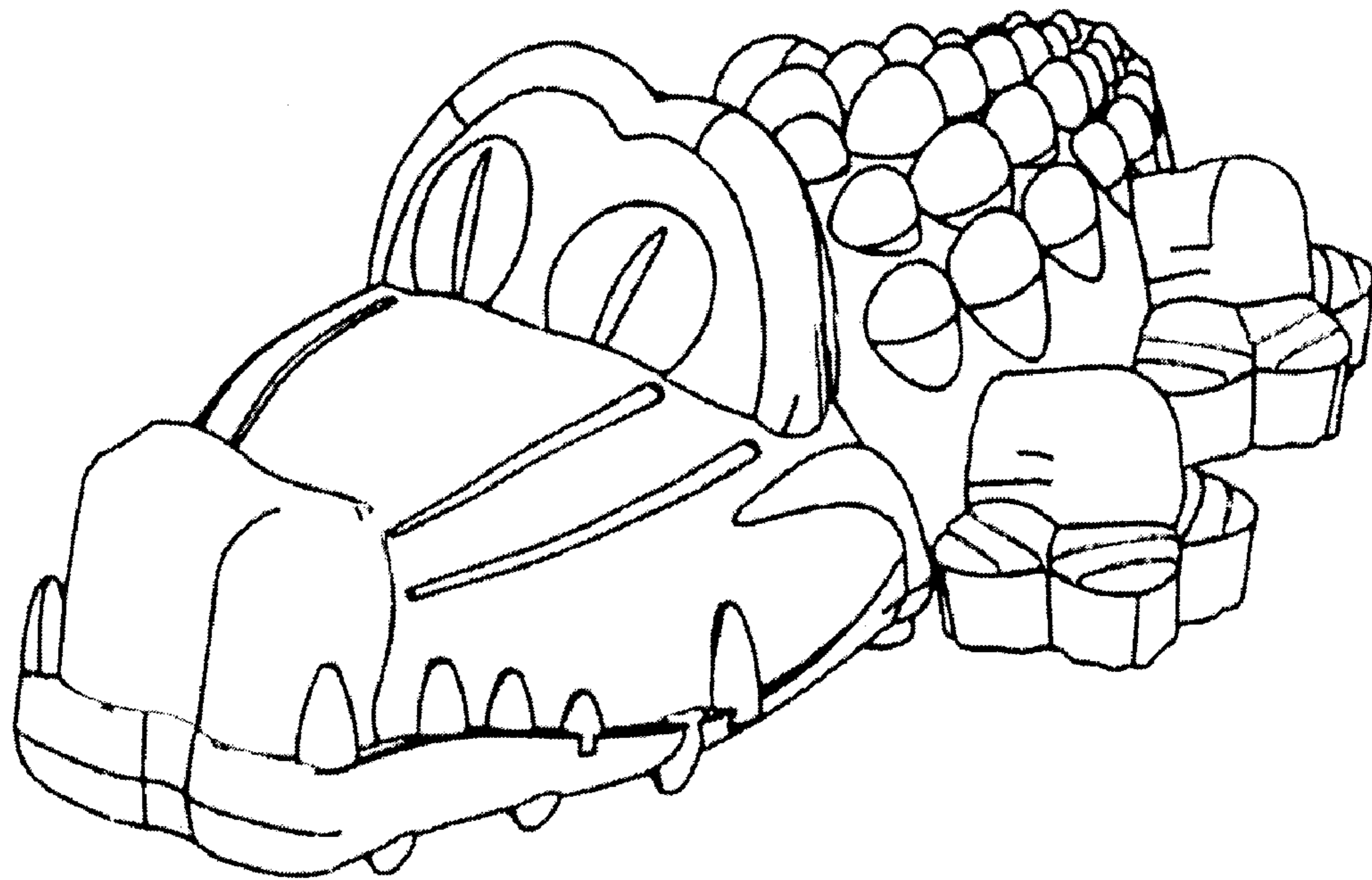


FIG. 3

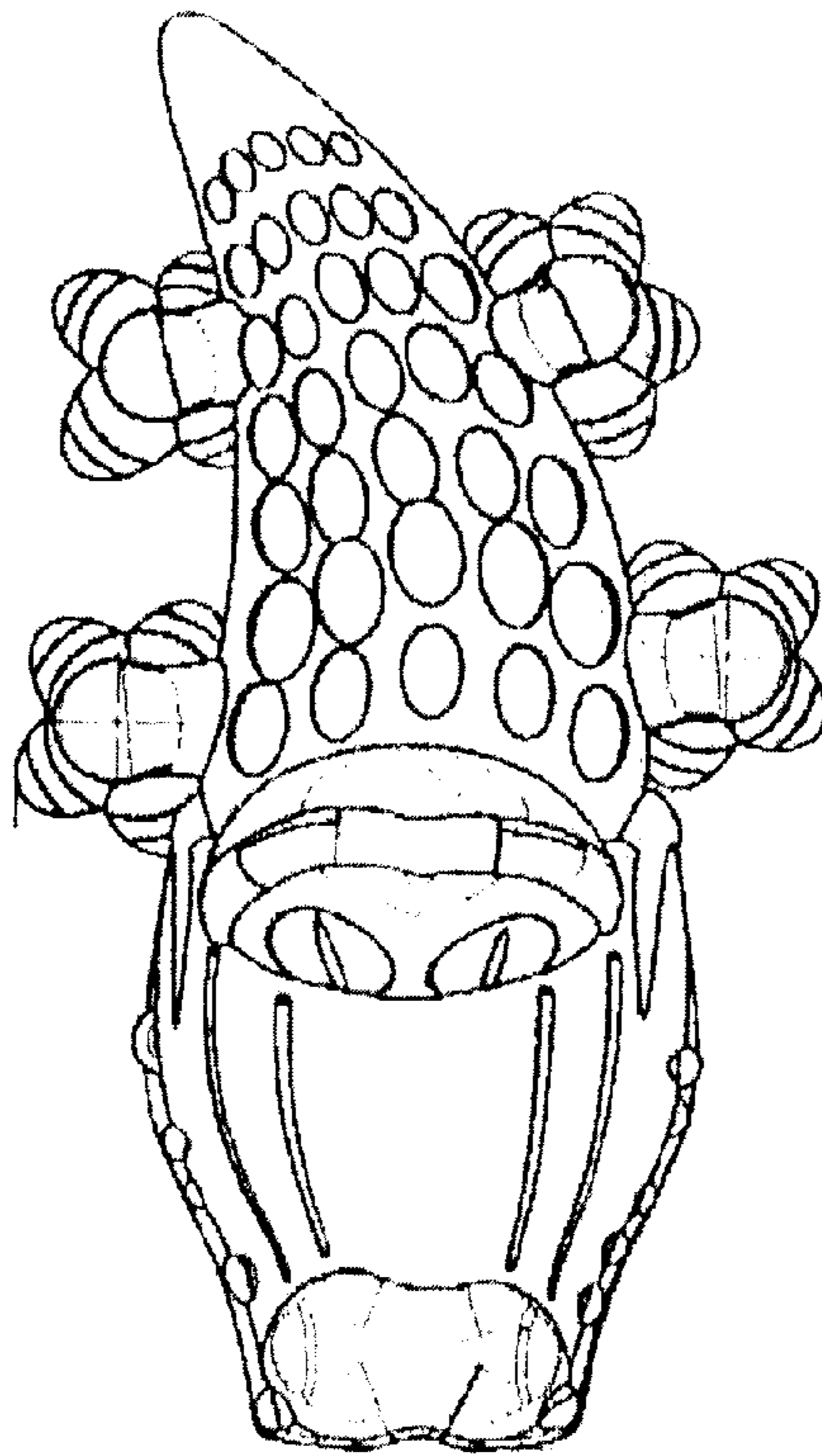


FIG. 4

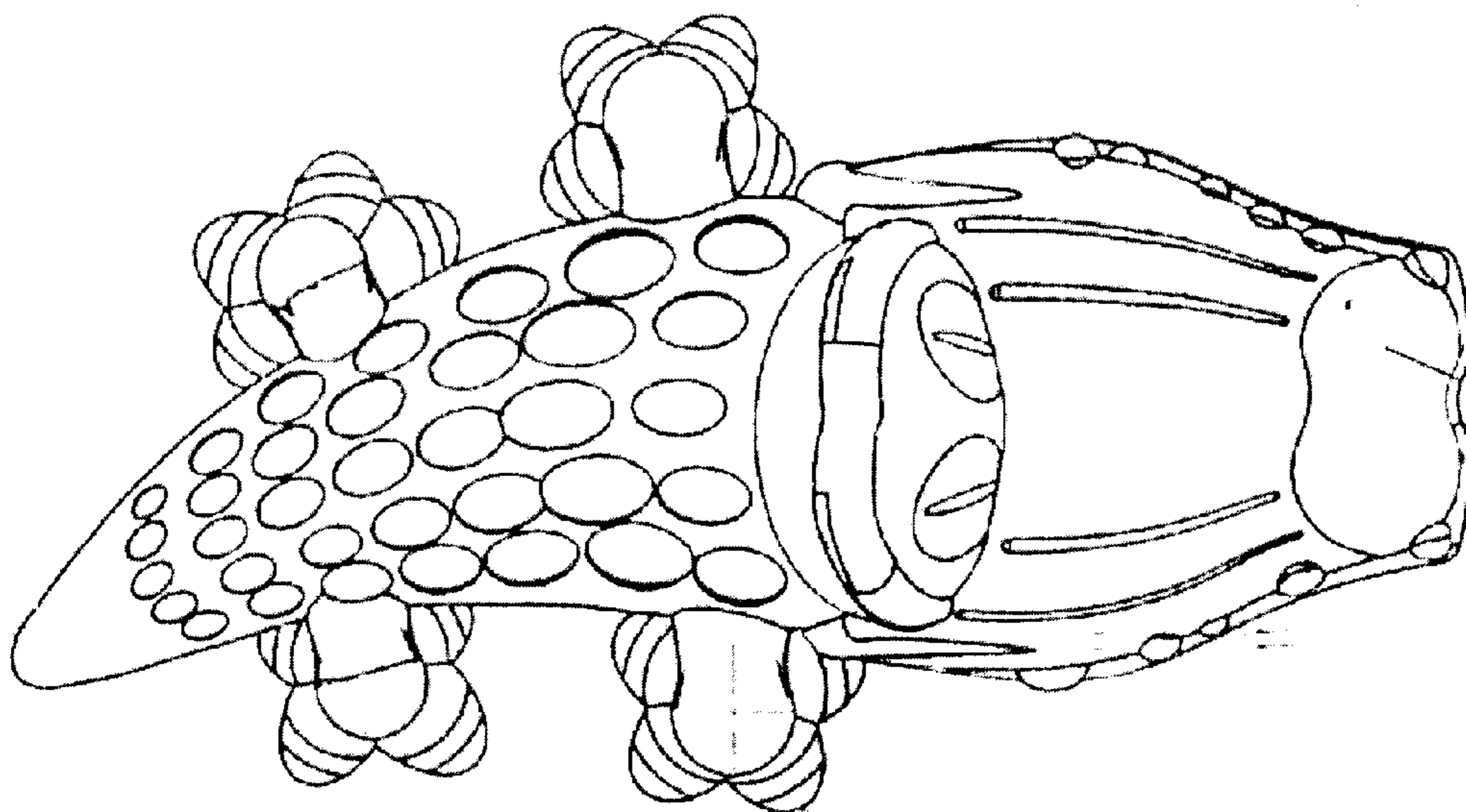


FIG. 5

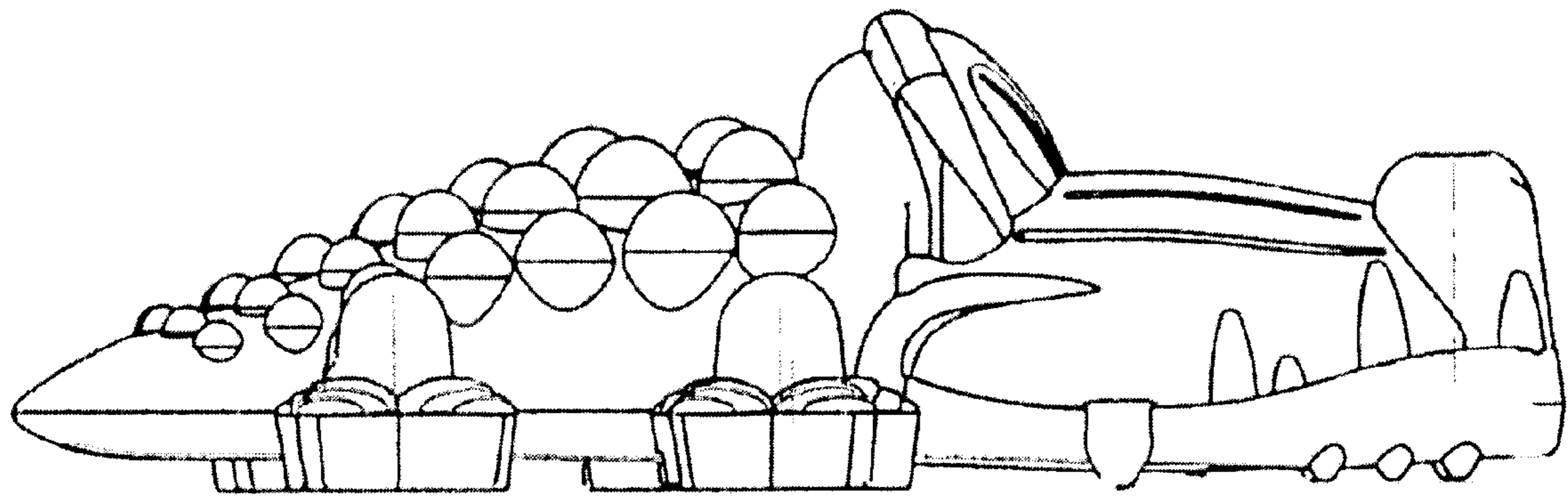


FIG. 6

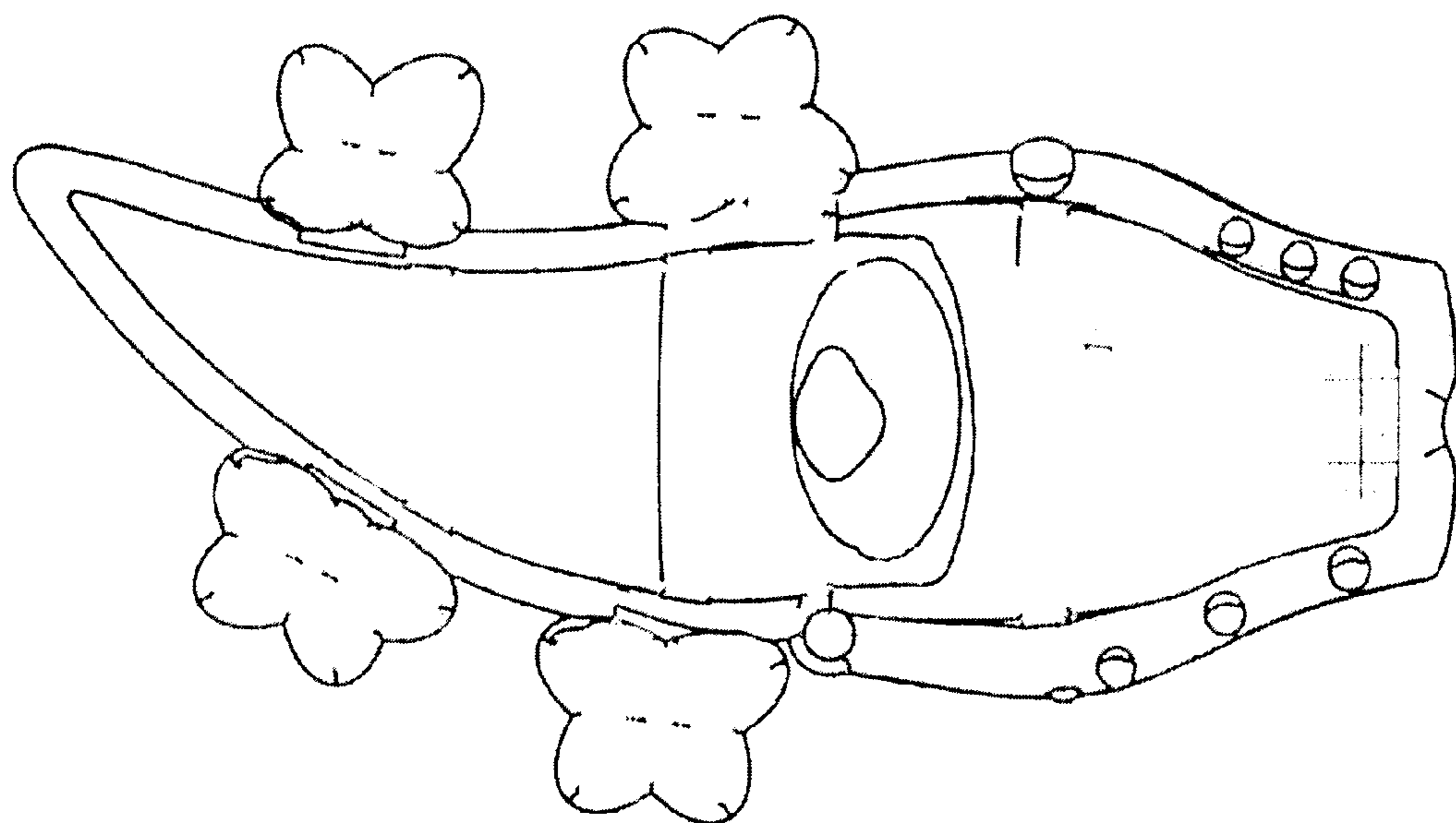


FIG. 7