



US00D513820S

(12) **United States Design Patent**
O'Dell et al.

(10) **Patent No.:** **US D513,820 S**
(45) **Date of Patent:** **** Jan. 24, 2006**

(54) **STABILIZER BASE**
(76) Inventors: **Graham O'Dell**, 18 Woodhouse Rd.,
East Fremantle, Perth (AU), 6158;
Marisa Kristine O'Dell, 18 Woodhouse
Rd., East Fremantle, Perth (AU), 6158

4,930,632 A * 6/1990 Eckert et al. 206/386
6,199,487 B1 * 3/2001 Coddington 108/56.1
D460,691 S * 7/2002 Morris et al. D9/456
D466,725 S * 12/2002 Masciale D6/449

* cited by examiner

(**) Term: **14 Years**

Primary Examiner—Cynthia E. Ramirez

(21) Appl. No.: **29/192,328**

(57) **CLAIM**

(22) Filed: **Oct. 23, 2003**

The ornamental design for a stabilizer base, as shown and described.

(51) **LOC (8) Cl.** **09-08**
(52) **U.S. Cl.** **D34/38**
(58) **Field of Classification Search** D34/38;
D9/456; 248/346.02; 108/51.11, 51.3, 52.1,
108/53.1, 53.3, 53.5, 55.1, 56.1, 57.3
See application file for complete search history.

DESCRIPTION

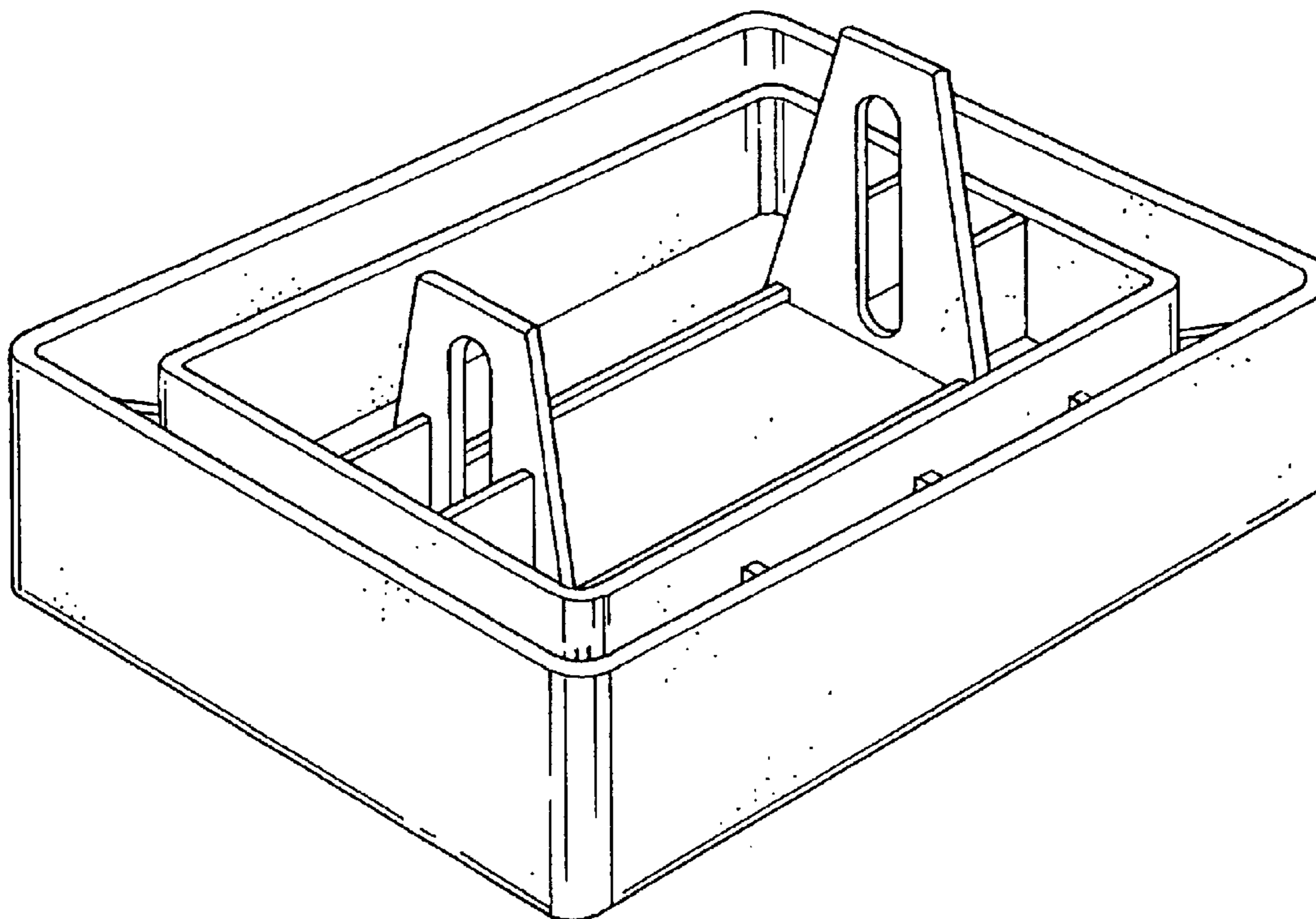
FIG. 1 is an upper perspective view;
FIG. 2 is a lower perspective view;
FIG. 3 is a top plan view;
FIG. 4 is a bottom plan view;
FIG. 5 is an end view; and,
FIG. 6 is a side view.

(56) **References Cited**

U.S. PATENT DOCUMENTS

D289,864 S * 5/1987 Pecoff D11/164

1 Claim, 5 Drawing Sheets



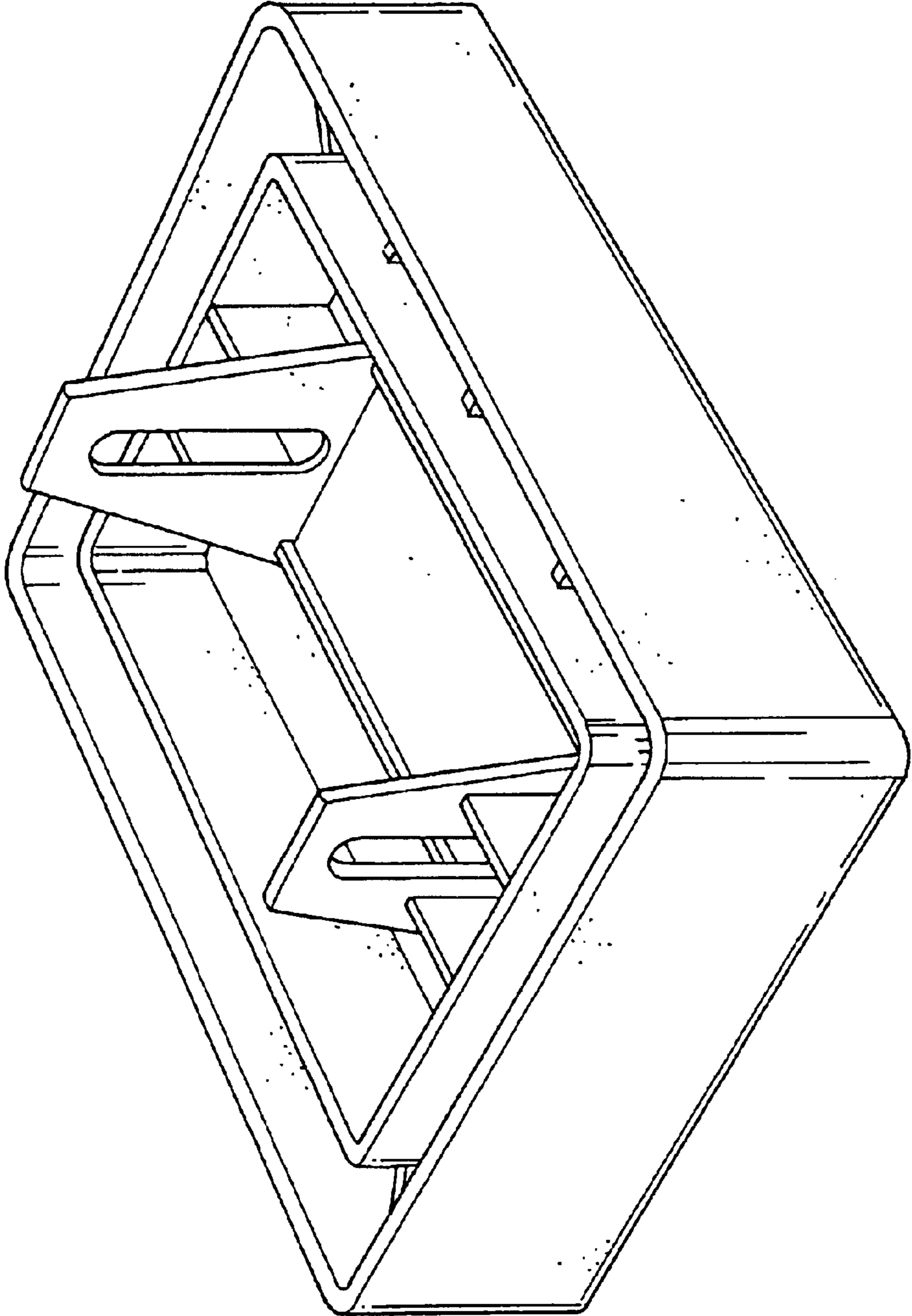


Fig. 1

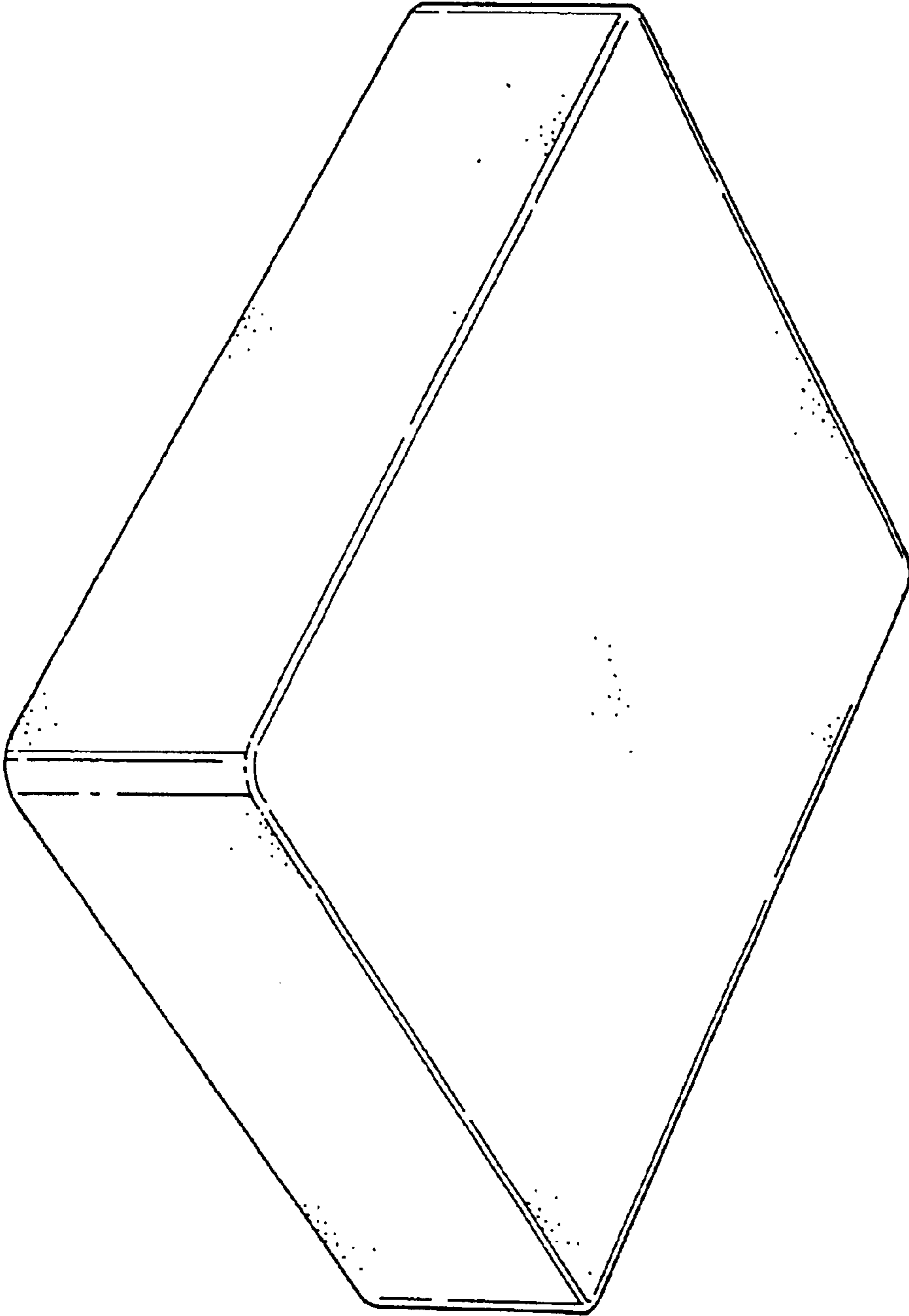


Fig. 2

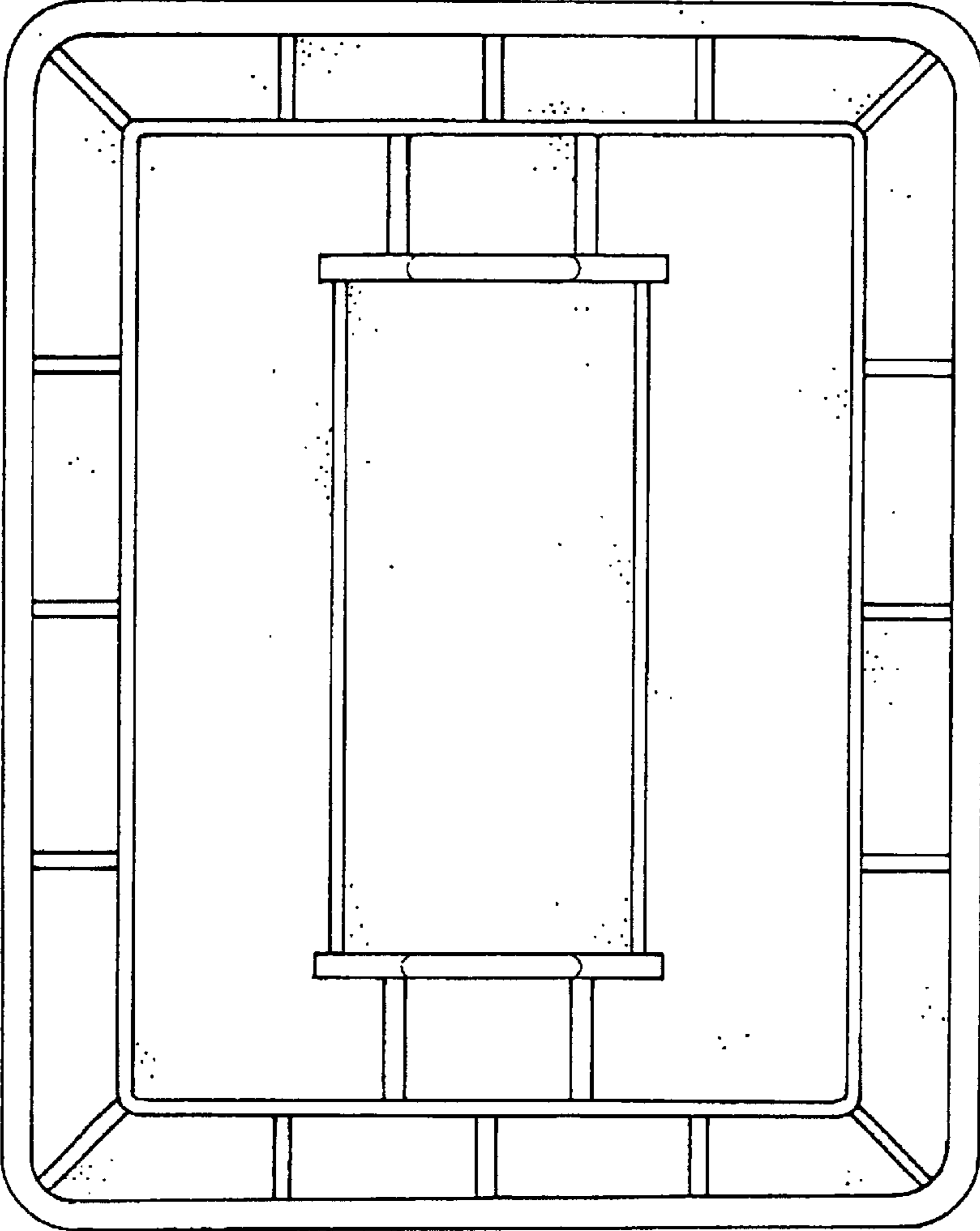


Fig. 3

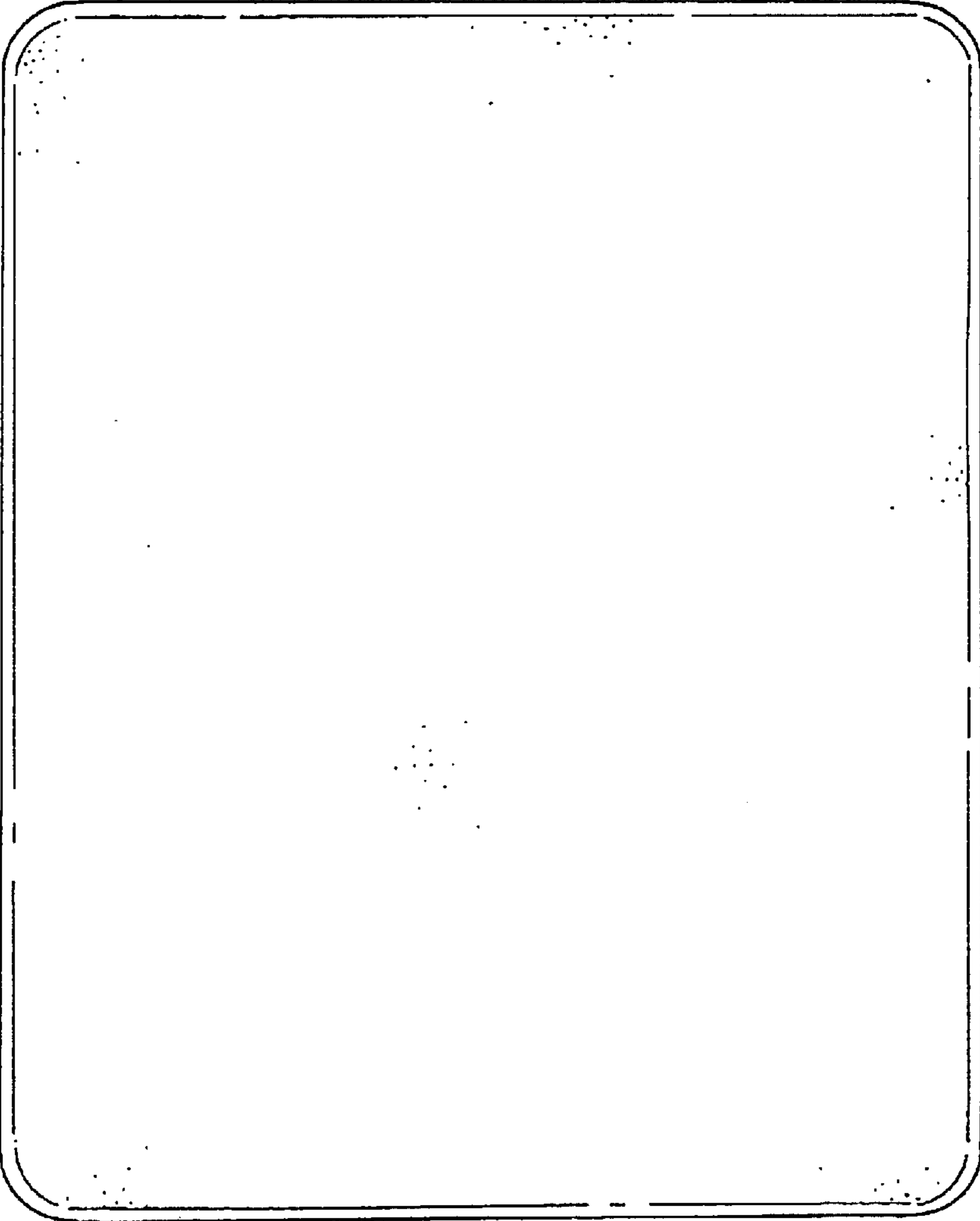


Fig. 4

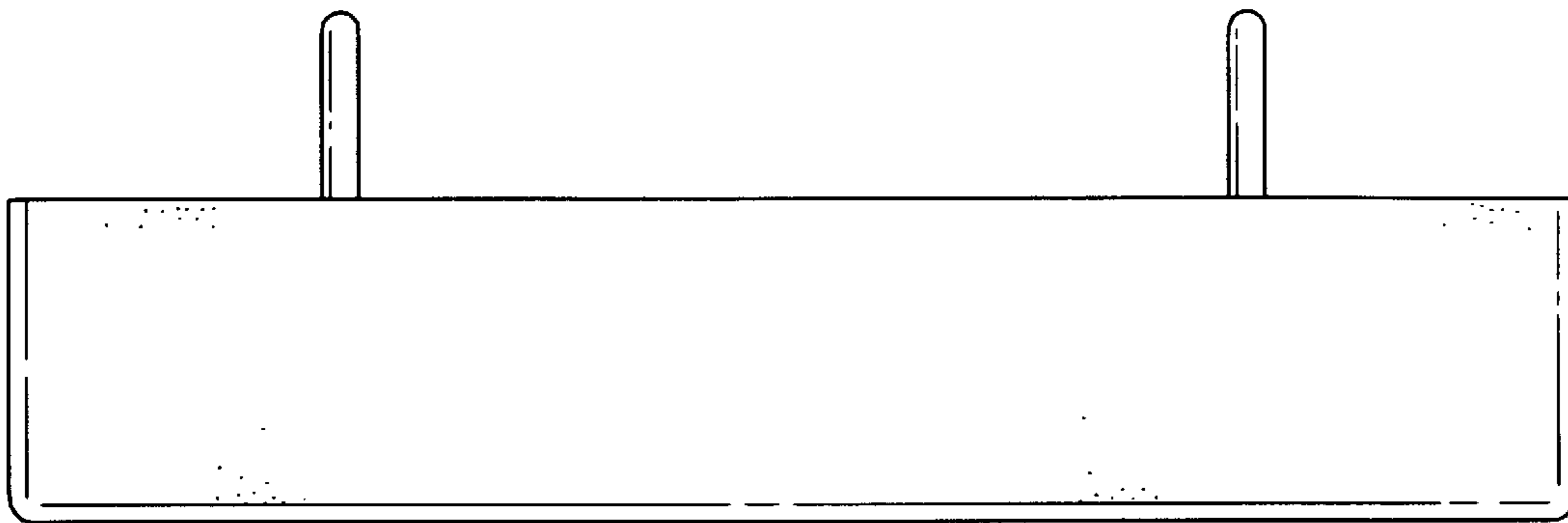


Fig. 5

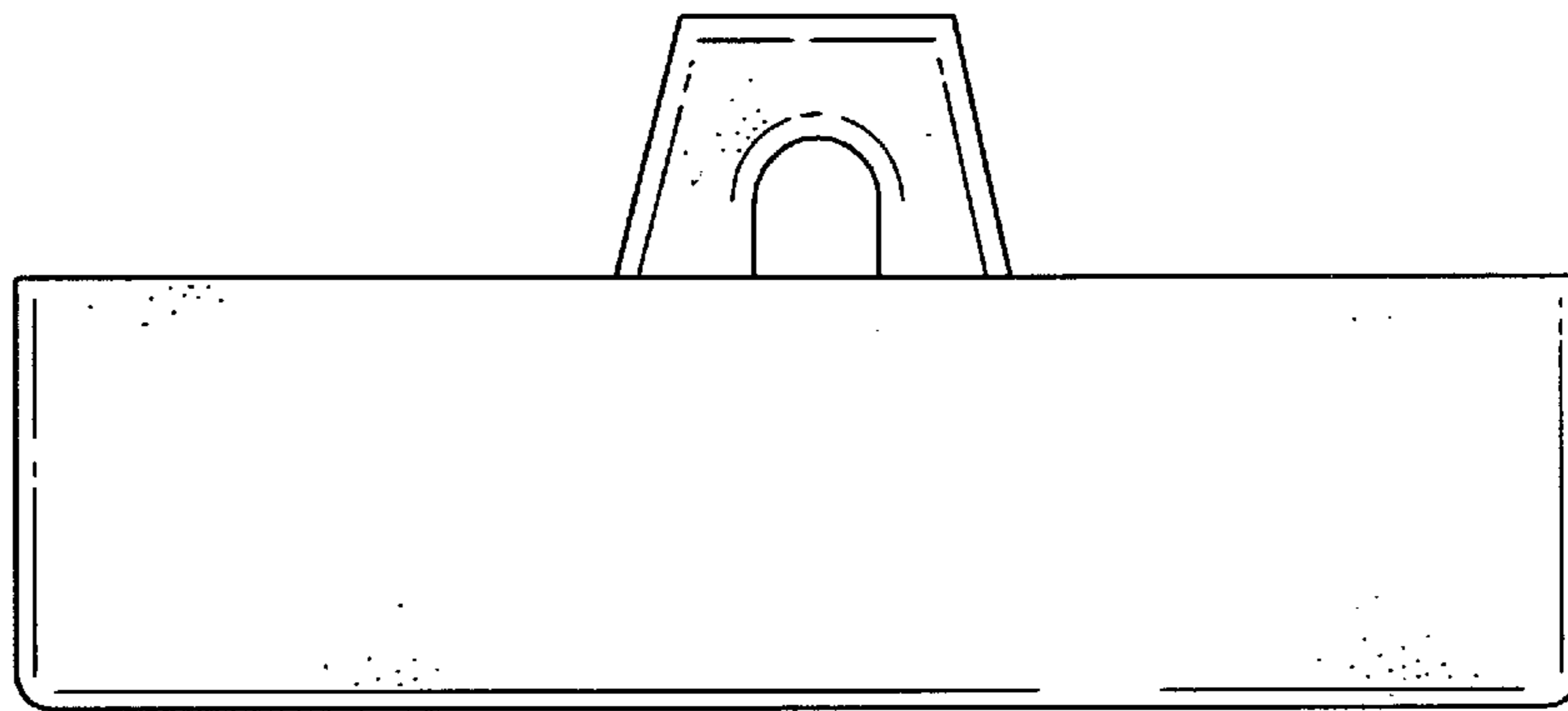


Fig. 6