



US00D513811S

(12) **United States Design Patent** (10) **Patent No.:** **US D513,811 S**  
**Lai** (45) **Date of Patent:** **\*\* Jan. 24, 2006**

(54) **FLASHLIGHT**

D500,875 S \* 1/2005 Parker et al. .... D26/42

(75) Inventor: **Larry Lai, Tai Bao (TW)**

\* cited by examiner

(73) Assignee: **Plum Industrial Co., Ltd. (TW)**

*Primary Examiner*—Marcus A. Jackson

(\*\*) Term: **14 Years**

(74) *Attorney, Agent, or Firm*—Stites & Harbison PLLC;  
Marvin Petry

(21) Appl. No.: **29/212,722**

(57) **CLAIM**

(22) Filed: **Sep. 8, 2004**

The ornamental design for a flashlight, as shown.

(51) **LOC (8) Cl.** ..... **26-02**

(52) **U.S. Cl.** ..... **D26/42**

(58) **Field of Classification Search** ..... D26/37-50;  
362/157, 158, 171-174, 183-208

See application file for complete search history.

**DESCRIPTION**

FIG. 1 is a perspective view of the flashlight showing my new design;

FIG. 2 is a right side elevational view thereof;

FIG. 3 is a top plan view thereof;

FIG. 4 is a front elevational view thereof;

FIG. 5 is a bottom plan view thereof;

FIG. 6 is a left side elevational view thereof; and,

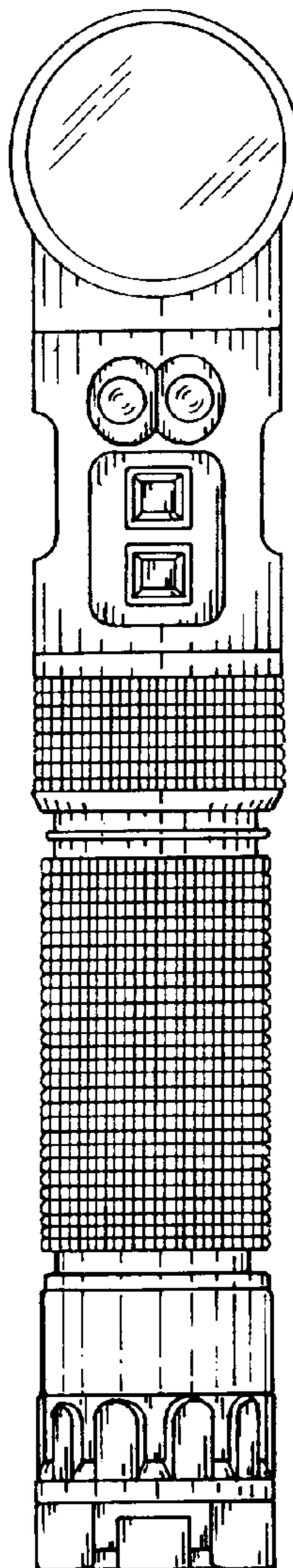
FIG. 7 is a rear elevational view thereof.

(56) **References Cited**

**U.S. PATENT DOCUMENTS**

D330,942 S \* 11/1992 Leung ..... D26/37

**1 Claim, 4 Drawing Sheets**



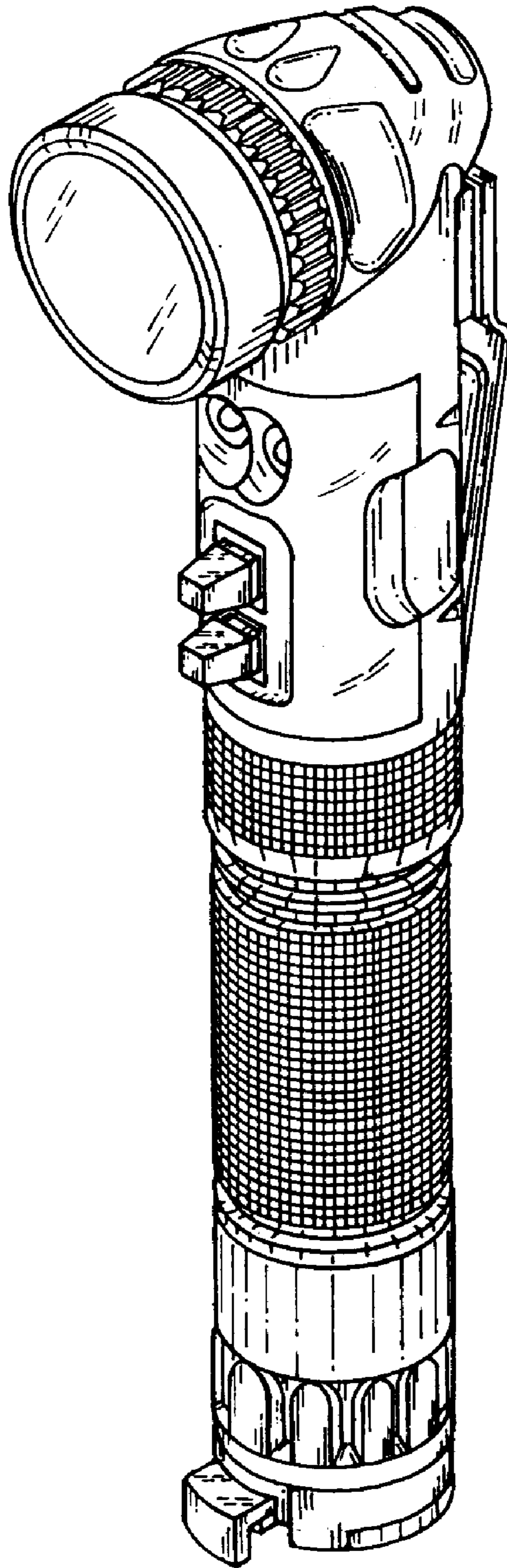


FIG. 1

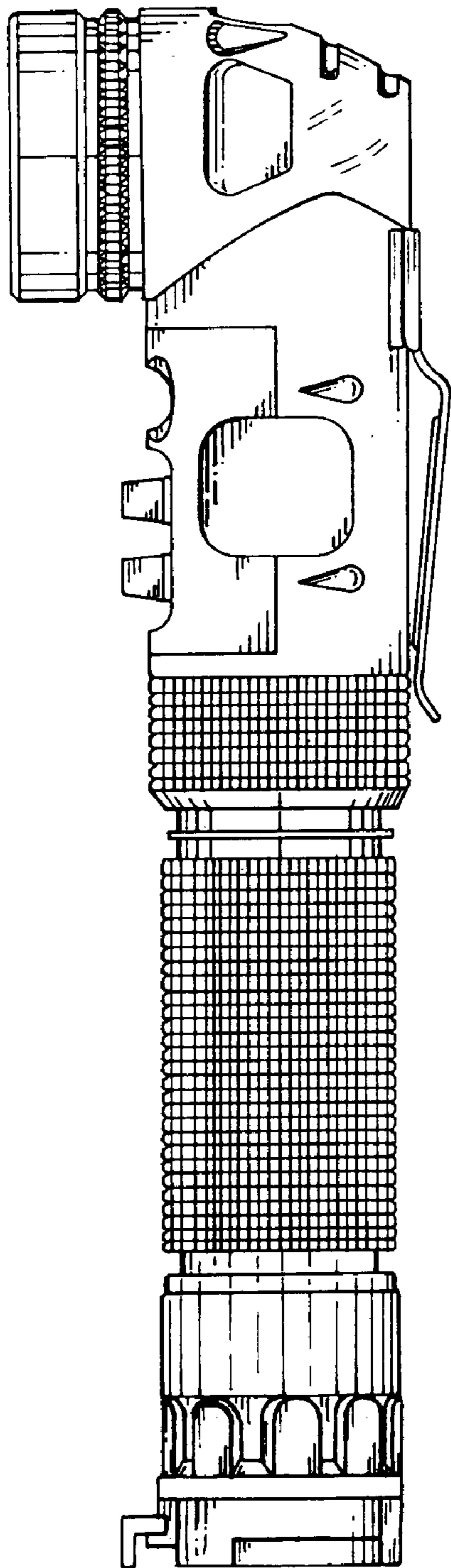


FIG. 2

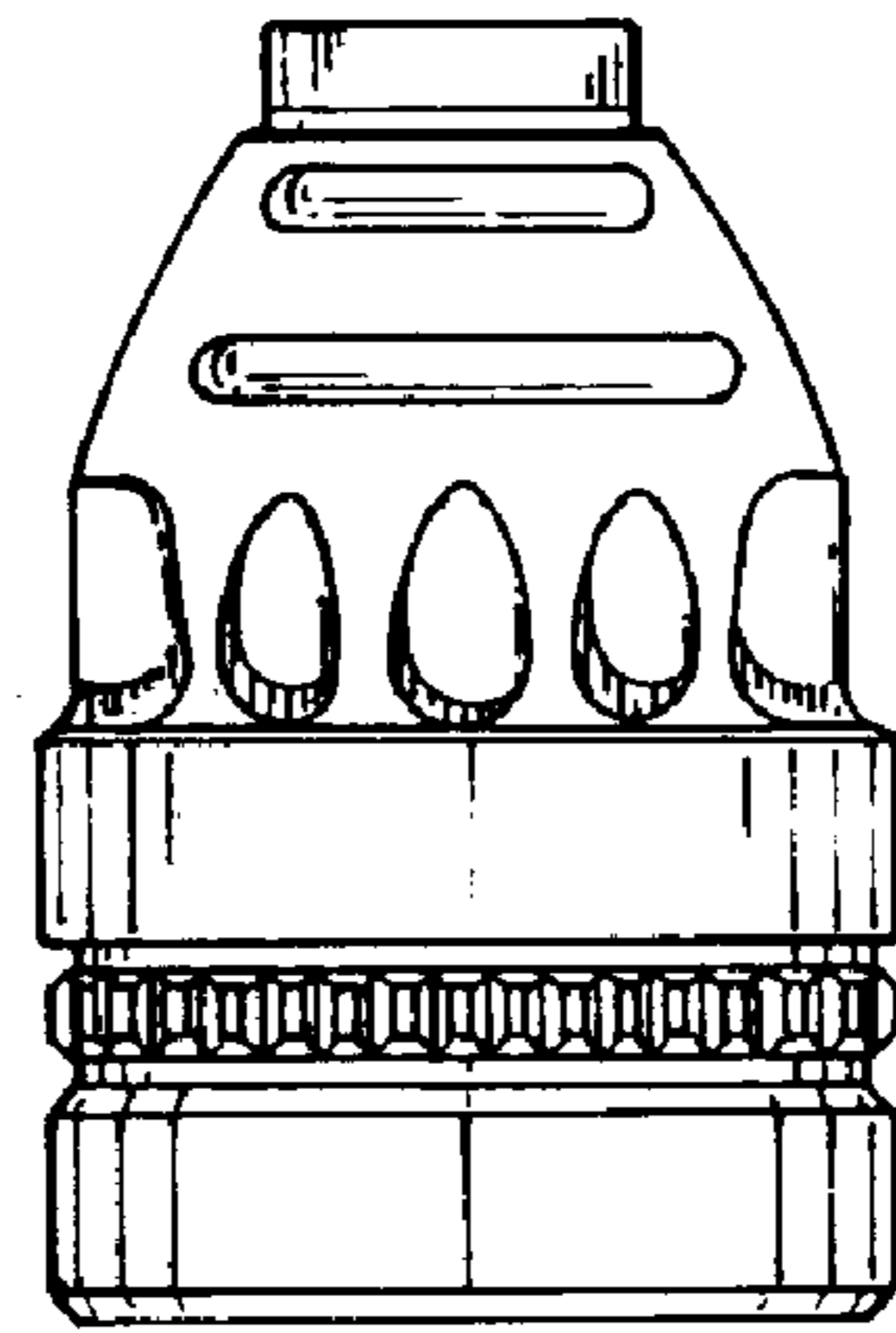


FIG. 3

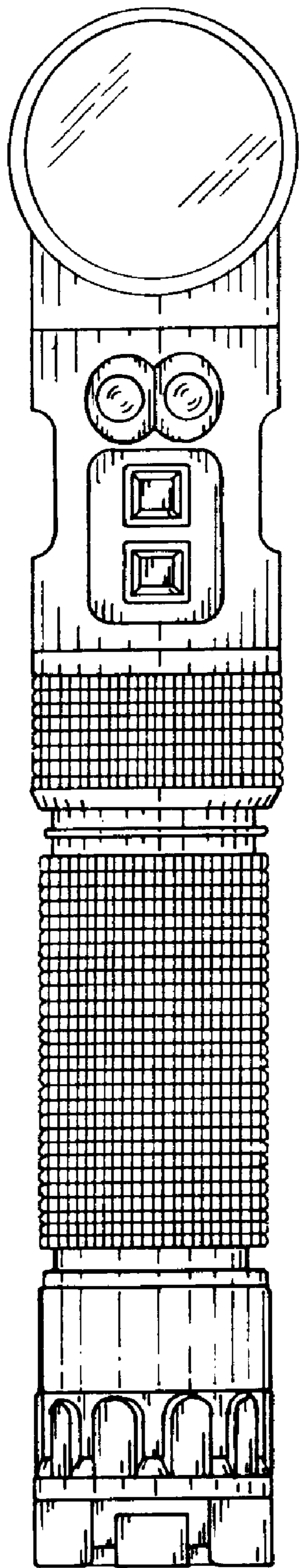


FIG. 4

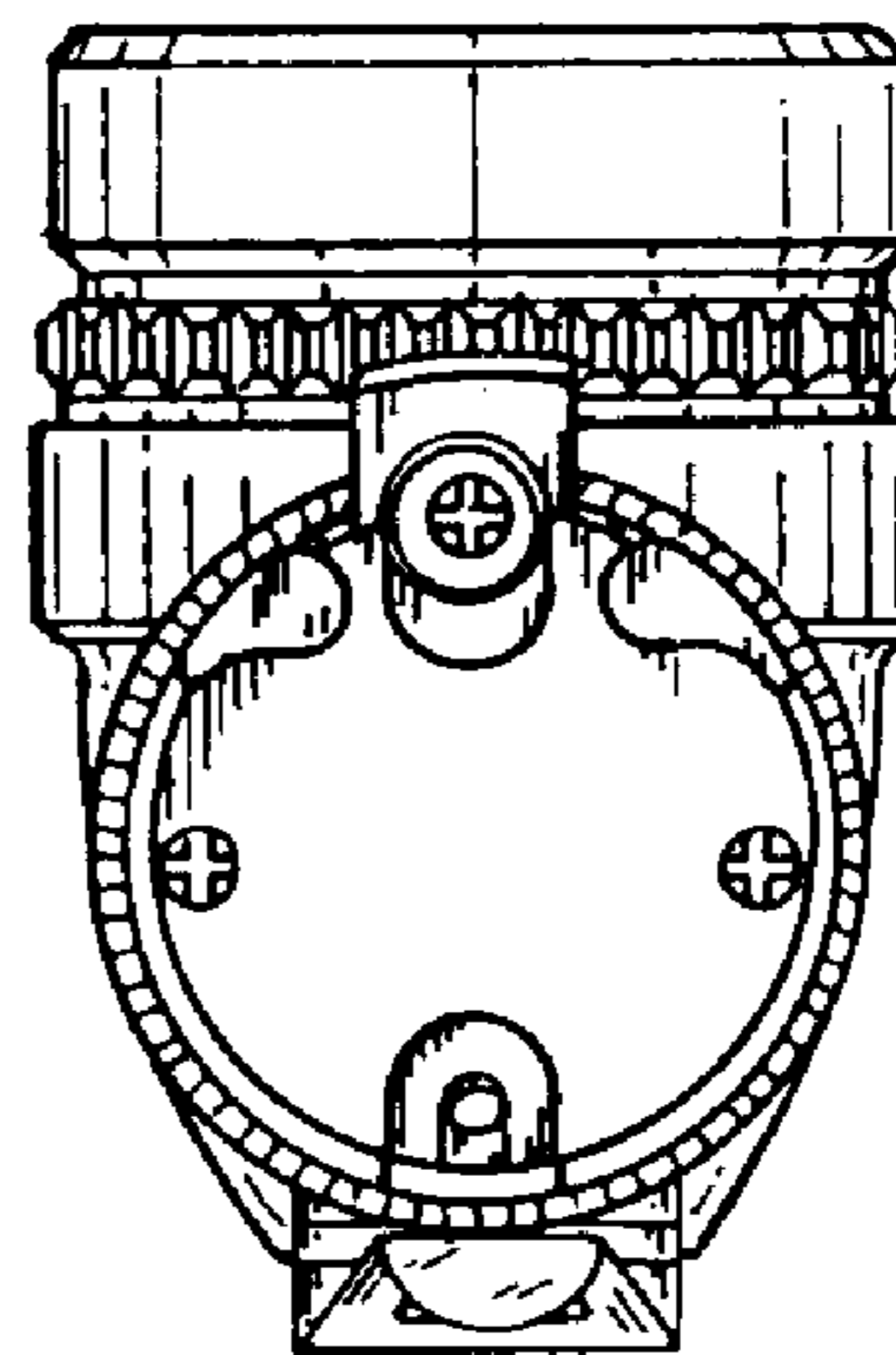


FIG. 5

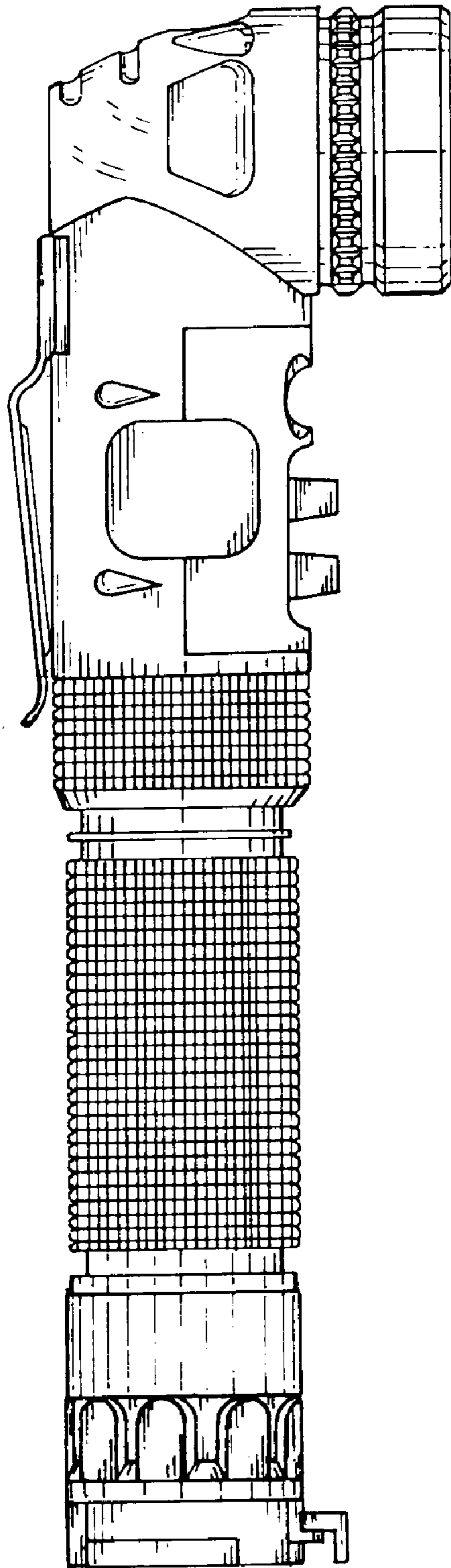


FIG. 6

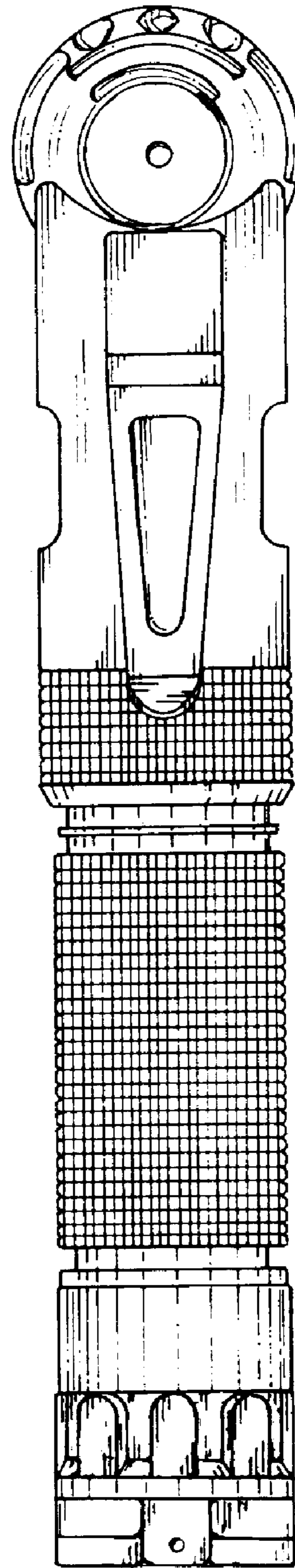


FIG. 7