



US00D513807S

(12) **United States Design Patent**
Saldarelli et al.

(10) **Patent No.:** **US D513,807 S**
(45) **Date of Patent:** **** Jan. 24, 2006**

(54) **ANCHOR FOR A DIVE PLATFORM**

* cited by examiner

(75) Inventors: **Thomas A. Saldarelli**, Yorktown Heights, NY (US); **Jerry R. Amato**, Yorktown Heights, NY (US)

Primary Examiner—Doris Clark
(74) *Attorney, Agent, or Firm*—Pearne & Gordon LLP

(73) Assignee: **Paragon Aquatics, a division of Pentair Pool Products, Inc.**, LaGrangeville, NY (US)

(57) **CLAIM**

The ornamental design for an anchor for a dive platform, as shown and described.

(**) Term: **14 Years**

DESCRIPTION

(21) Appl. No.: **29/189,047**

FIG. 1 is a top of an anchor for a dive platform, according to the present invention;

(22) Filed: **Aug. 28, 2003**

FIG. 2 is a front elevational view of the anchor for a dive platform of FIG. 1;

(51) **LOC (8) Cl.** **25-01**

(52) **U.S. Cl.** **D25/133; D25/2; D21/802**

(58) **Field of Classification Search** **D25/133, D25/2; 4/503, 496; 472/128; D21/802**

FIG. 3 is a bottom view of the anchor for a dive platform of FIG. 1;

FIG. 4 is a left side elevational view of the anchor for a dive platform of FIG. 1;

See application file for complete search history.

FIG. 5 is a right side elevational view of the anchor for a dive platform of FIG. 1; and,

FIG. 6 is a perspective view of the anchor for a dive platform of FIG. 1.

(56) **References Cited**

U.S. PATENT DOCUMENTS

D217,139 S	*	4/1970	Meyer	D21/802
D436,674 S	*	1/2001	Lancelot et al.	D25/133
6,523,188 B1	*	2/2003	Kiefer et al.	4/496
D486,591 S	*	2/2004	Prokop	D25/133

The broken lines in FIGS. 2–5 are merely provided to indicate the hidden aspects of the design from the particular view and form no part of the claimed design.

1 Claim, 2 Drawing Sheets

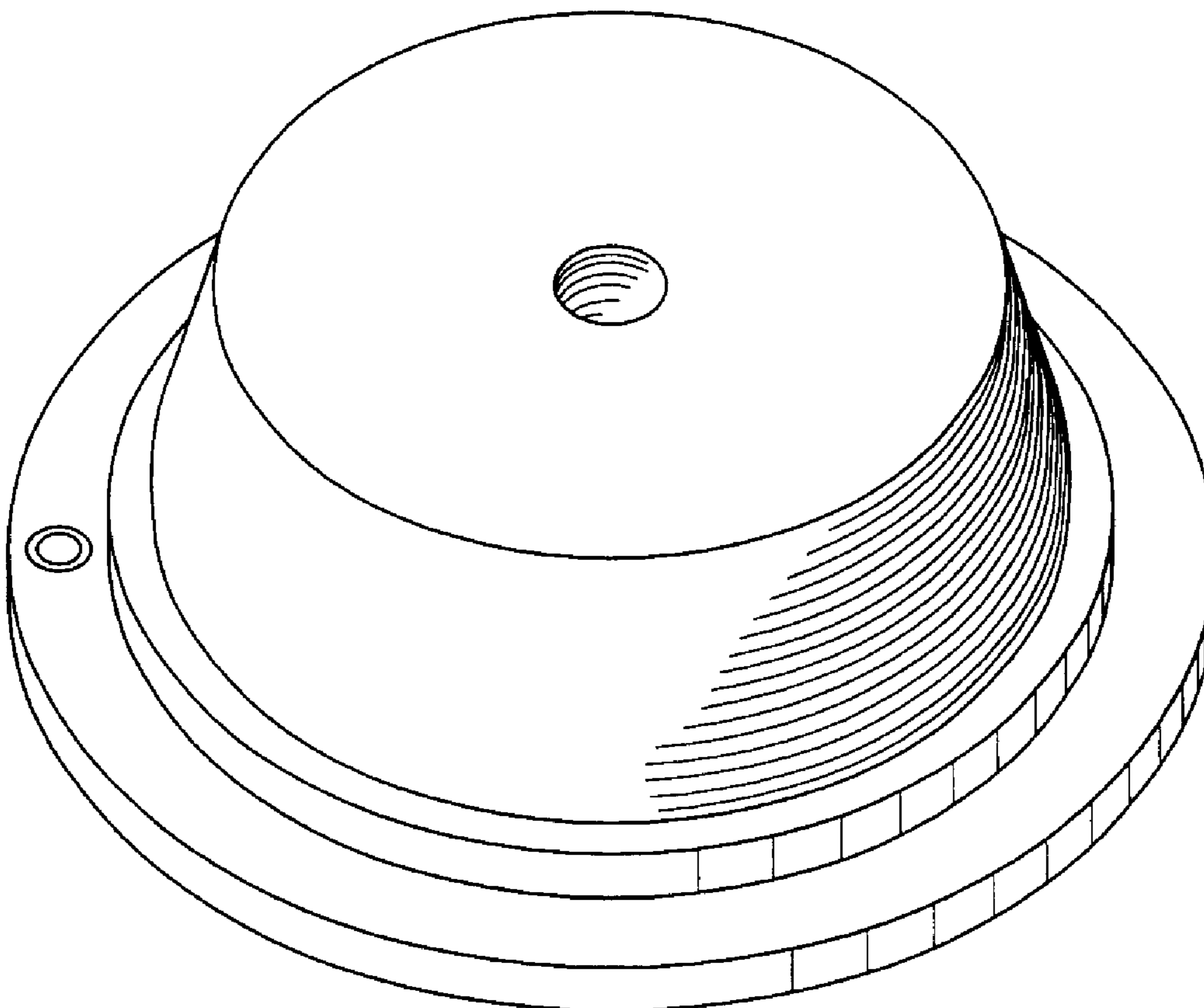


Fig.1

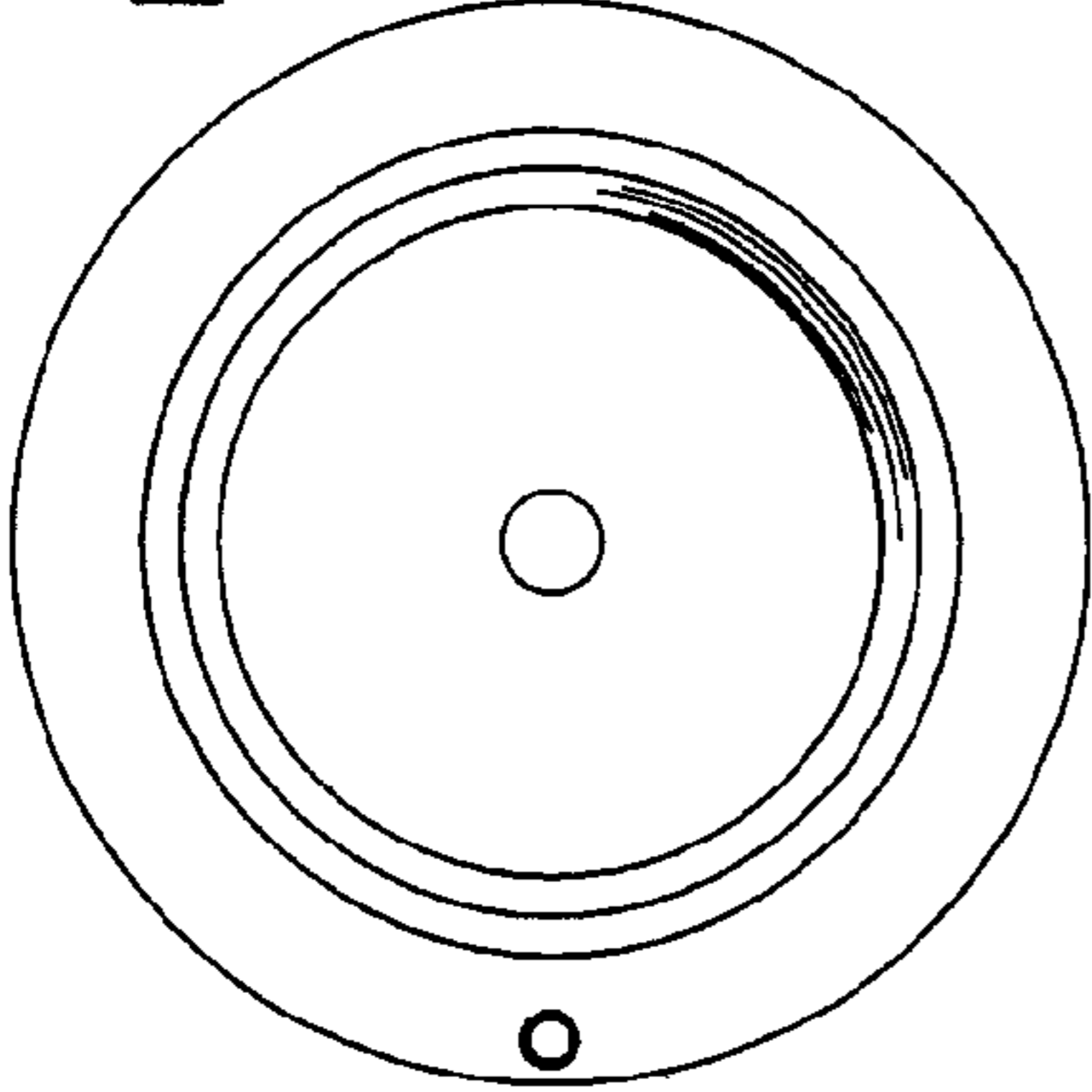


Fig.2

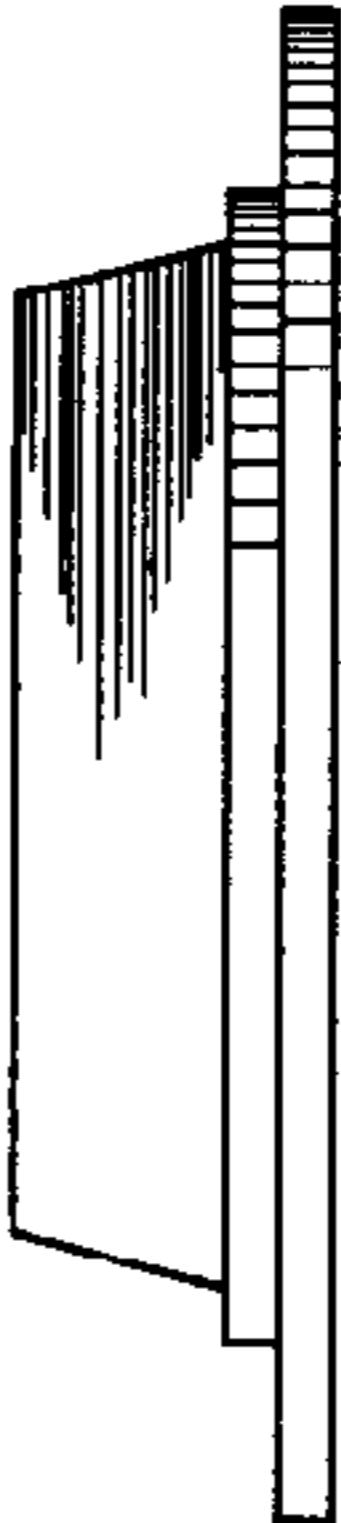


Fig.5

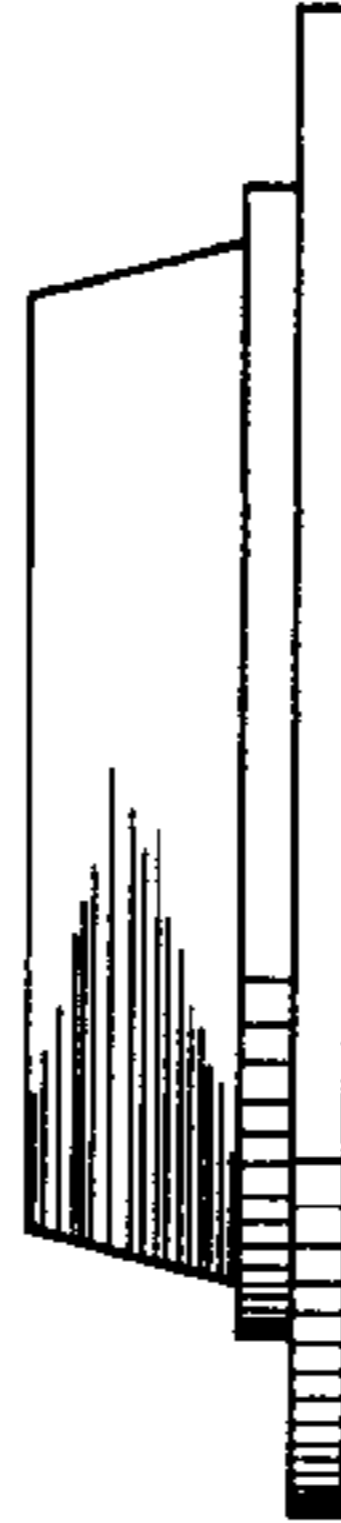


Fig.3

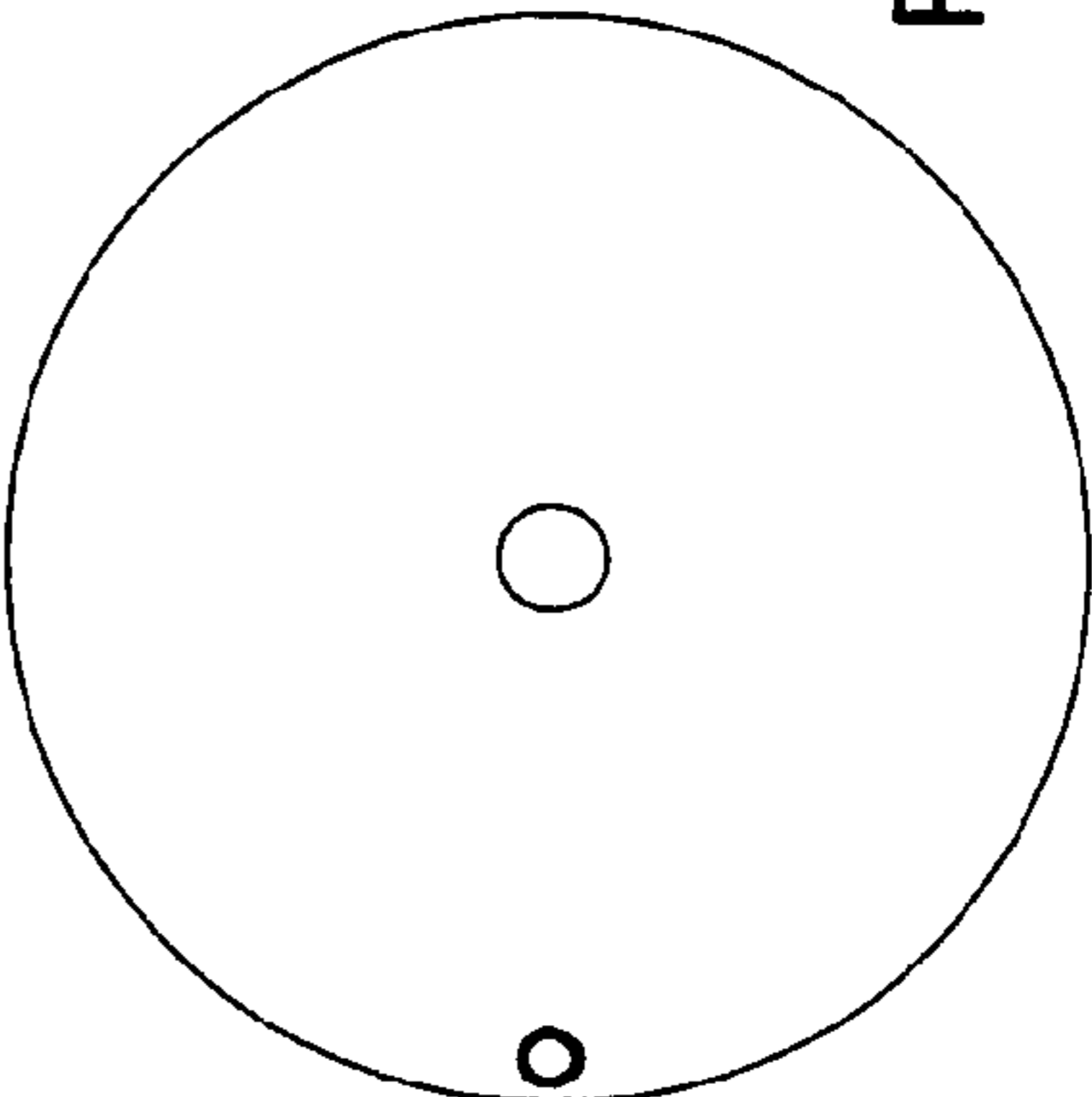


Fig.4



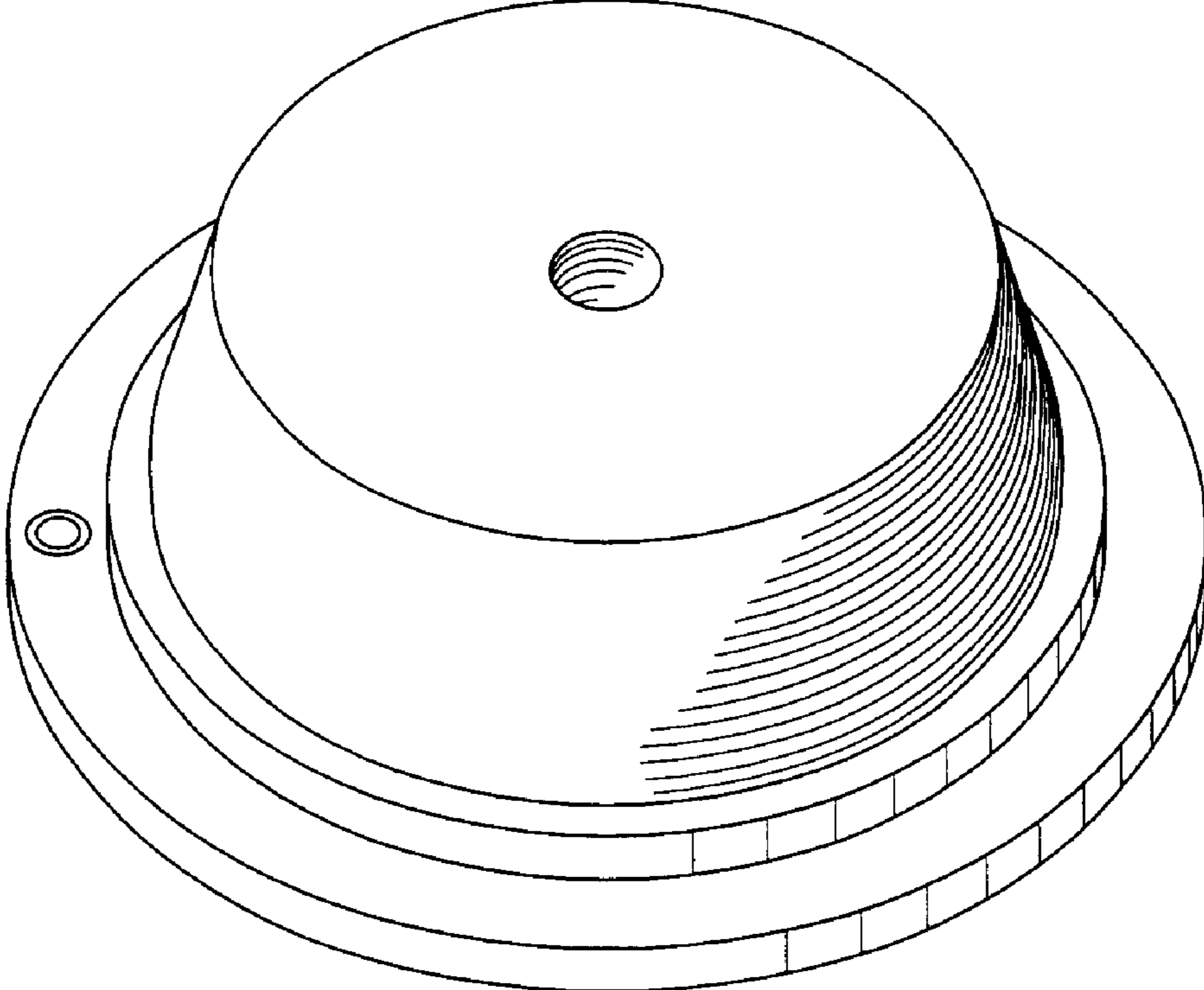


Fig.6