

US00D513804S

(12) **United States Design Patent**
Allin

(10) **Patent No.:** **US D513,804 S**
(45) **Date of Patent:** **** Jan. 24, 2006**

(54) **METAL AWNING WITH CLOTH VALANCE AND SUPPORT MEMBERS**

(75) Inventor: **John Michael Allin**, Concord Township, OH (US)

(73) Assignee: **Crest Products Inc.**, Mentor, OH (US)

(**) Term: **14 Years**

(21) Appl. No.: **29/212,261**

(22) Filed: **Aug. 30, 2004**

Related U.S. Application Data

(62) Division of application No. 29/189,453, filed on Sep. 5, 2003, now Pat. No. Des. 504,956.

(51) **LOC (8) Cl.** **25-02**

(52) **U.S. Cl.** **D25/57**

(58) **Field of Classification Search** D25/57;
D25/160/22, 19, 20, 45, 46
See application file for complete search history.

(56) **References Cited**

U.S. PATENT DOCUMENTS

2,189,567 A	2/1940	Miller	
3,100,012 A	8/1963	Dunn	
4,154,028 A	5/1979	Spaulding	
RE30,664 E	7/1981	Upton et al.	
4,411,109 A	10/1983	Struben et al.	
4,680,904 A	7/1987	Stoecker	
4,944,124 A	7/1990	Armstrong	
5,094,285 A *	3/1992	Murray	160/46
5,148,640 A	9/1992	Reilly, Sr.	

5,299,395 A	4/1994	Smith et al.
5,381,844 A	1/1995	Struben
5,535,567 A	7/1996	Cahoon
D386,264 S	11/1997	Stillwell et al.
5,794,679 A	8/1998	Williams et al.
5,904,022 A	5/1999	Zadok
5,934,349 A	8/1999	Faller
6,192,643 B1	2/2001	Zadok
6,279,641 B1	8/2001	Malott
6,494,246 B1	12/2002	Blevins

* cited by examiner

Primary Examiner—Doris Clark

(74) *Attorney, Agent, or Firm*—Fay, Sharpe, Fagan, Minnich & McKee, LLP

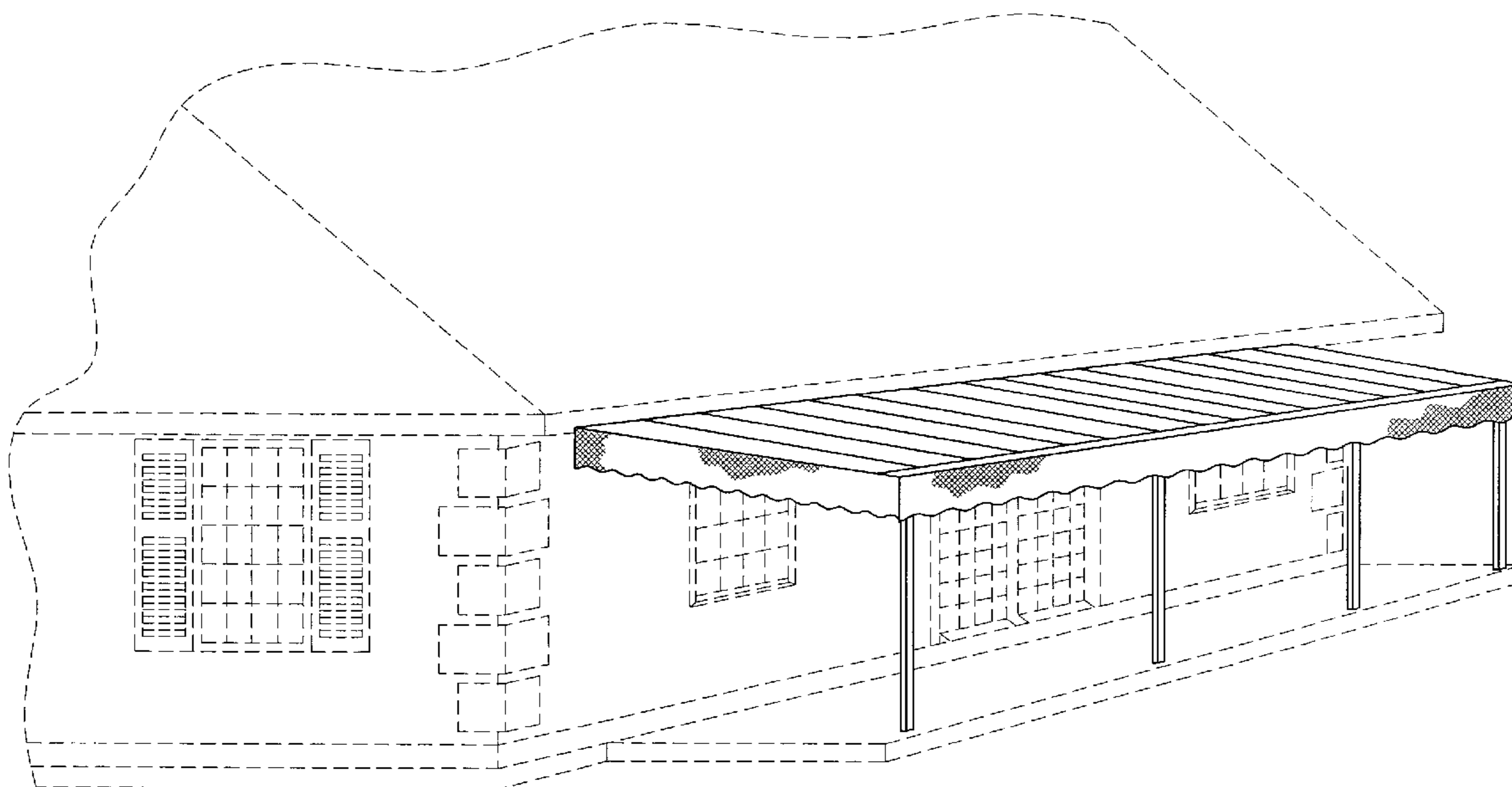
(57) **CLAIM**

The ornamental design for a metal awning with cloth valance and support members, as shown and described.

DESCRIPTION

FIG. 1 is a front perspective view of an metal awning with aluminum support members and with a cloth valance showing my new design with an associated permanent building structure illustrated in broken lines for environment only and forms no part of the claimed design; FIG. 2 is a front elevational view thereof; FIG. 3 is a rear elevational view thereof; FIG. 4 is a left side elevational view thereof; FIG. 5 is a right side elevational view thereof; FIG. 6 is a top plan view thereof; and, FIG. 7 is a bottom plan view thereof.

1 Claim, 6 Drawing Sheets



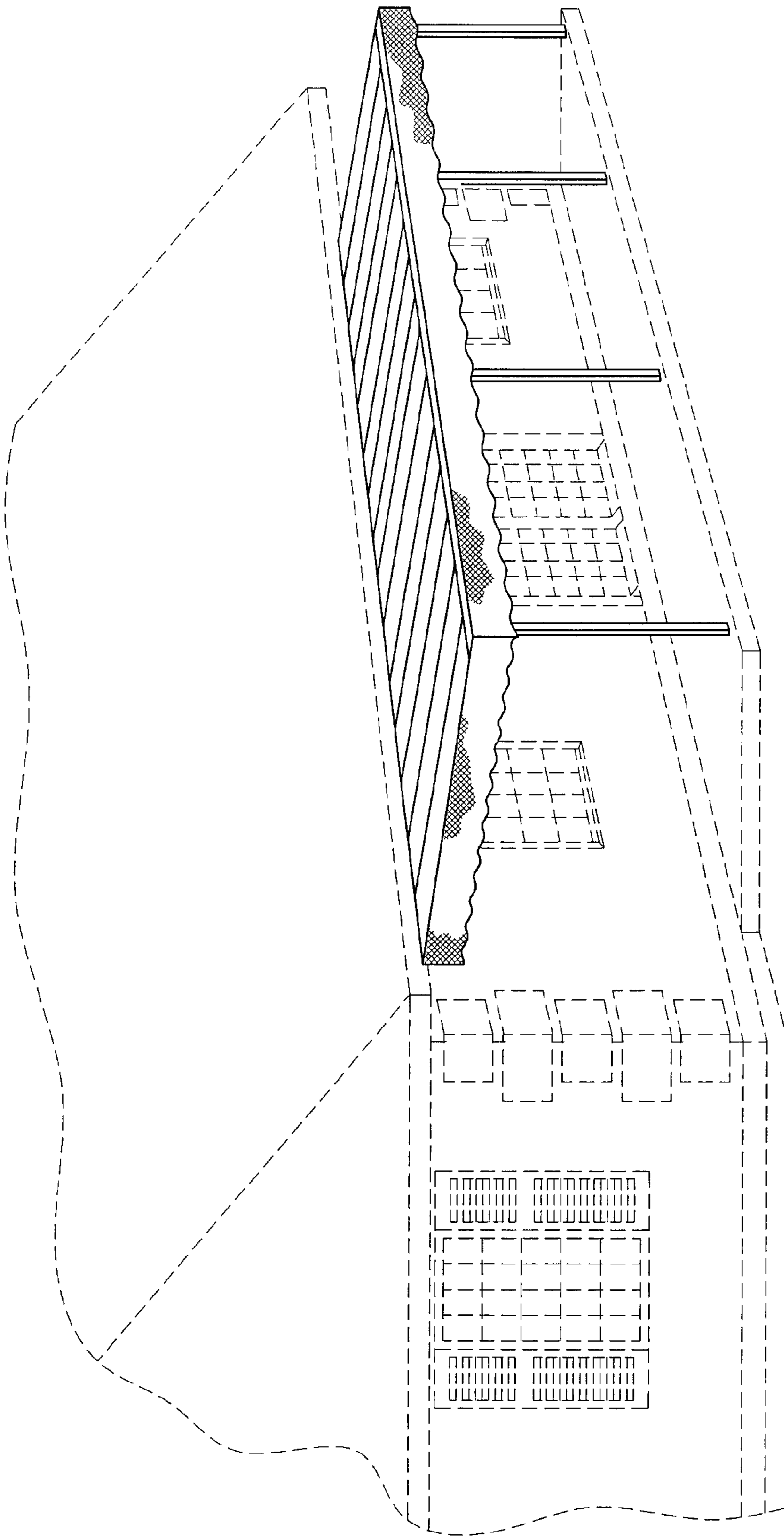


FIG. 1

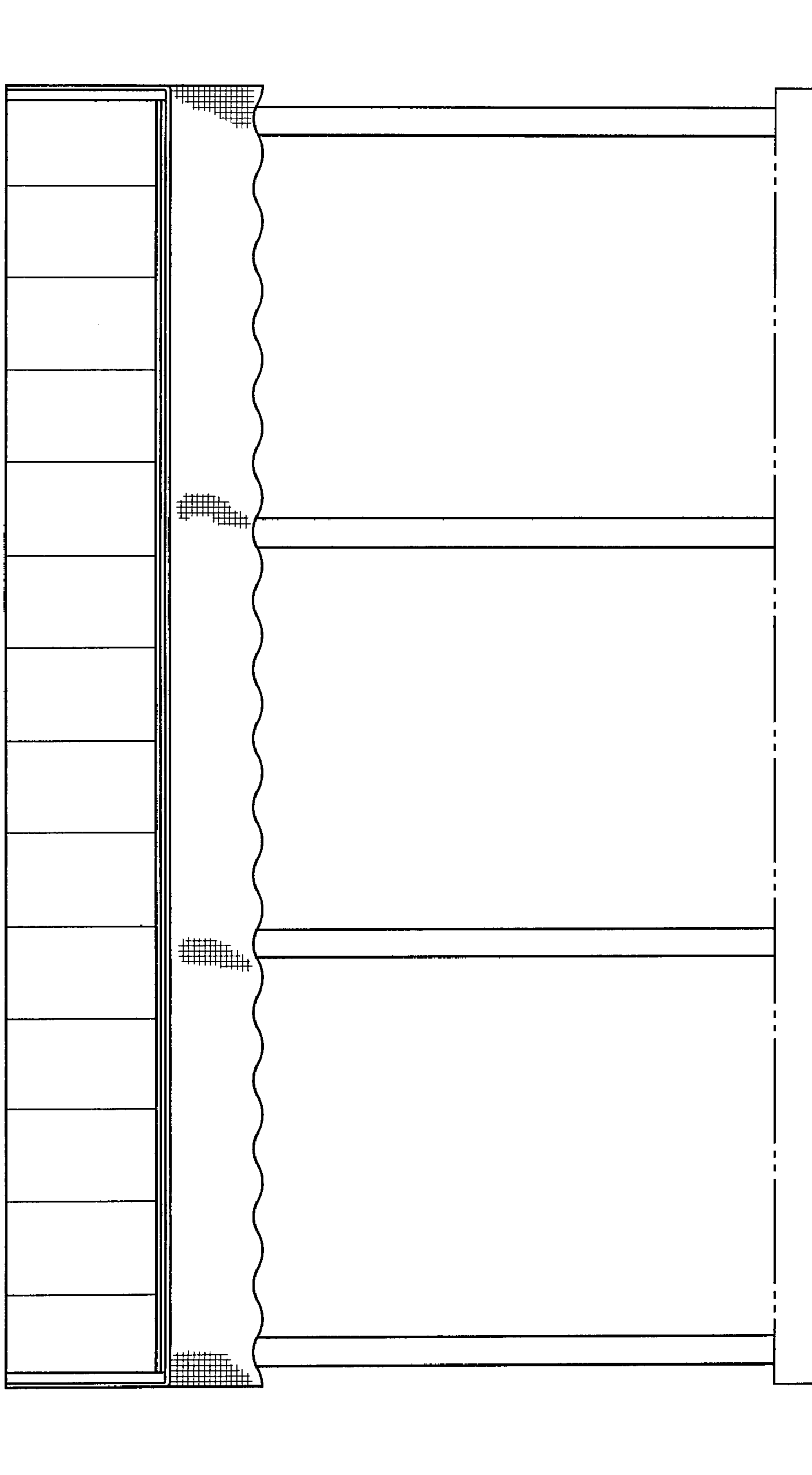


FIG. 2

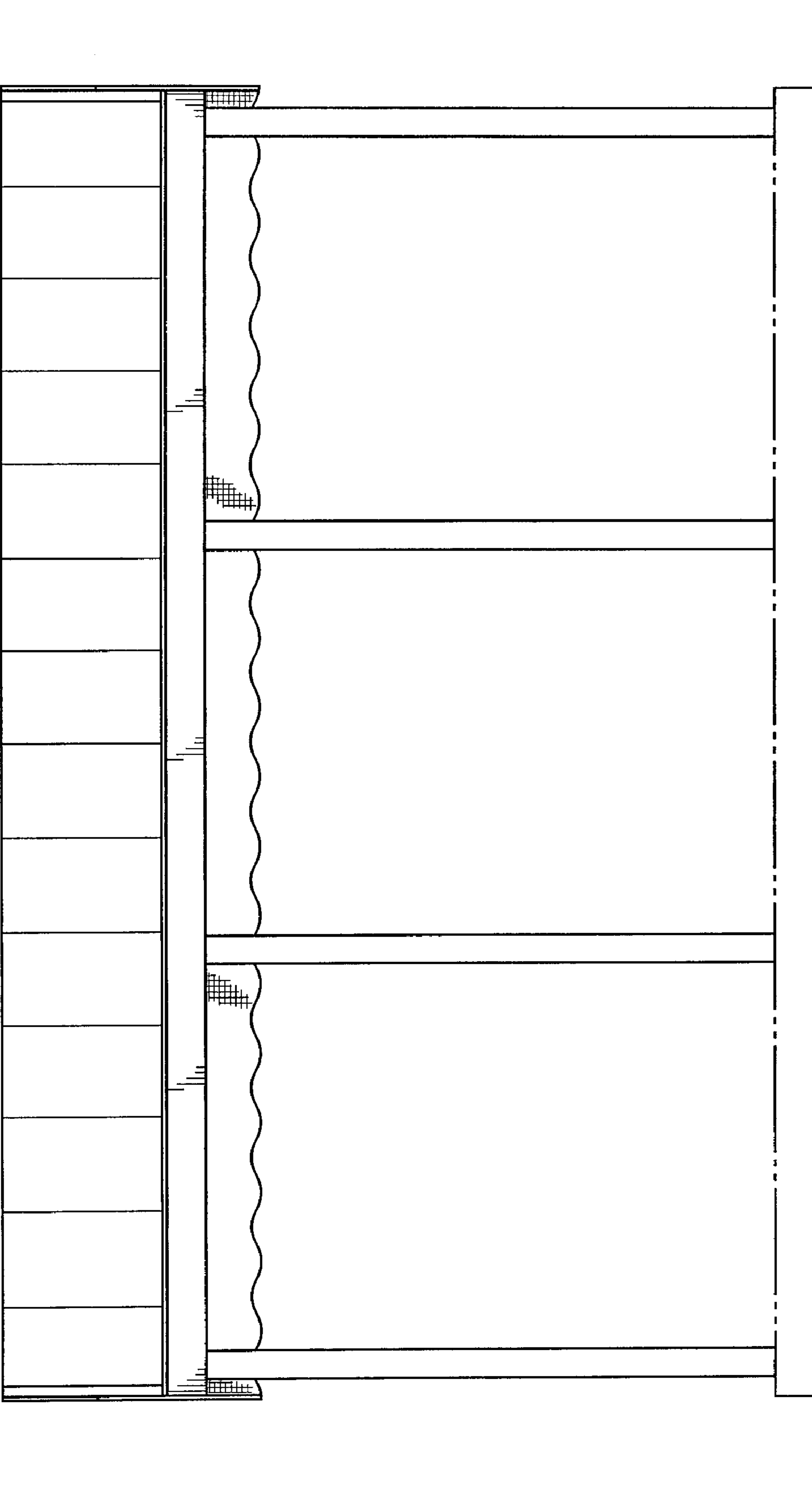


FIG. 3

FIG. 4

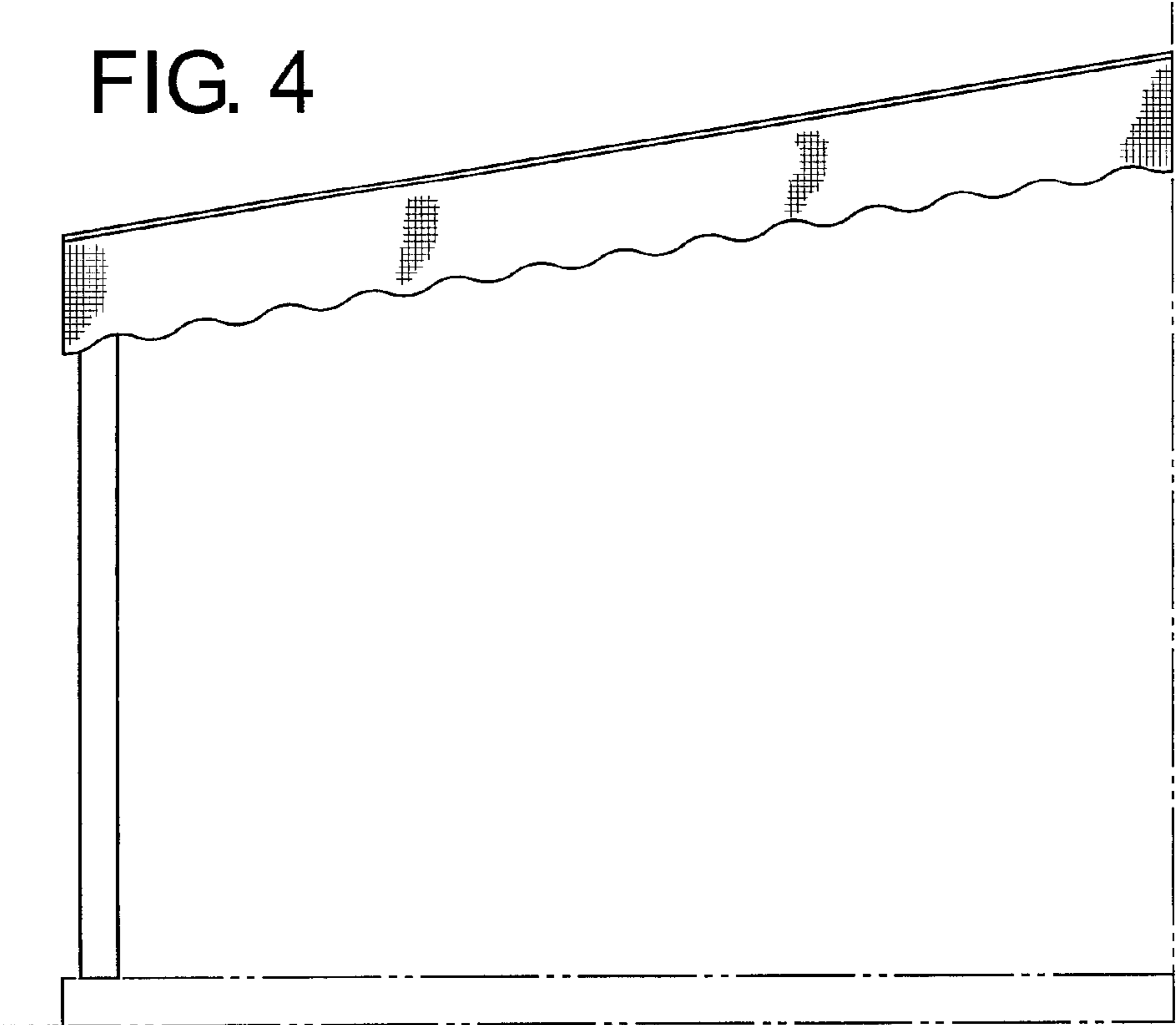
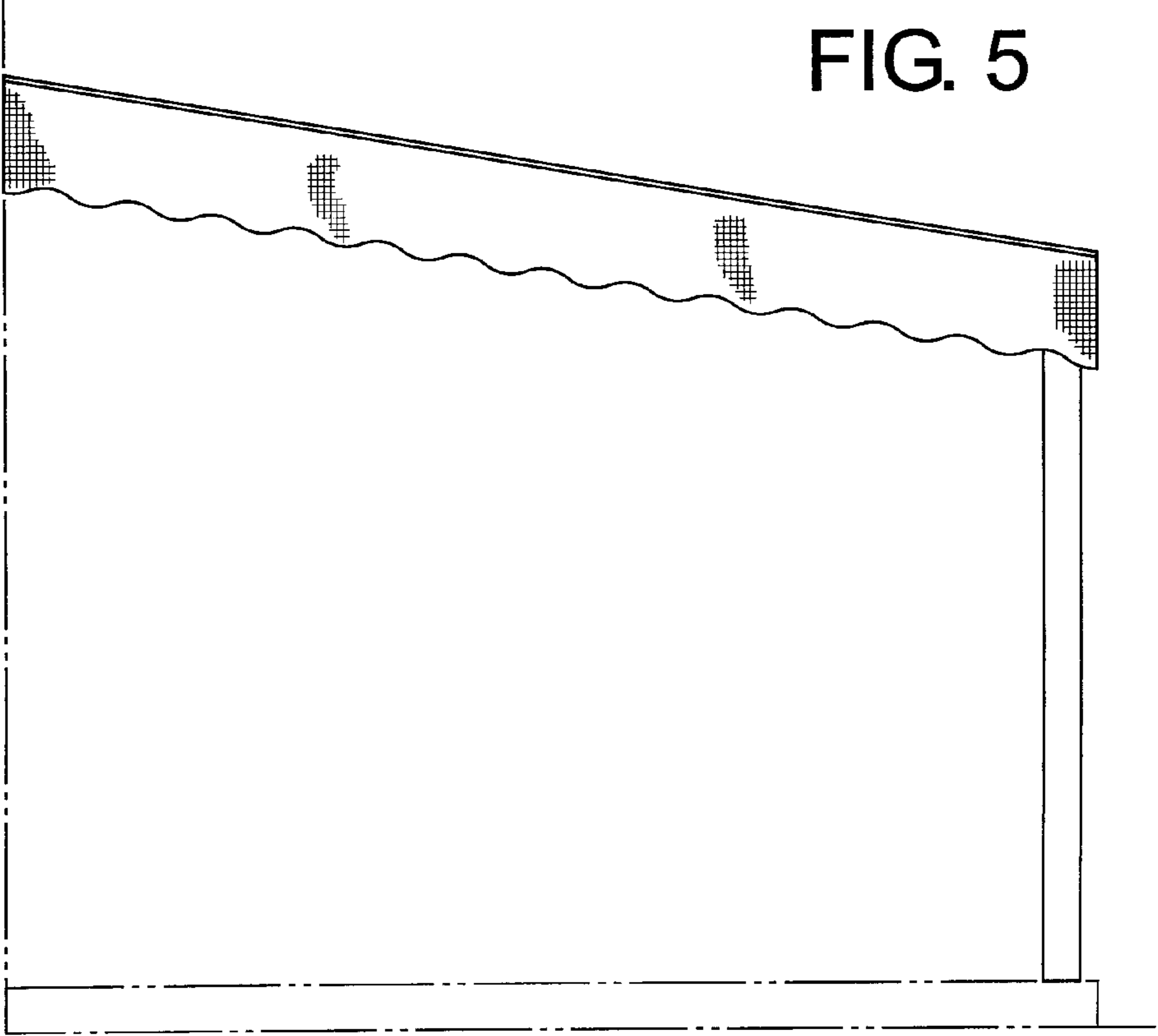


FIG. 5



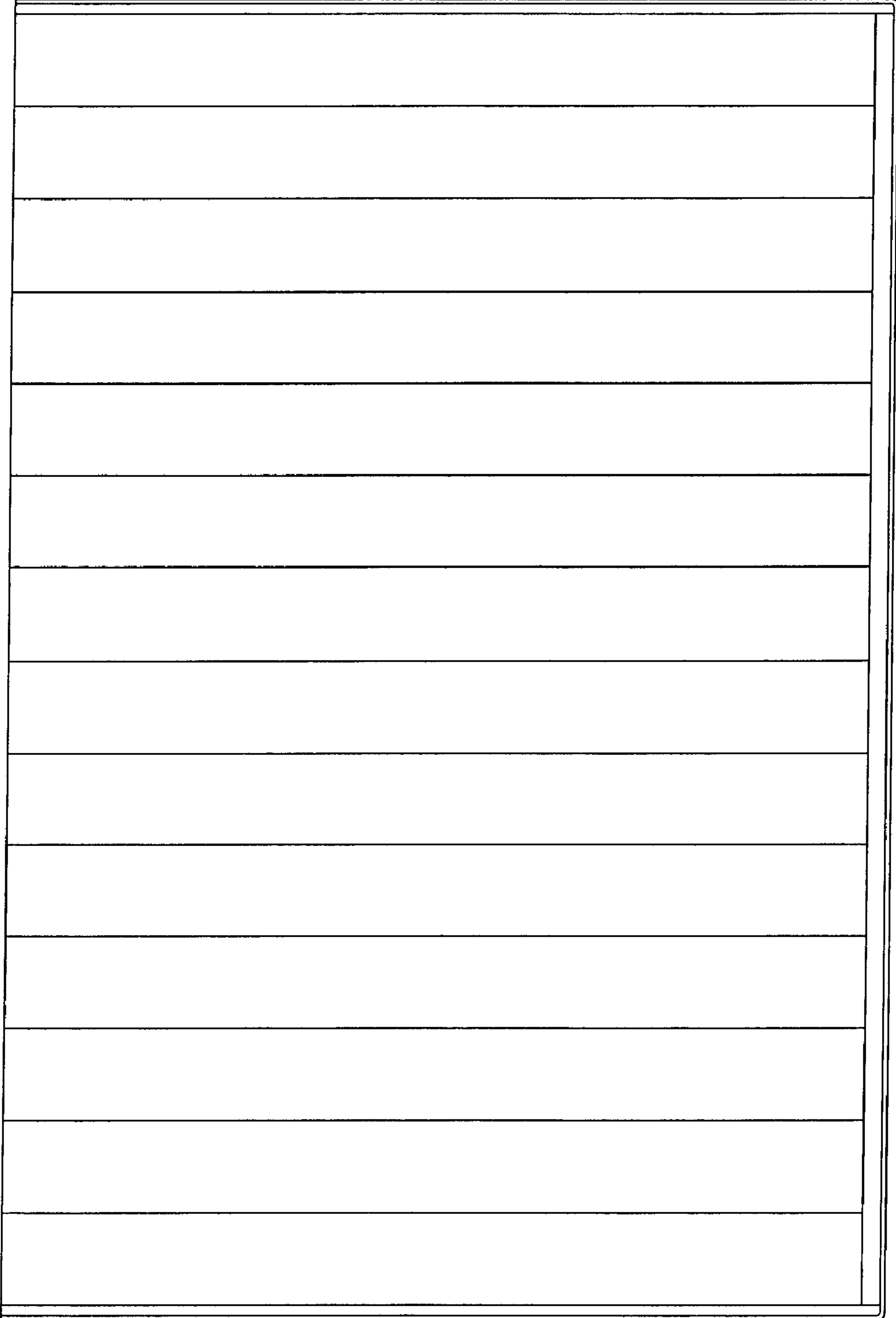


FIG. 6

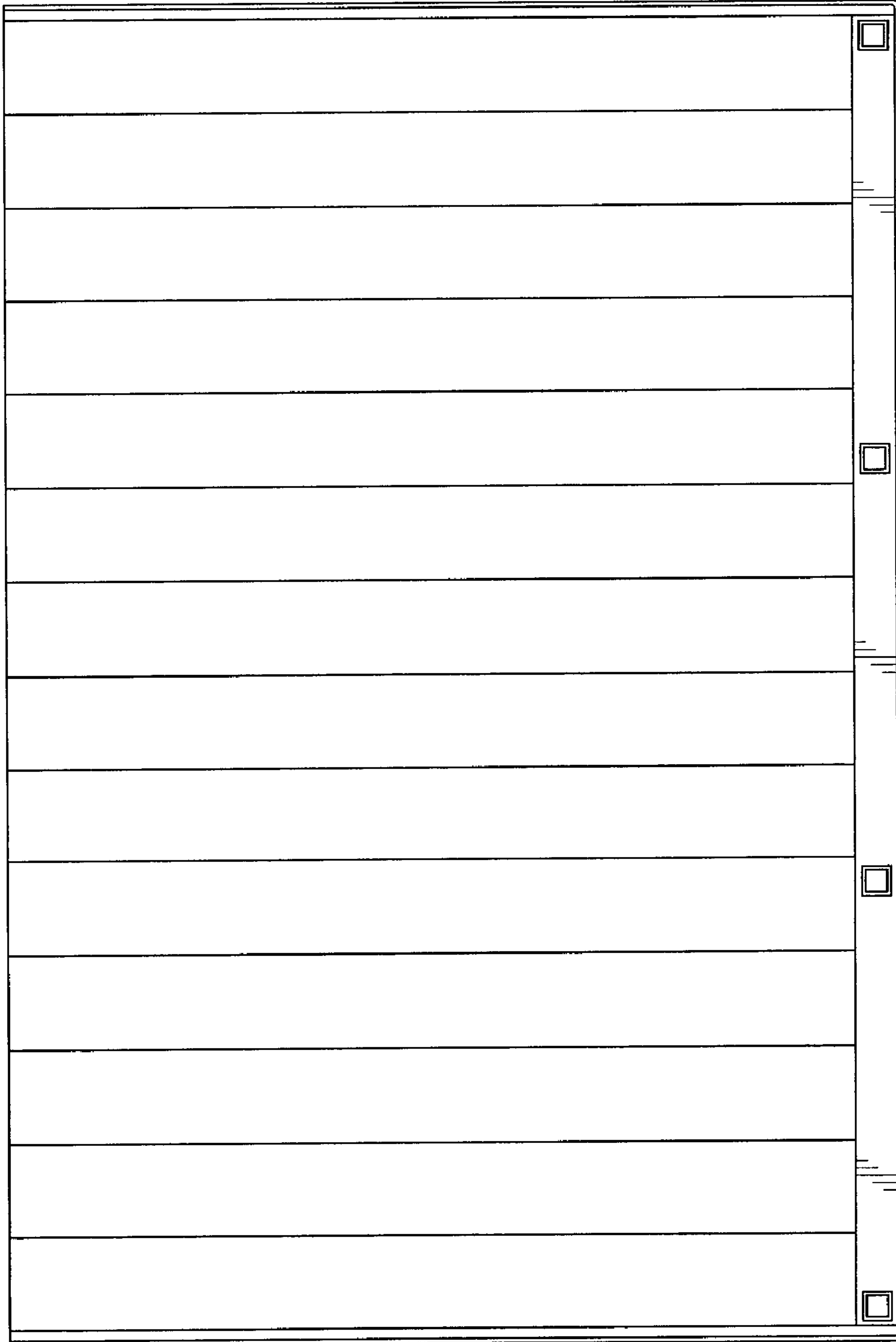


FIG. 7