



US00D513801S

(12) **United States Design Patent**
Stubkjaer

(10) **Patent No.:** **US D513,801 S**
(45) **Date of Patent:** **** Jan. 24, 2006**

(54) **ENDOSCOPY FLUID PUMP TUBING SET**

2001/0004444 A1 * 6/2001 Haser et al. 417/477.2
2005/0095155 A1 * 5/2005 Blight et al. 417/477.13

(75) **Inventor:** **Eric N. Stubkjaer**, Seminole, FL (US)

* cited by examiner

(73) **Assignee:** **Linvatec Corporation**, Largo, FL (US)

Primary Examiner—Ian Simmons

(**) **Term:** **14 Years**

(74) *Attorney, Agent, or Firm*—Gene Warzecha

(21) **Appl. No.:** **29/199,662**

(57) **CLAIM**

(22) **Filed:** **Feb. 18, 2004**

The ornamental design for an endoscopy fluid pump tubing set, substantially as shown and described.

(51) **LOC (8) Cl.** **24-02**

DESCRIPTION

(52) **U.S. Cl.** **D24/111**

(58) **Field of Classification Search** D24/111;
D15/7; 604/131, 246, 153, 132, 30; 128/DIG. 12;
417/477.1, 477.2, 477.13, 477.14, 477.12
See application file for complete search history.

FIG. 1 is a front perspective view of an endoscopy fluid pump showing my new design.

FIG. 2 is a front elevation view thereof.

FIG. 3 is a rear elevation view thereof.

FIG. 4 is a left side elevation view thereof.

FIG. 5 is a right side elevation view thereof.

FIG. 6 is a top plan view thereof; and,

FIG. 7 is a bottom plan view thereof.

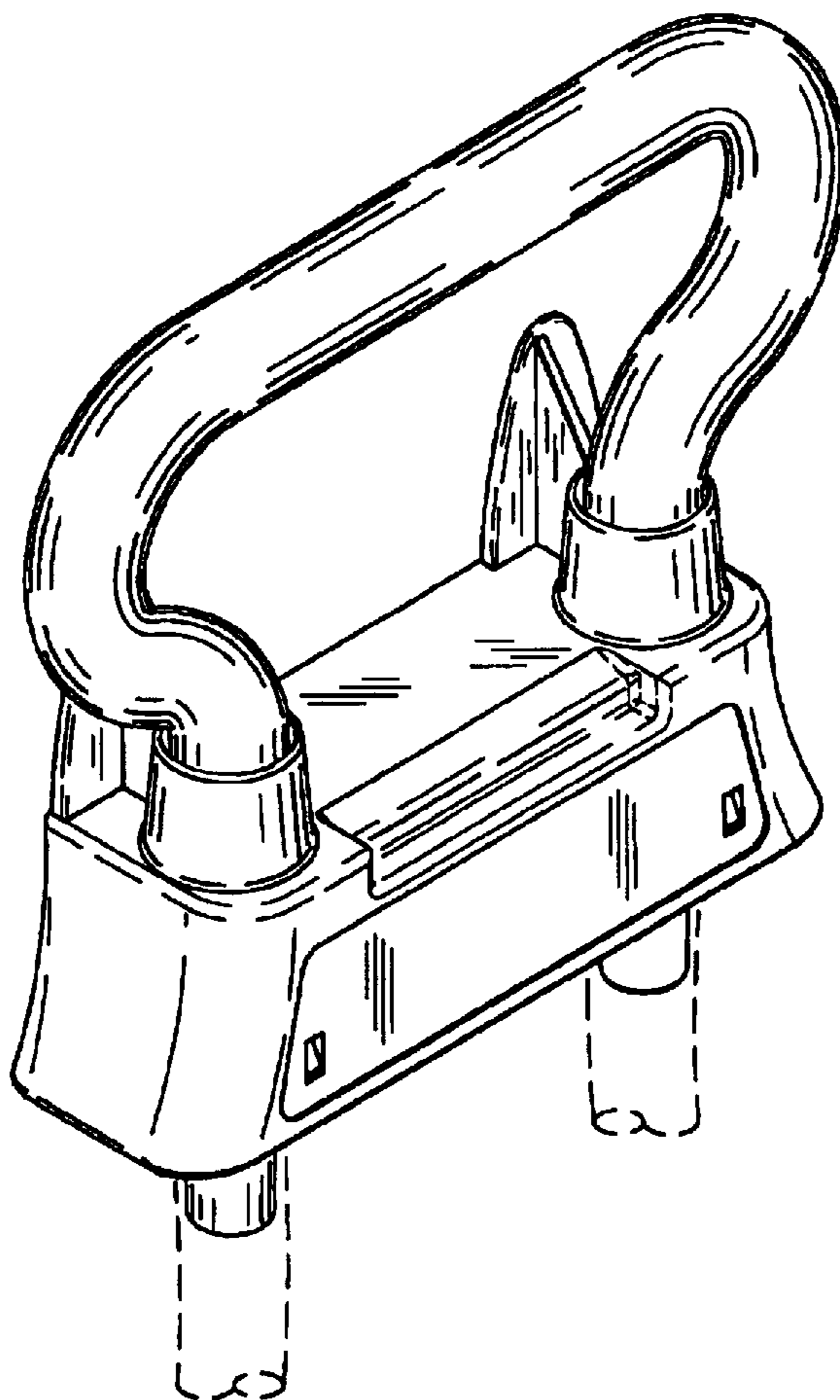
The broken lines showing the tubing are for illustrative purposes only and form no part of the claimed design.

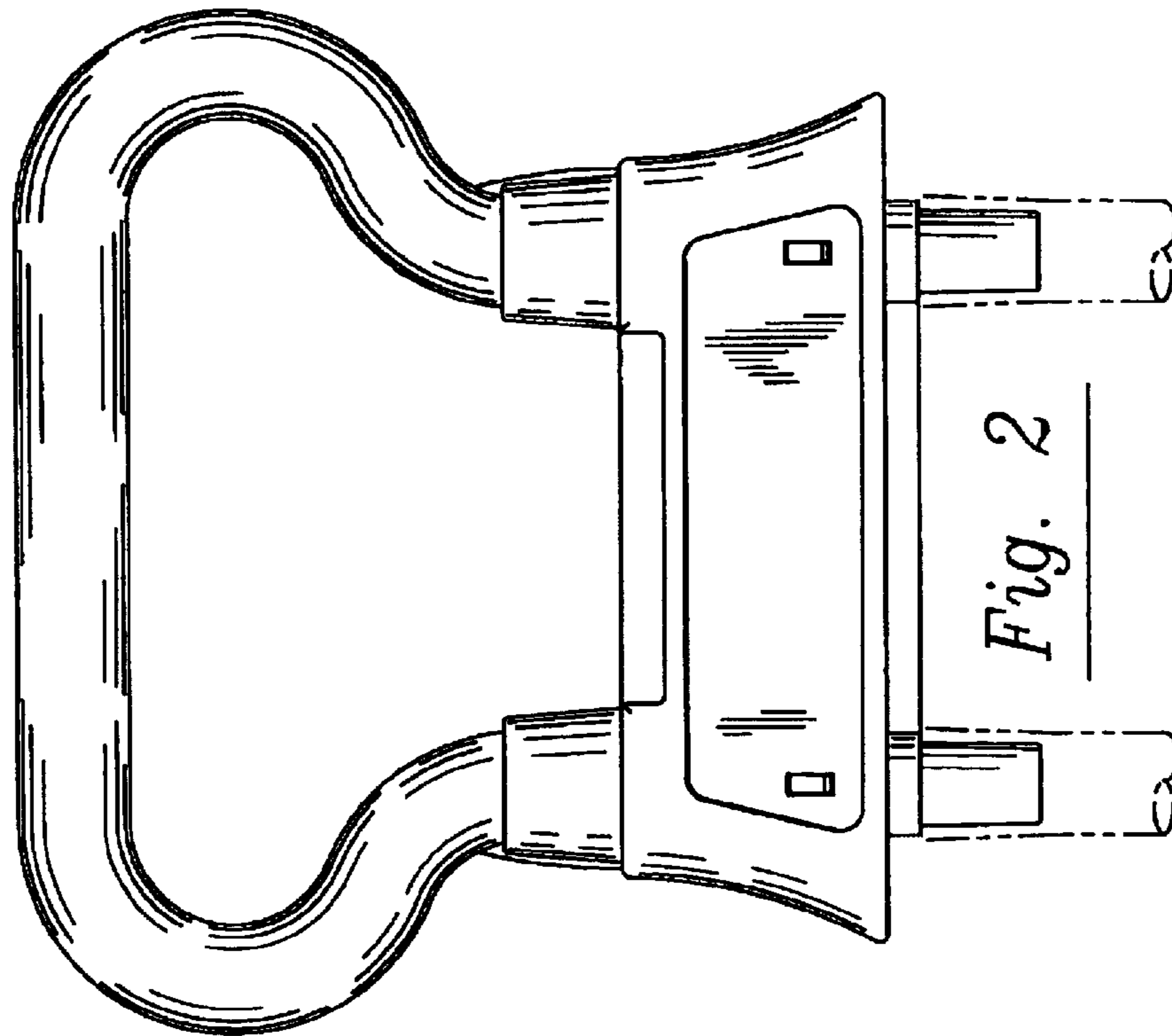
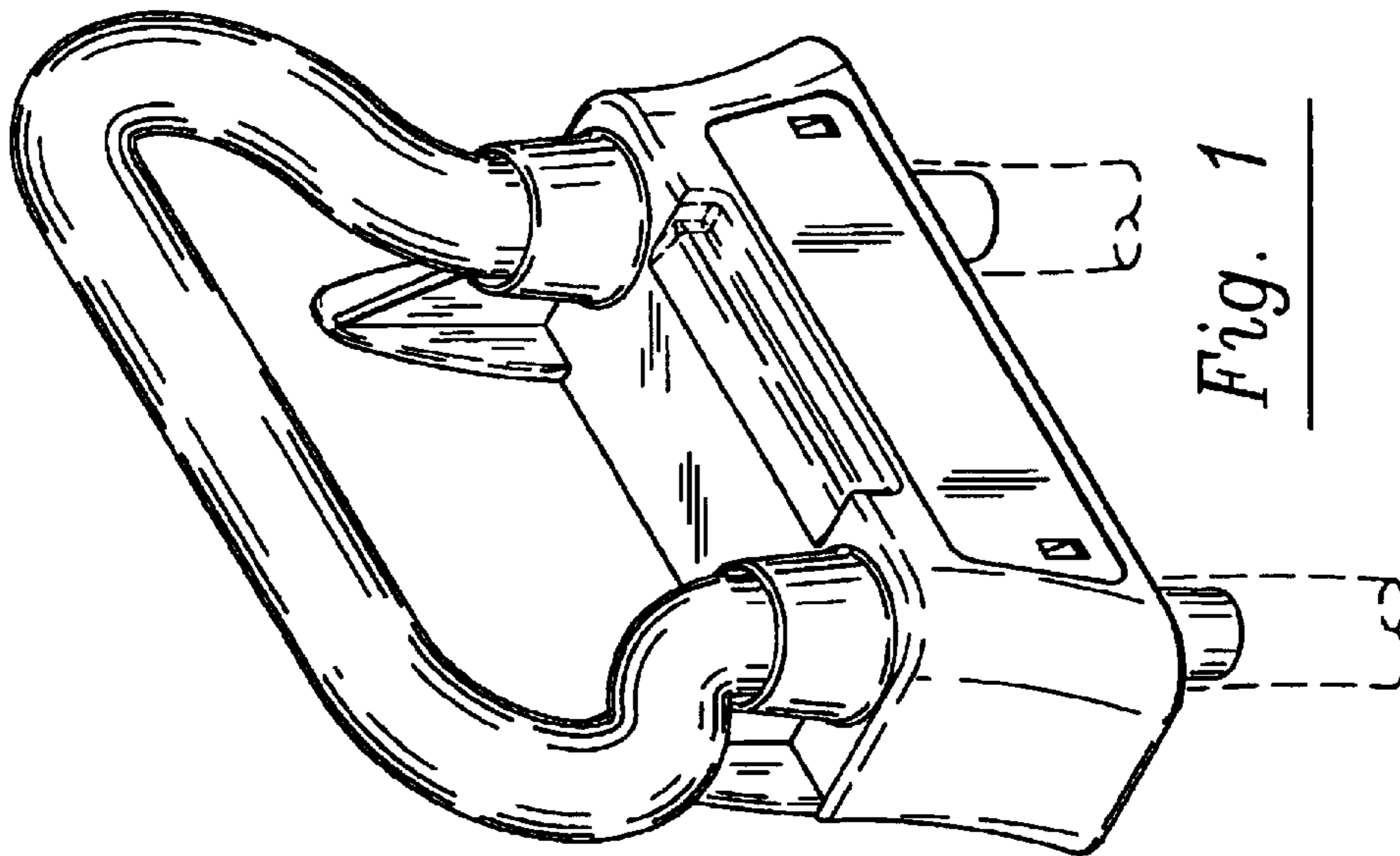
(56) **References Cited**

U.S. PATENT DOCUMENTS

4,599,055 A * 7/1986 Dykstra 417/477.2
D376,848 S * 12/1996 Zeilig et al. D24/111
6,319,223 B1 * 11/2001 Wortrich et al. 604/30
D462,121 S * 8/2002 Cartledge et al. D24/111

1 Claim, 3 Drawing Sheets





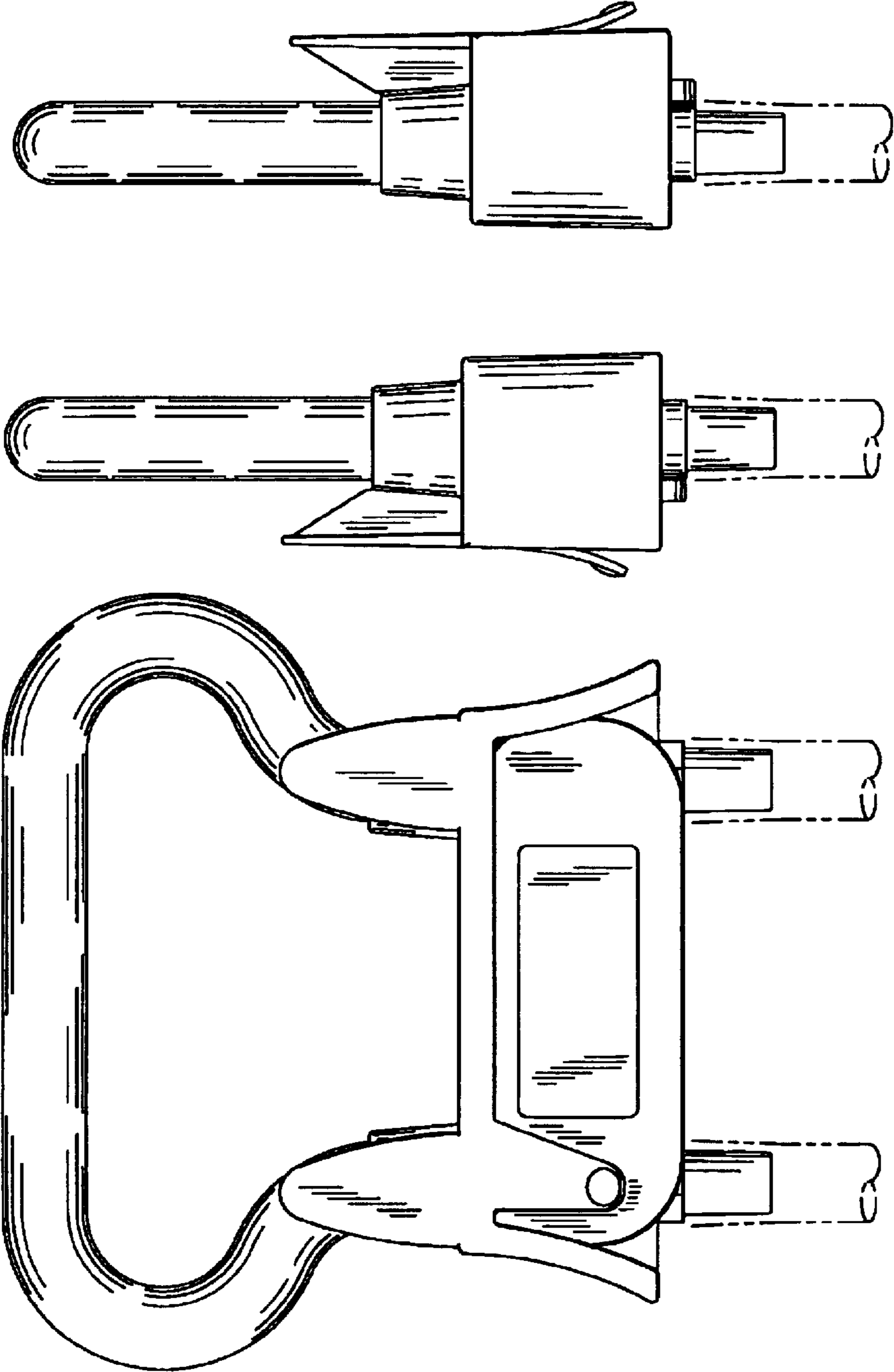


Fig. 3

Fig. 4

Fig. 5

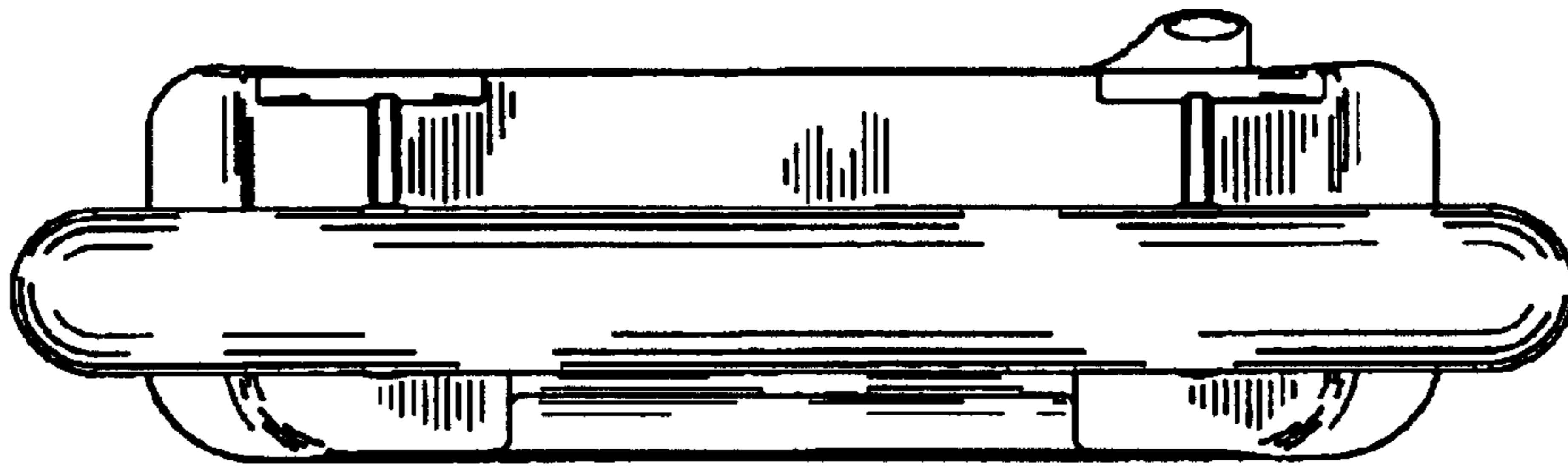


Fig. 6

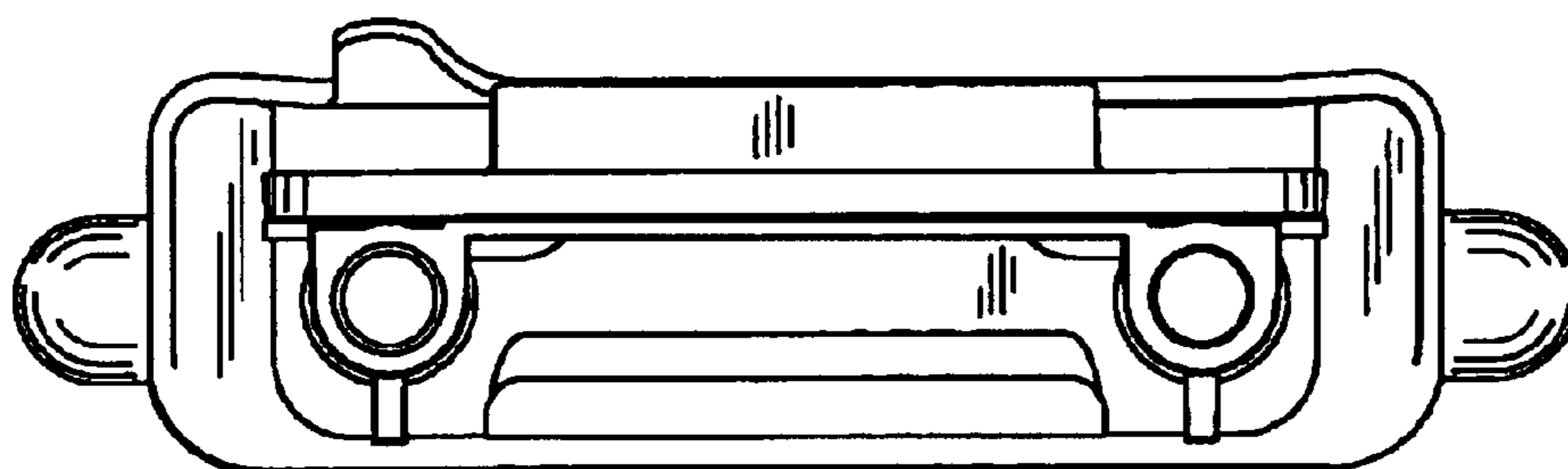


Fig. 7