



US00D513796S

(12) **United States Design Patent**
Borowske et al.

(10) **Patent No.: US D513,796 S**
(45) **Date of Patent: ** Jan. 24, 2006**

(54) **OUTDOOR FIREPLACE**

(75) Inventors: **James Borowske**, 1718 Bean Oller Rd., Delaware, OH (US) 43015; **Robert W. Ferguson**, Sharon, VT (US); **Stephen F. Richardson**, Randolph Center, VT (US); **Derik K. Andors**, Braintree, VT (US)

(73) Assignee: **James Borowske**, Delaware, OH (US)

(**) Term: **14 Years**

(21) Appl. No.: **29/207,422**

(22) Filed: **Jun. 14, 2004**

(51) **LOC (8) Cl. 23-03**

(52) **U.S. Cl. D23/343; D6/480; D7/333**

(58) **Field of Classification Search** D23/398, D23/342, 343, 348, 346, 350, 317, 403; 126/58, 126/500, 505, 519, 555, 9 A, 9 R; D6/480, D6/484, 486; D7/332, 337, 334, 362; D25/151
See application file for complete search history.

(56) **References Cited**

U.S. PATENT DOCUMENTS

2,728,334 A * 12/1955 Paolella 126/9 R

3,491,744 A * 1/1970 Von Kohorn, Jr. et al. .. D7/334
3,557,770 A * 1/1971 Szentkuti 126/9 R
3,561,420 A * 2/1971 Paolella 126/9 R
4,349,713 A * 9/1982 Marsen D7/362
D299,305 S * 1/1989 Vollborn D7/332

* cited by examiner

Primary Examiner—Louis S. Zarfaz

Assistant Examiner—Melanie Levy

(74) *Attorney, Agent, or Firm*—Williams Mullen, PC; Thomas F. Bergert

(57) **CLAIM**

The ornamental design for an outdoor fireplace, as shown and described.

DESCRIPTION

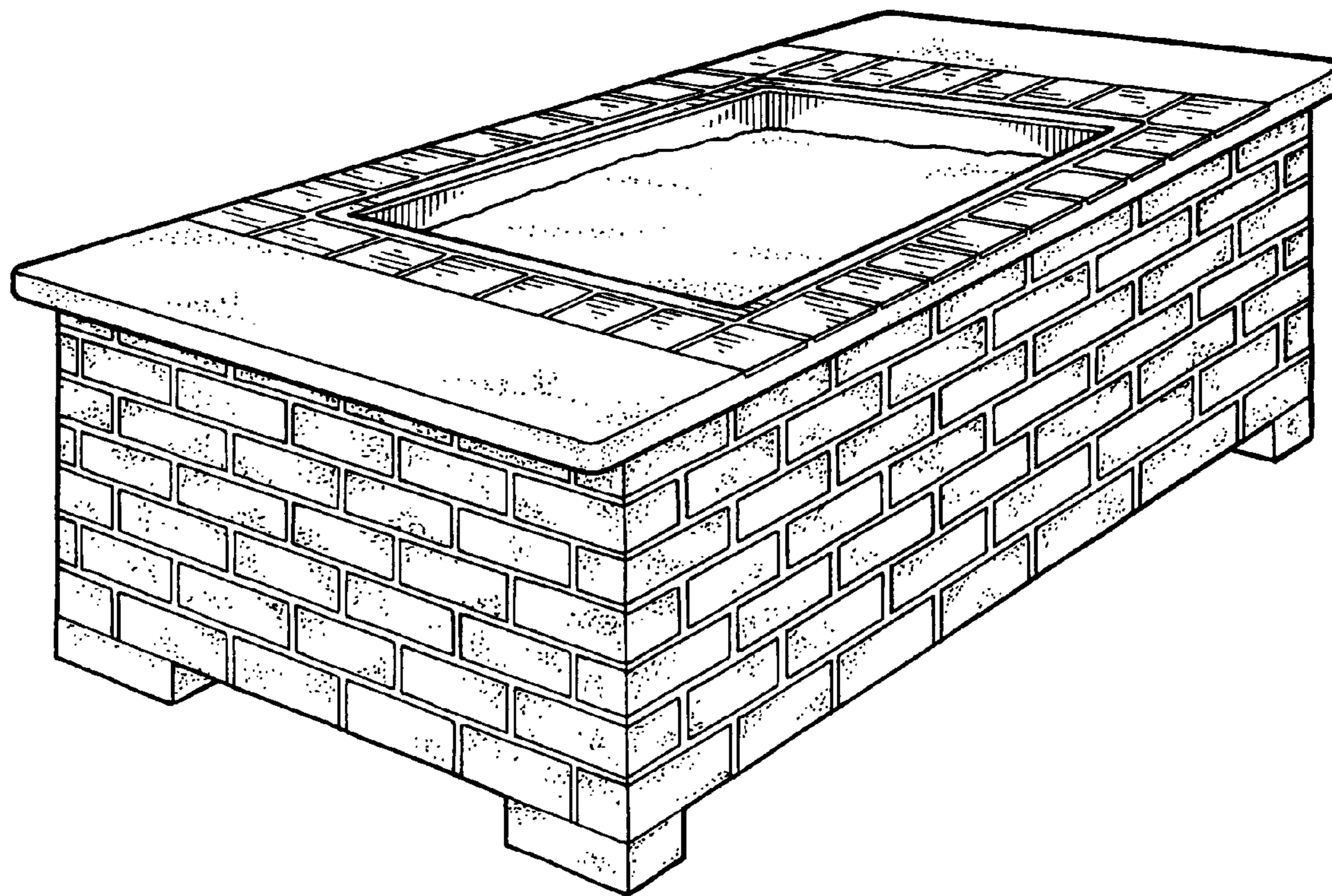
FIG. 1 is a top right front perspective view of an outdoor fireplace showing our new design.

FIG. 2 is a top left front perspective view of the outdoor fireplace of FIG. 1;

FIG. 3 is a bottom right front perspective view of the outdoor fireplace of FIG. 1; and,

FIG. 4 is a bottom left front perspective view of the outdoor fireplace of FIG. 1.

1 Claim, 4 Drawing Sheets



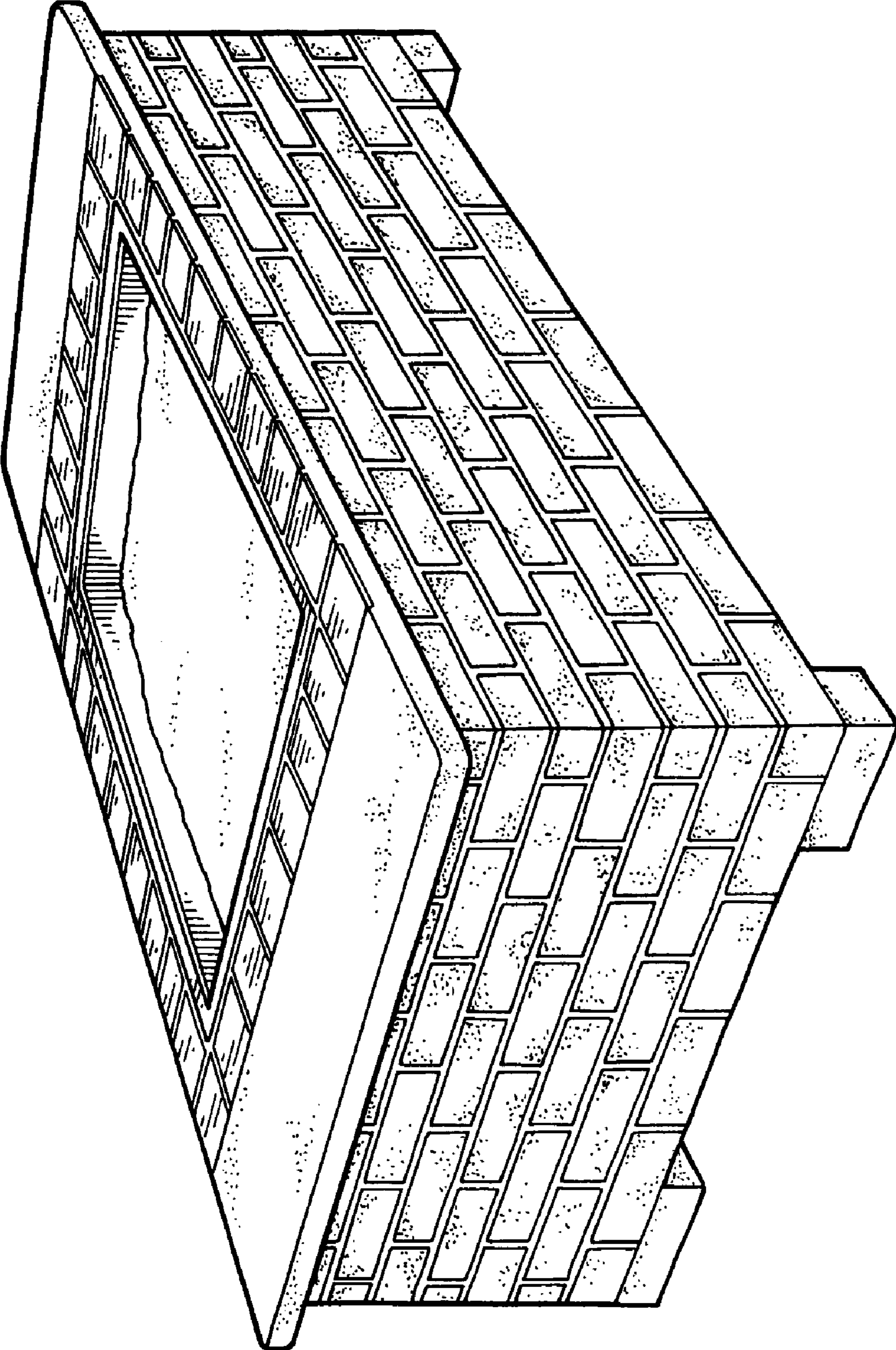


FIG. 1

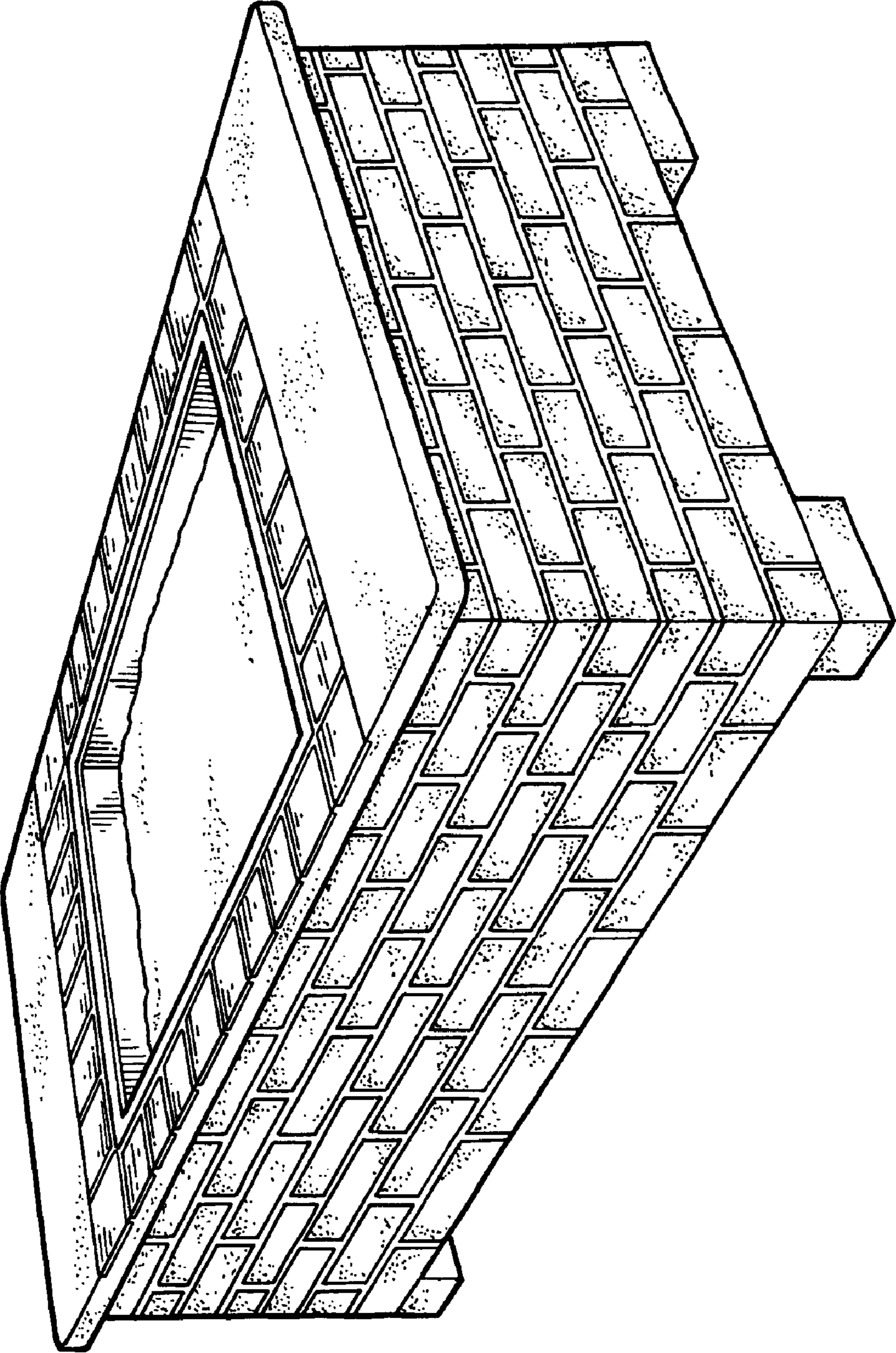


FIG. 2

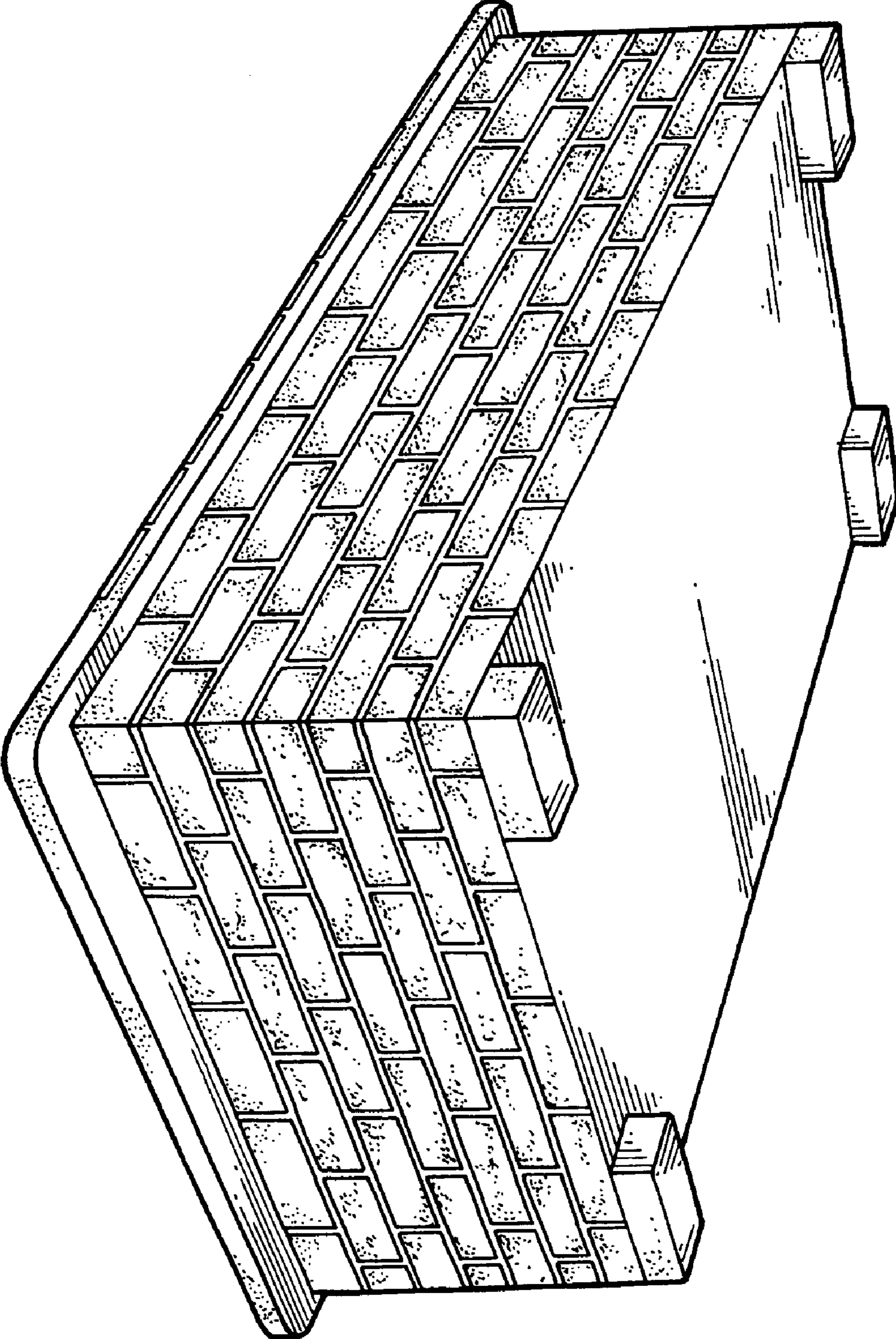


FIG. 3

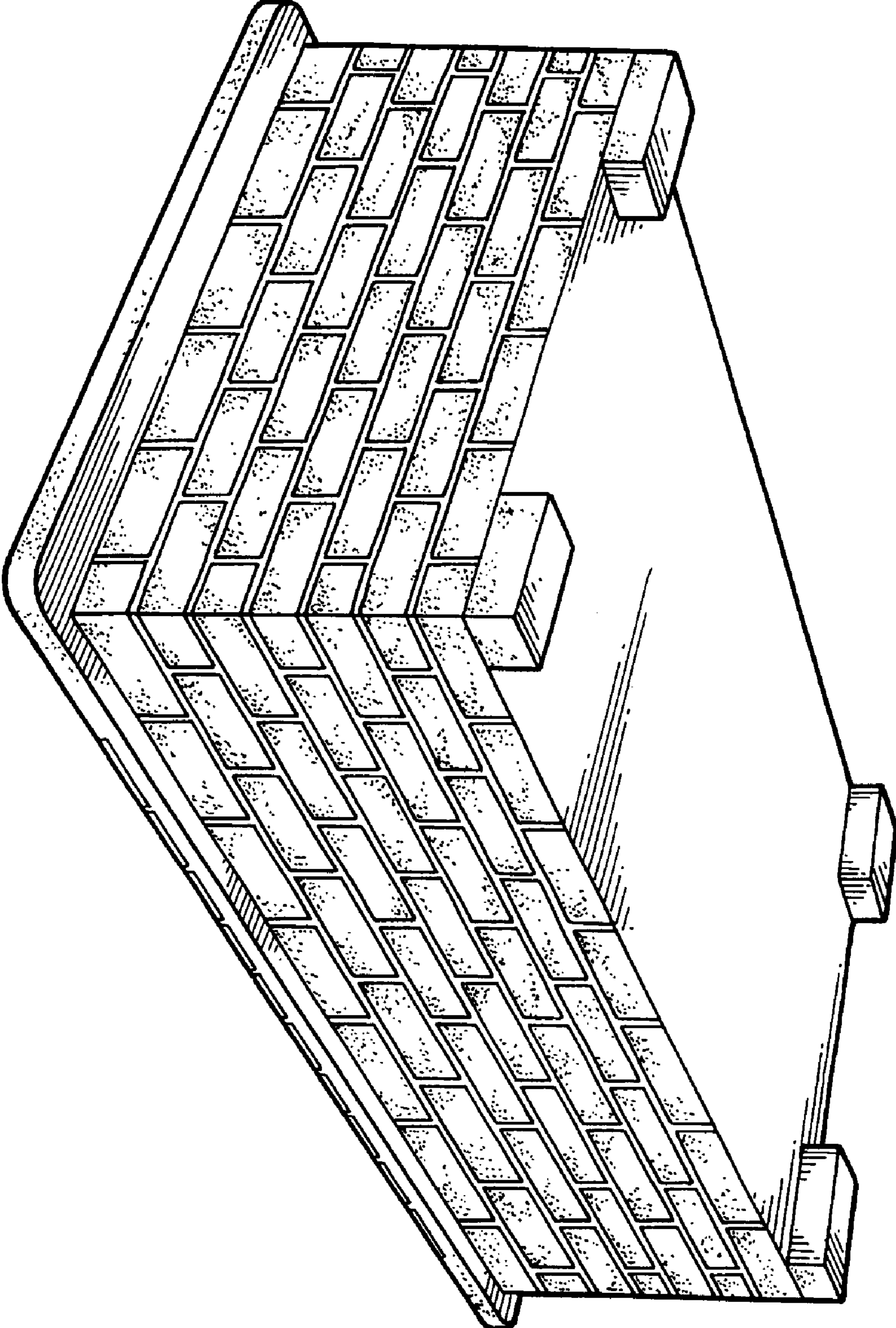


FIG.4