



US00D513791S

(12) **United States Design Patent**
Kosasih

(10) **Patent No.:** **US D513,791 S**
(45) **Date of Patent:** **** Jan. 24, 2006**

(54) **COMBINED FAUCET HANDLE AND HUB**

(75) **Inventor:** **Angie L. Kosasih**, Rancho Santa
Margarita, CA (US)

(73) **Assignee:** **Newfrey LLC**, Newark, DE (US)

(**) **Term:** **14 Years**

(21) **Appl. No.:** **29/209,916**

(22) **Filed:** **Jul. 23, 2004**

(51) **LOC (8) Cl.** **23-01**

(52) **U.S. Cl.** **D23/252**

(58) **Field of Classification Search** D23/238–243,
D23/245, 250–257; D8/300–322, 350–353,
D8/DIG. 3; 16/110.1; 4/675–678; 137/801
See application file for complete search history.

(56) **References Cited**

U.S. PATENT DOCUMENTS

D280,543 S	9/1985	Paul	
D290,496 S	6/1987	Ryan	
D290,738 S	7/1987	Hill et al.	
D296,815 S	7/1988	Jans	
D305,356 S	1/1990	Delepine	
D311,438 S	10/1990	Strignano	
D317,196 S	5/1991	Robbins	
D327,532 S	6/1992	Ko	
D357,730 S	4/1995	Saperstein	
D364,216 S	11/1995	Hill et al.	
D364,217 S	11/1995	Dubin	
D372,300 S	7/1996	Fabian	
D390,921 S	2/1998	Steffes et al.	
D391,351 S	2/1998	Ko	
D395,812 S	* 7/1998	Doughty et al. D8/321
D404,470 S	1/1999	Pitsch et al.	
D407,143 S	3/1999	Hyde et al.	
D426,872 S	6/2000	Milrud et al.	
D433,103 S	10/2000	Spangler	
D433,104 S	10/2000	Spangler	
D433,108 S	10/2000	Spangler	
D433,484 S	11/2000	Spangler	
D434,118 S	11/2000	Lord	
D436,397 S	1/2001	Lord	

D436,654 S	1/2001	Spangler
D439,954 S	4/2001	Spangler
D443,676 S	6/2001	Spangler
D443,678 S	6/2001	Lord
D443,920 S	6/2001	Lord
D444,213 S	6/2001	Lord
D454,622 S	3/2002	Isaacs
D458,346 S	6/2002	Mullenmeister
D458,347 S	6/2002	Mullenmeister
D458,349 S	6/2002	Mullenmeister
D458,989 S	6/2002	Mullenmeister
D460,158 S	7/2002	Green et al.
D460,531 S	7/2002	Ko
D463,012 S	9/2002	Otero et al.
D465,557 S	11/2002	Antonello et al.
D465,559 S	11/2002	Chen

(Continued)

Primary Examiner—Louis S. Zarfes
Assistant Examiner—Gregory Andoll
(74) *Attorney, Agent, or Firm*—Richard J. Veltman; John D. DePonti

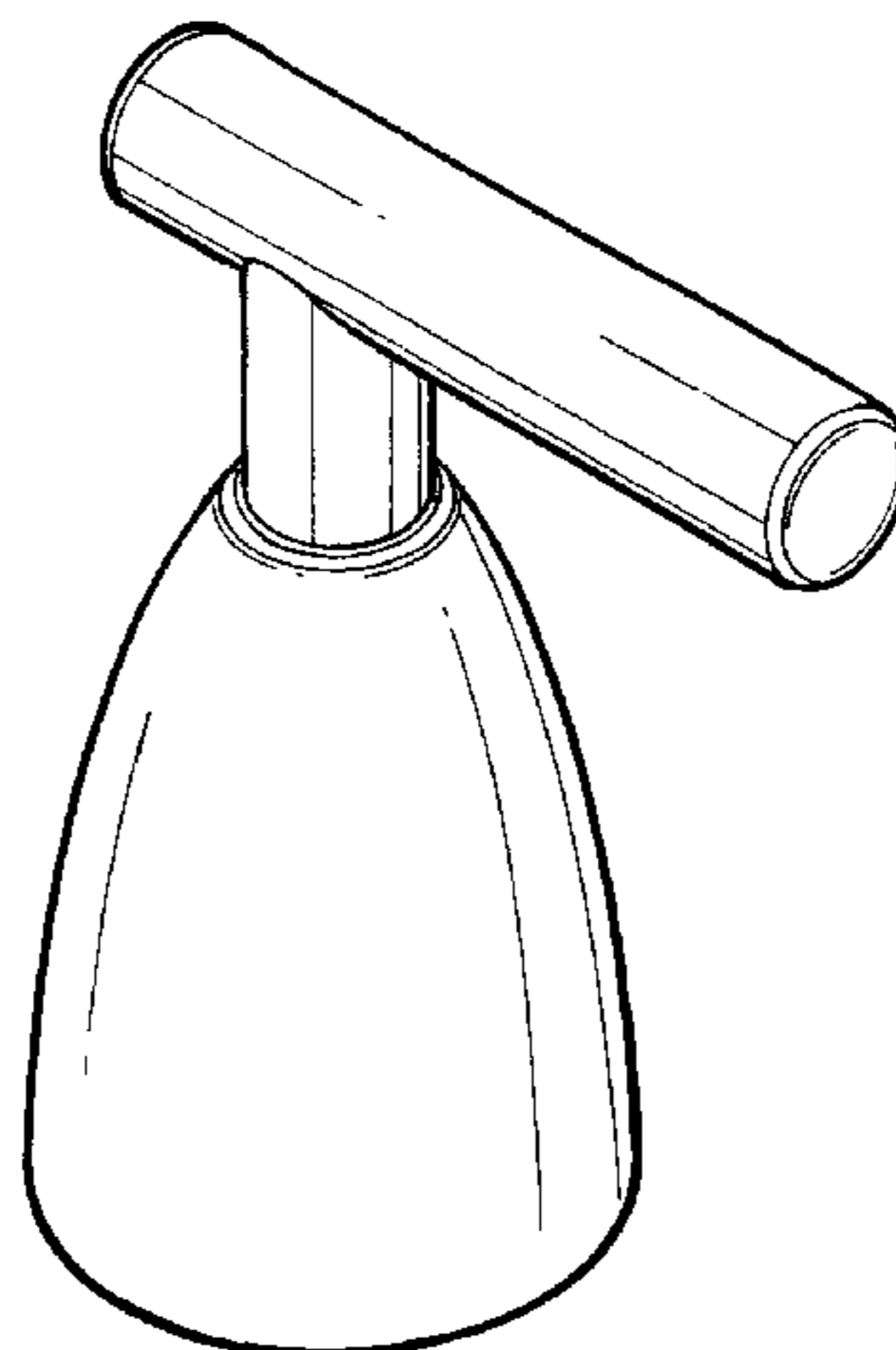
(57) **CLAIM**

The ornamental design for a combined faucet handle and hub, as shown and described.

DESCRIPTION

FIG. 1 is a perspective view of the new design for a combined faucet handle and hub;
FIG. 2 is a left elevational view of the new design for a combined faucet handle and hub, the right elevational view being a mirror image;
FIG. 3 is a top plan view of the new design for a combined faucet handle and hub;
FIG. 4 is a bottom plan view of the new design for a combined faucet handle and hub; and,
FIG. 5 is a front elevational view of the new design for a combined faucet handle and hub, the rear elevational view being a mirror image.
The broken lines in FIG. 4 are for illustrative purposes only and form no part of the claimed design.

1 Claim, 2 Drawing Sheets



US D513,791 S

Page 2

U.S. PATENT DOCUMENTS

D467,314 S	12/2002	Otero	D484,951 S	1/2004	Lin	
D468,407 S	1/2003	Otero et al.	D490,502 S	5/2004	Ouyoung	
D472,607 S	4/2003	Warshawsky et al.	D490,878 S	8/2004	Hunt	
D480,451 S	10/2003	Singtoroj et al.	D496,434 S *	9/2004	Spangler	D23/252
D482,759 S	11/2003	Otero	D507,331 S *	7/2005	Lord et al.	D23/252
D482,760 S	11/2003	Fraser et al.				

* cited by examiner

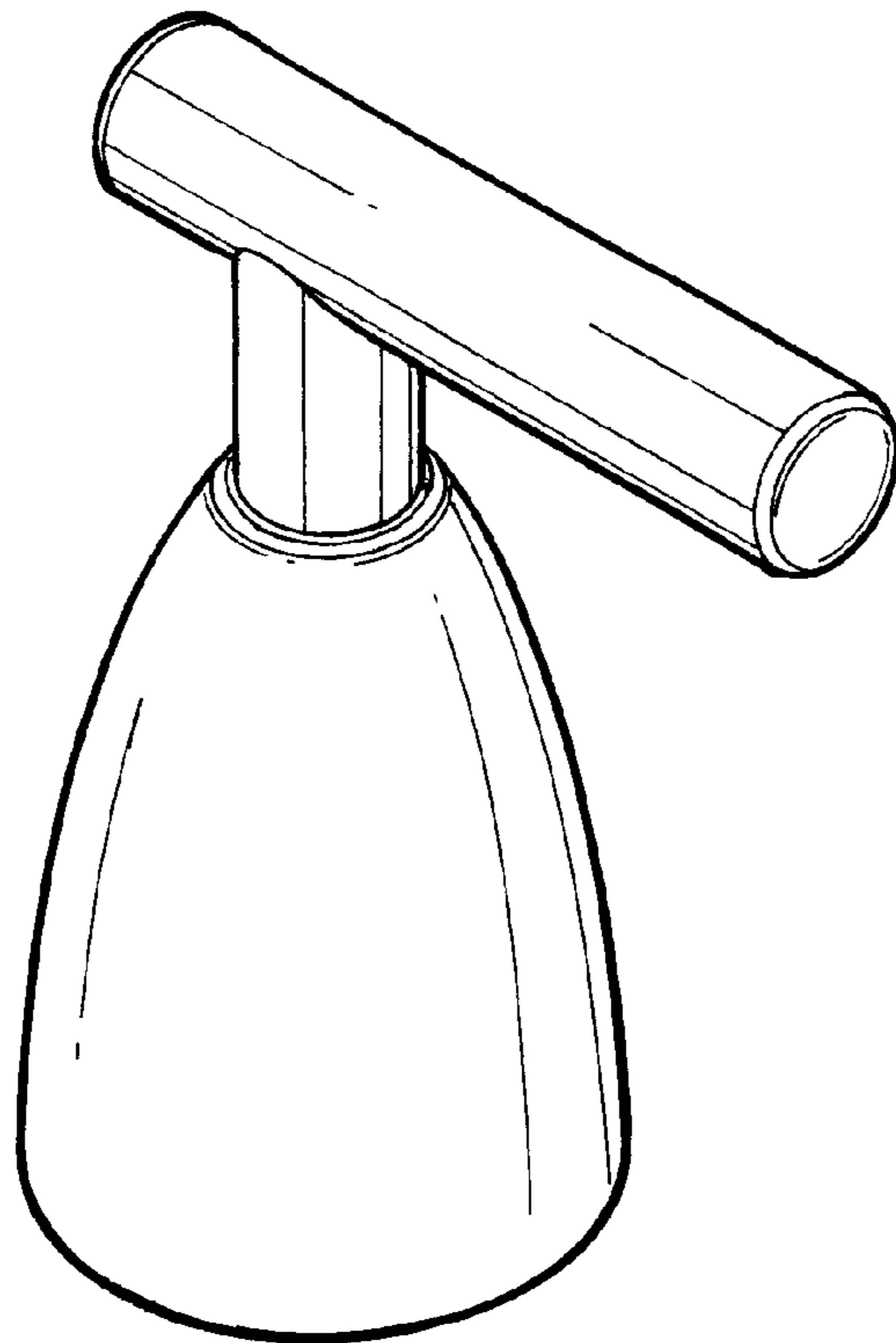


FIG. 1

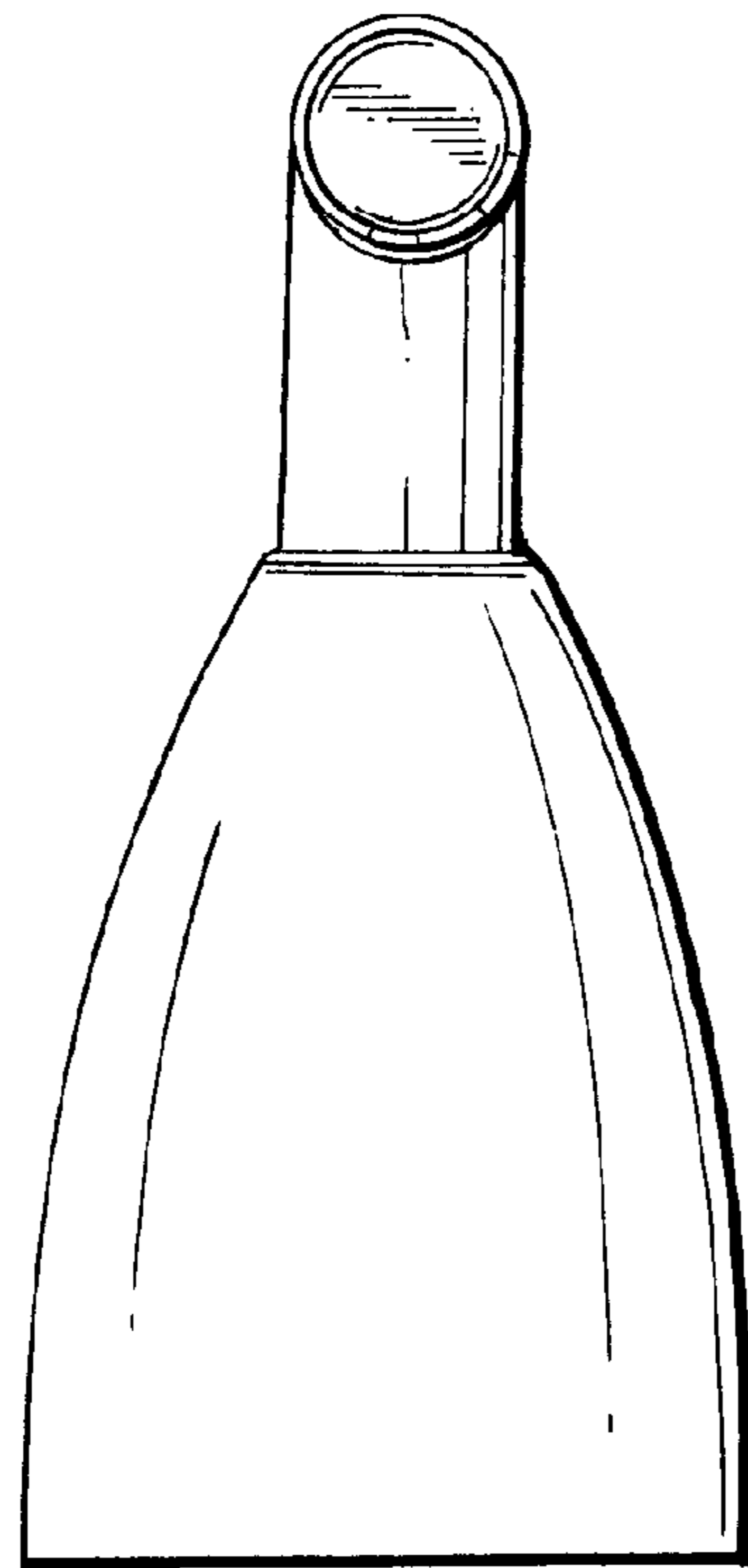


FIG. 2

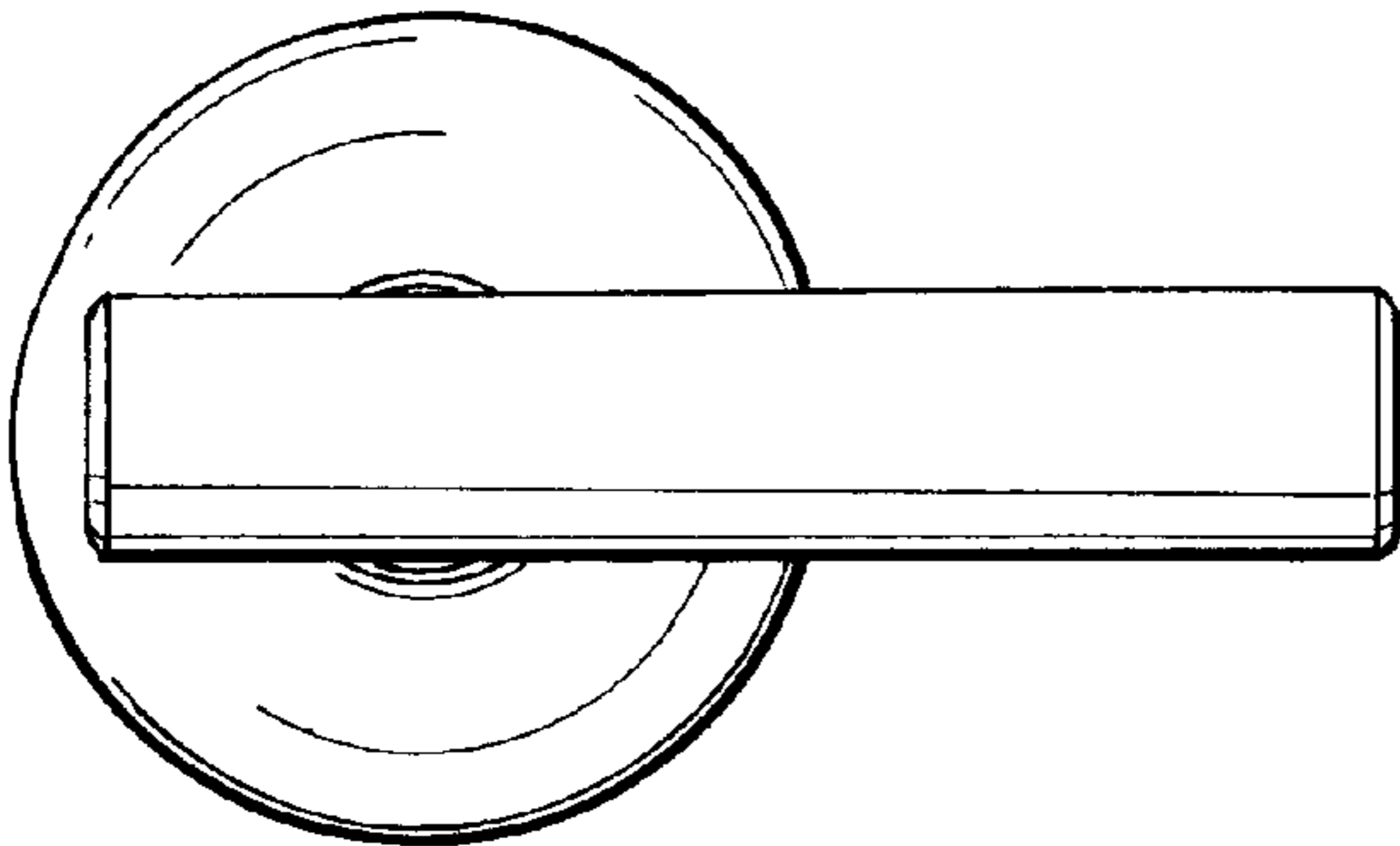


FIG. 3

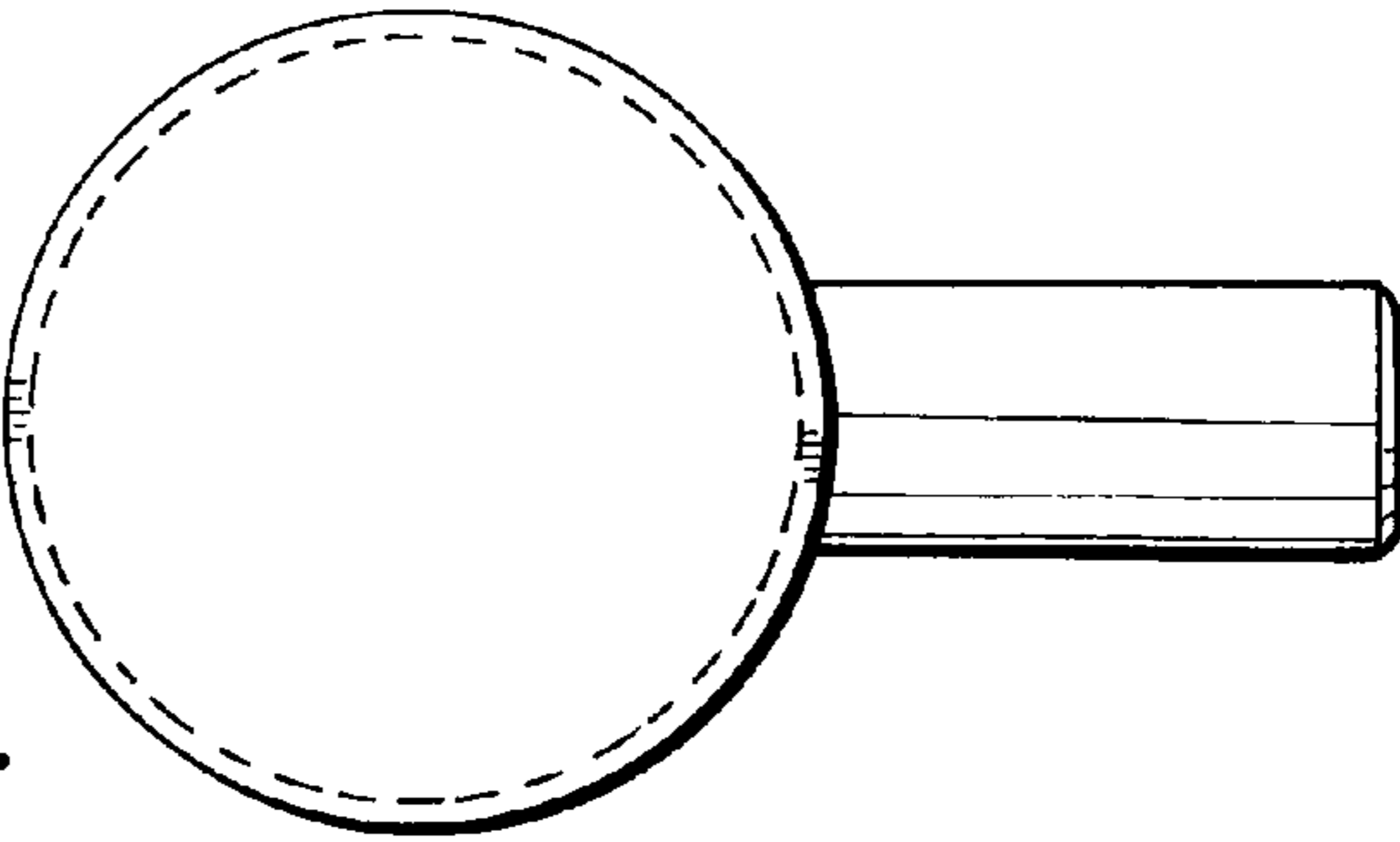


FIG. 4

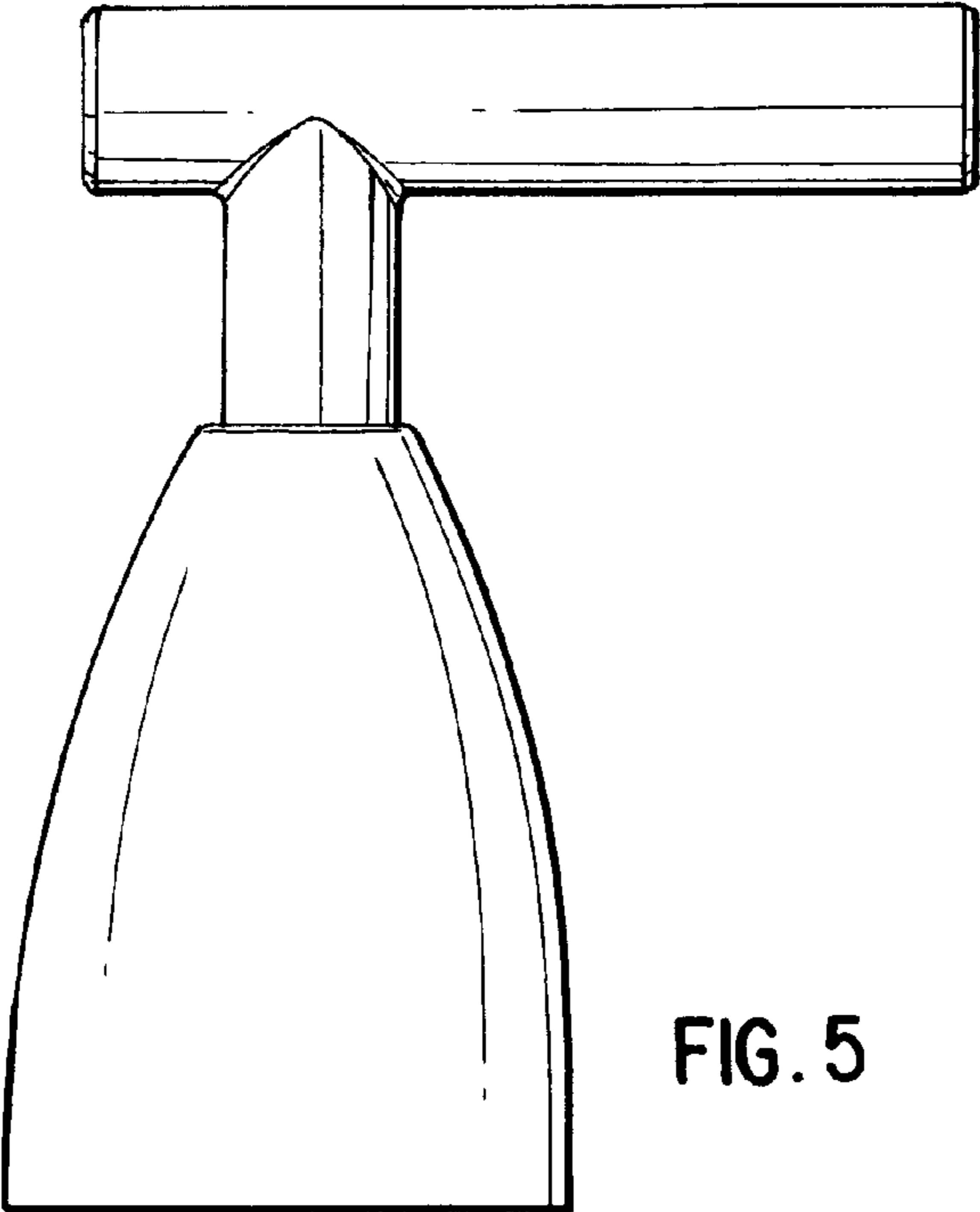


FIG. 5