



US00D513790S

(12) **United States Design Patent**
Gilbert

(10) **Patent No.:** **US D513,790 S**

(45) **Date of Patent:** **** Jan. 24, 2006**

(54) **HANDLE**

(75) **Inventor:** **Christopher Jon Gilbert**, Moreland Hills, OH (US)

(73) **Assignee:** **Moen Incorporated**, North Olmsted, OH (US)

(**) **Term:** **14 Years**

(21) **Appl. No.:** **29/209,704**

(22) **Filed:** **Jul. 20, 2004**

(51) **LOC (8) Cl.** **23-01**

(52) **U.S. Cl.** **D23/252**

(58) **Field of Classification Search** D23/238–243,
D23/245, 250–257; D8/300–322, 350–353,
D8/DIG. 3; 16/110.1; 4/675–678; 137/801
See application file for complete search history.

(56) **References Cited**

U.S. PATENT DOCUMENTS

D289,676 S	*	5/1987	Evans et al.	D23/252
D354,549 S		1/1995	Jans		
D362,899 S		10/1995	Jans		
D364,216 S		11/1995	Hill et al.		
D372,300 S		7/1996	Fabian		
D385,769 S	*	11/1997	Jans	D8/308
D385,953 S		11/1997	Hundley et al.		
5,797,422 A		8/1998	Tokarz		
D398,962 S		9/1998	Hundley et al.		
D403,746 S	*	1/1999	Lord	D23/238
D405,160 S		2/1999	Lord		
D406,318 S		3/1999	Lord		
D418,905 S		1/2000	Meda		
D423,085 S		4/2000	Meda		
D426,872 S		6/2000	Mildrud et al.		
D427,290 S		6/2000	Mildrud et al.		

D429,798 S		8/2000	Mildrud et al.		
D434,116 S		11/2000	Meda		
D434,121 S		11/2000	Donath, Jr. et al.		
D461,535 S		8/2002	Antoniello et al.		
D465,015 S		10/2002	Hoernig		
D465,557 S		11/2002	Antoniello et al.		
D465,558 S		11/2002	Ouyoung		
D466,982 S		12/2002	Gerlach		
D470,923 S		2/2003	Marshall		
D472,307 S		3/2003	Blomstrom		
D476,397 S	*	6/2003	Ouyoung	D23/238
D476,721 S		7/2003	Ouyoung		
D484,220 S		12/2003	Graves et al.		
D486,557 S		2/2004	Graves et al.		

* cited by examiner

Primary Examiner—Louis S. Zarfaz
Assistant Examiner—Gregory Andoll
(74) *Attorney, Agent, or Firm*—Calfee, Halter & Griswold LLP

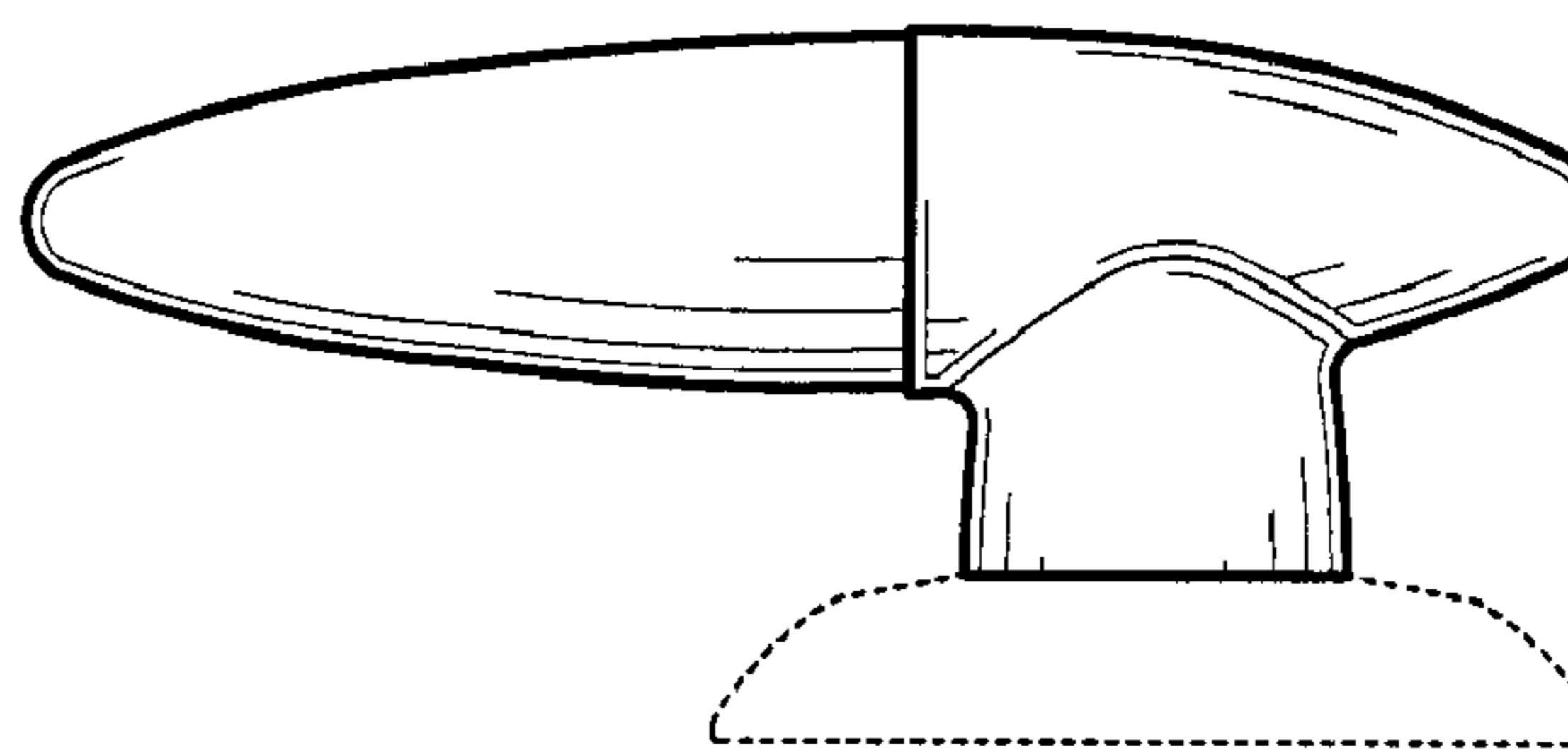
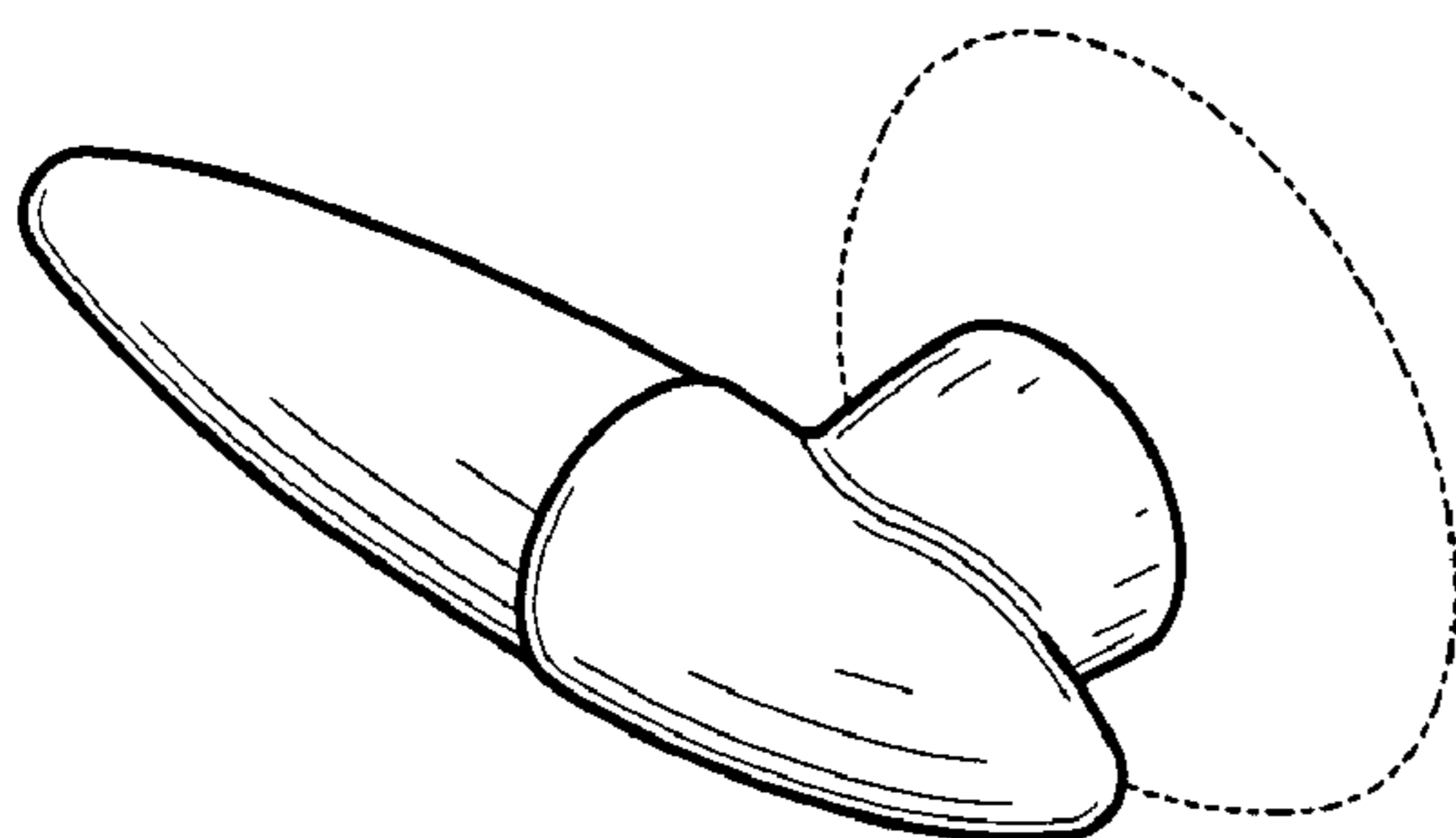
(57) **CLAIM**

The ornamental design for a handle, as shown and described.

DESCRIPTION

FIG. 1 is a perspective view of a handle of the new design; FIG. 2 is a left side elevational view of the handle of FIG. 1; FIG. 3 is a front elevational view of the handle of FIG. 1; FIG. 4 is a right side elevational view of the handle of FIG. 1; FIG. 5 is a bottom plan view of the handle of FIG. 1, the bottom view being a mirror image; and, FIG. 6 is a rear elevational view of the handle of FIG. 1. The portions of the Figures shown in phantom lines are not part of the claimed design and are for illustration only.

1 Claim, 1 Drawing Sheet



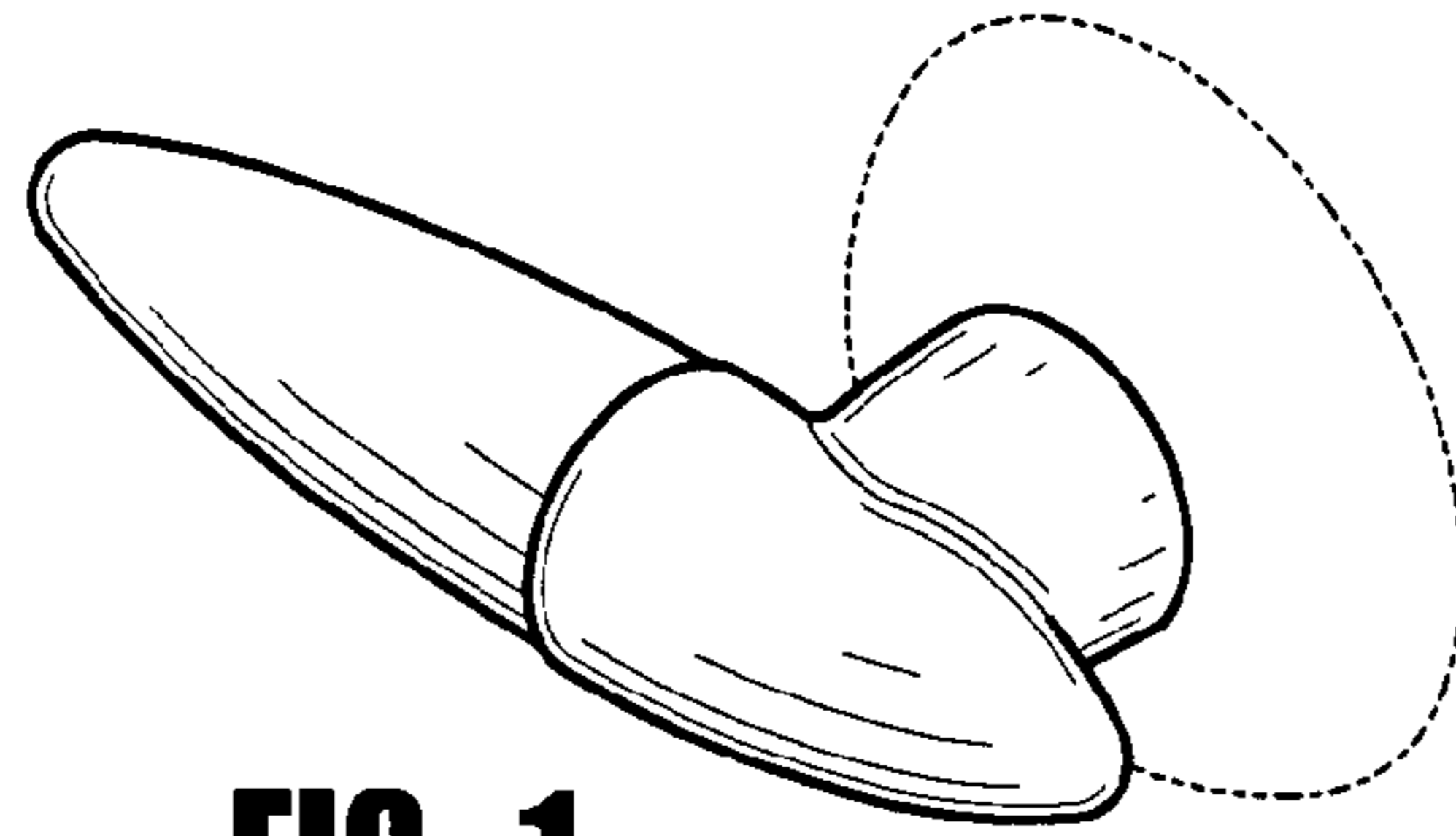


FIG. 1

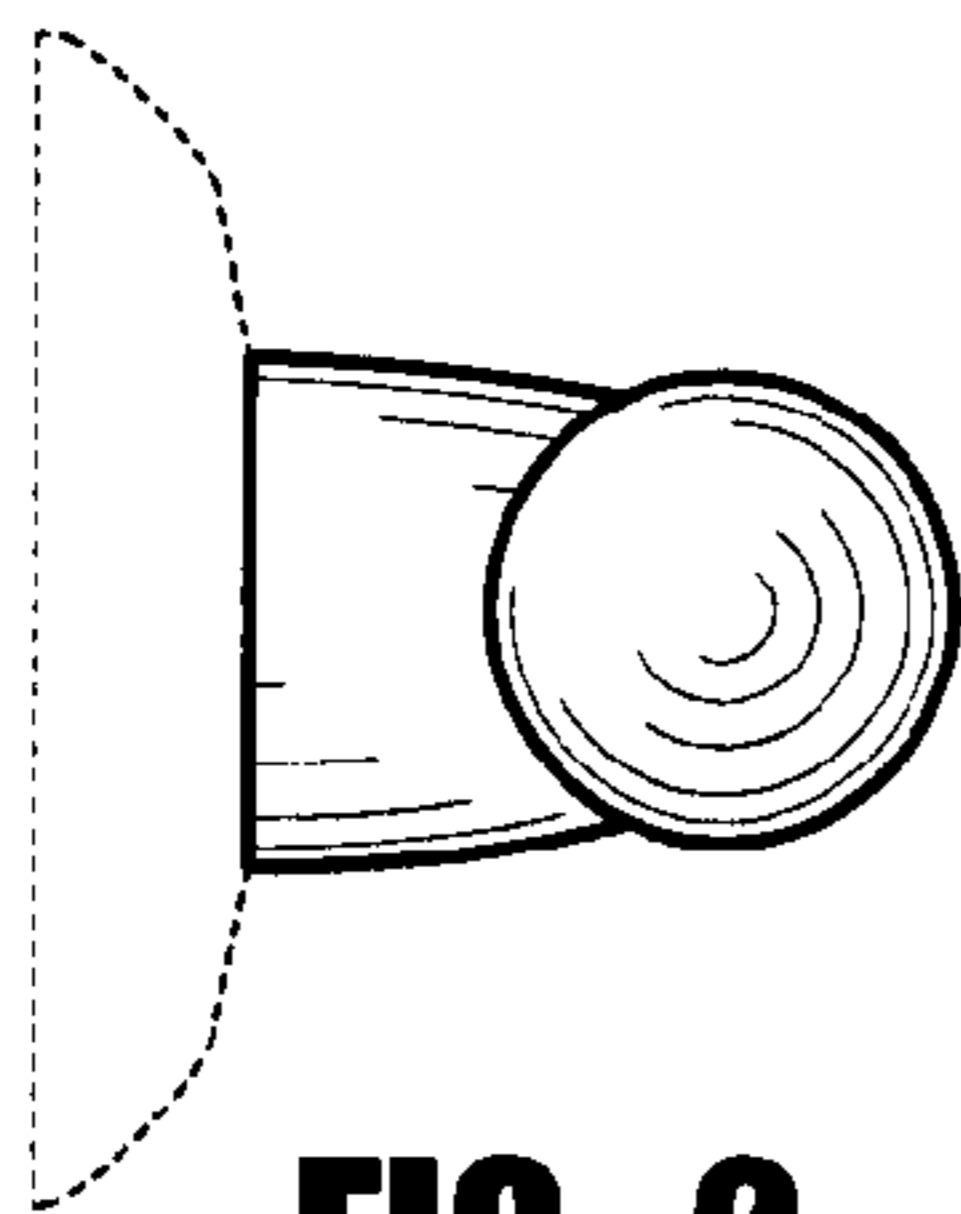


FIG. 2

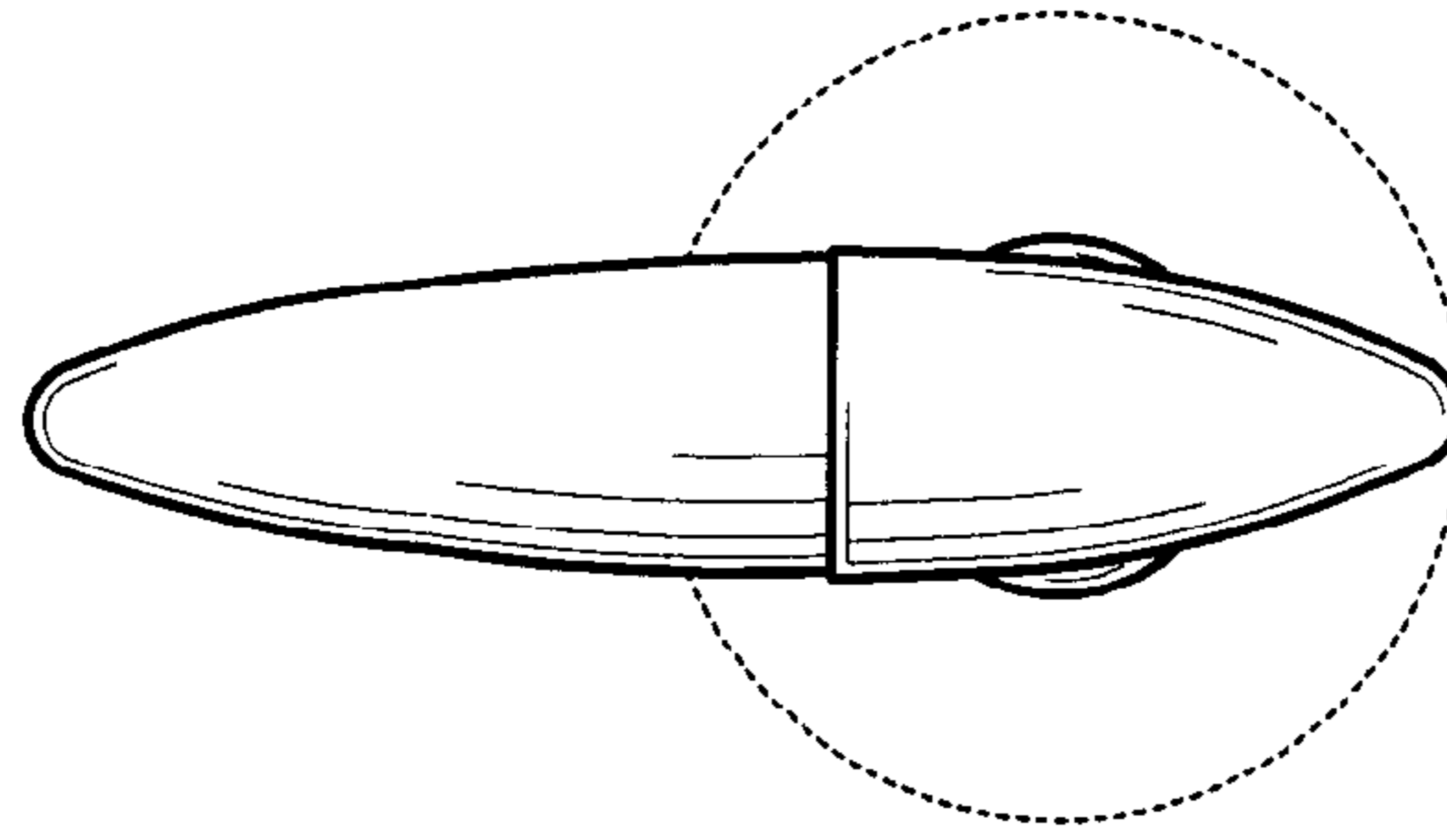


FIG. 3

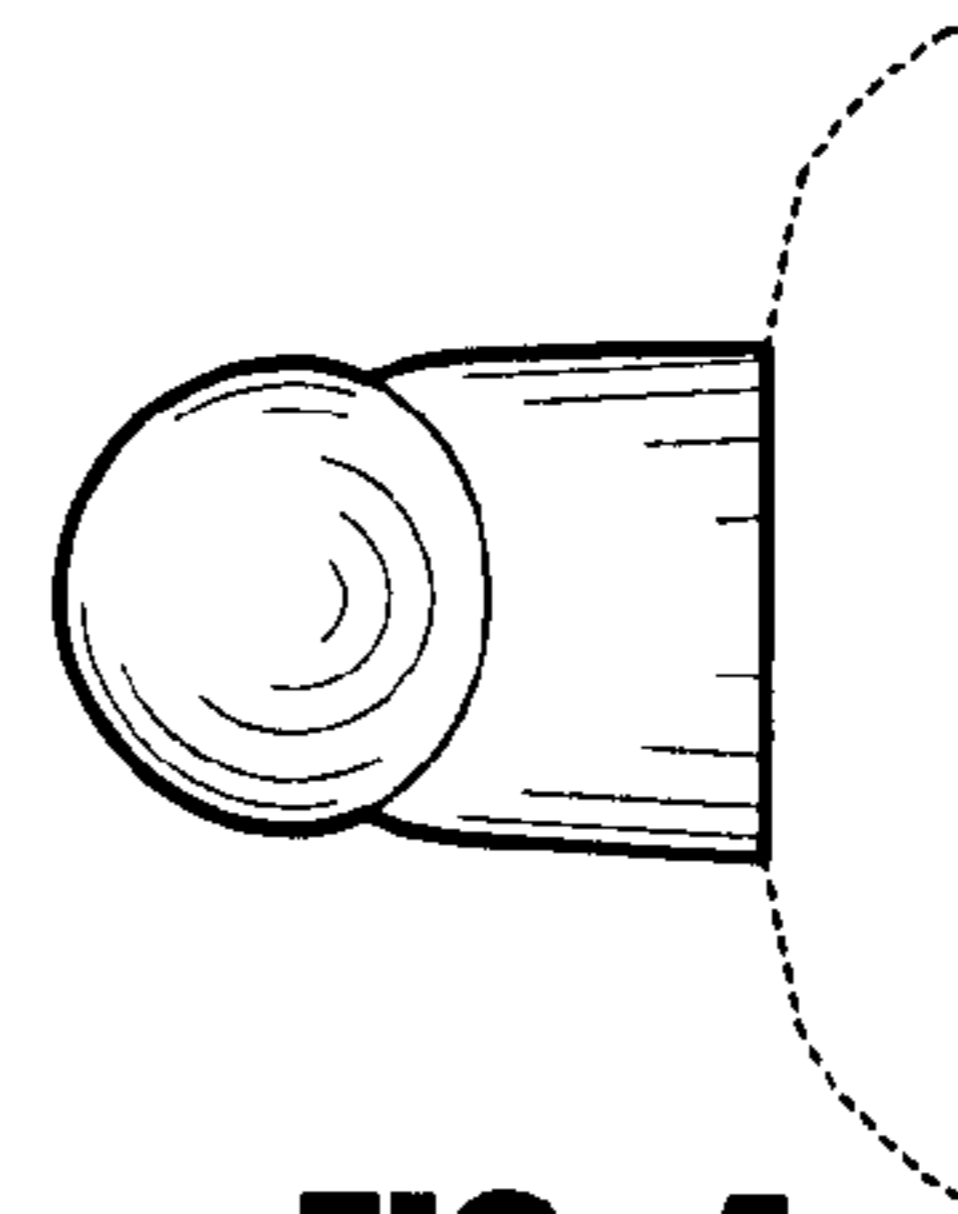


FIG. 4

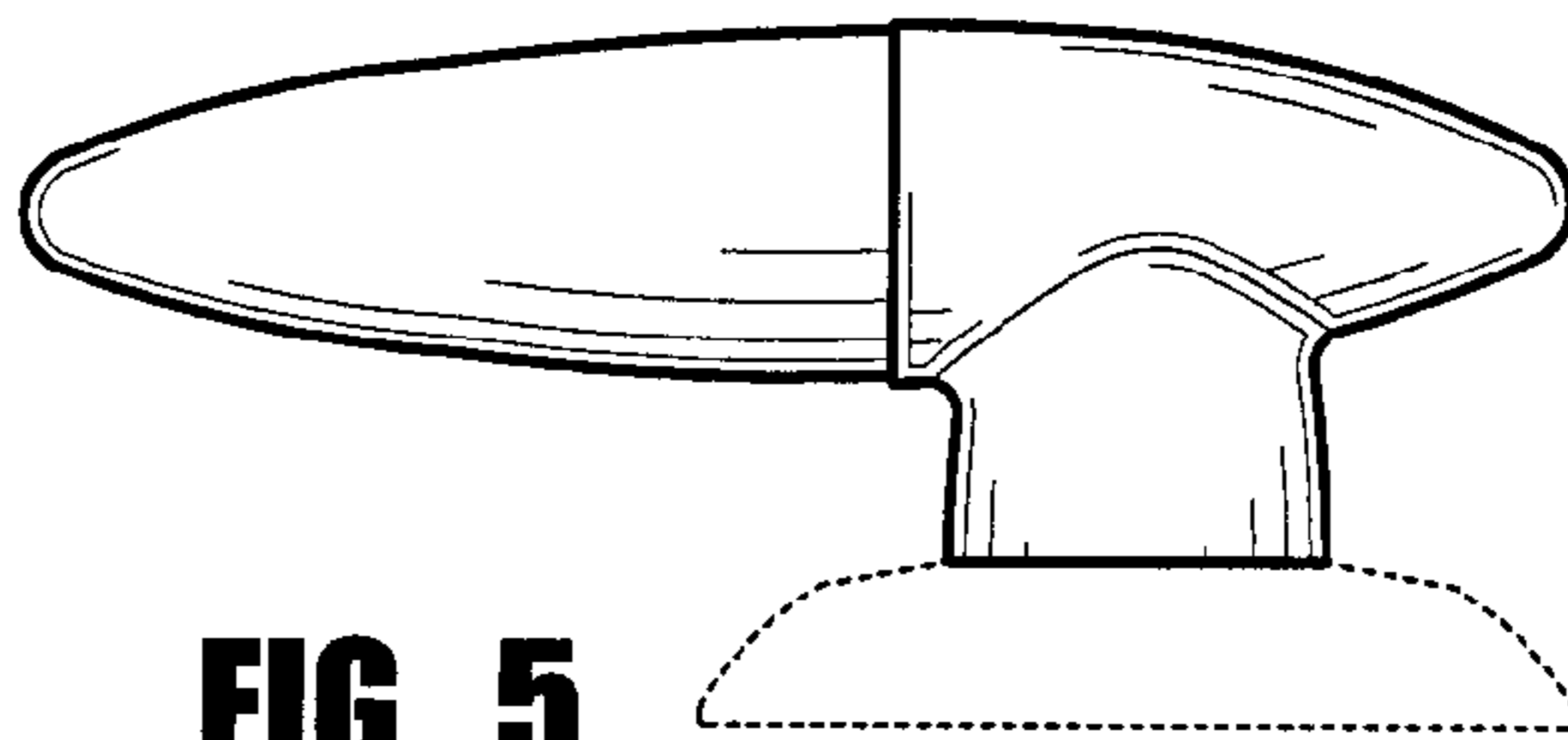


FIG. 5

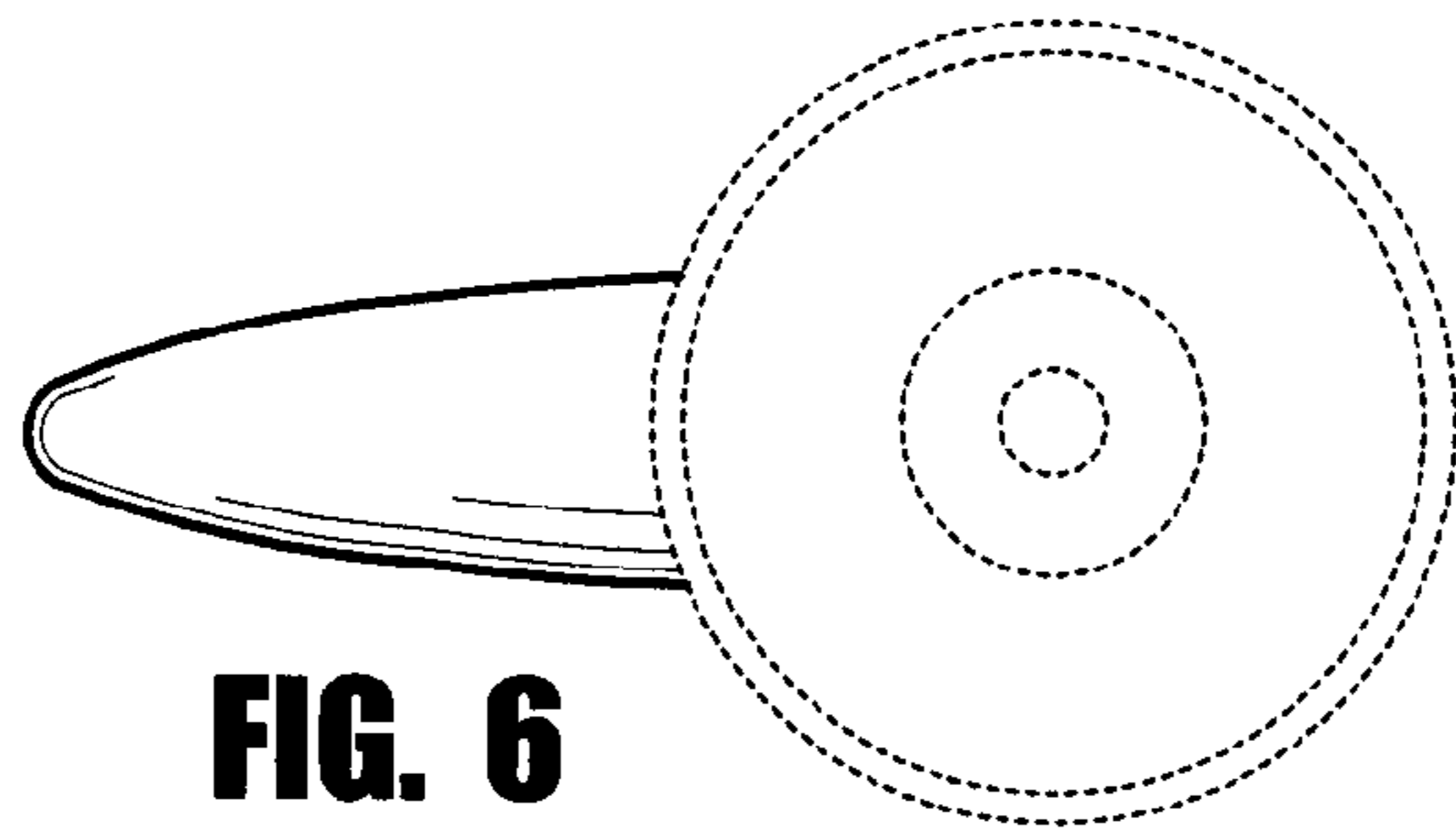


FIG. 6