



US00D513789S

(12) **United States Design Patent**
Kosasih

(10) **Patent No.:** **US D513,789 S**
(45) **Date of Patent:** **** Jan. 24, 2006**

- (54) **FAUCET**
- (75) Inventor: **Angie L. Kosasih**, Rancho Santa Margarita, CA (US)
- (73) Assignee: **NEWFREY LLC**, Newmark, DE (US)
- (**) Term: **14 Years**
- (21) Appl. No.: **29/212,923**
- (22) Filed: **Sep. 9, 2004**
- (51) **LOC (8) Cl.** **23-01**
- (52) **U.S. Cl.** **D23/241; D23/242**
- (58) **Field of Classification Search** **D23/238-257; 4/675-678; 137/801**
See application file for complete search history.

- D430,650 S 9/2000 Graves
- D430,920 S 9/2000 Lord
- D431,281 S 9/2000 Lord
- D431,630 S 10/2000 Lord
- D432,631 S 10/2000 Lord
- D434,472 S 11/2000 Lord
- D439,953 S 4/2001 Lord
- D440,282 S 4/2001 Lord
- D443,031 S 5/2001 Strader et al.
- D445,877 S 7/2001 Paredes
- D447,541 S 9/2001 Dretzka
- D448,453 S 9/2001 Lord
- D459,789 S 7/2002 Green et al.
- D460,523 S 7/2002 Green et al.
- D460,525 S 7/2002 Green et al.
- D463,010 S 9/2002 Ouyoung
- D463,533 S 9/2002 Ko
- D464,115 S 10/2002 Lord
- D464,116 S 10/2002 Piano
- D465,557 S 11/2002 Antonello et al.
- D465,558 S 11/2002 Ouyoung
- D465,831 S 11/2002 Otero et al.

(56) **References Cited**

U.S. PATENT DOCUMENTS

- D265,229 S 6/1982 Paul
- D276,259 S 11/1984 Miller
- D280,009 S 8/1985 Miller et al.
- D285,591 S 9/1986 Miller et al.
- D288,835 S 3/1987 Yost
- D288,836 S 3/1987 Yost
- D293,362 S 12/1987 Hill et al.
- D321,750 S 11/1991 Spangler
- D328,782 S 8/1992 Paterson et al.
- D329,083 S 9/1992 Dannenberg
- D331,275 S 11/1992 Knapp
- D368,302 S 3/1996 Doughty et al.
- D373,179 S 8/1996 Sieger
- D377,516 S 1/1997 Doughty et al.
- D381,400 S 7/1997 Doughty et al.
- D384,130 S 9/1997 Doughty et al.
- D384,131 S 9/1997 Doughty et al.
- D384,132 S 9/1997 Doughty et al.
- D384,394 S 9/1997 Doughty et al.
- D385,016 S 10/1997 Doughty et al.
- D393,692 S 4/1998 Ko
- D406,876 S 3/1999 Ko
- D412,025 S 7/1999 Mark et al.
- D430,271 S 8/2000 Lord
- D430,648 S 9/2000 Lord

(Continued)

Primary Examiner—Louis S. Zarfaz
Assistant Examiner—Gregory Andoll
(74) *Attorney, Agent, or Firm*—Richard J. Veltman; John D. DelPonti

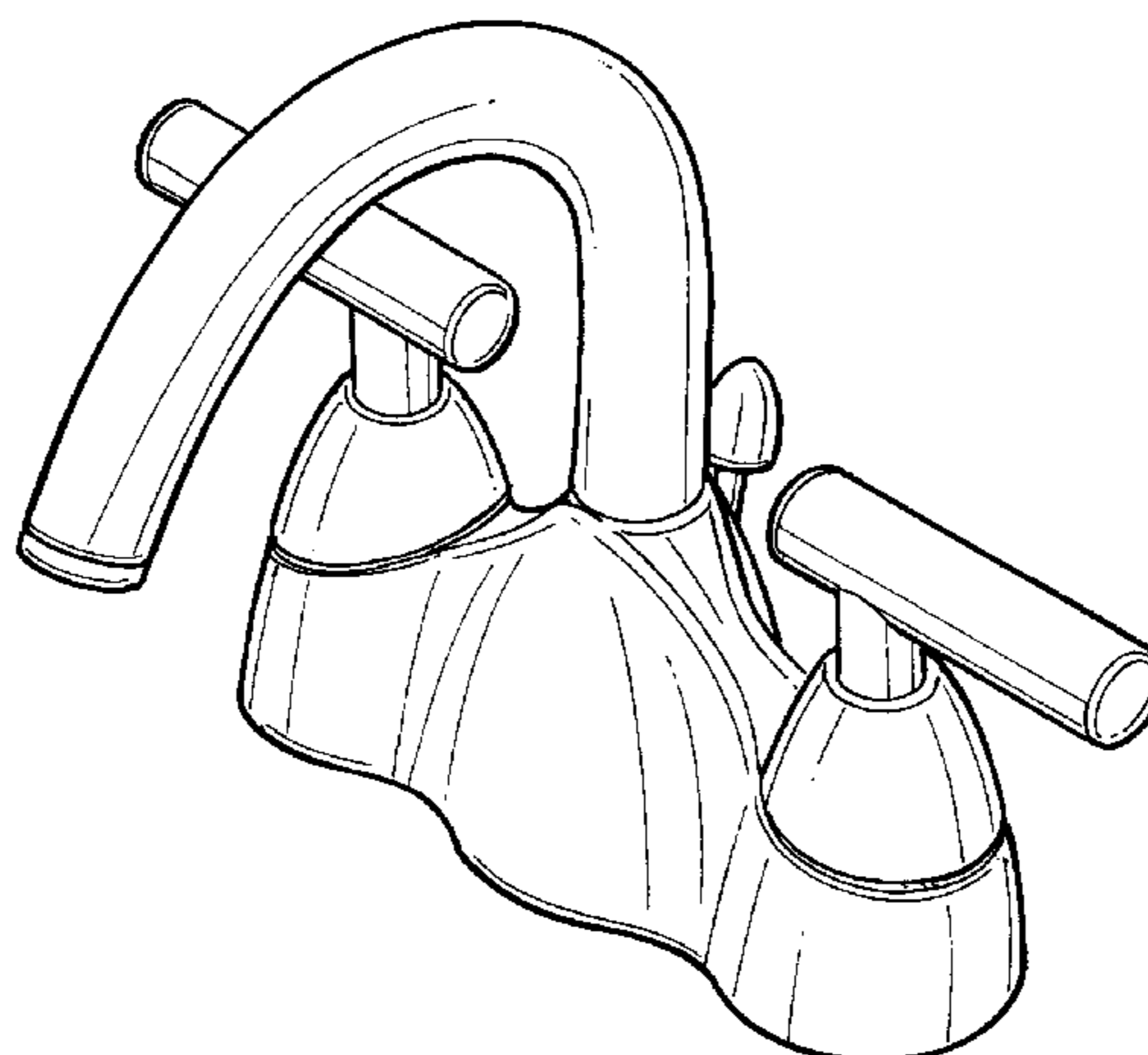
(57) **CLAIM**

The ornamental design for a faucet, as shown and described.

DESCRIPTION

FIG. 1 is a perspective view of the new design for a faucet; FIG. 2 is a front elevational view of the new design for a faucet; FIG. 3 is a right side elevational view of the new design for a faucet, the left side elevational view being a mirror image; FIG. 4 is a top plan view of the new design for a faucet; and, FIG. 5 is a back elevational view of the new design for a faucet. The broken lines in the Figures are for illustrative purposes only and form no part of the claimed design.

1 Claim, 3 Drawing Sheets



US D513,789 S

Page 2

U.S. PATENT DOCUMENTS

D466,192 S	11/2002	Otero et al.	D469,513 S	1/2003	Marshall
D466,193 S	11/2002	Otero et al.	D469,852 S	2/2003	Marshall
D466,194 S	11/2002	Otero et al.	D470,916 S	2/2003	Friedrich
D467,646 S	12/2002	Panis et al.	D471,256 S	3/2003	Friedrich
D467,999 S	12/2002	Panis et al.	D472,609 S	4/2003	Marshall
D468,401 S	1/2003	Bates et al.	D472,610 S	4/2003	Marshall
D468,403 S	1/2003	Panis et al.	D475,125 S	5/2003	Marinov
D469,160 S	1/2003	Marshall	D475,764 S	6/2003	Singtoroj
D469,161 S	1/2003	Marshall	D478,153 S	8/2003	Friedrich
D469,505 S	1/2003	Marshall	D479,870 S	9/2003	Hung
D469,506 S	1/2003	Marshall	D485,331 S	1/2004	Lin
D469,508 S	1/2003	Marshall	D486,557 S	2/2004	Graves et al.
D469,509 S	1/2003	Marshall	D487,920 S	3/2004	Lin
D469,510 S	1/2003	Marshall	D487,921 S	3/2004	Spiegelberg et al.
D469,511 S	1/2003	Marshall	D488,538 S	4/2004	Graves et al.
D469,512 S	1/2003	Marshall	D492,392 S	6/2004	Pohl et al.
			D499,507 S	12/2004	Jean et al.

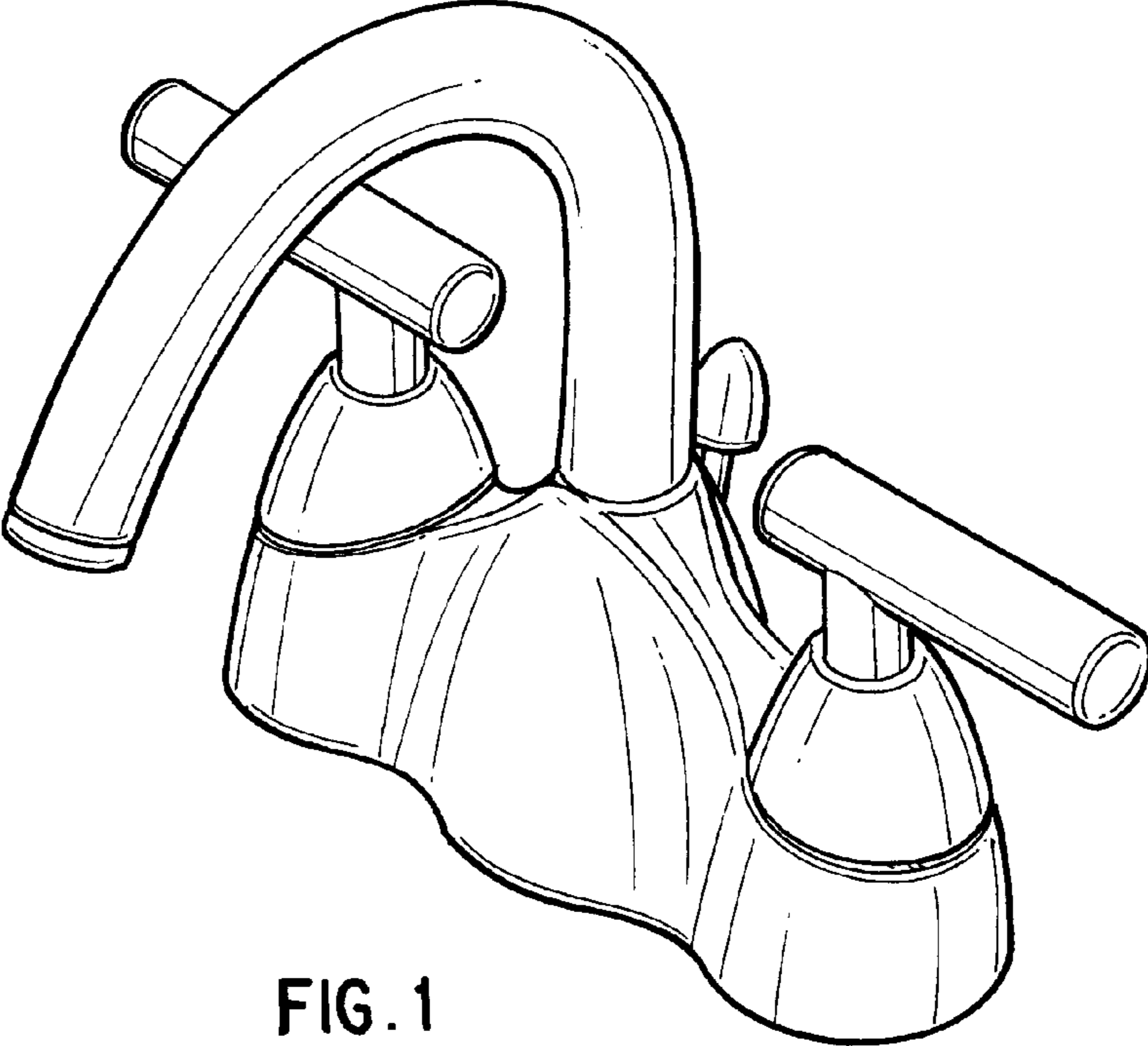


FIG. 1

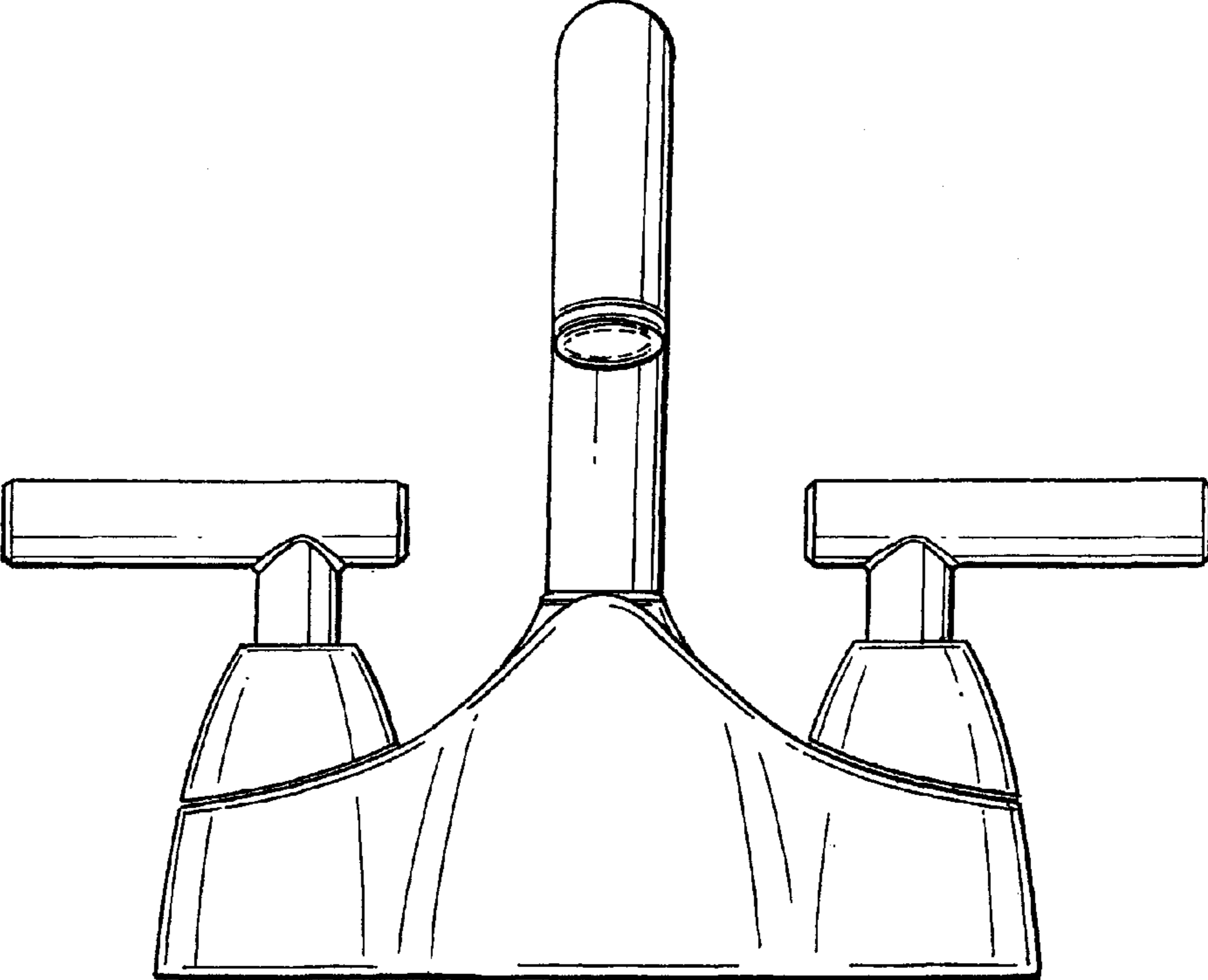


FIG. 2

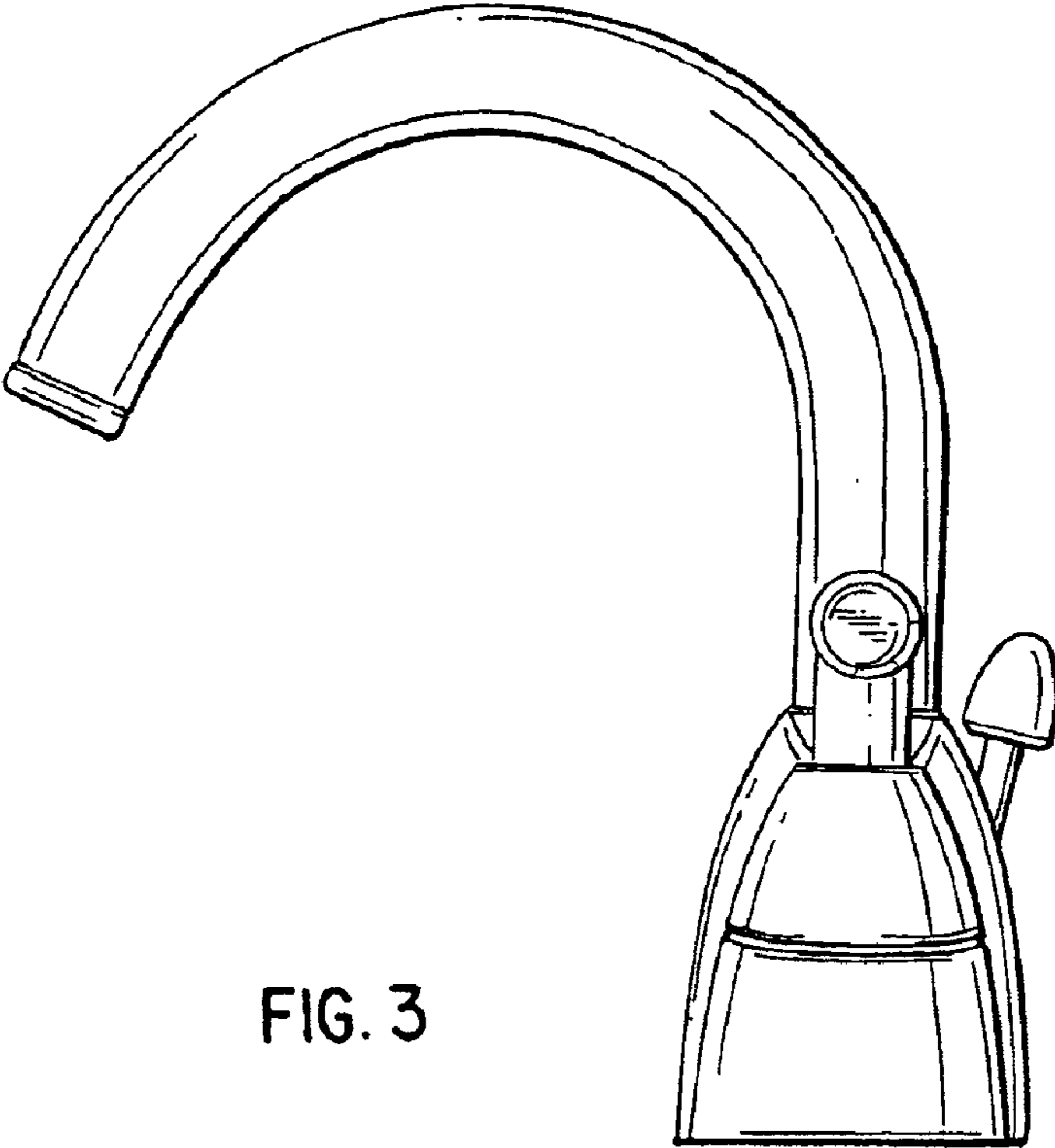


FIG. 3

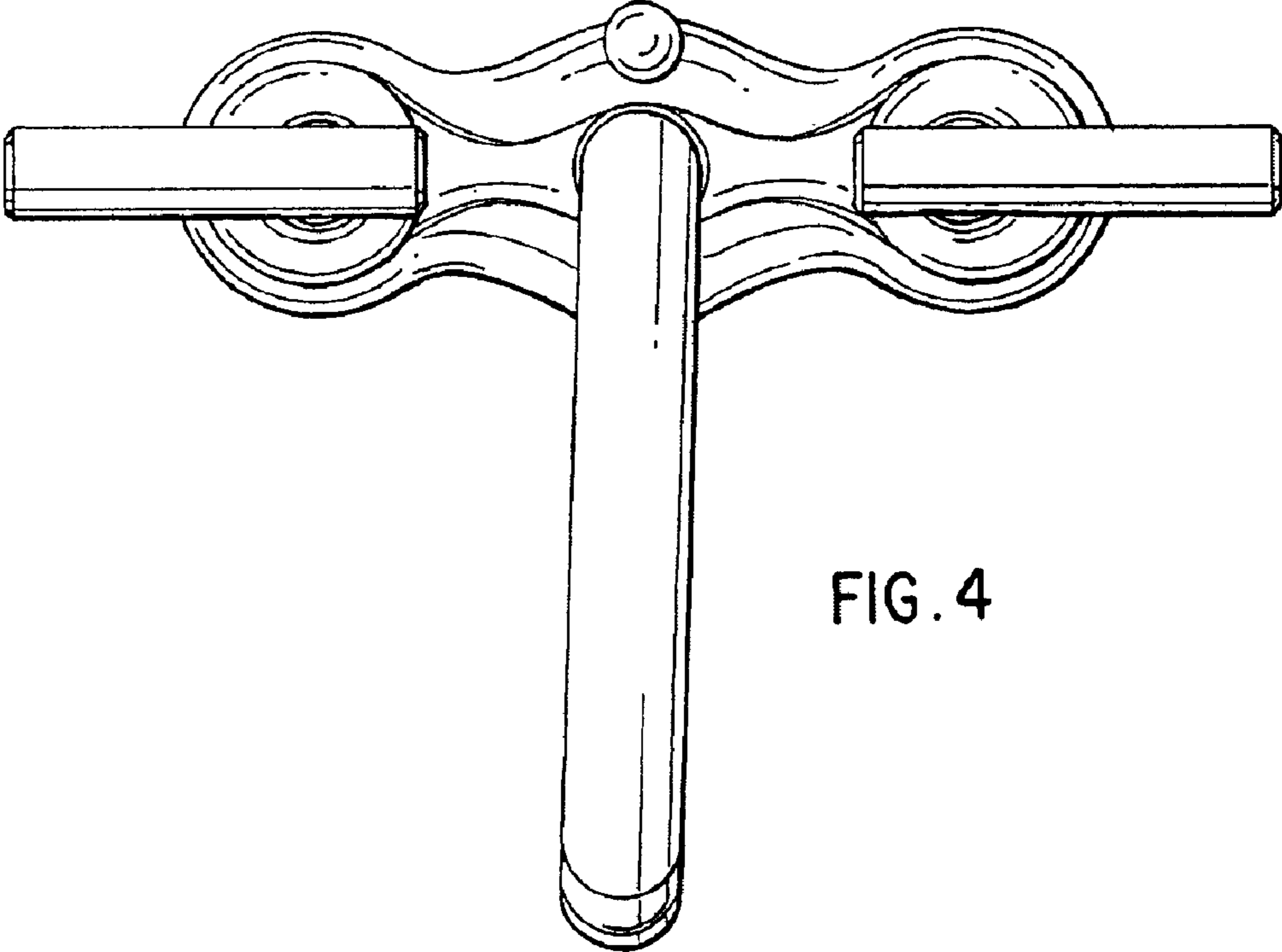


FIG. 4

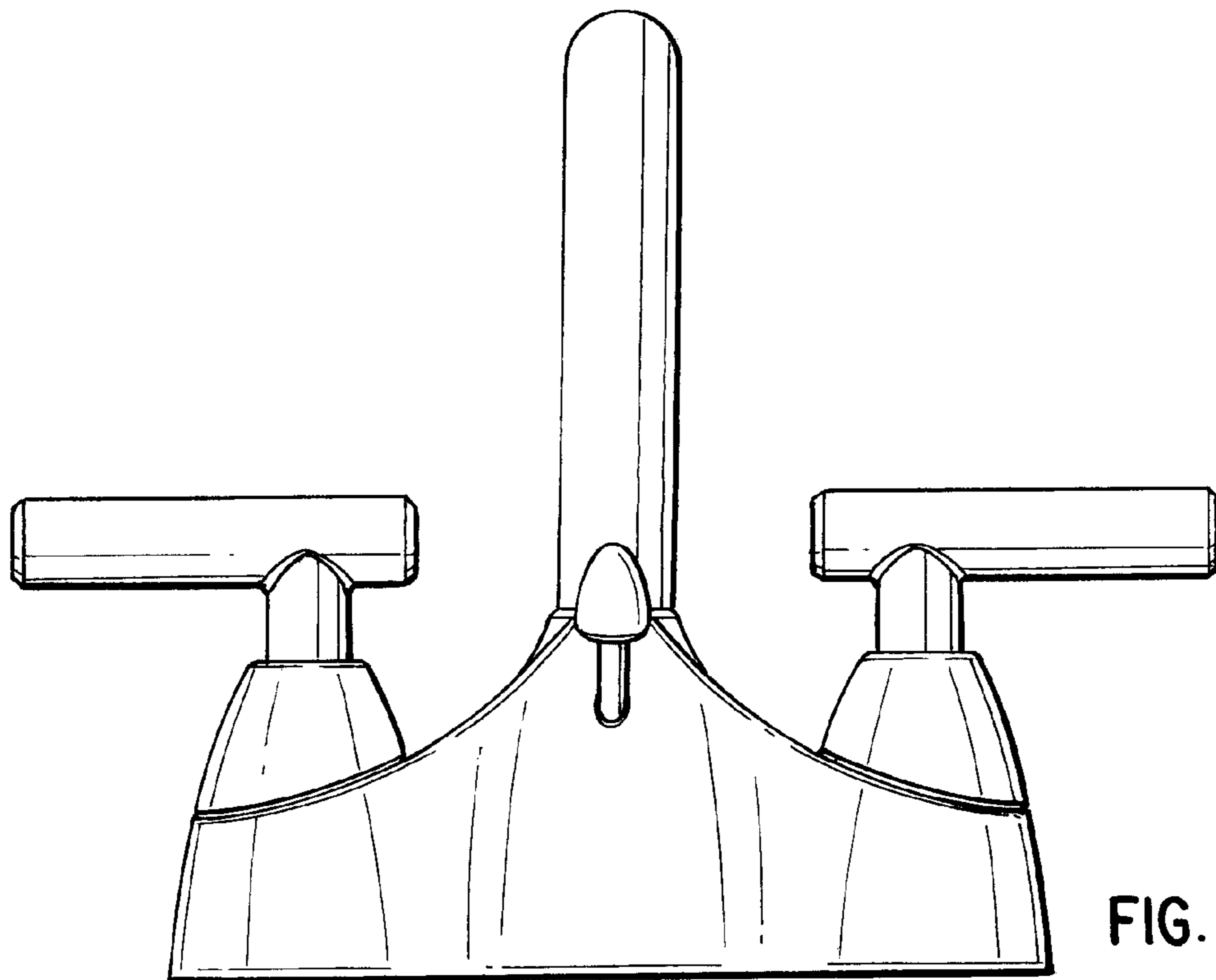


FIG. 5