



US00D513787S

(12) **United States Design Patent**
Tickle et al.

(10) **Patent No.:** **US D513,787 S**
(45) **Date of Patent:** **** Jan. 24, 2006**

(54) **FLOAT VALVE**

(76) Inventors: **Karl Thomas Tickle**, 2 Bracken Manor, Kalkoentjie Street, Brackenhurst, Alberton (ZA); **Christiaan van Zyl**, 575 Lois Avenue, Erasmuskloof, Pretoria (ZA); **John Nicoll Sutherland**, Unit 16 Eurus Mews, 64 Terrace Road, Edenvale (ZA)

(**) **Term:** **14 Years**

(21) **Appl. No.:** **29/201,345**

(22) **Filed:** **Mar. 15, 2004**

(30) **Foreign Application Priority Data**

Sep. 16, 2003 (ZA) F2003/01138

(51) **LOC (8) Cl.** **23-01**

(52) **U.S. Cl.** **D23/236**

(58) **Field of Classification Search** D23/233,
D23/236, 245; 137/315, 414, 429, 432, 269-271;
251/290

See application file for complete search history.

(56) **References Cited**

U.S. PATENT DOCUMENTS

3,285,277 A * 11/1966 Goldtrap 137/414

D214,050 S * 5/1969 Hudson D23/236
3,554,219 A 1/1971 Hudson
D244,693 S * 6/1977 Schoepe D23/258
4,945,944 A 8/1990 Chen
D451,983 S * 12/2001 Higgins D23/236
6,354,326 B1 * 3/2002 Le et al. 137/436

FOREIGN PATENT DOCUMENTS

DE 1026589 3/1958
DE 2241763 3/1974
FR 2724958 3/1996
SE 417739 4/1981
WO 0068604 11/2000

* cited by examiner

Primary Examiner—Caron D. Veynar
Assistant Examiner—Maurice Stevens

(74) *Attorney, Agent, or Firm*—Dowell & Dowell, P.C.

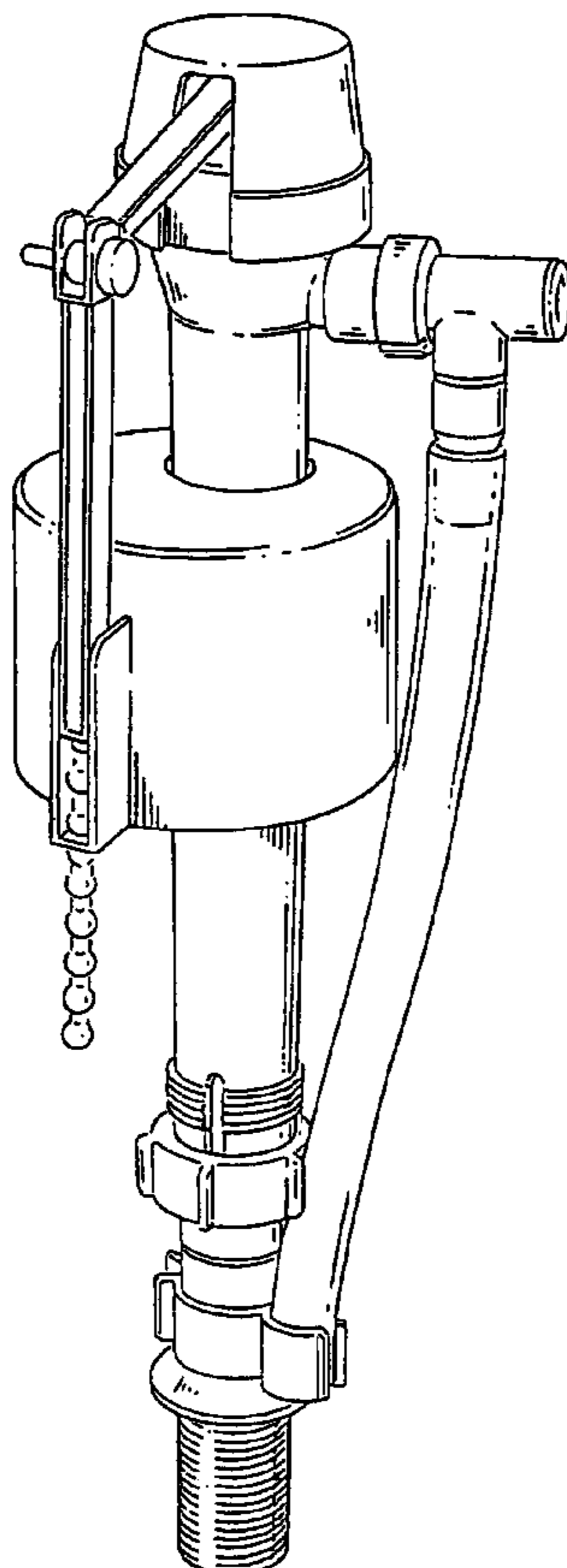
(57) **CLAIM**

The ornamental design for a float valve, as shown and described.

DESCRIPTION

FIG. 1 is a front perspective view of a float valve showing our new design; and,
FIG. 2 is a rear elevational view thereof.

1 Claim, 2 Drawing Sheets



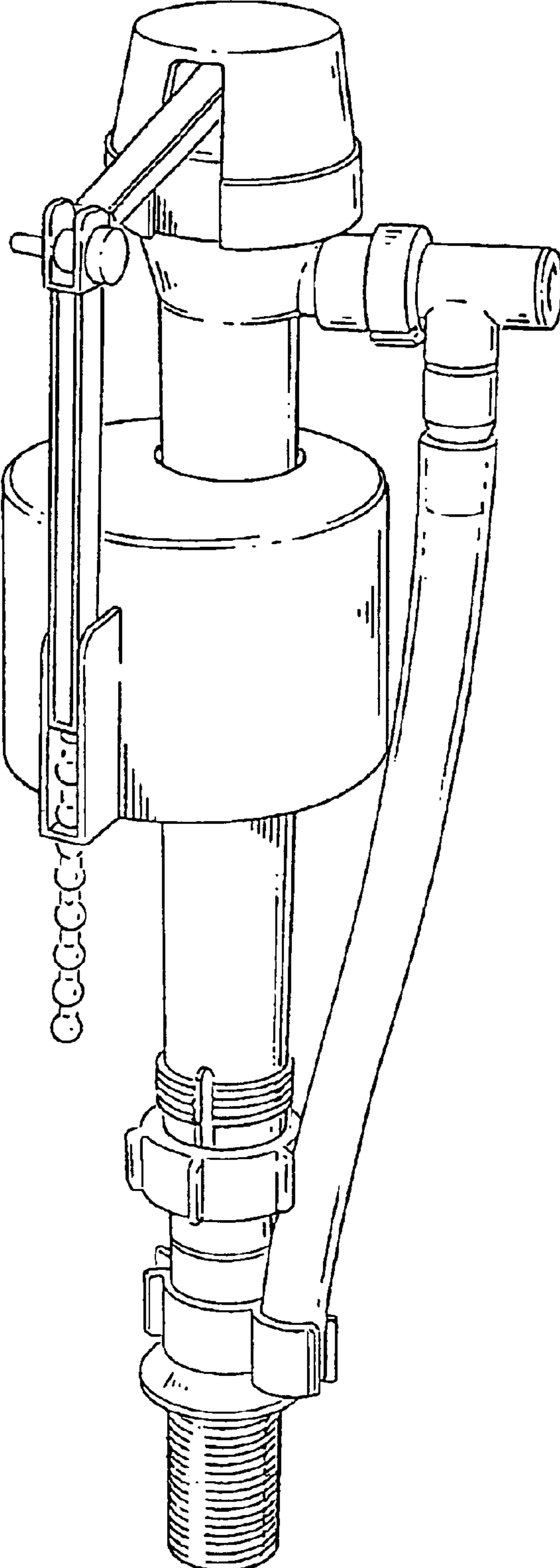


FIG. 1

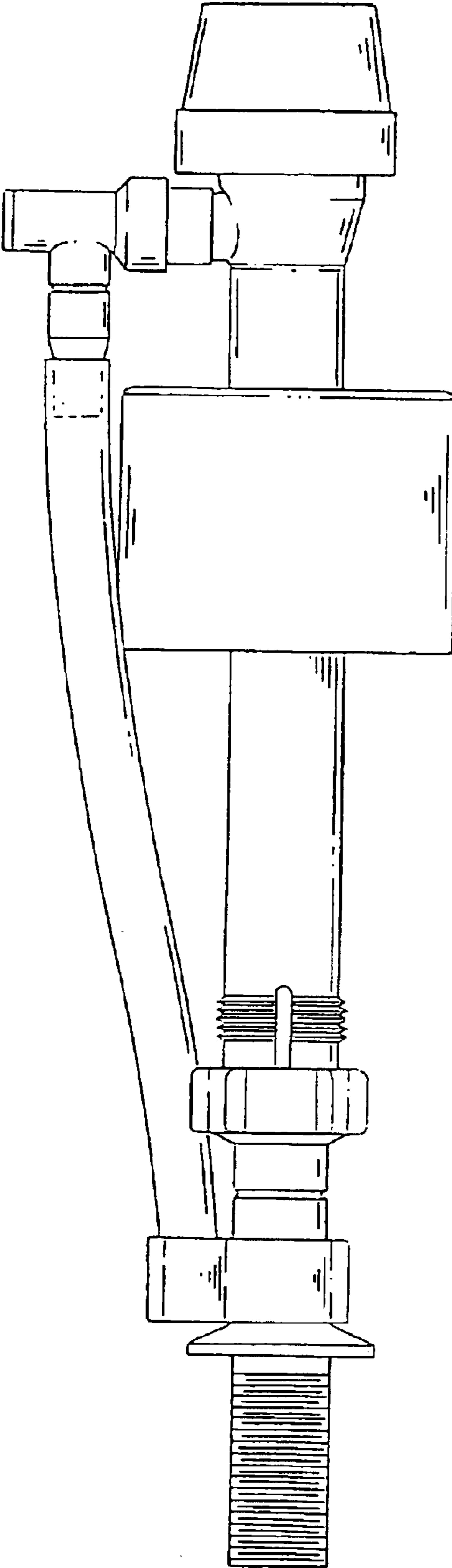


FIG. 2