



US00D513786S

(12) **United States Design Patent**
Montano et al.

(10) **Patent No.:** **US D513,786 S**

(45) **Date of Patent:** **** Jan. 24, 2006**

(54) **HYDRAULIC VALVE BODY**

(76) Inventors: **Mario C. Montano**, 12614 E. Desert Cove, Scottsdale, AZ (US) 85259; **Sean M. Dengler**, 1658 E. Del Rio, Tempe, AZ (US) 85282; **Jason W. Swanson**, 1658 E. Del Rio, Tempe, AZ (US) 85282

(**) Term: **14 Years**

(21) Appl. No.: **29/200,730**

(22) Filed: **Mar. 2, 2004**

(51) **LOC (8) Cl.** **23-01**

(52) **U.S. Cl.** **D23/233**

(58) **Field of Classification Search** D23/233-237, D23/245-249; D15/1-5; 257/29, 149, 248, 257/302, 303, 350, 369, 30.01, 31.01; 137/346, 137/565.19

See application file for complete search history.

(56) **References Cited**

U.S. PATENT DOCUMENTS

- 3,550,507 A * 12/1970 Schott 91/446
- 6,892,757 B2 * 5/2005 Weber 137/517
- 2004/0075071 A1 * 4/2004 Braun et al. 251/129.15
- 2005/0061275 A1 * 3/2005 Spath 123/90.16

* cited by examiner

Primary Examiner—Joel Sincavage

Assistant Examiner—Maurice Stevens

(74) *Attorney, Agent, or Firm*—Gregory J. Nelson

(57) **CLAIM**

We claim the ornamental design for a hydraulic valve body, as shown and described.

DESCRIPTION

FIG. 1 is a perspective view of one side of our design for a hydraulic valve body;

FIG. 2 is a perspective view of the opposite side thereof;

FIG. 3 is a side view of one side;

FIG. 4 is a side view of the other side;

FIG. 5 is a front end view;

FIG. 6 is a rear view thereof;

FIG. 7 is a perspective view of one side of an alternate embodiment of our design for a hydraulic valve body;

FIG. 8 is a perspective view of the opposite side of the embodiment of FIG. 7;

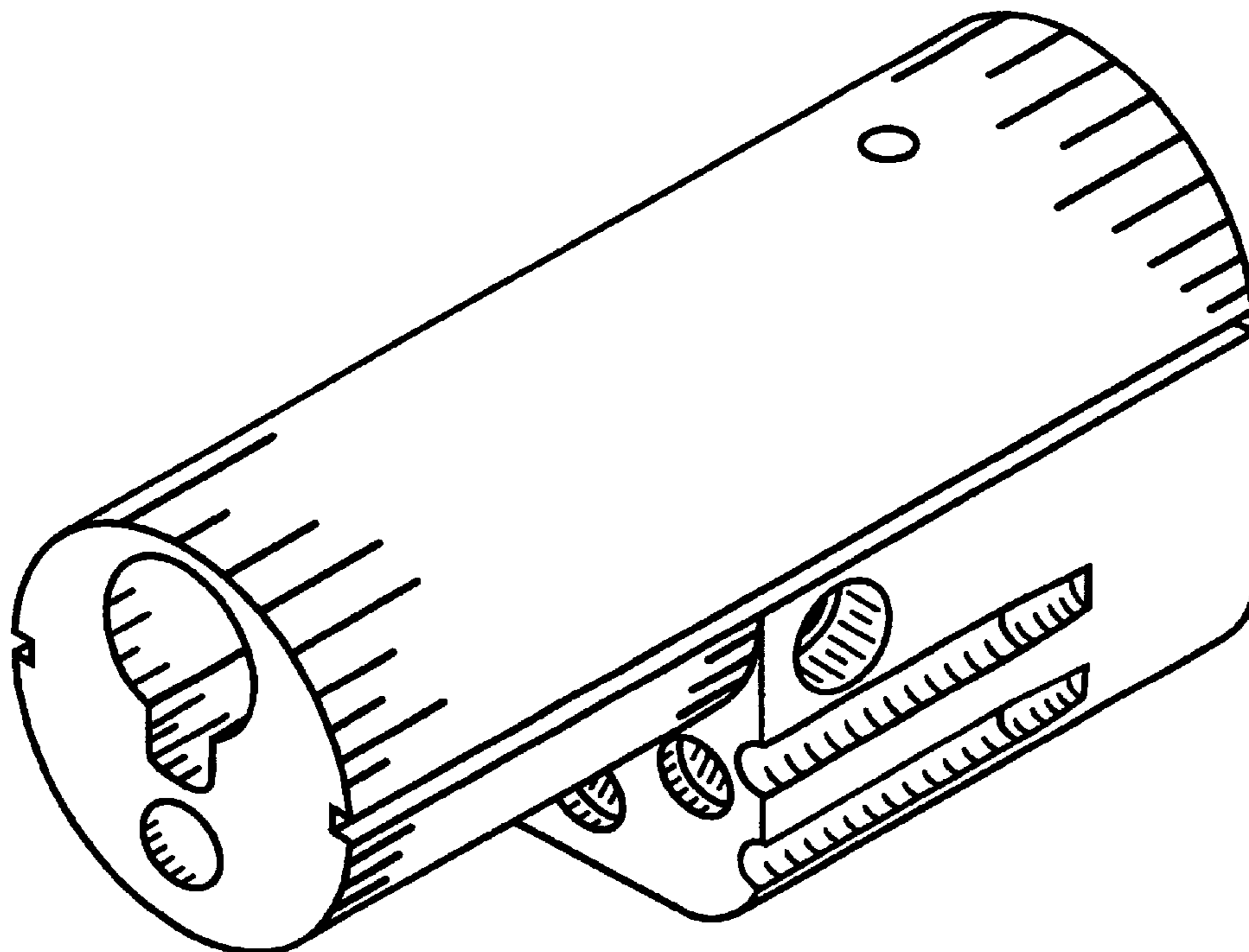
FIG. 9 is a side view of one side of the embodiment of FIG. 7;

FIG. 10 is a side view of the other side of the embodiment of FIG. 7;

FIG. 11 is a front end view of the embodiment of FIG. 7; and,

FIG. 12 is a rear view of the embodiment of FIG. 7.

1 Claim, 12 Drawing Sheets



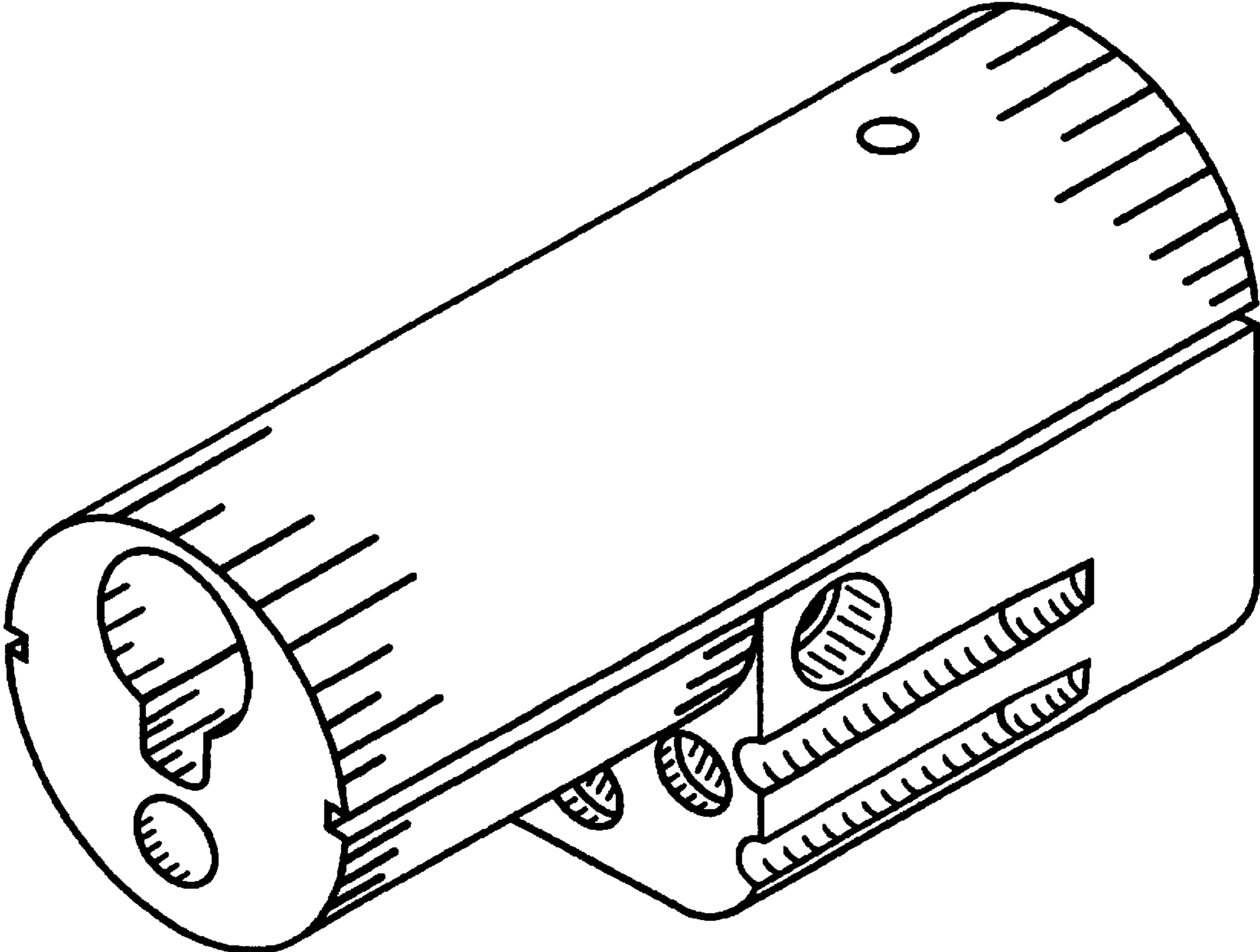


FIGURE 1

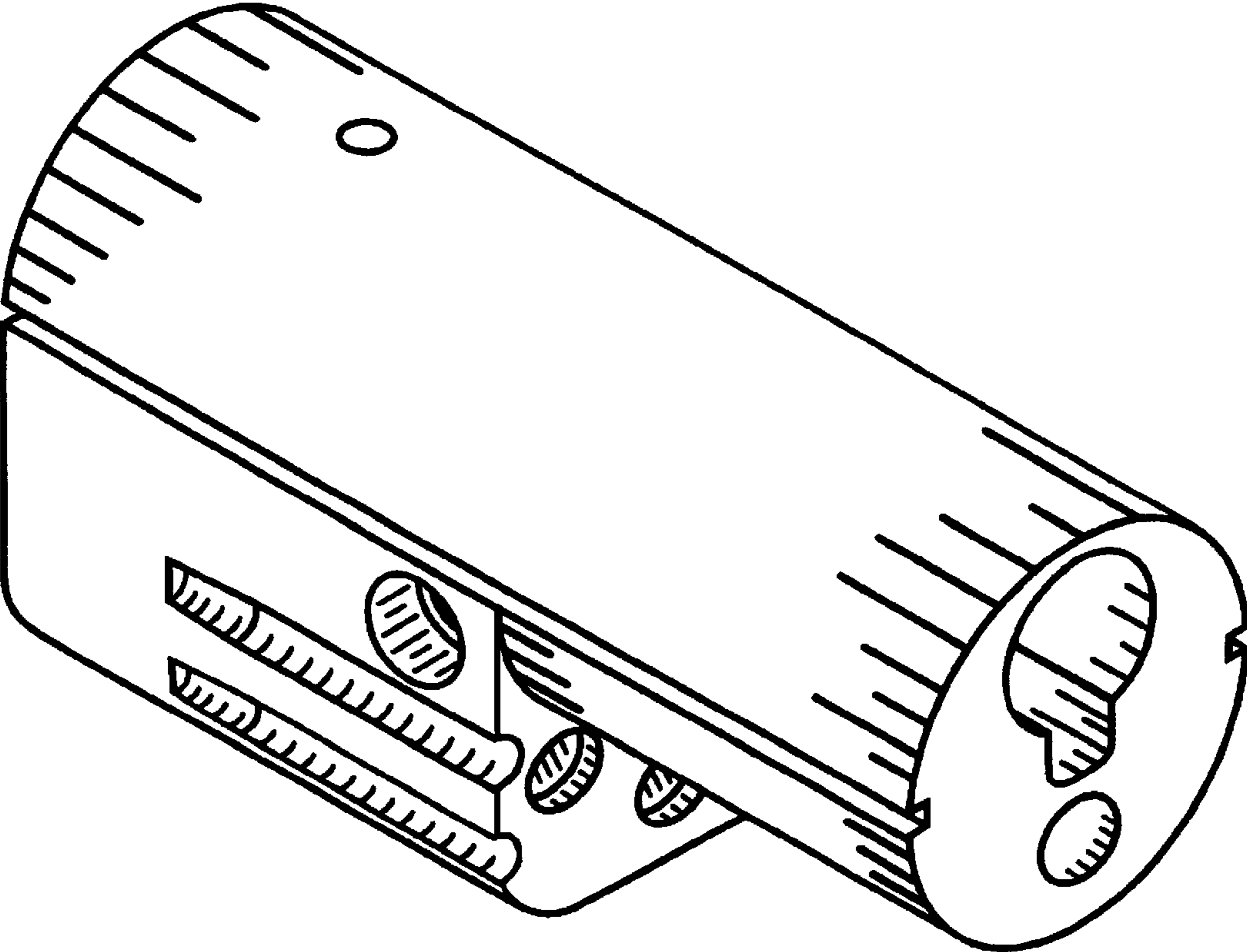


FIGURE 2

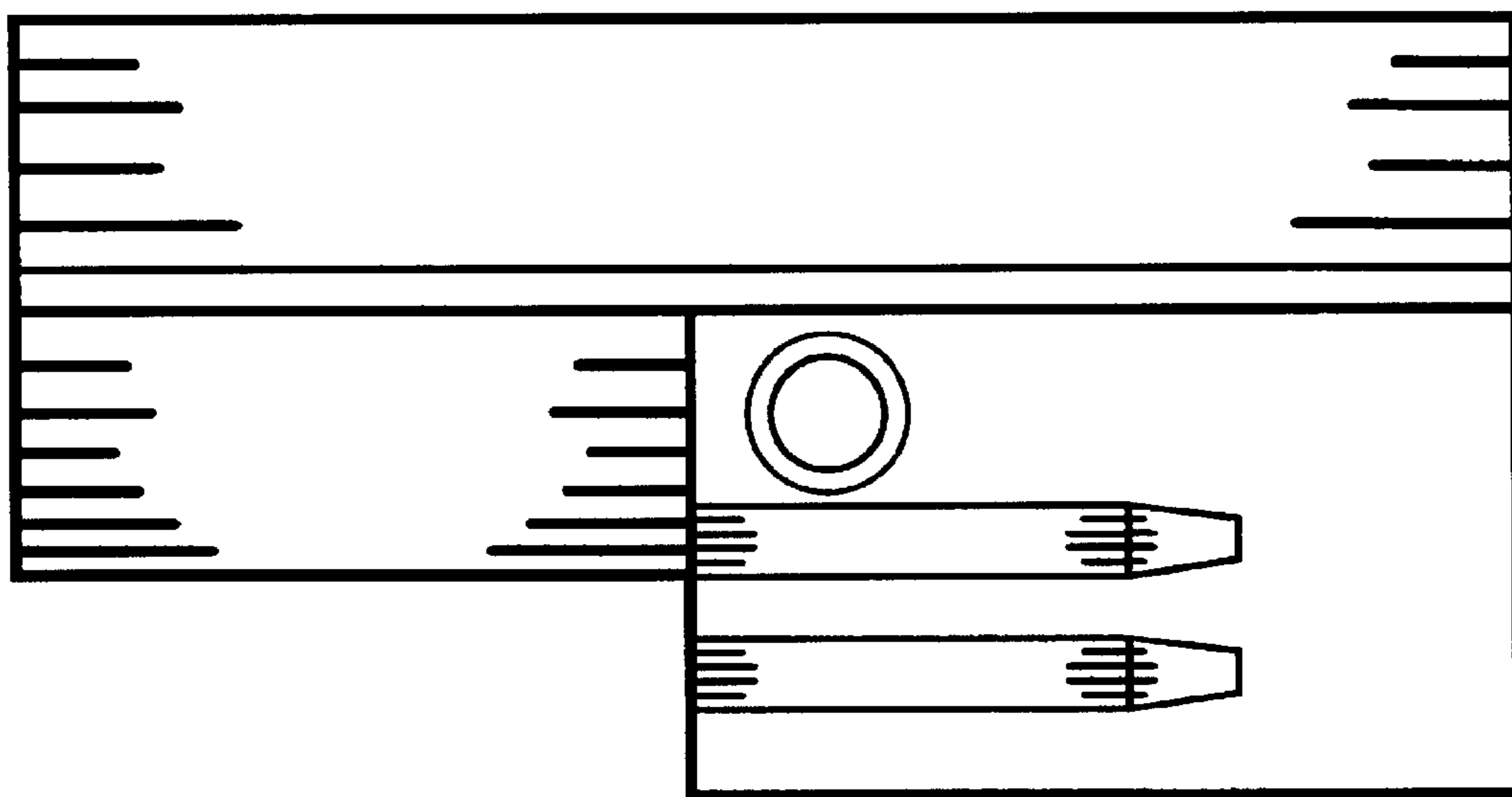


FIGURE 3

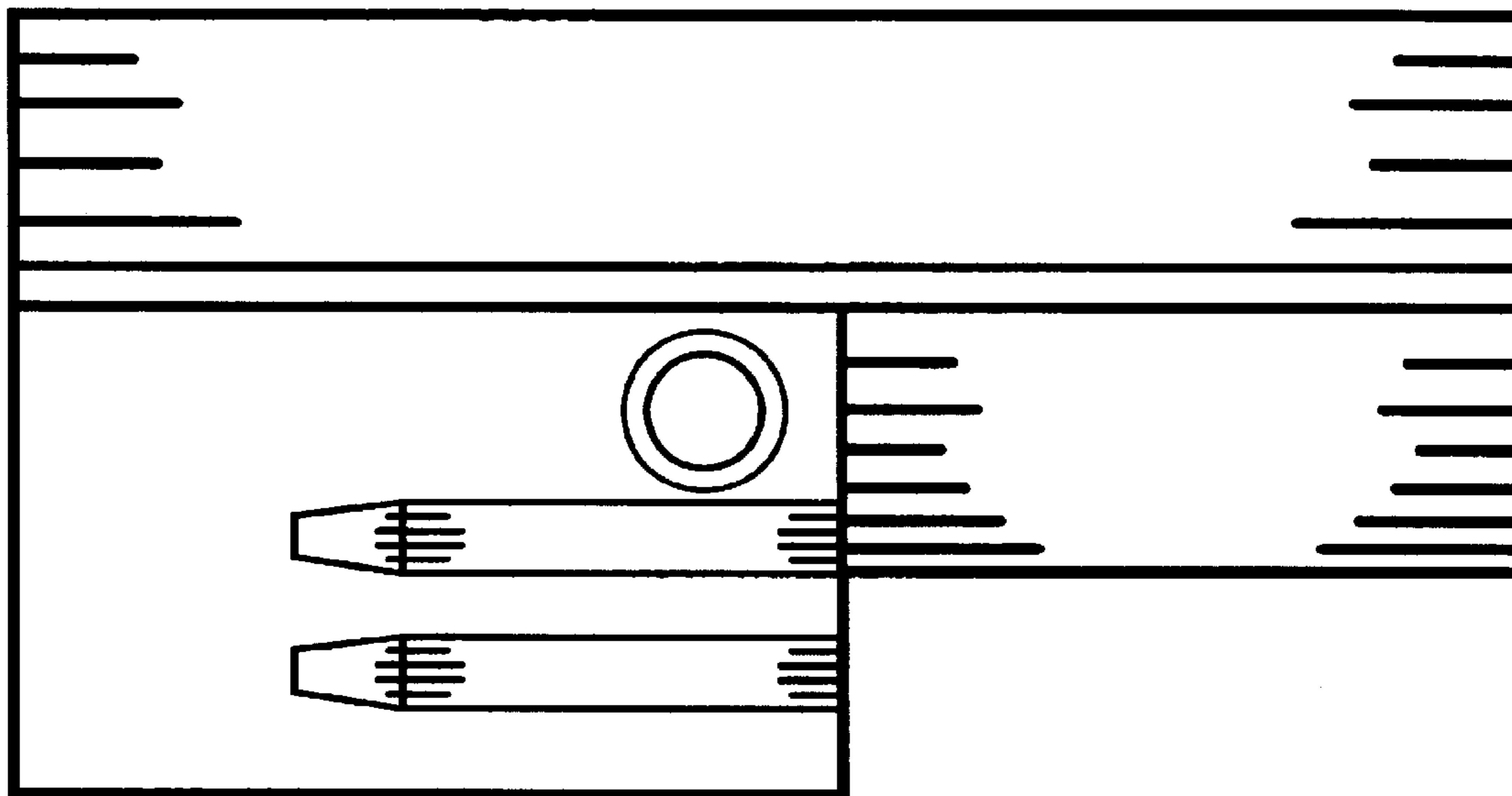


FIGURE 4

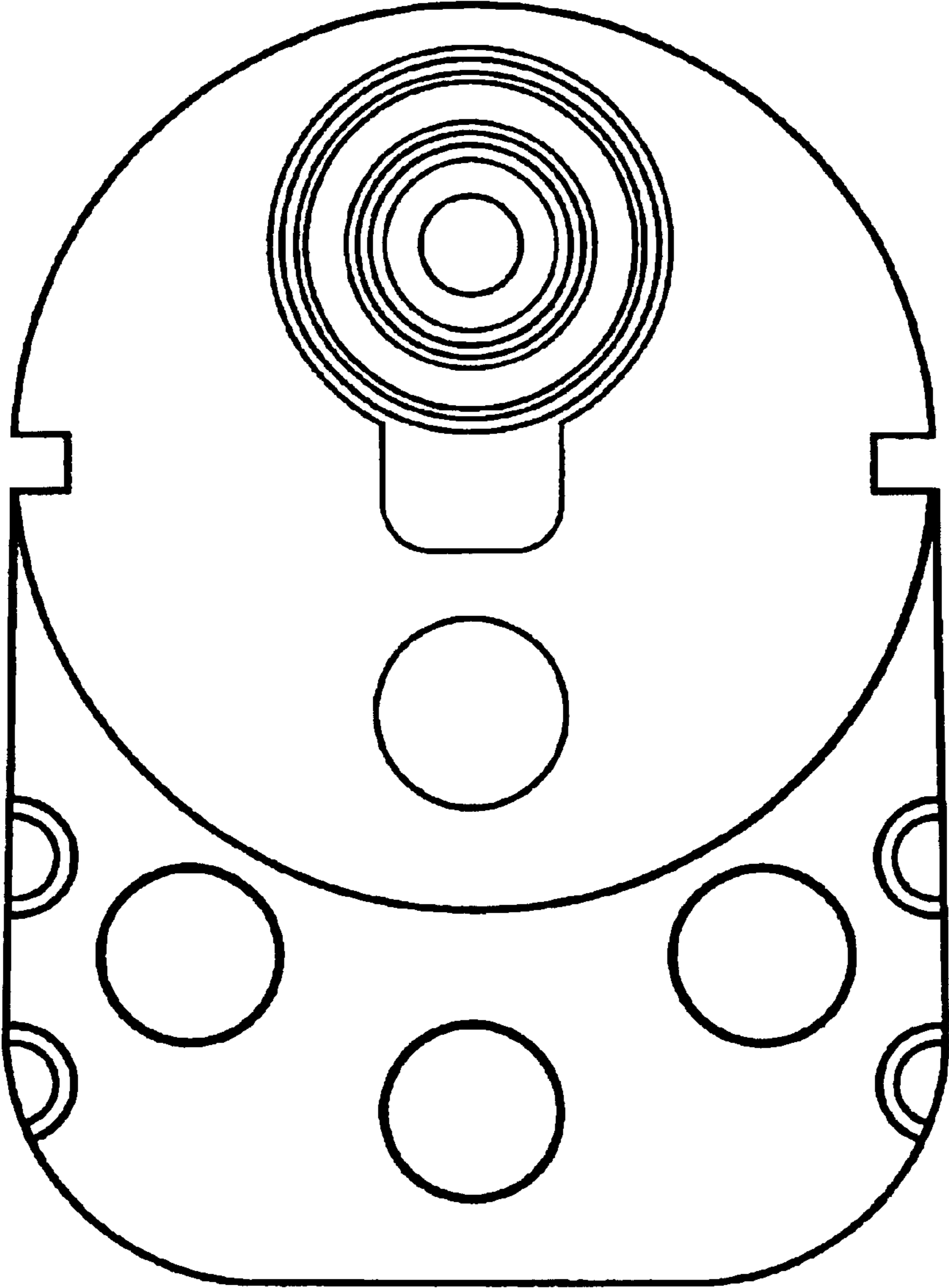


FIGURE 5

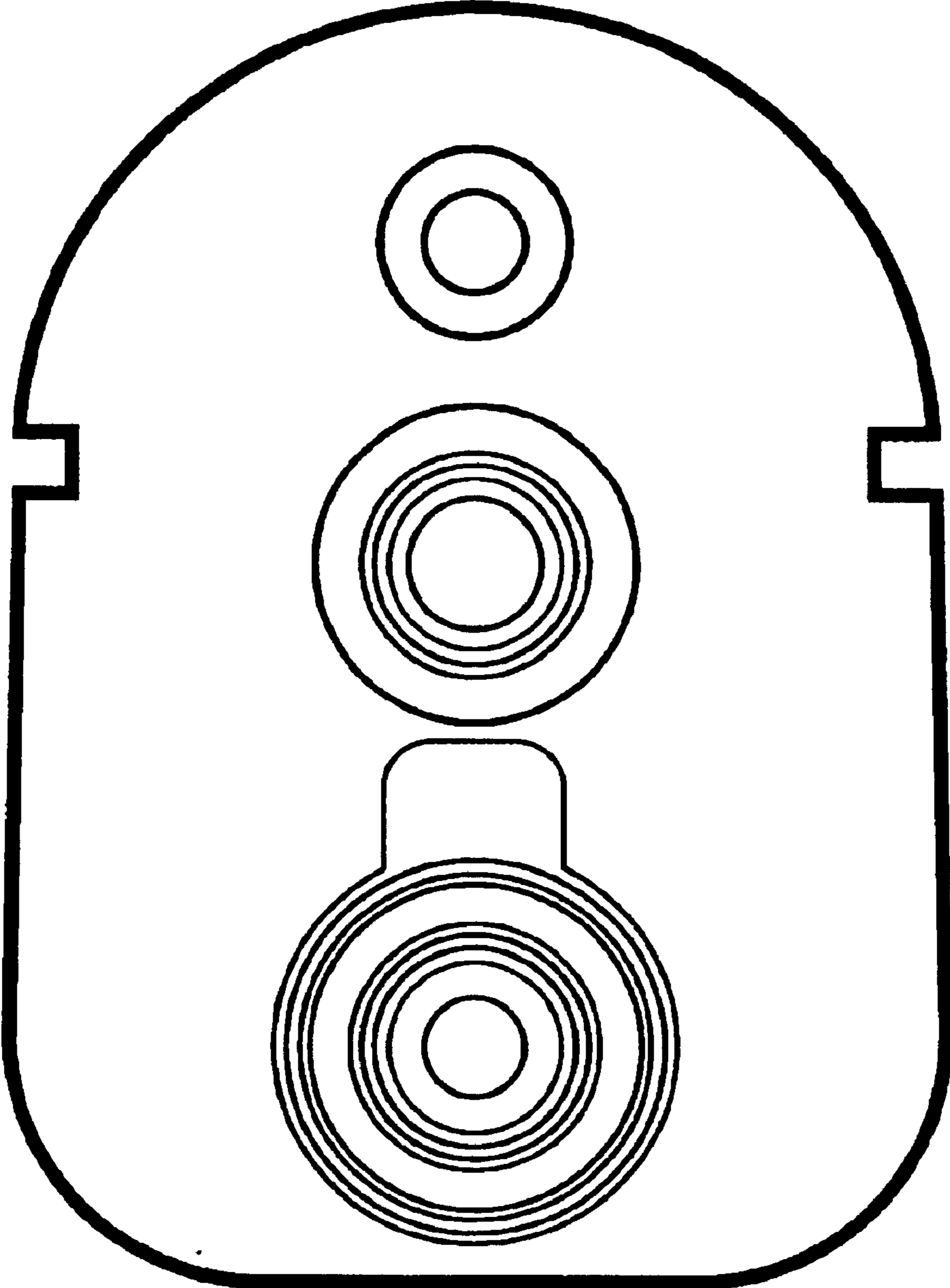


FIGURE 6

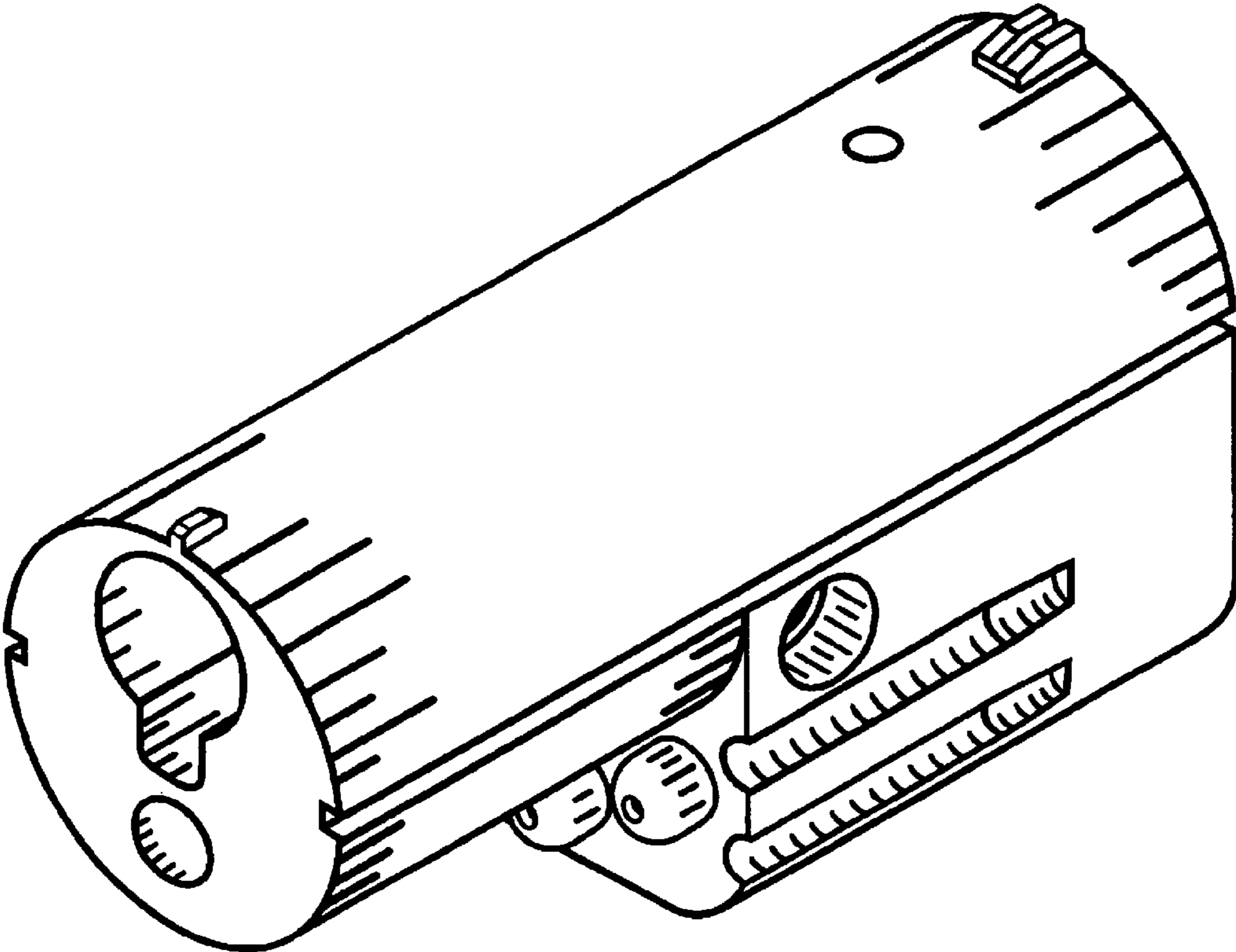


FIGURE 7

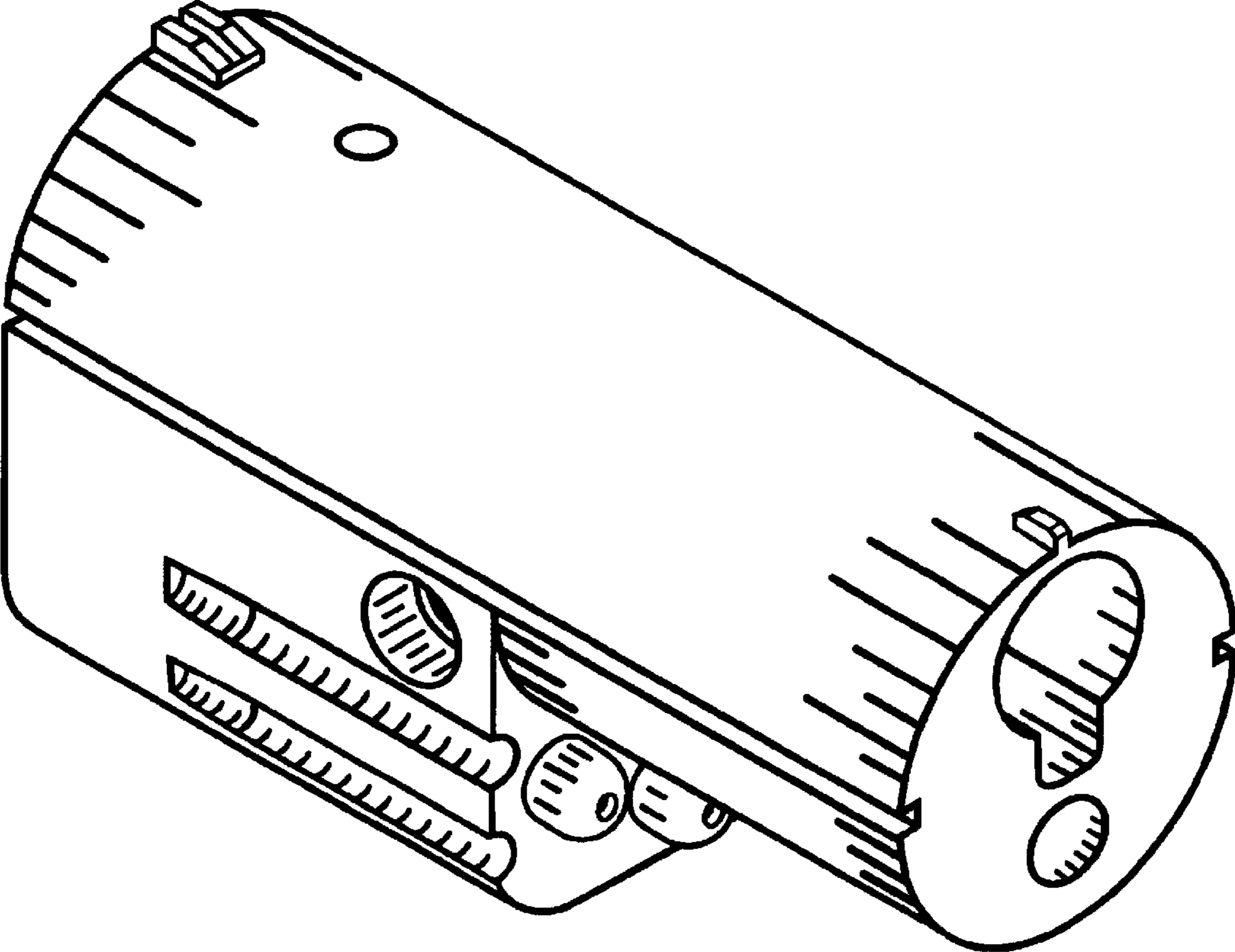


FIGURE 8

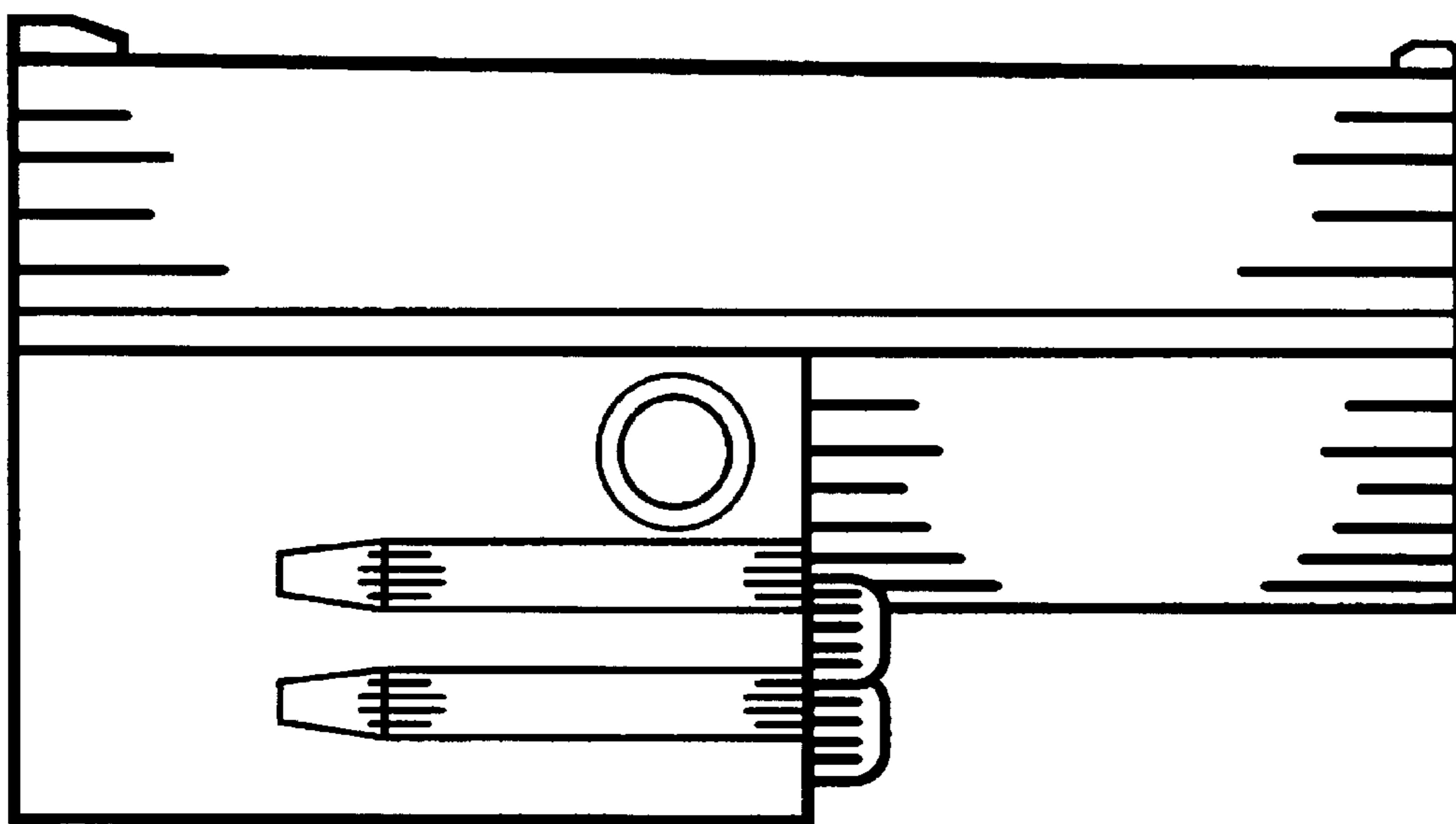


FIGURE 9

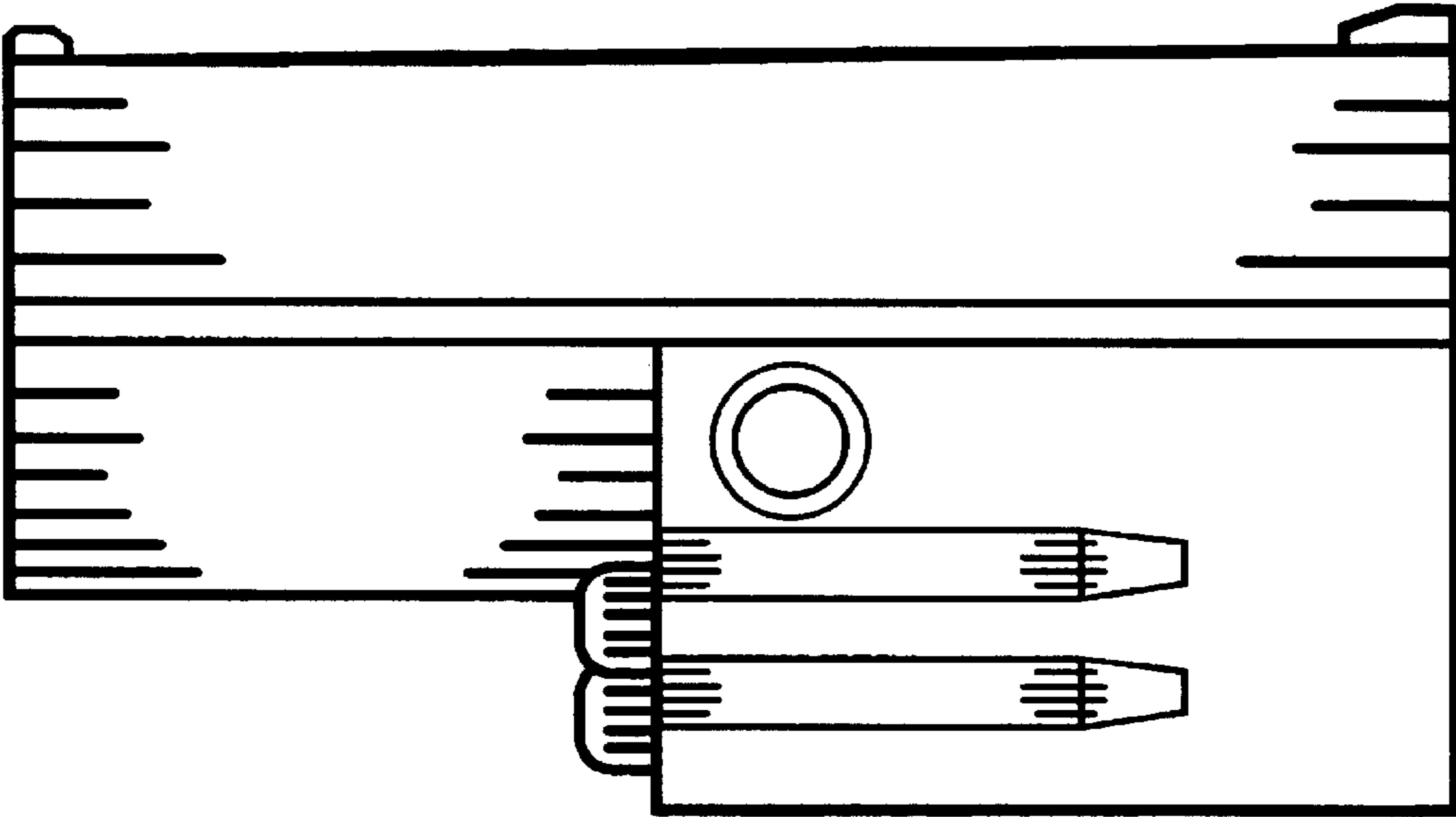


FIGURE 10

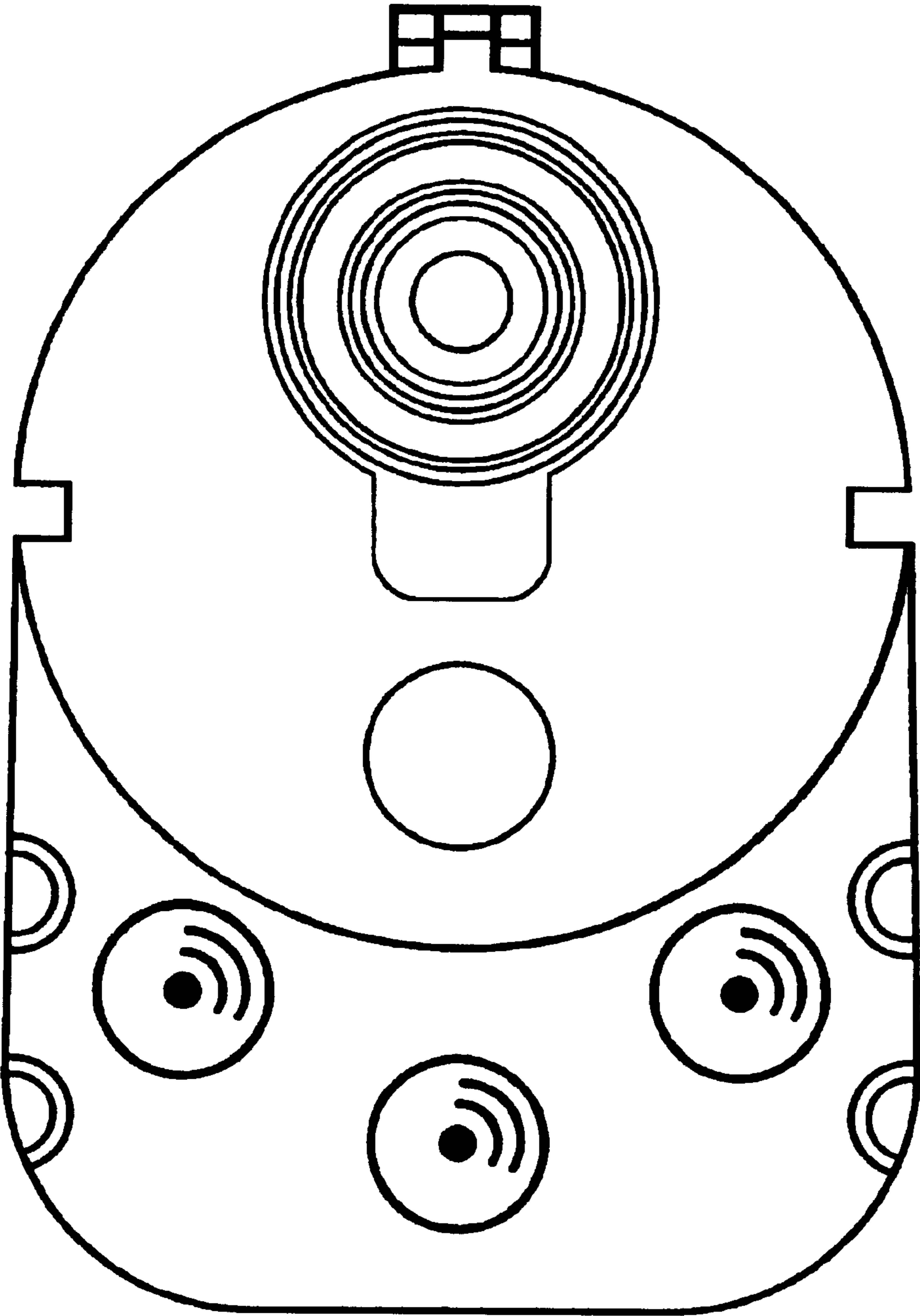


FIGURE 11

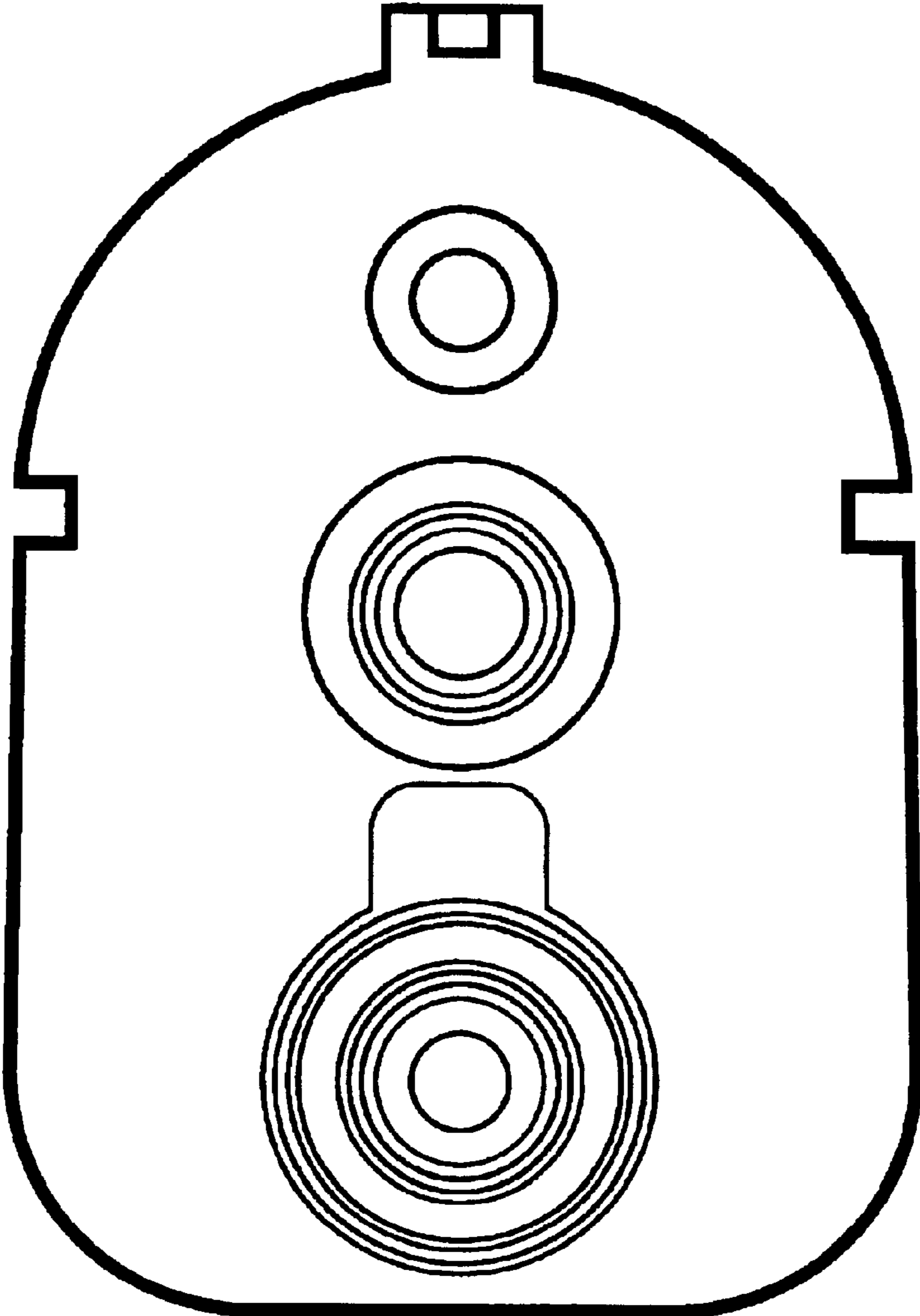


FIGURE 12