



US00D513785S

(12) **United States Design Patent**
Leer et al.

(10) **Patent No.:** **US D513,785 S**
(45) **Date of Patent:** **** Jan. 24, 2006**

(54) **TANK FOR PRESSURIZED SPRAYER**

D347,047 S * 5/1994 Wood D23/225
6,695,228 B2 * 2/2004 Odessa 239/337
D490,140 S * 5/2004 Byron D23/225

(75) Inventors: **Rick Leer**, Somerset, PA (US);
Timothy S. Devore, Rockwood, PA
(US); **Thomas C. Oylar**, Louisville,
KY (US)

* cited by examiner

Primary Examiner—Robin V. Taylor

(74) *Attorney, Agent, or Firm*—Victor A. Henzi

(73) Assignee: **Gilmour, Inc.**, Newark, DE (US)

(57) **CLAIM**

(**) Term: **14 Years**

The ornamental design for a tank for pressurized sprayer, as shown and described.

(21) Appl. No.: **29/212,653**

DESCRIPTION

(22) Filed: **Sep. 4, 2004**

(51) **LOC (8) Cl.** **23-01**

FIG. 1 is a front right perspective view of the present new design for a tank for pressurized sprayer; FIG. 2 is a right elevational view thereof; FIG. 3 is a left elevational view thereof; FIG. 4 is a rear elevational view thereof; FIG. 5 is a front elevational view thereof; FIG. 6 is a top plan view thereof; and, FIG. 7 is a bottom plan view thereof.

(52) **U.S. Cl.** **D23/225**

(58) **Field of Classification Search** D23/213,
D23/202, 225; 239/302, 308, 333, 373, 337;
222/400.8, 402.15

See application file for complete search history.

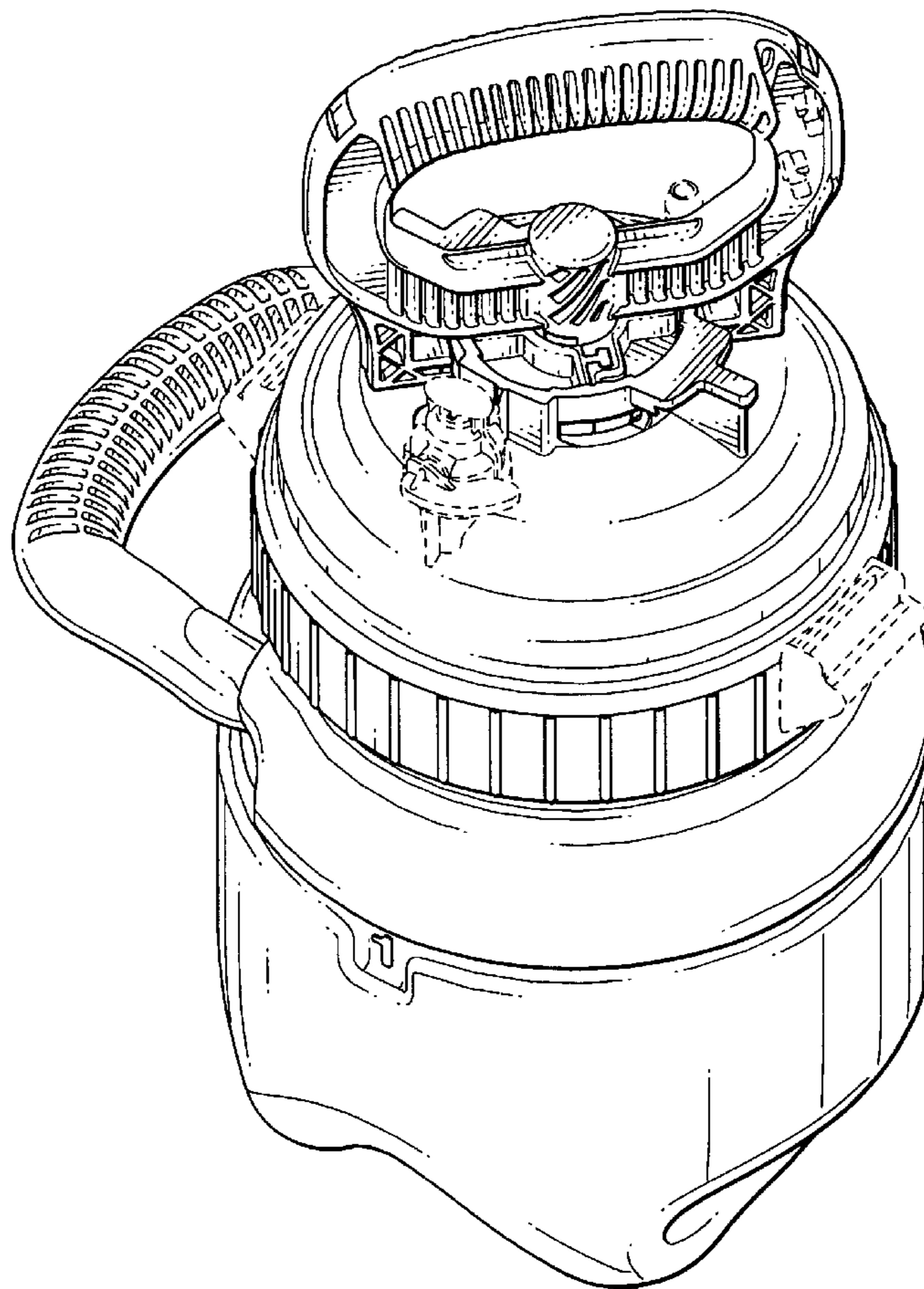
The broken lines showing various features of a tank for pressurized sprayer are for illustrative purposes only and form no part of the claimed design.

(56) **References Cited**

U.S. PATENT DOCUMENTS

D224,531 S * 8/1972 Kirkbride D23/225
D307,628 S * 5/1990 Ballu D23/225
D327,528 S * 6/1992 Sears et al. D23/225

1 Claim, 6 Drawing Sheets



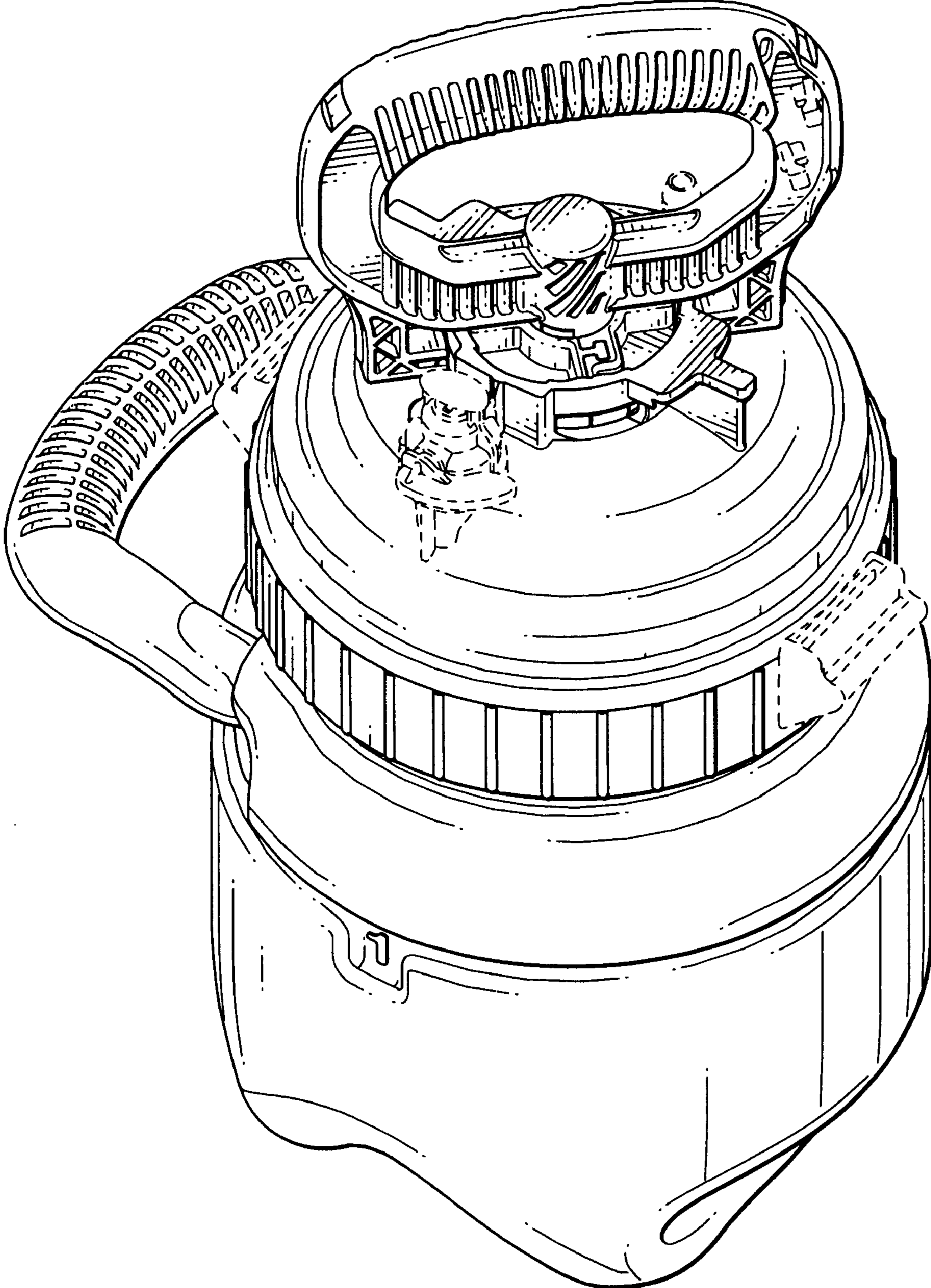


FIG. 1

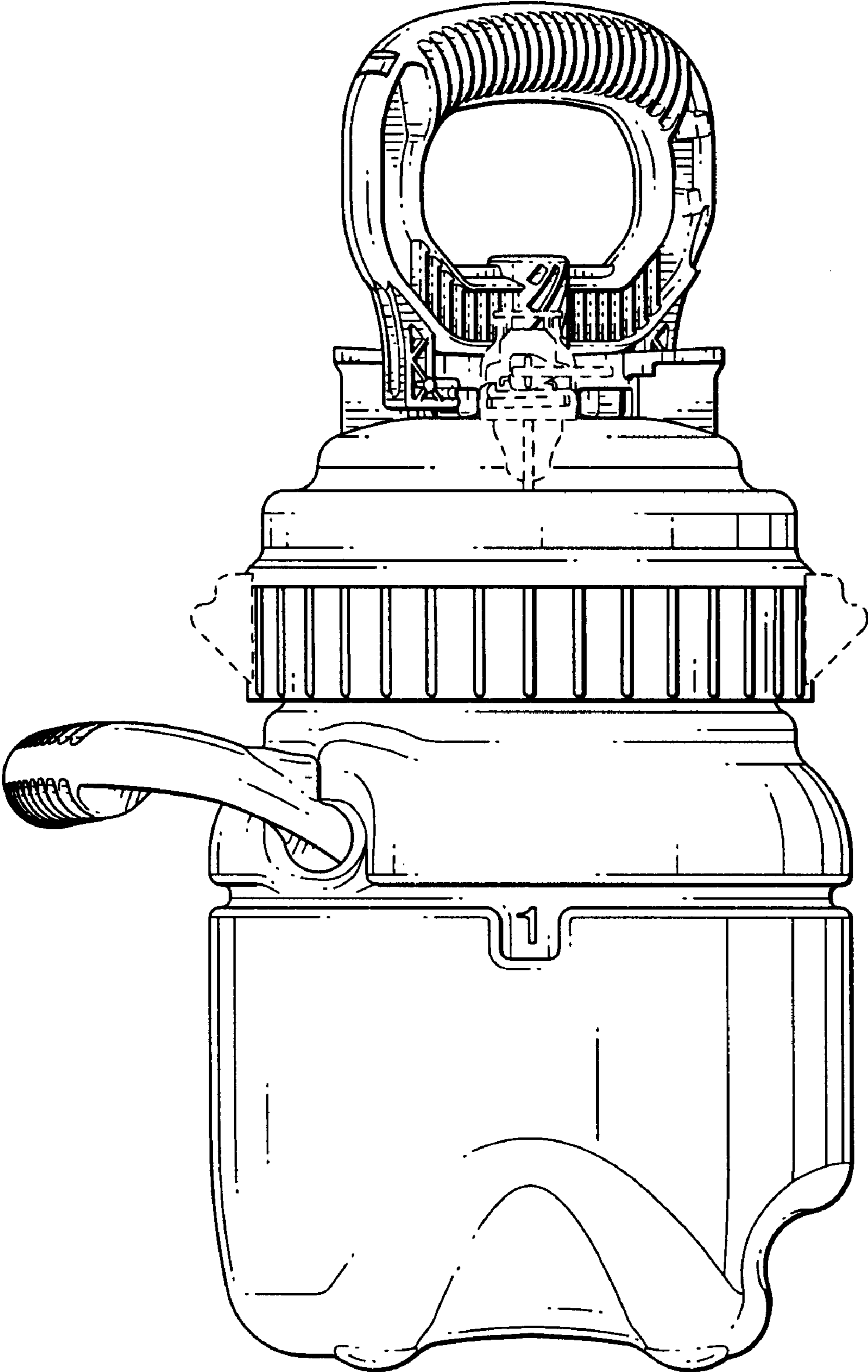


FIG. 2

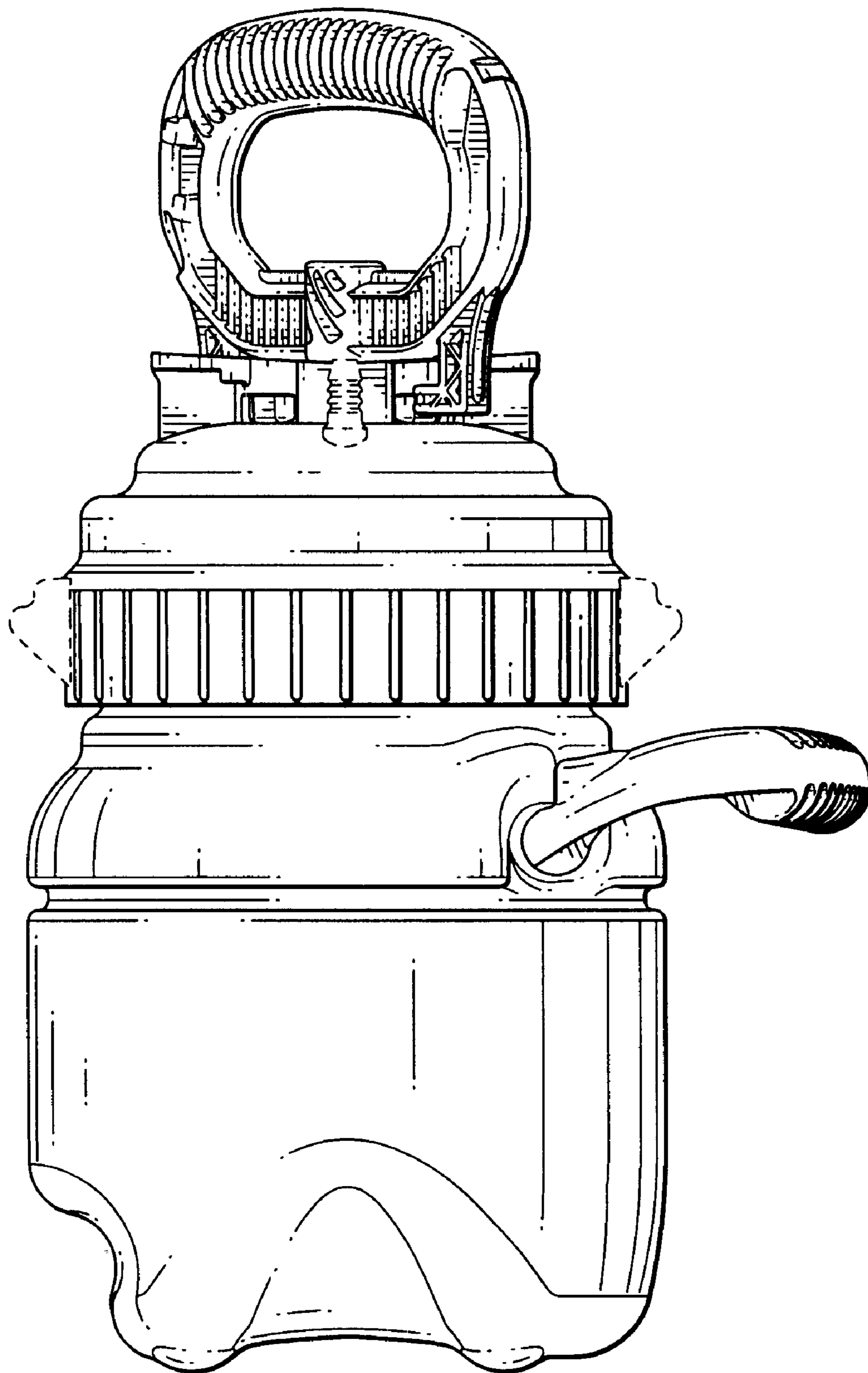


FIG. 3

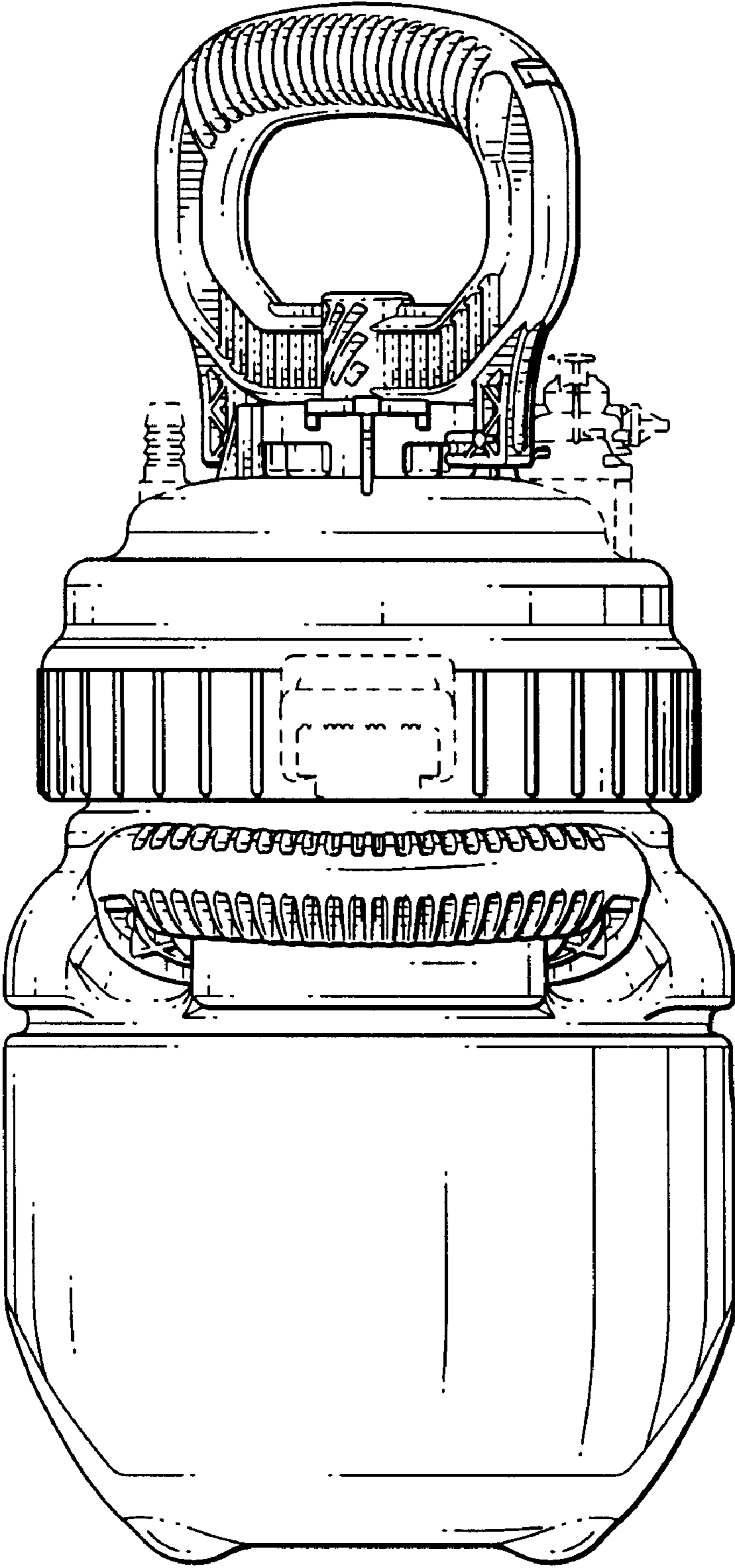


FIG. 4

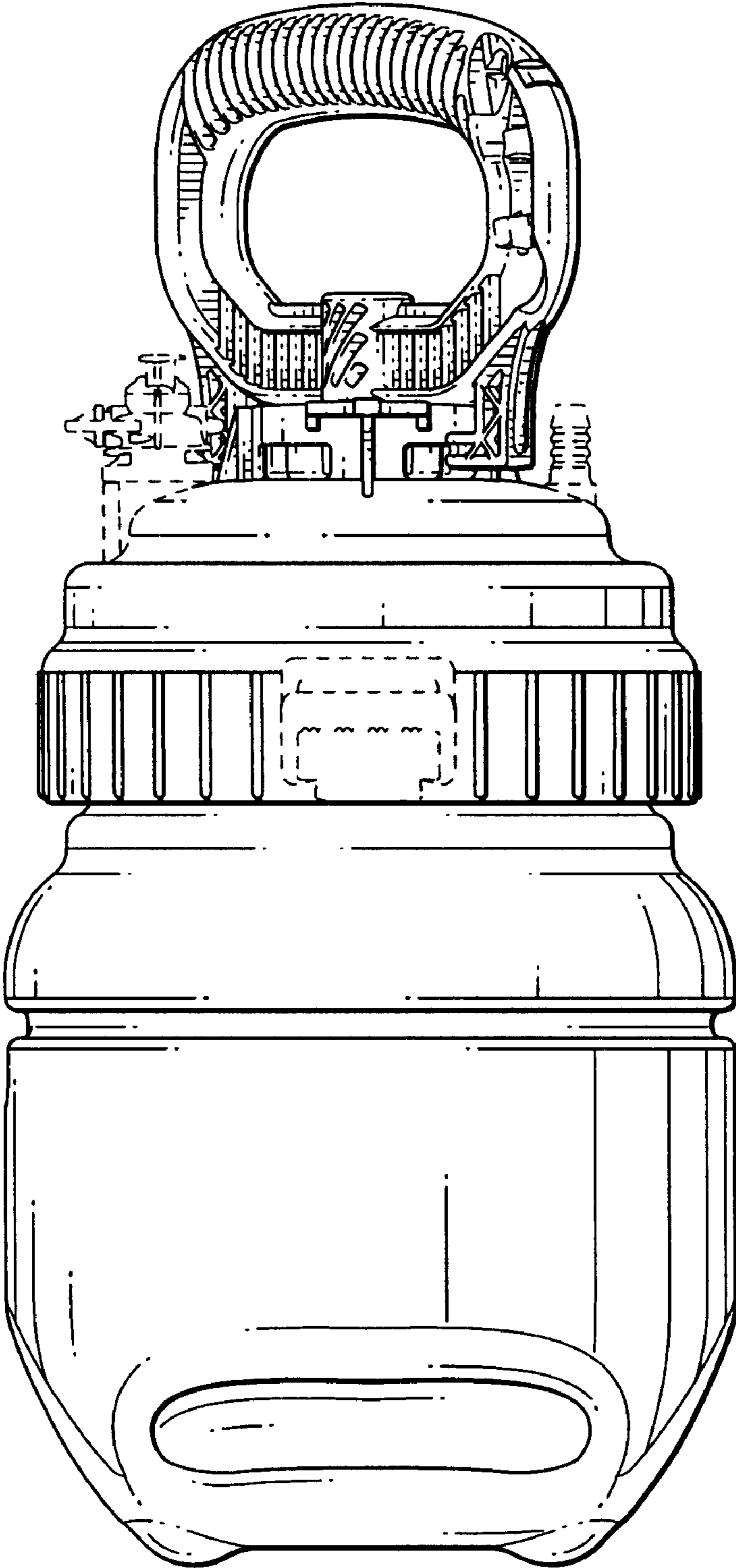


FIG. 5

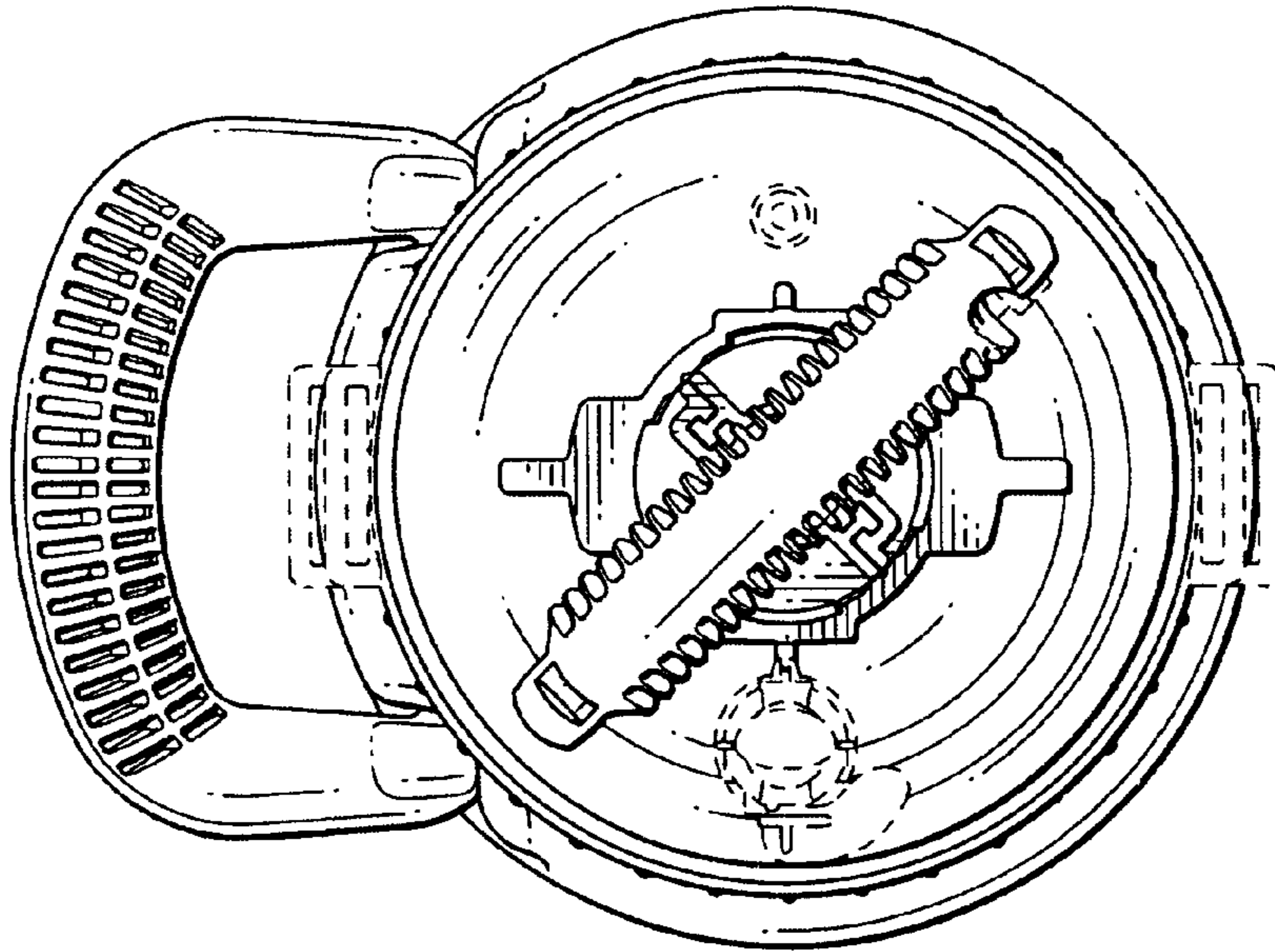


FIG. 6

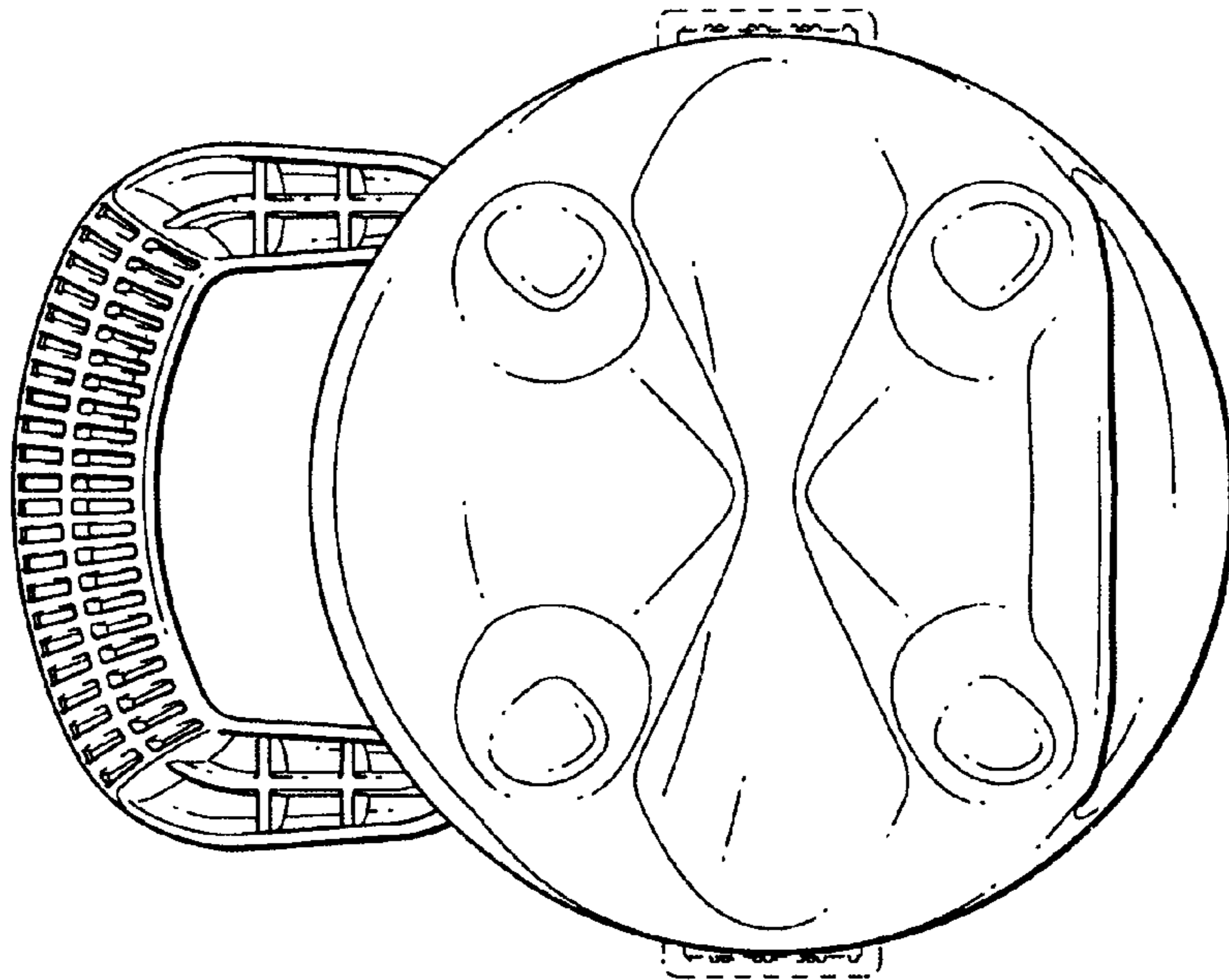


FIG. 7