



US00D513783S

(12) **United States Design Patent**
Holmes et al.

(10) **Patent No.:** **US D513,783 S**
(45) **Date of Patent:** **** Jan. 24, 2006**

(54) **SPRINKLER BASE**

(75) Inventors: **Tony Holmes**, Wangi Wangi (AU);
Peter Dartnall, Dernacourt (AU)

(73) Assignee: **Tony Holmes**, Wangi Wangi (AU)

(**) Term: **14 Years**

(21) Appl. No.: **29/200,317**

(22) Filed: **Feb. 25, 2004**

(30) **Foreign Application Priority Data**

Sep. 23, 2003 (AU) 3255/2003

(51) **LOC (8) Cl.** **23-01**

(52) **U.S. Cl.** **D23/221**

(58) **Field of Classification Search** D23/213,
D23/214, 221; 239/273, 276

See application file for complete search history.

(56) **References Cited**

U.S. PATENT DOCUMENTS

D397,203 S * 8/1998 Wang D23/214

D404,463 S * 1/1999 Antel et al. D23/221
D427,280 S * 6/2000 Chang D23/214
D437,389 S * 2/2001 Hsin-Fa D23/221

* cited by examiner

Primary Examiner—Robin V. Taylor

(74) *Attorney, Agent, or Firm*—Chernoff Vilhauer McClung
& Stenzel LLP

(57) **CLAIM**

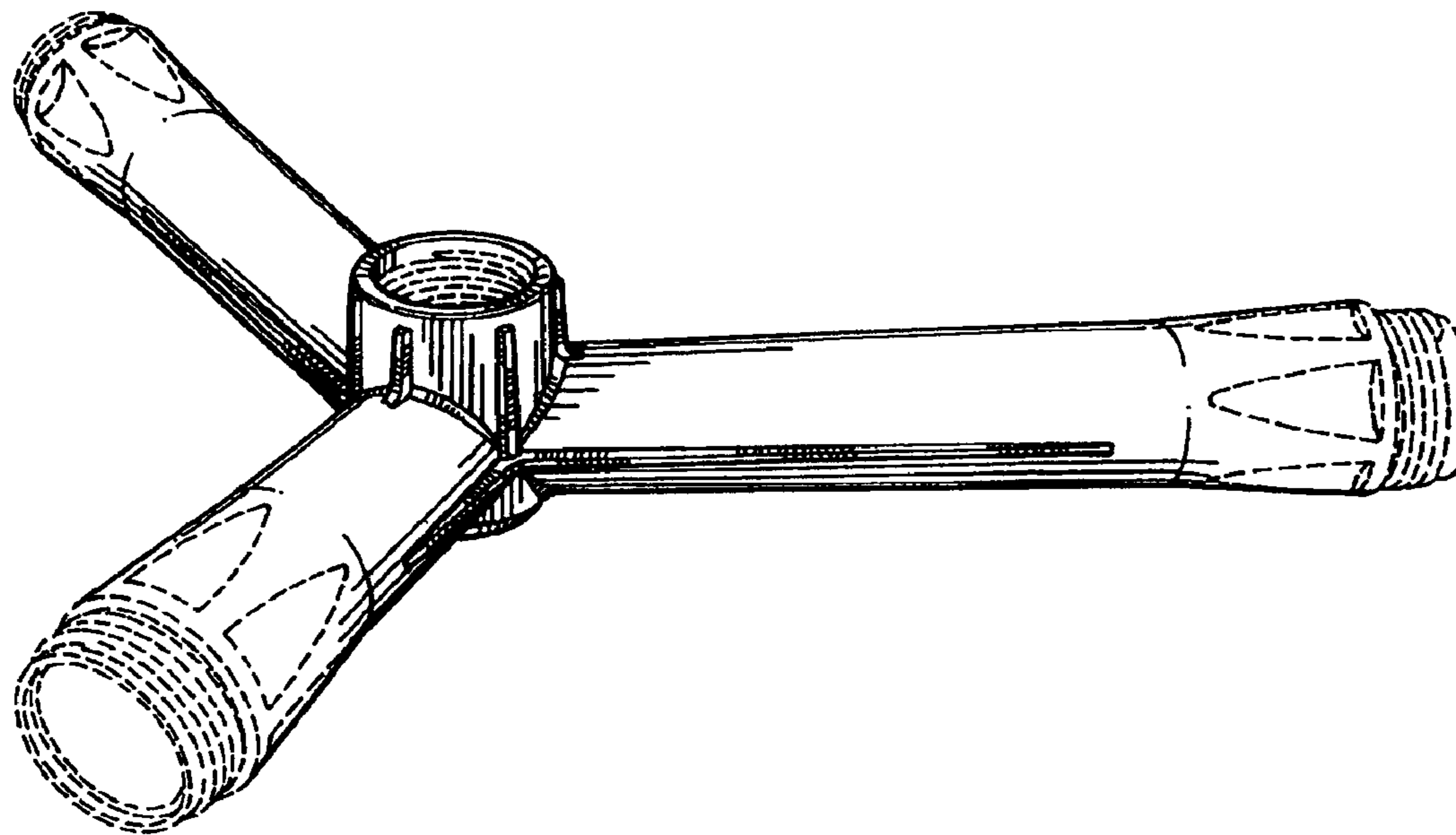
The ornamental design for sprinkler base, as shown and described.

DESCRIPTION

FIG. 1 is a perspective view of a sprinkler base;
FIG. 2 is a top view of the sprinkler base of FIG. 1.
FIG. 3 is a bottom view of the sprinkler base of FIG. 1.
FIG. 4 is a front view of the sprinkler base of FIG. 1.
FIG. 5 is a rear view of the sprinkler base of FIG. 1; and,
FIG. 6 is a left side view of the sprinkler base of FIG. 1 with
the right side view being a mirror image thereof.

The broken lines are for illustrative purposes only and form
no part of the claimed design.

1 Claim, 3 Drawing Sheets



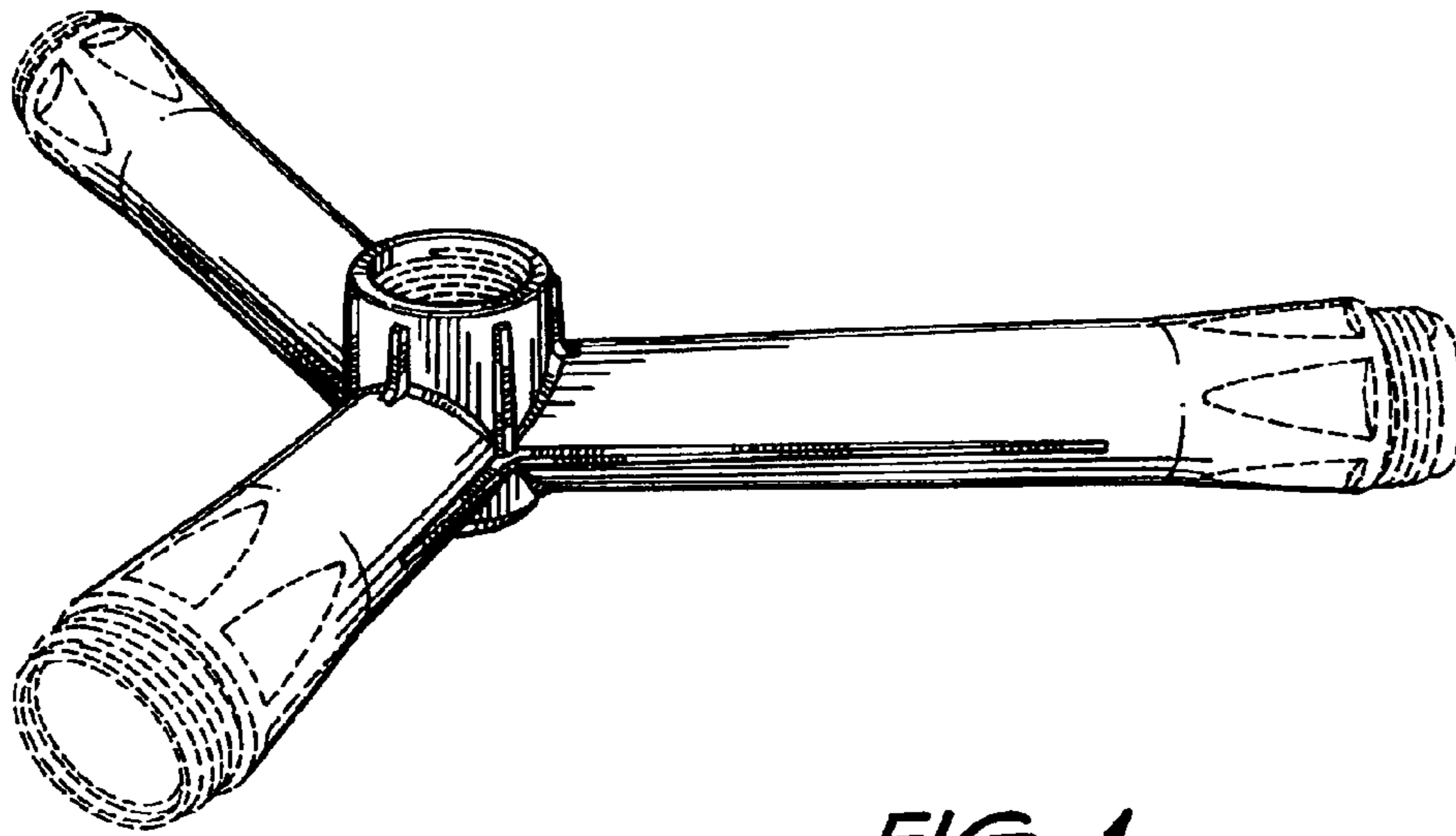


FIG. 1

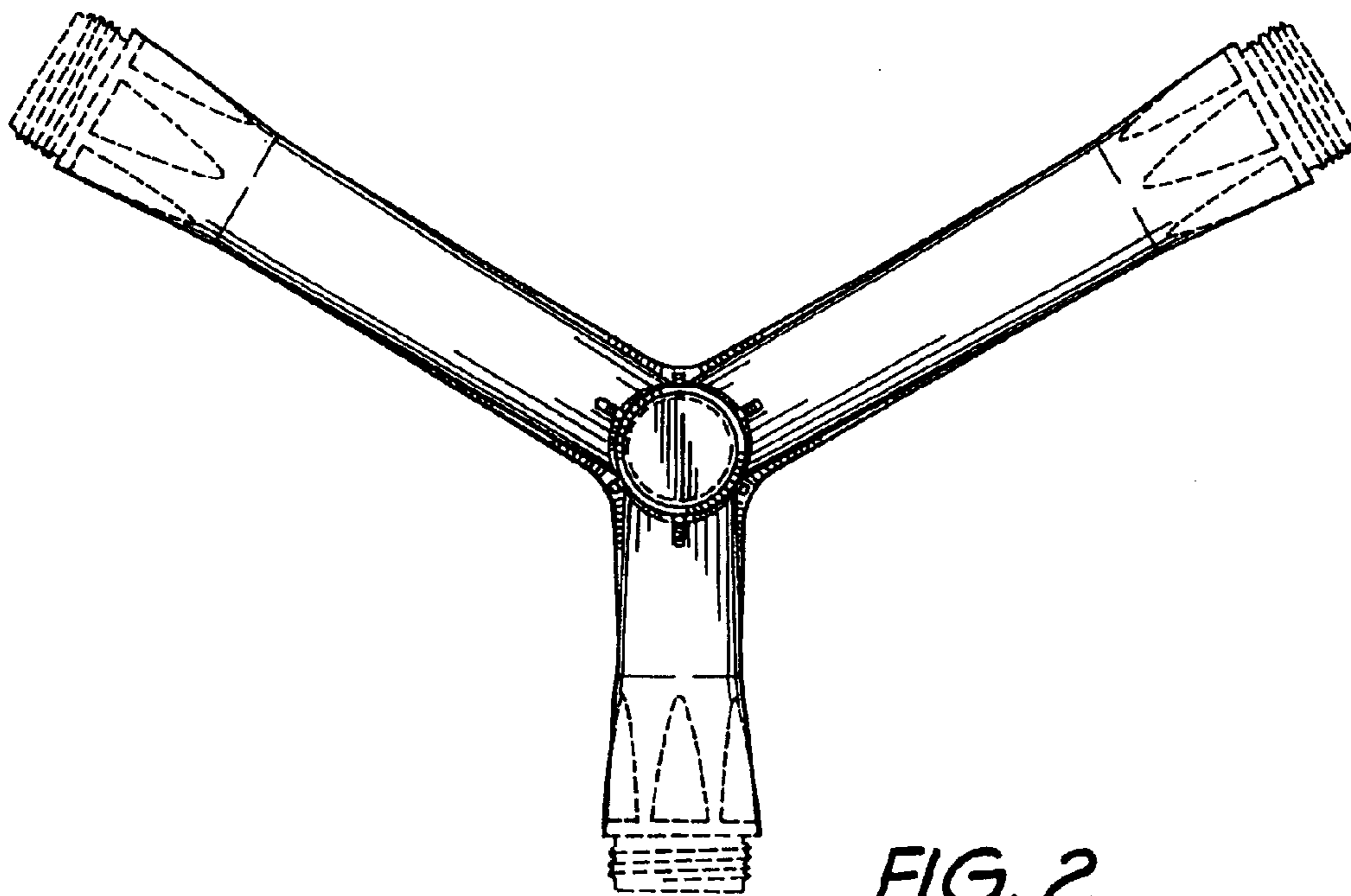


FIG. 2

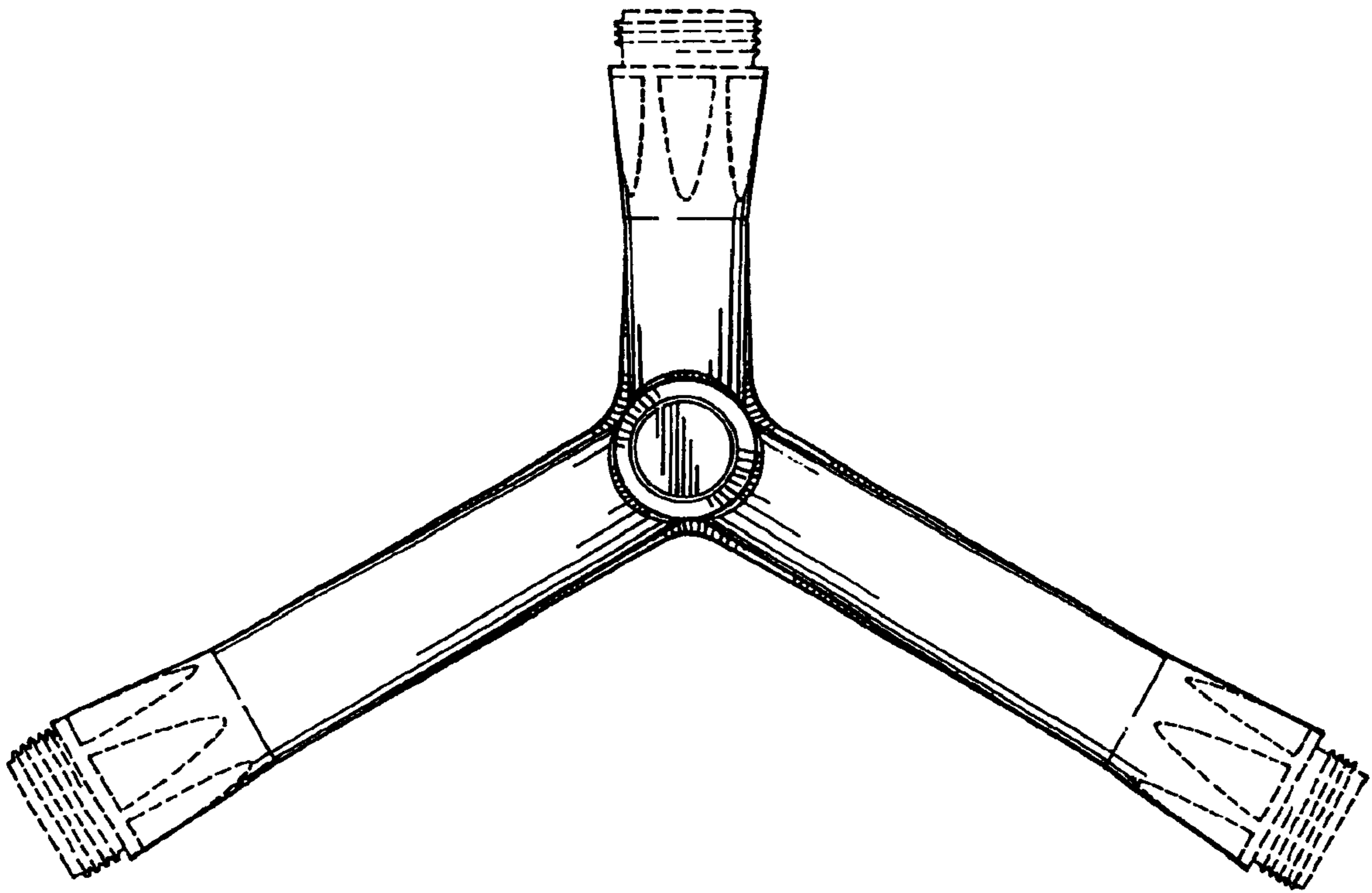


FIG. 3

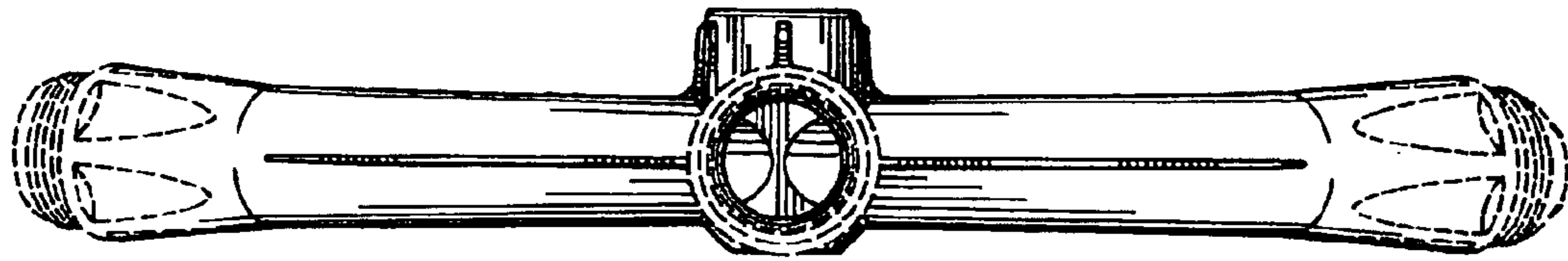


FIG. 4

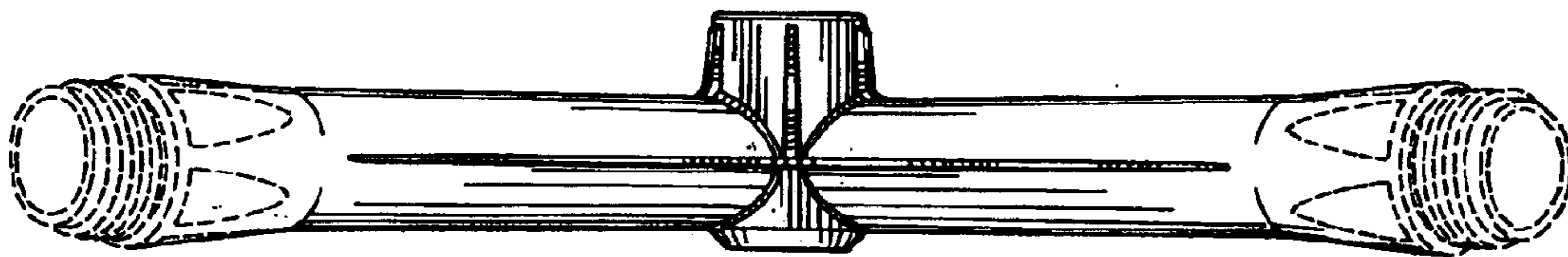


FIG. 5

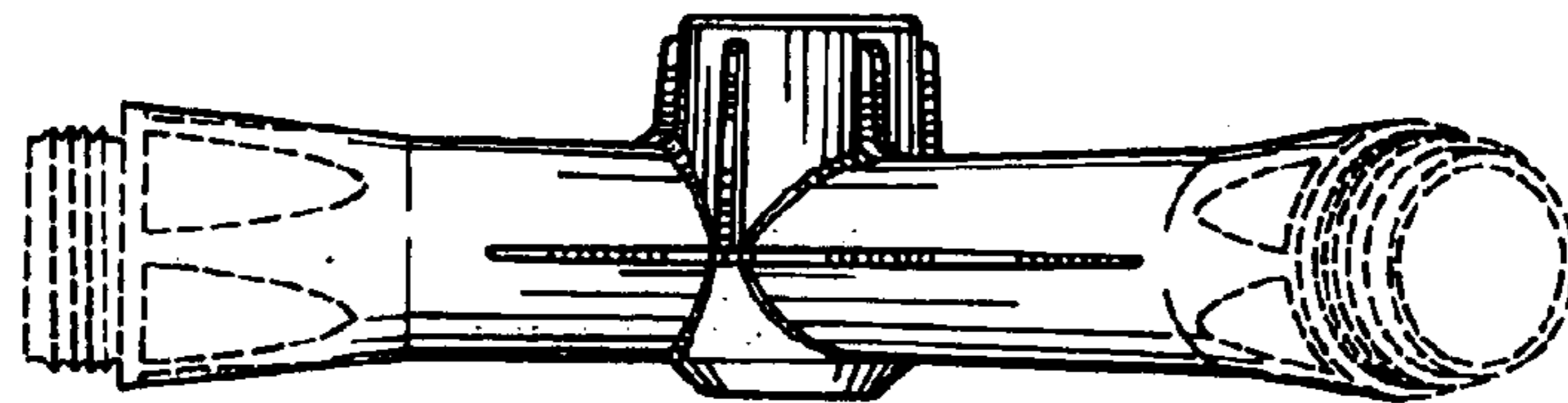


FIG. 6