



US00D513781S

(12) **United States Design Patent**
Clary

(10) **Patent No.: US D513,781 S**

(45) **Date of Patent: ** Jan. 24, 2006**

(54) **FISHING POST CAP**

(76) **Inventor: John E. Clary**, 5485 Pine Grove La.,
Ames, IA (US) 50014

(**) **Term: 14 Years**

(21) **Appl. No.: 29/214,091**

(22) **Filed: Sep. 28, 2004**

(51) **LOC (8) Cl. 22-05**

(52) **U.S. Cl. D22/147**

(58) **Field of Classification Search** D22/147,
D22/148, 134, 136, 149, 199; 43/21.2, 54.1,
43/55-57; D6/552-553; 248/519-520; 224/922
See application file for complete search history.

D408,885 S * 4/1999 O'Neill D22/147
6,173,931 B1 1/2001 Johnson, Jr. et al. ... 248/222.11
D442,442 S 5/2001 Goldsborough D7/701
D464,106 S * 10/2002 Macaluso D22/147
6,545,216 B1 4/2003 Bell et al. 174/50
6,662,515 B2 12/2003 Buhrts et al. 52/301
6,862,835 B1 * 3/2005 Connors et al. 43/21.2

* cited by examiner

Primary Examiner—Catherine R. Oliver
(74) *Attorney, Agent, or Firm*—McKee, Voorhees & Sease,
P.

(57) **CLAIM**

I claim the ornamental design for a fishing post cap, as shown.

DESCRIPTION

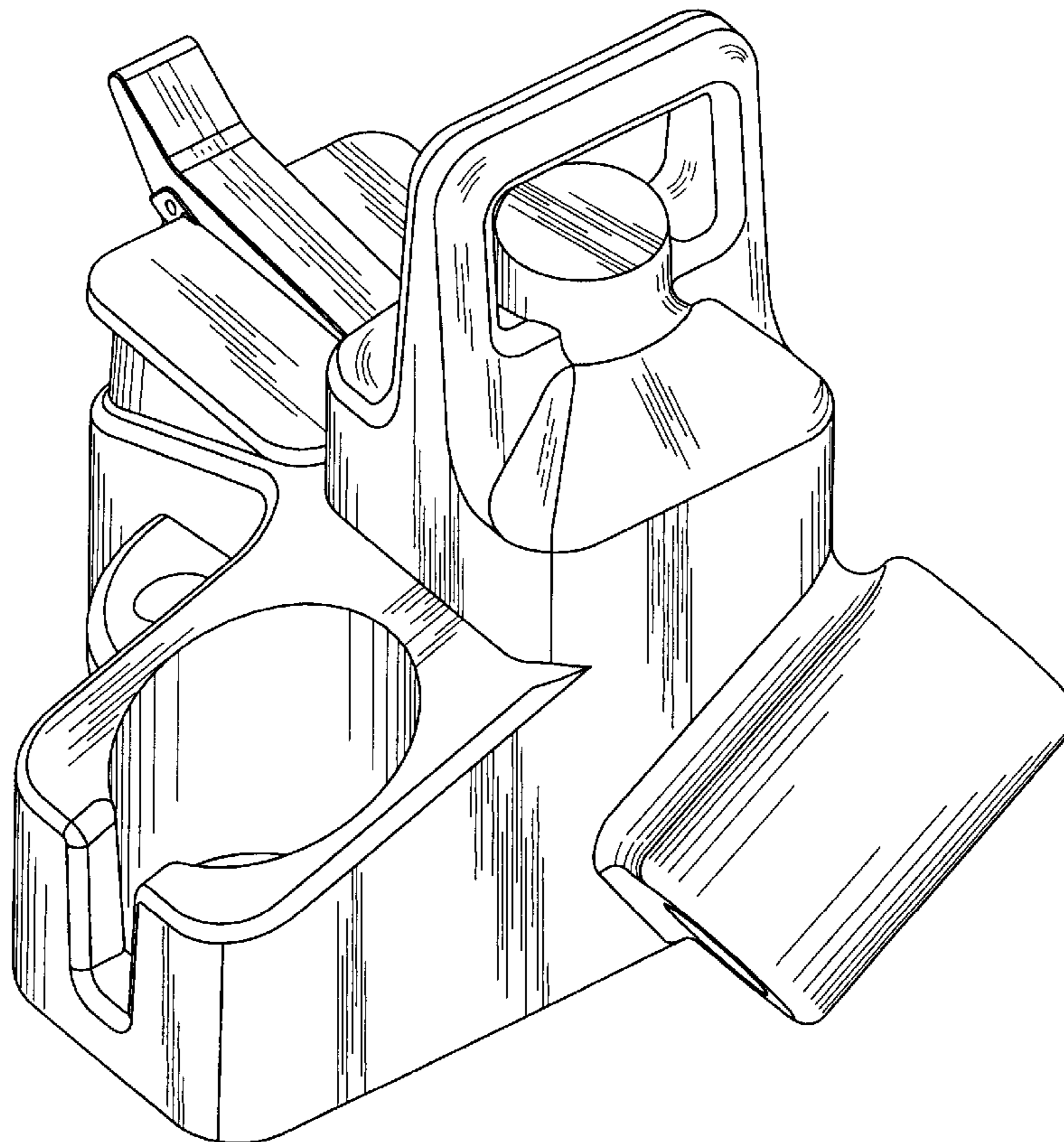
FIG. 1 is a left rear perspective view of the fishing post cap of the present invention;
FIG. 2 is a right rear perspective view thereof;
FIG. 3 is a bottom view thereof;
FIG. 4 is a top view thereof;
FIG. 5 is a right view thereof;
FIG. 6 is a front view thereof;
FIG. 7 is a left view thereof; and,
FIG. 8 is a rear view thereof.

(56) **References Cited**

U.S. PATENT DOCUMENTS

| | | | |
|-------------|----------|---------------------|-----------|
| 3,344,551 A | 10/1967 | Chestnut | 43/55 |
| 3,917,134 A | 11/1975 | Tumlinson | 224/148.4 |
| 4,497,129 A | 2/1985 | Chestnut | 43/21.2 |
| 4,971,280 A | 11/1990 | Rinderer | 248/229 |
| 5,054,190 A | 10/1991 | Harding | 248/538 |
| 5,142,102 A | 8/1992 | Michie | 174/50 |
| 5,272,279 A | 12/1993 | Filshie | 174/50 |
| 5,409,190 A | 4/1995 | Mattox | 248/315 |
| 5,709,057 A | 1/1998 | Johnson, Jr. et al. | 52/301 |
| D390,627 S | * 2/1998 | Waldman | D22/147 |

1 Claim, 4 Drawing Sheets



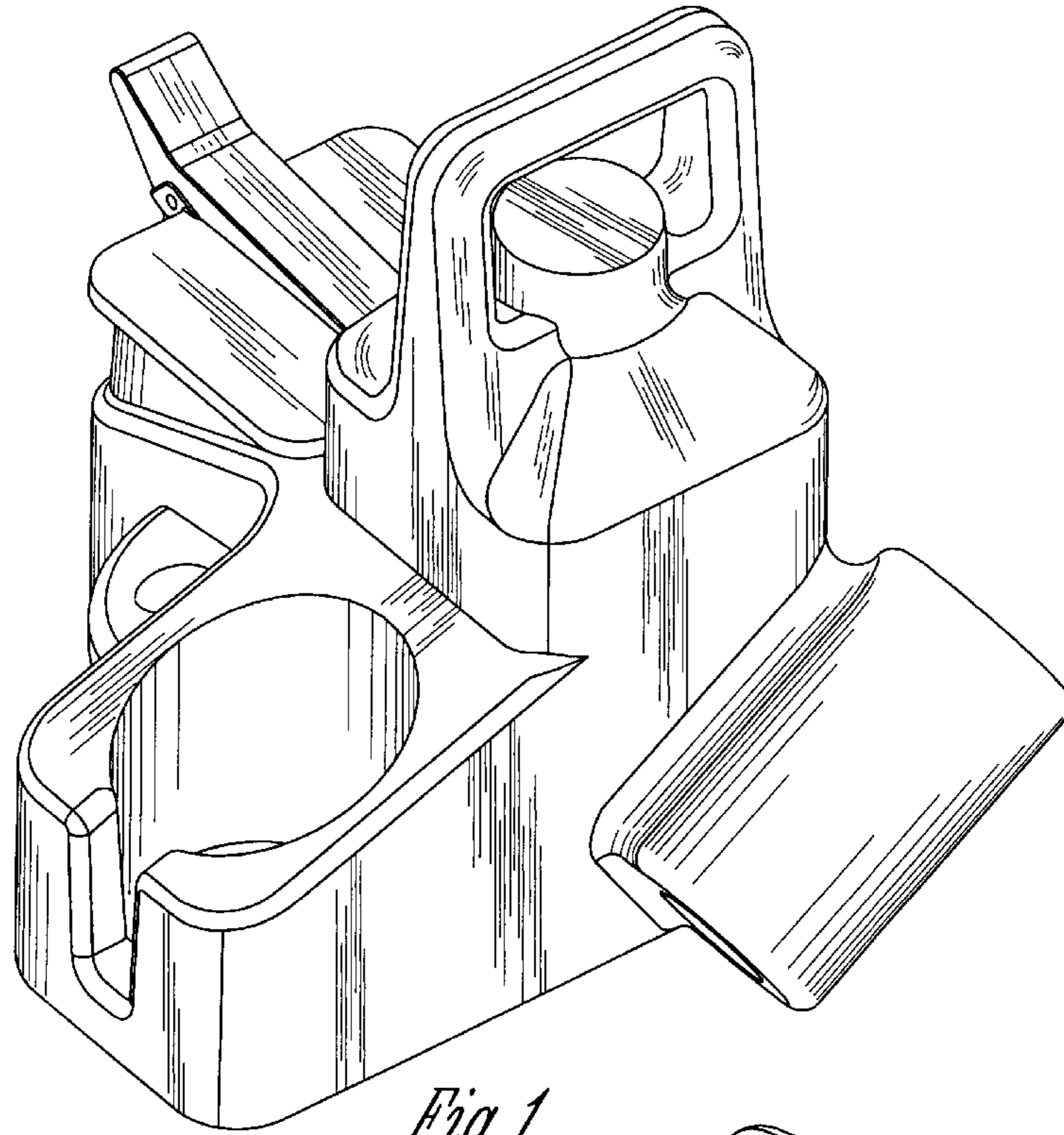


Fig. 1

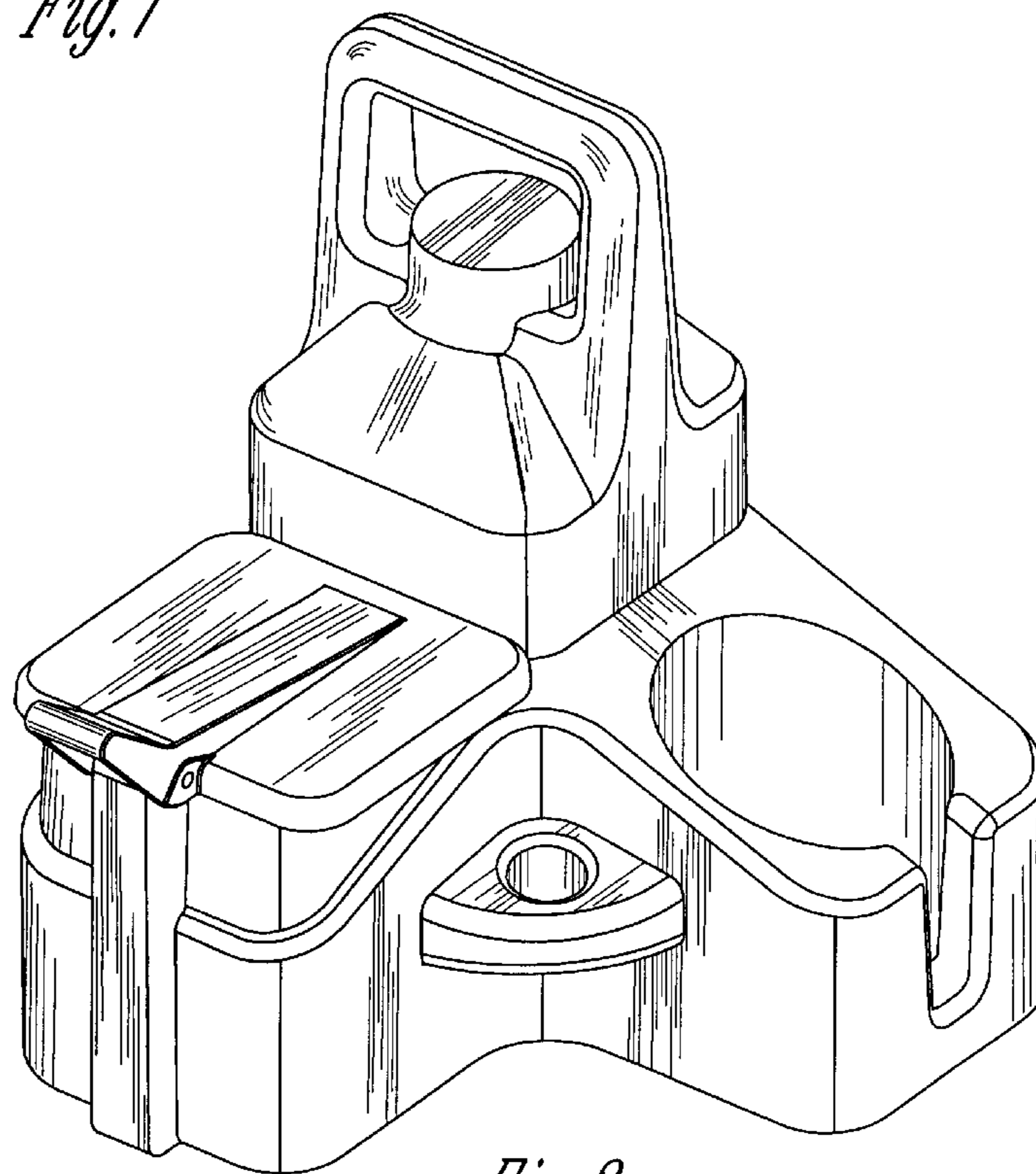


Fig. 2

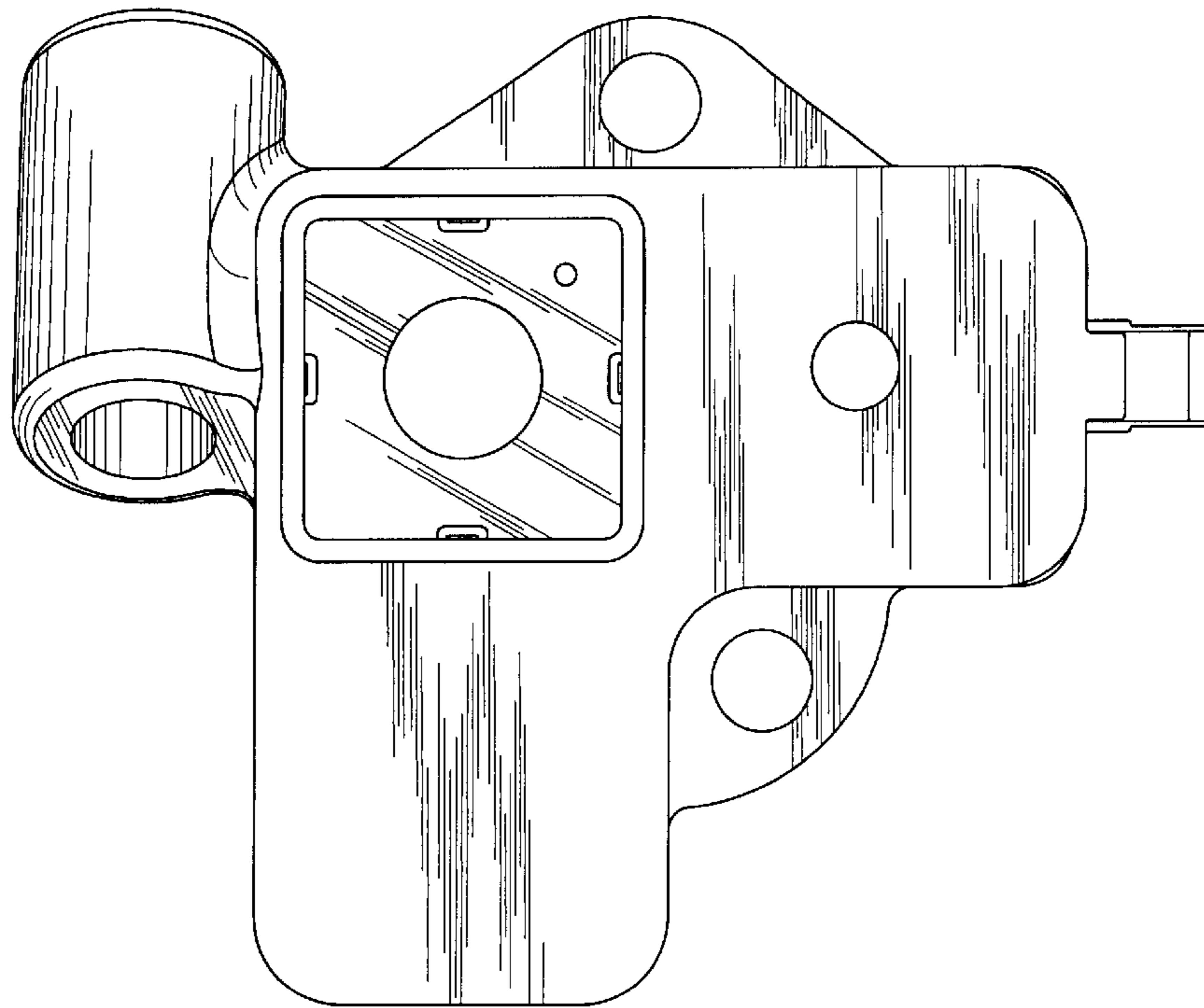


Fig. 3

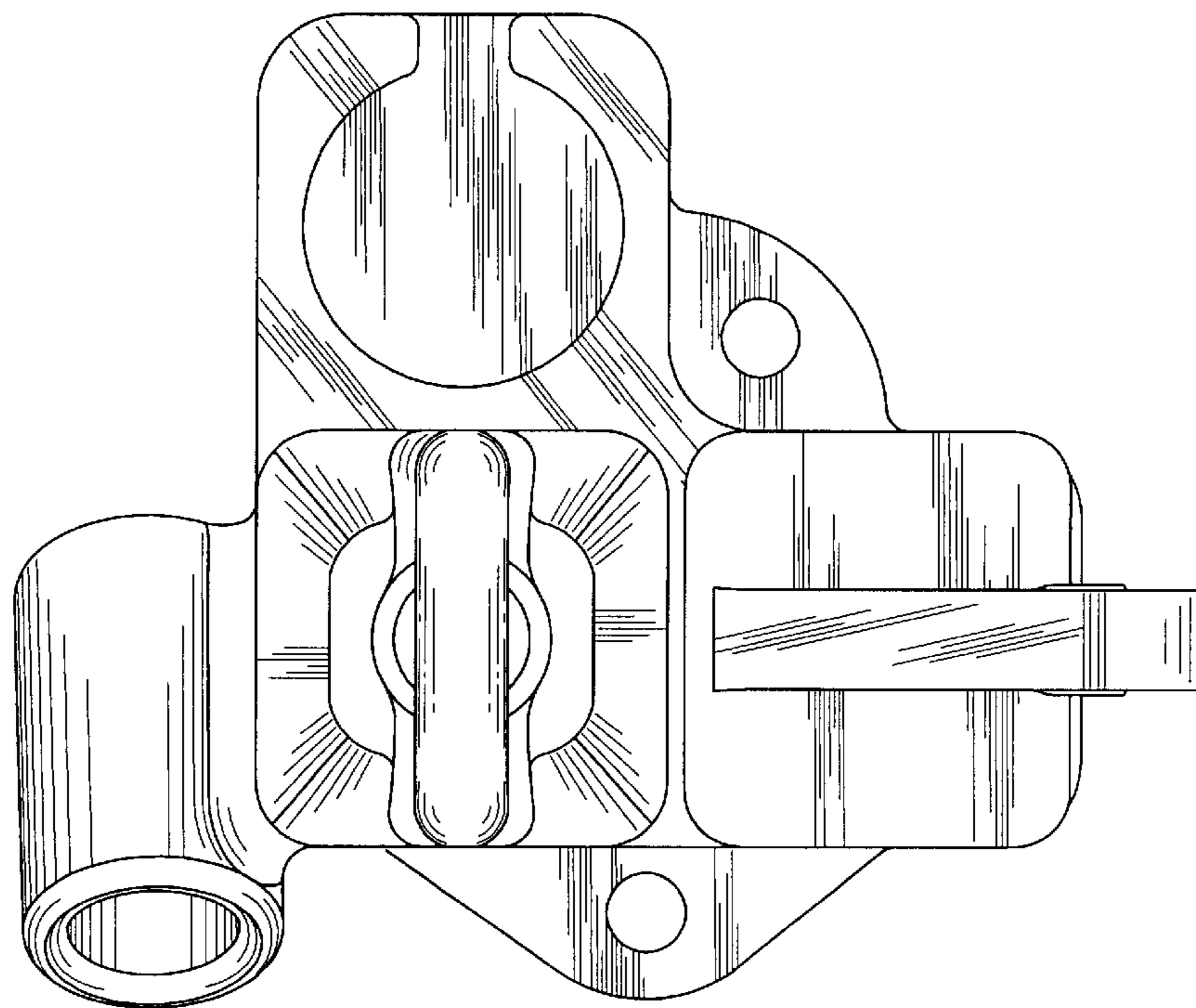


Fig. 4

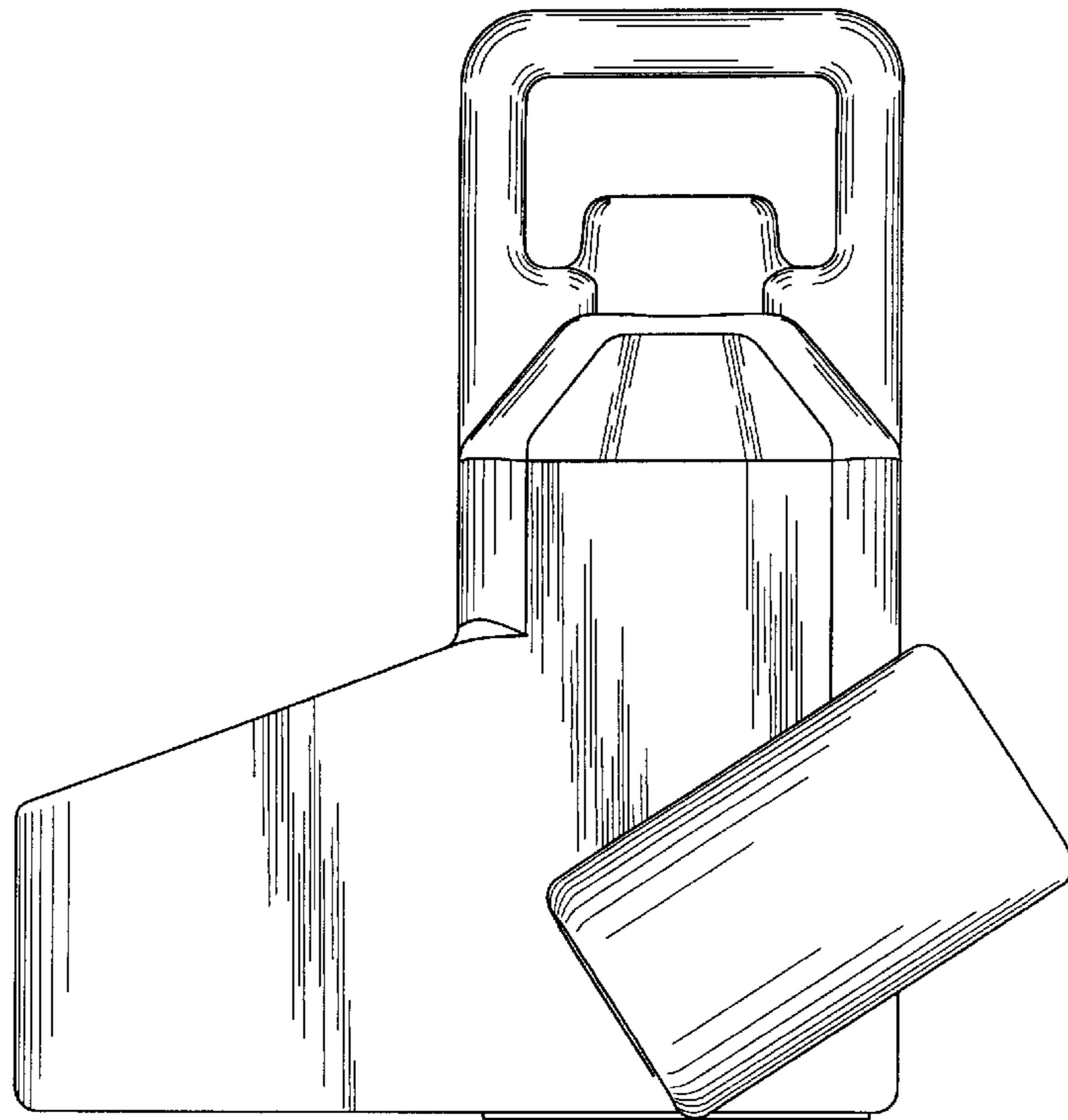


Fig. 5

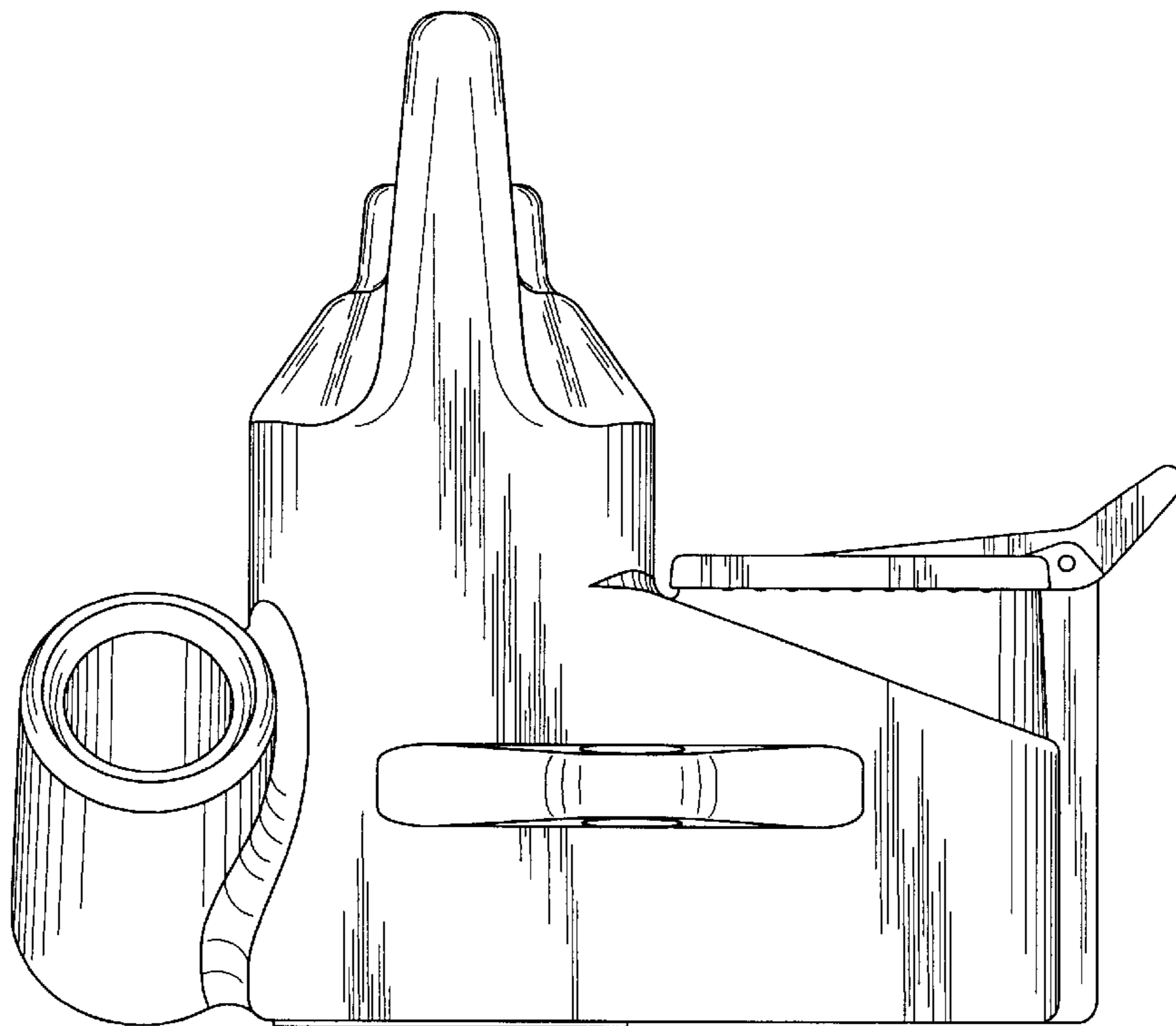


Fig. 6

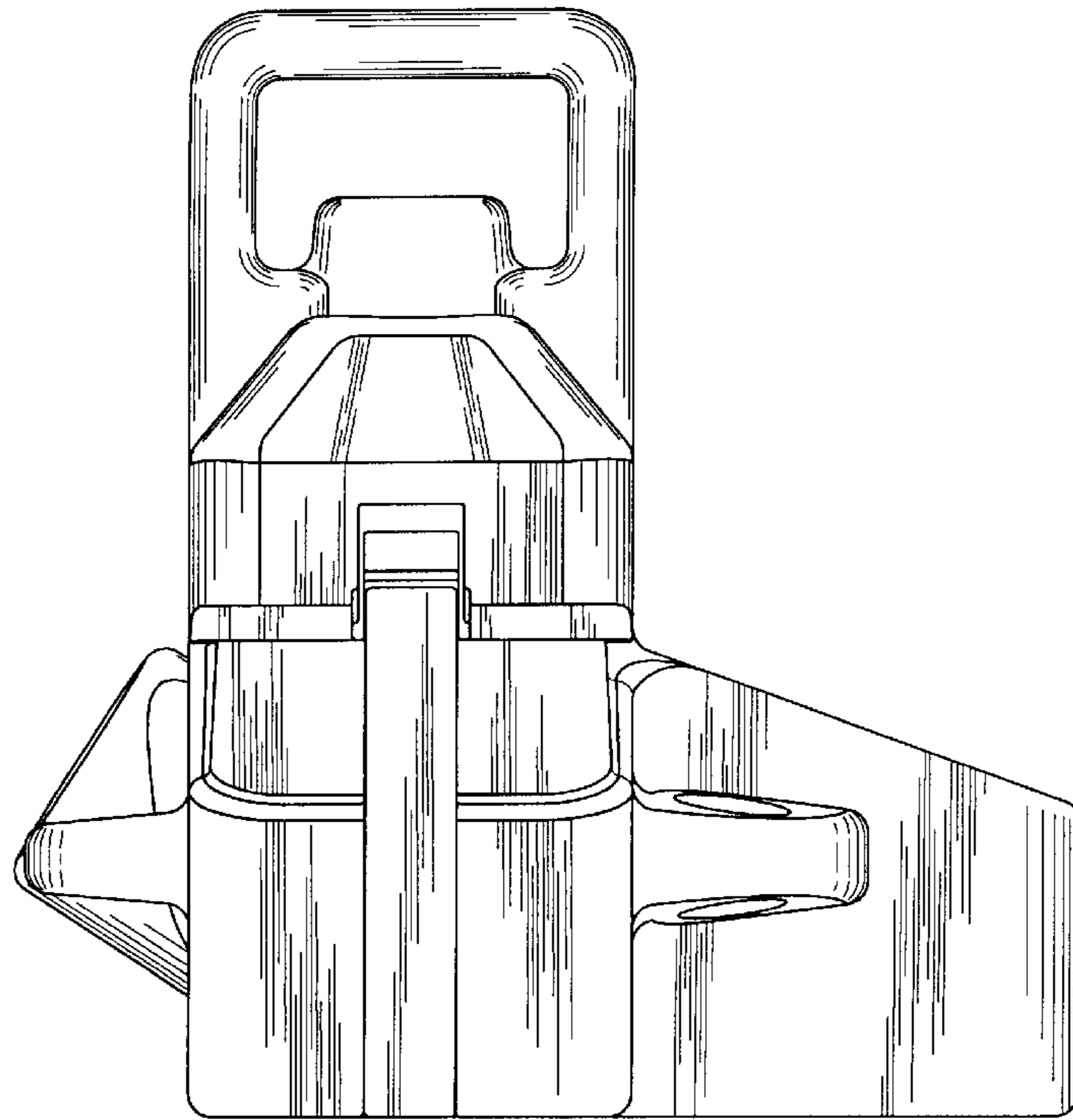


Fig. 7

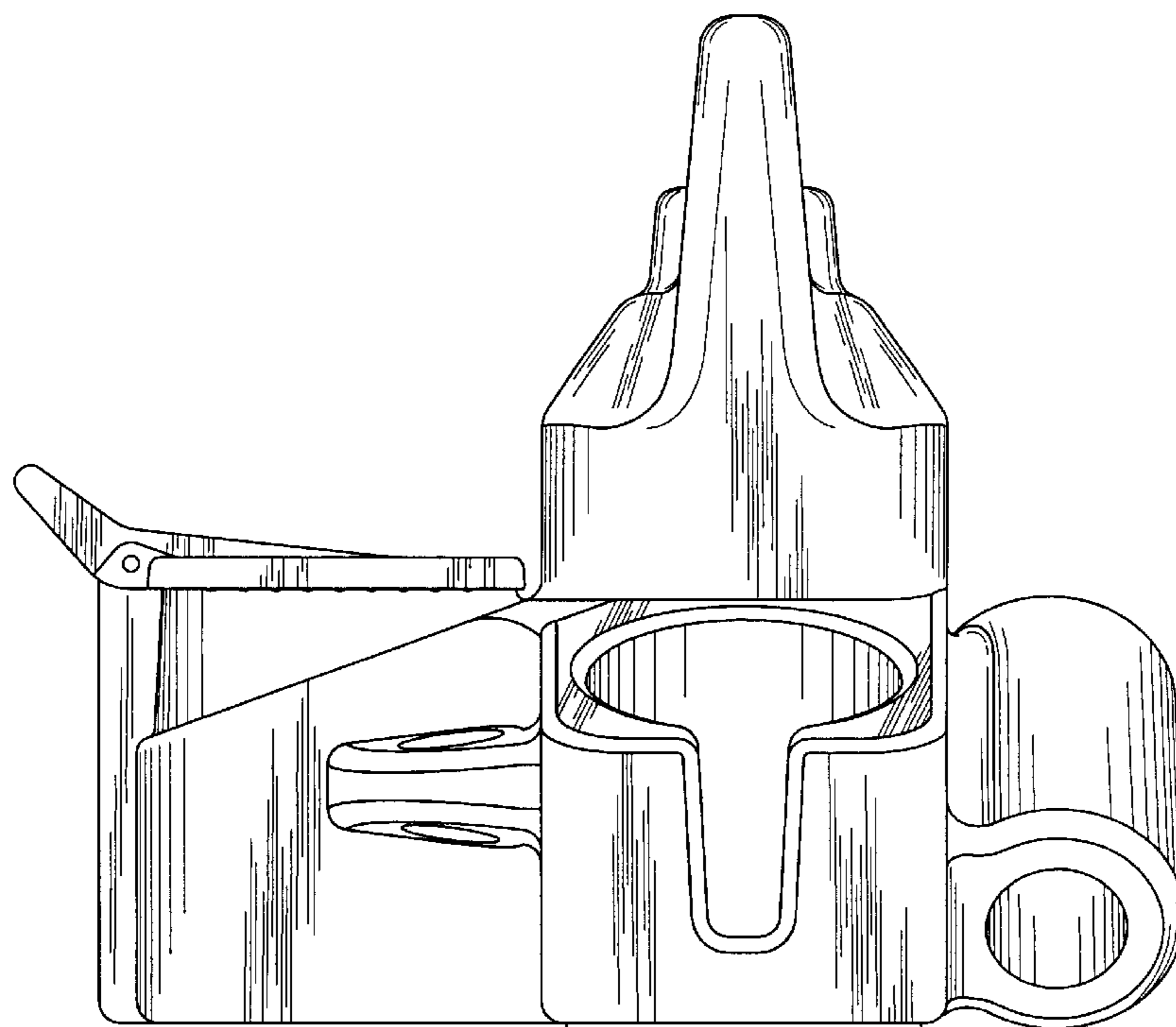


Fig. 8