



US00D513779S

(12) **United States Design Patent**
Zeilinger et al.

(10) **Patent No.:** **US D513,779 S**
(45) **Date of Patent:** **** Jan. 24, 2006**

- (54) **SLIDE**
 - (75) Inventors: **Brian K. Zeilinger**, Janesville, WI (US); **Richard R. Popp**, Beloit, WI (US)
 - (73) Assignee: **PlayStar, Inc.**, Janesville, WI (US)
 - (**) Term: **14 Years**
 - (21) Appl. No.: **29/215,086**
 - (22) Filed: **Oct. 13, 2004**
 - (51) **LOC (8) Cl.** **21-03**
 - (52) **U.S. Cl.** **D21/818**
 - (58) **Field of Classification Search** D21/811, D21/814, 818-827; 472/116, 117; 482/35, 482/36
- See application file for complete search history.

- D409,708 S 5/1999 Zeilinger
- D410,059 S 5/1999 Zeilinger
- D410,060 S 5/1999 Zeilinger
- 6,146,282 A 11/2000 McCready et al.
- D435,881 S * 1/2001 Gardner et al. D21/827
- D436,224 S * 1/2001 Gardner et al. D21/827
- D438,279 S * 2/2001 Robertson et al. D21/818
- 6,361,445 B1 3/2002 Zeilinger
- 6,482,095 B2 11/2002 Zeilinger
- D483,089 S * 12/2003 Johnson et al. D21/818

OTHER PUBLICATIONS

Green Scoop Slide (Manufacturer Unknown) (Date Unknown), pp. 1-4.
 Swing'N'Slide Slide (Date Unknown), pp. 1-5.
 Step 2 Slide pages "The Step 2 Company Brochure (1997), pp. 1-4".

* cited by examiner

Primary Examiner—Mitchell Siegel
 (74) *Attorney, Agent, or Firm*—Michael Best & Friedrich LLP

(56) **References Cited**

U.S. PATENT DOCUMENTS

- 790,613 A 5/1905 Boyle
- 2,095,494 A 10/1937 Dobbs
- 2,446,905 A 8/1948 Buffum
- D224,247 S * 7/1972 Janison D21/818
- 3,715,120 A 2/1973 Peltola
- 4,270,748 A 6/1981 Ray
- D260,543 S 9/1981 Ament et al.
- 4,343,464 A 8/1982 Dose
- 4,394,173 A 7/1983 Aste
- 4,805,898 A 2/1989 Jacober et al.
- 4,943,048 A 7/1990 Hentges
- D330,743 S 11/1992 Mercer
- D335,517 S 5/1993 Vatterot
- D336,674 S 6/1993 Baer
- D343,438 S * 1/1994 Fish, Jr. D21/818
- 5,407,393 A 4/1995 Schmidt
- 5,427,574 A 6/1995 Donnelly-Weide
- D371,414 S 7/1996 King
- D377,203 S 1/1997 Jaeb
- D384,722 S 10/1997 Siragusa, Jr. et al.
- D388,148 S 12/1997 Sutton et al.
- D392,363 S 3/1998 Jonas
- 5,779,553 A 7/1998 Langford
- D400,948 S * 11/1998 Fish et al. D21/818

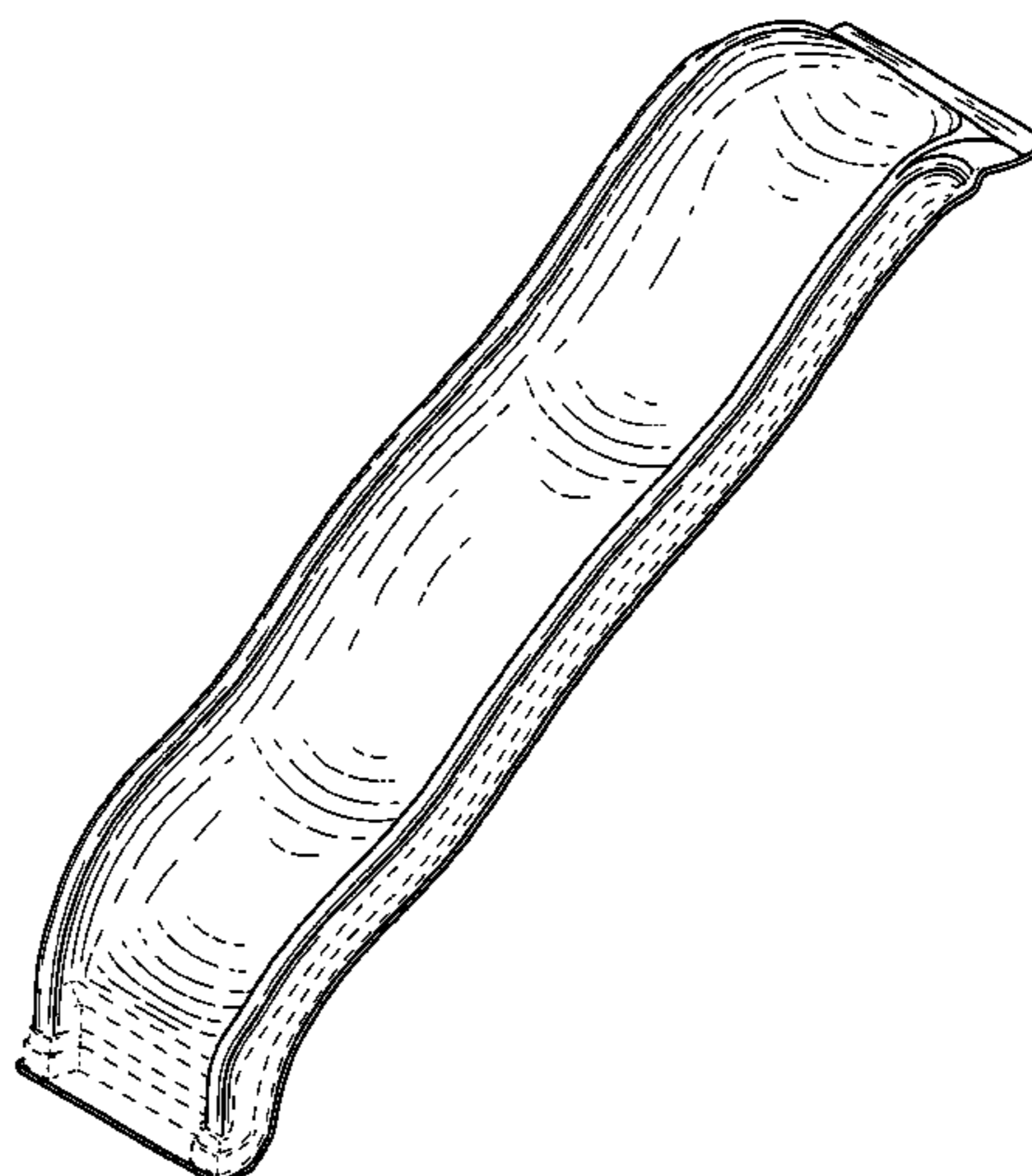
(57) **CLAIM**

We claim the ornamental design for a slide, as shown and described in the Figures.

DESCRIPTION

FIG. 1 is a front-side perspective view, taken from the left side, of a slide embodying the present invention.
 FIG. 2 is a front-side perspective view taken from the right side of the slide.
 FIG. 3 is a back-side perspective view taken from the left side of the slide.
 FIG. 4 is a bottom end view of the slide.
 FIG. 5 is a top end view of the slide.
 FIG. 6 is a front view of the slide; and,
 FIG. 7 is a left-side view of the slide.
 The portions of the slide shown in broken lines are for illustrative purposes only and form no part of the claimed design. The side view opposite FIG. 7 is a mirror image of FIG. 7 and is not shown.

1 Claim, 4 Drawing Sheets



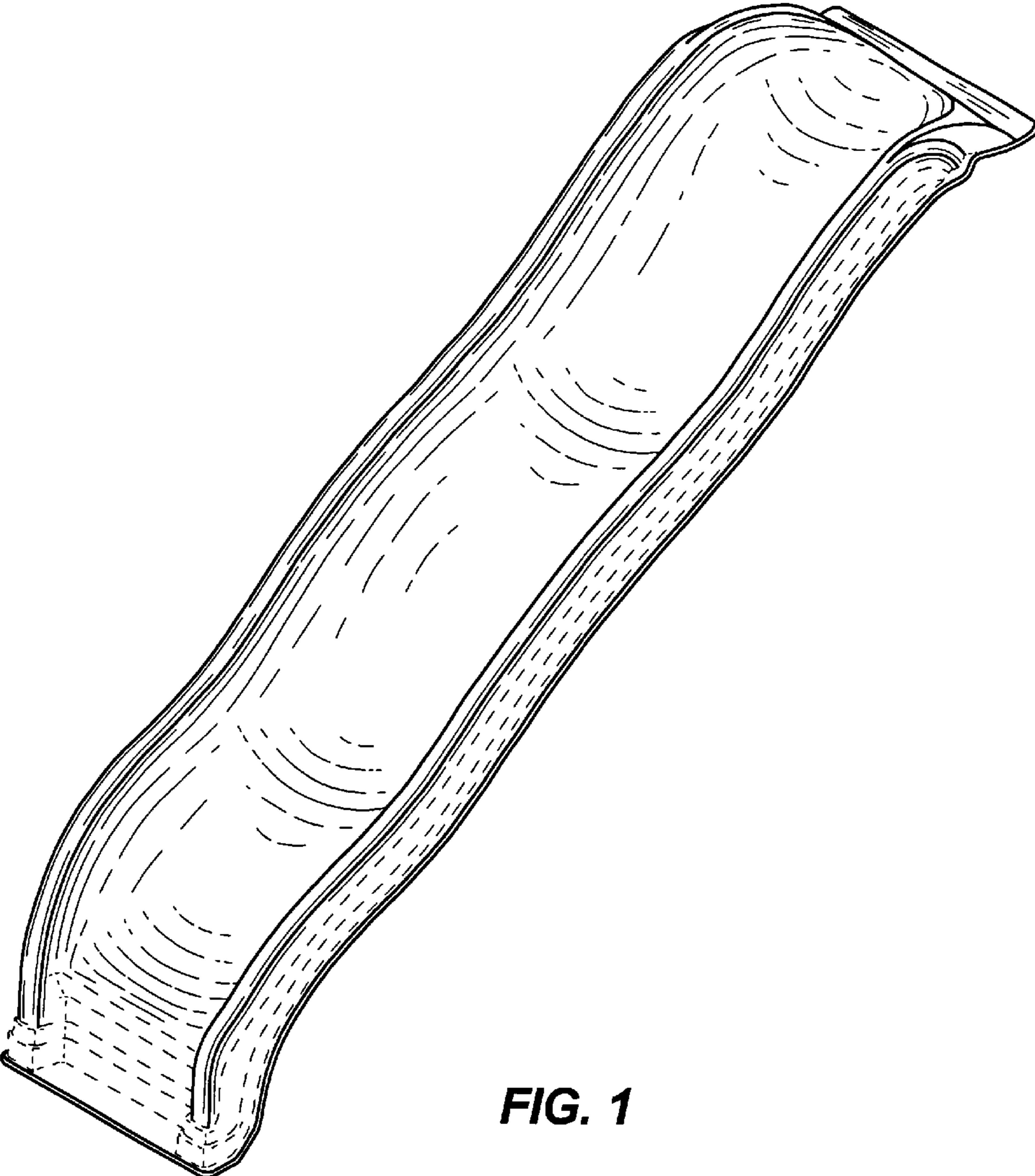


FIG. 1

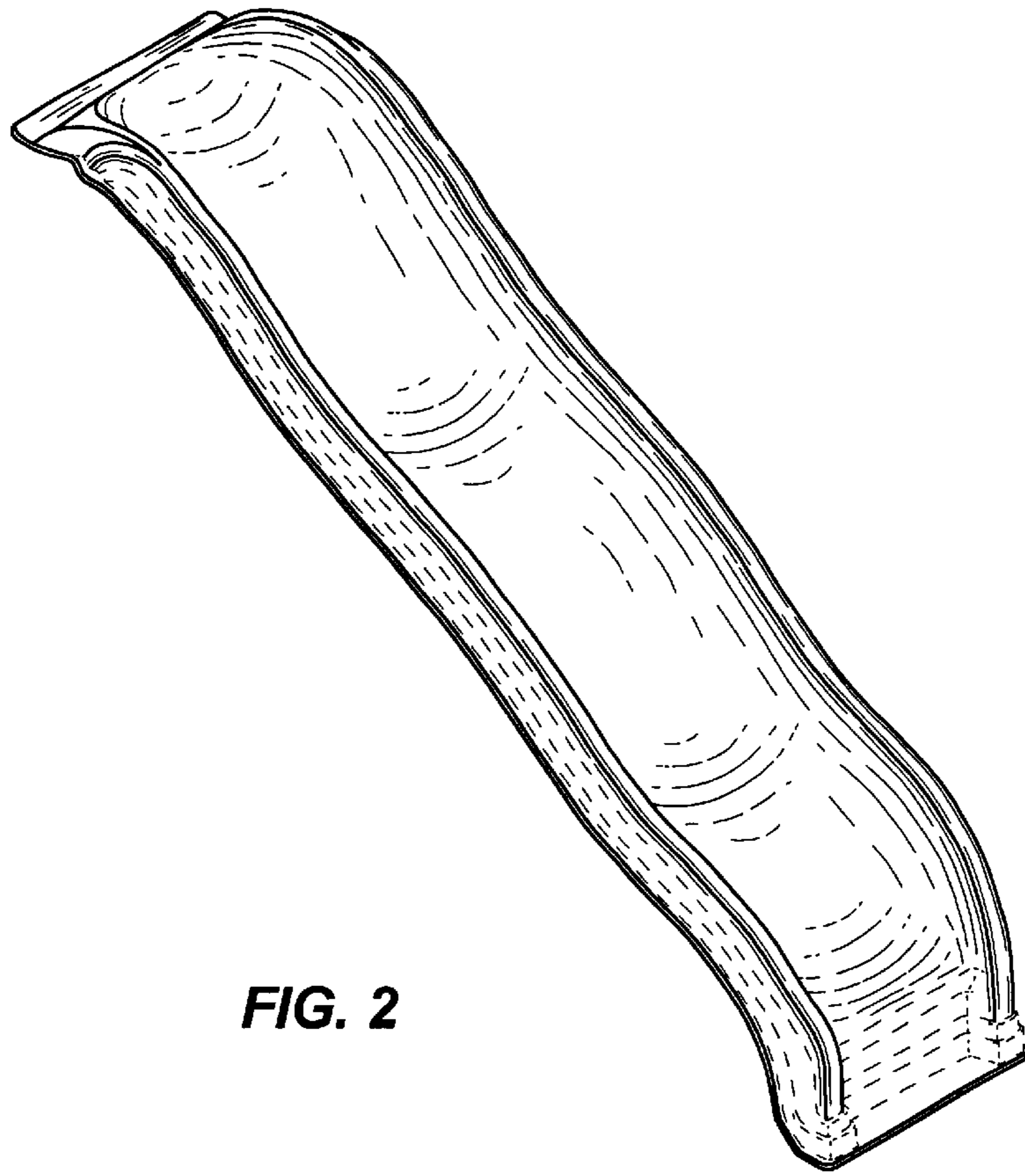


FIG. 2

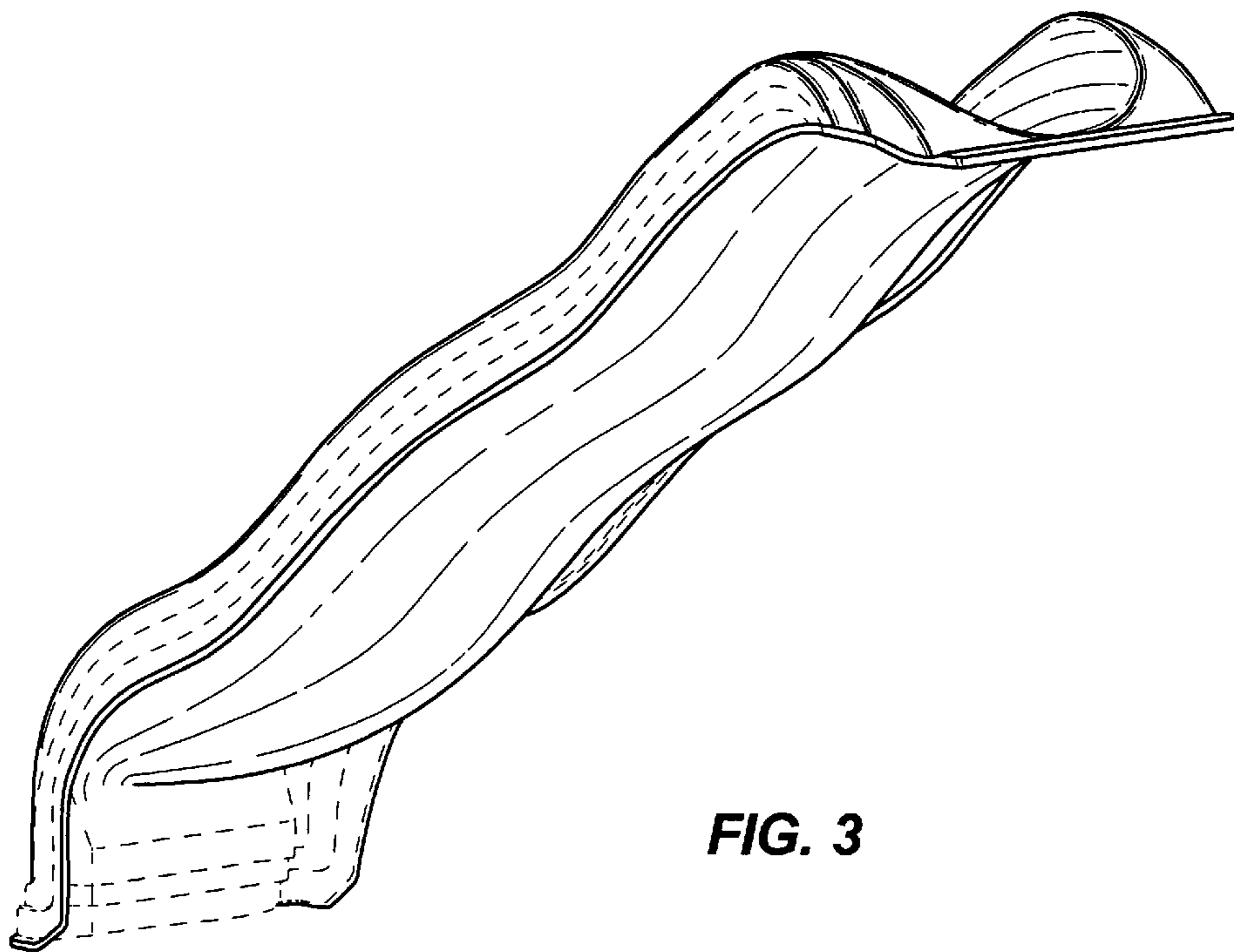


FIG. 3

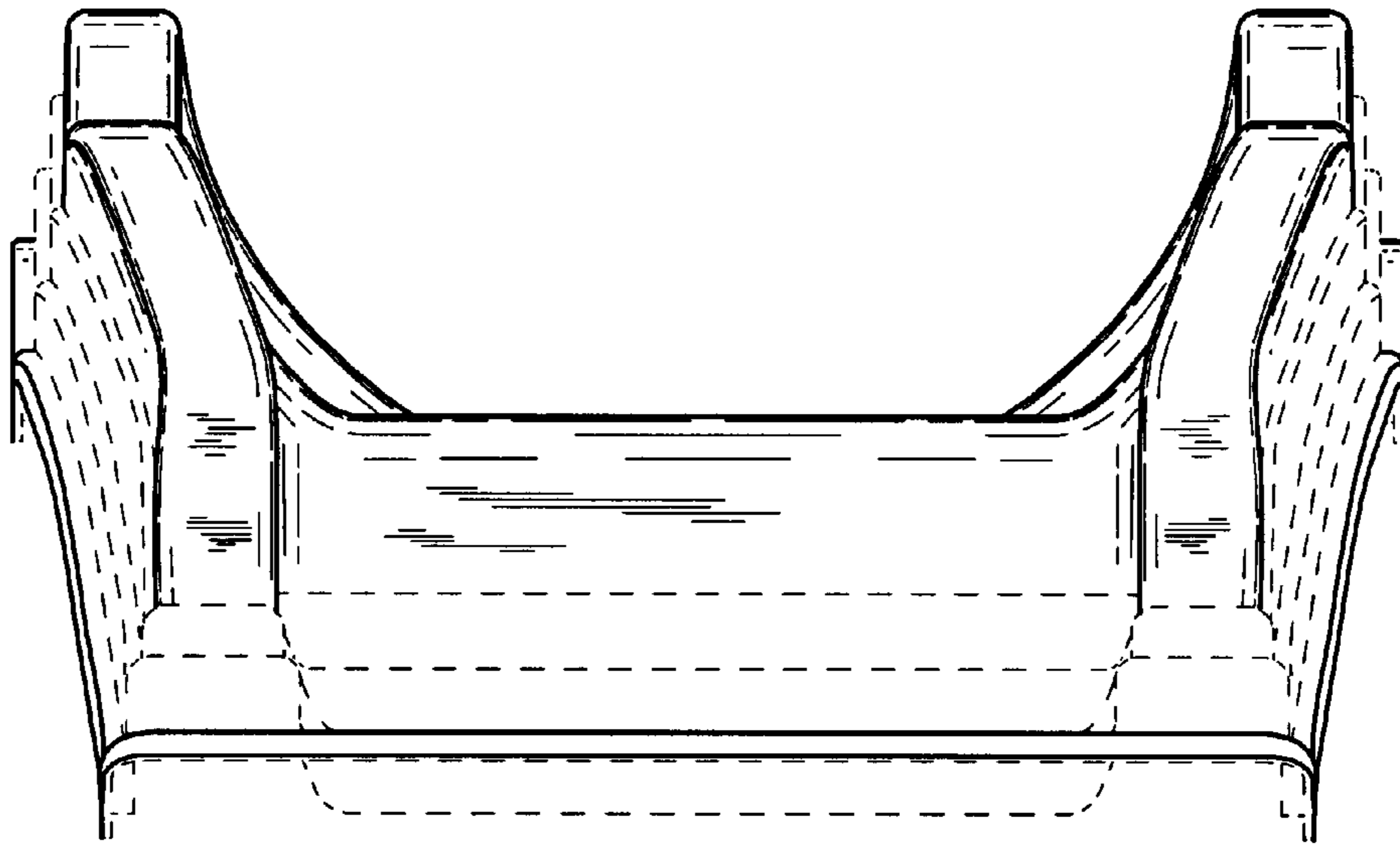


FIG. 4

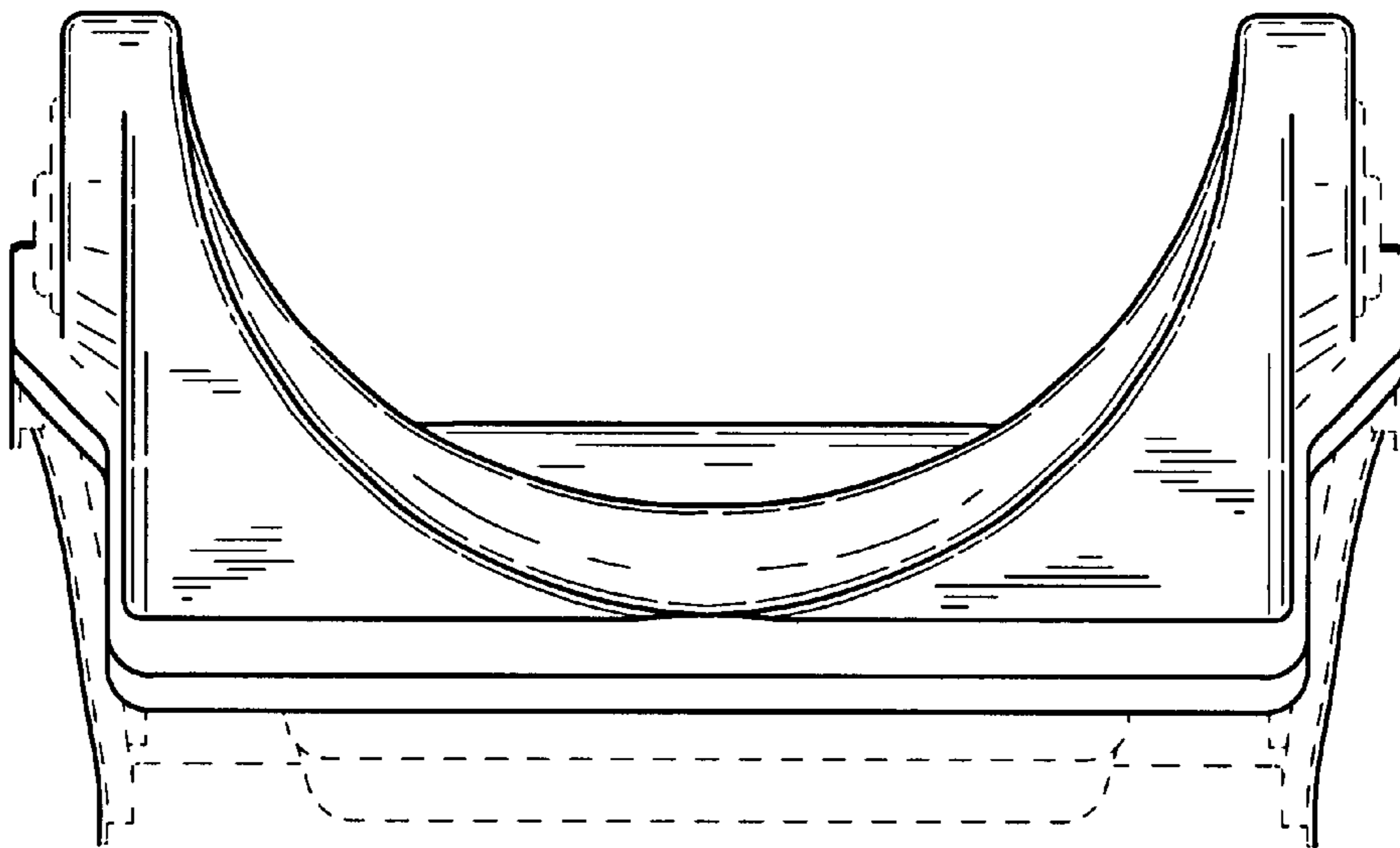


FIG. 5

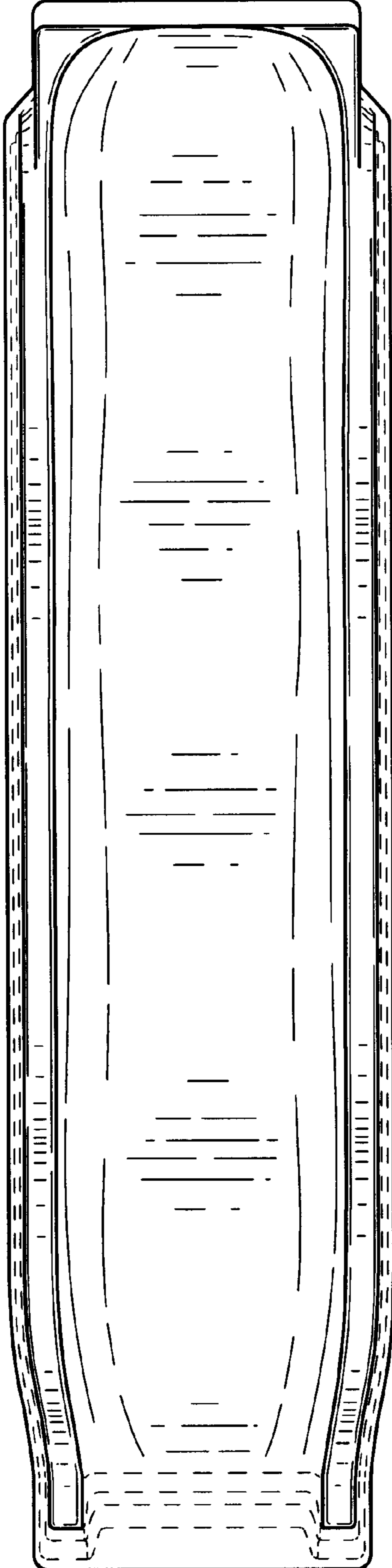


FIG. 6

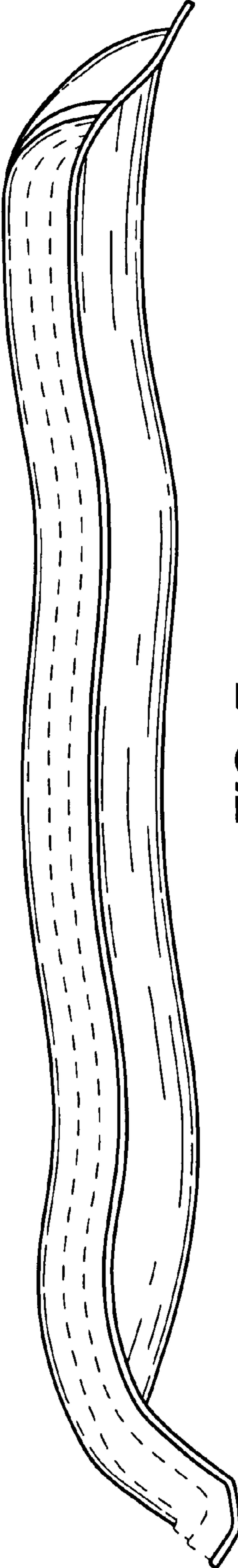


FIG. 7