



US00D513776S

(12) **United States Design Patent**
Grace

(10) **Patent No.:** **US D513,776 S**

(45) **Date of Patent:** **** Jan. 24, 2006**

(54) **PORTION OF A PUTTER HEAD**

(75) **Inventor:** **Robert M. Grace, St. Pete Beach, FL (US)**

(73) **Assignee:** **MacGregor Golf Company, Albany, GA (US)**

(**) **Term:** **14 Years**

(21) **Appl. No.:** **29/223,920**

(22) **Filed:** **Feb. 23, 2005**

(51) **LOC (8) Cl.** **21-02**

(52) **U.S. Cl.** **D21/736; D21/759; D21/738**

(58) **Field of Classification Search** **D21/736-746, D21/759; 473/324-331, 251-256, 242, 340, 473/341**

See application file for complete search history.

(56) **References Cited**

U.S. PATENT DOCUMENTS

D234,962 S	*	4/1975	Swash	D21/739
D244,303 S	*	5/1977	Cabot	D21/739
4,934,702 A	*	6/1990	Serizawa	473/251
D382,613 S	*	8/1997	Devendorf	D21/739
D389,539 S	*	1/1998	Moore	D21/739
D429,296 S	*	8/2000	Franzen	D21/743
D435,276 S	*	12/2000	Mantelli	D21/743

D461,860 S	*	8/2002	Tang	D21/742
D484,935 S	*	1/2004	Tang	D21/738
6,716,110 B1	*	4/2004	Ballow	473/242
D502,233 S	*	2/2005	Grace	D21/736
D502,234 S	*	2/2005	Grace	D21/736
D502,236 S	*	2/2005	Grace	D21/743

* cited by examiner

Primary Examiner—Mitchell Siegel

(74) *Attorney, Agent, or Firm*—Buchanan Ingersoll PC

(57) **CLAIM**

The ornamental design for a portion of a putter head, as shown and described.

DESCRIPTION

FIG. 1 is a top, side perspective view of a portion of a putter showing my new design.

FIG. 2 is a bottom, side perspective view thereof.

FIG. 3 is a top plan view thereof.

FIG. 4 is a bottom plan view thereof.

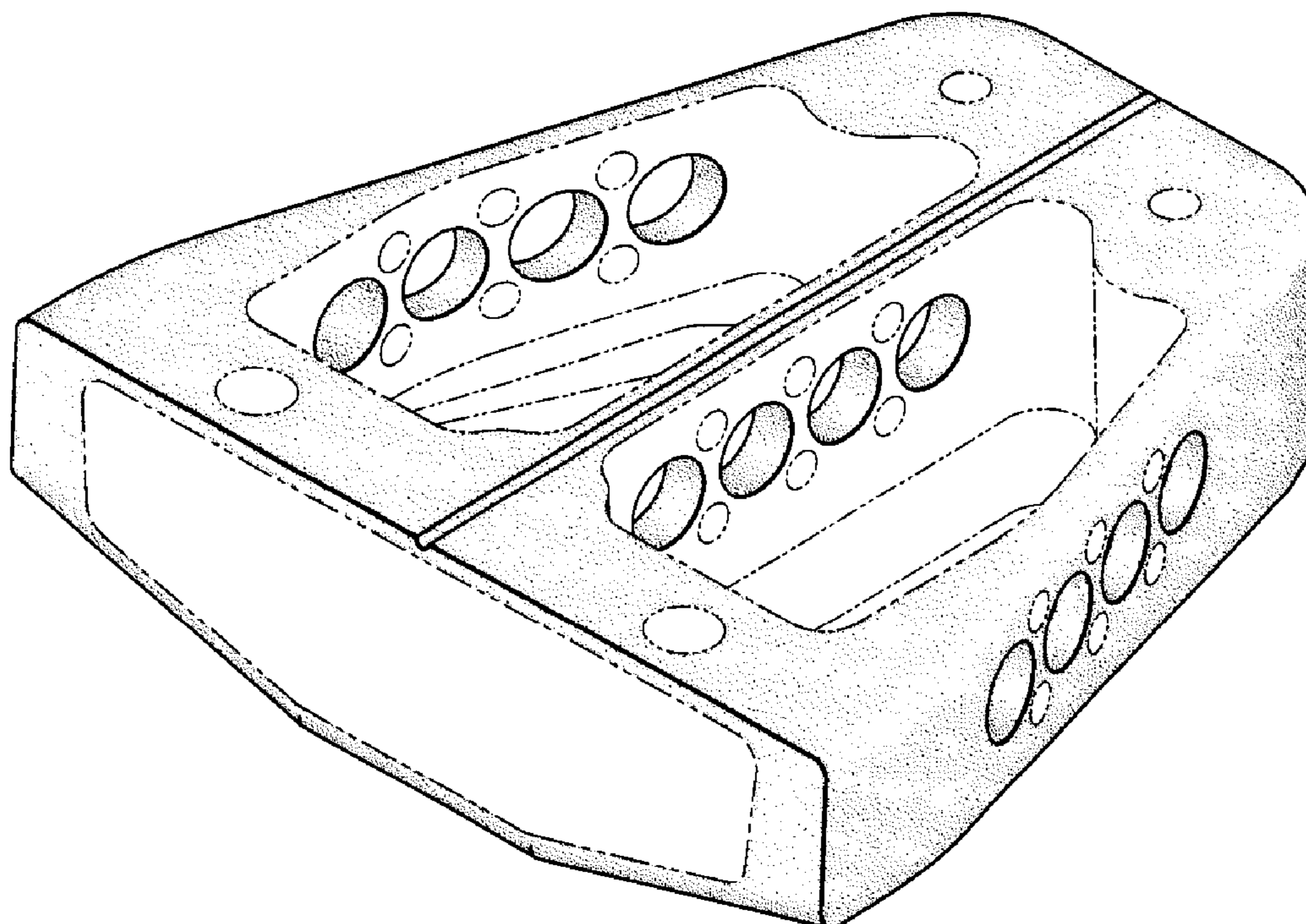
FIG. 5 is a rear elevational view thereof.

FIG. 6 is a front elevational view thereof; and,

FIG. 7 is a side elevational view thereof; the other side being a mirror image.

The broken line showing of various portions of the putter head is for illustrative purposes only and forms no part of the claimed design.

1 Claim, 4 Drawing Sheets



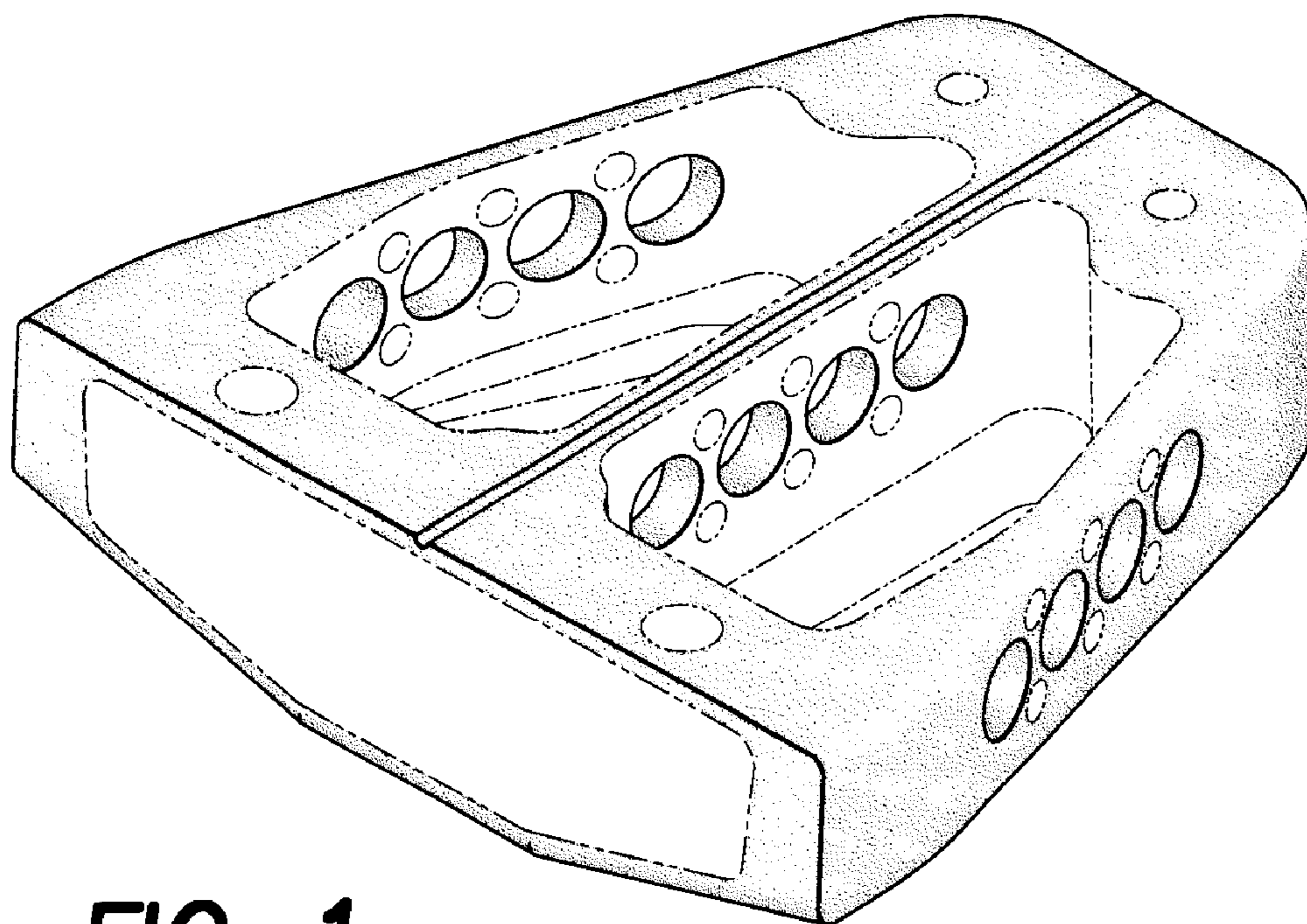


FIG. 1

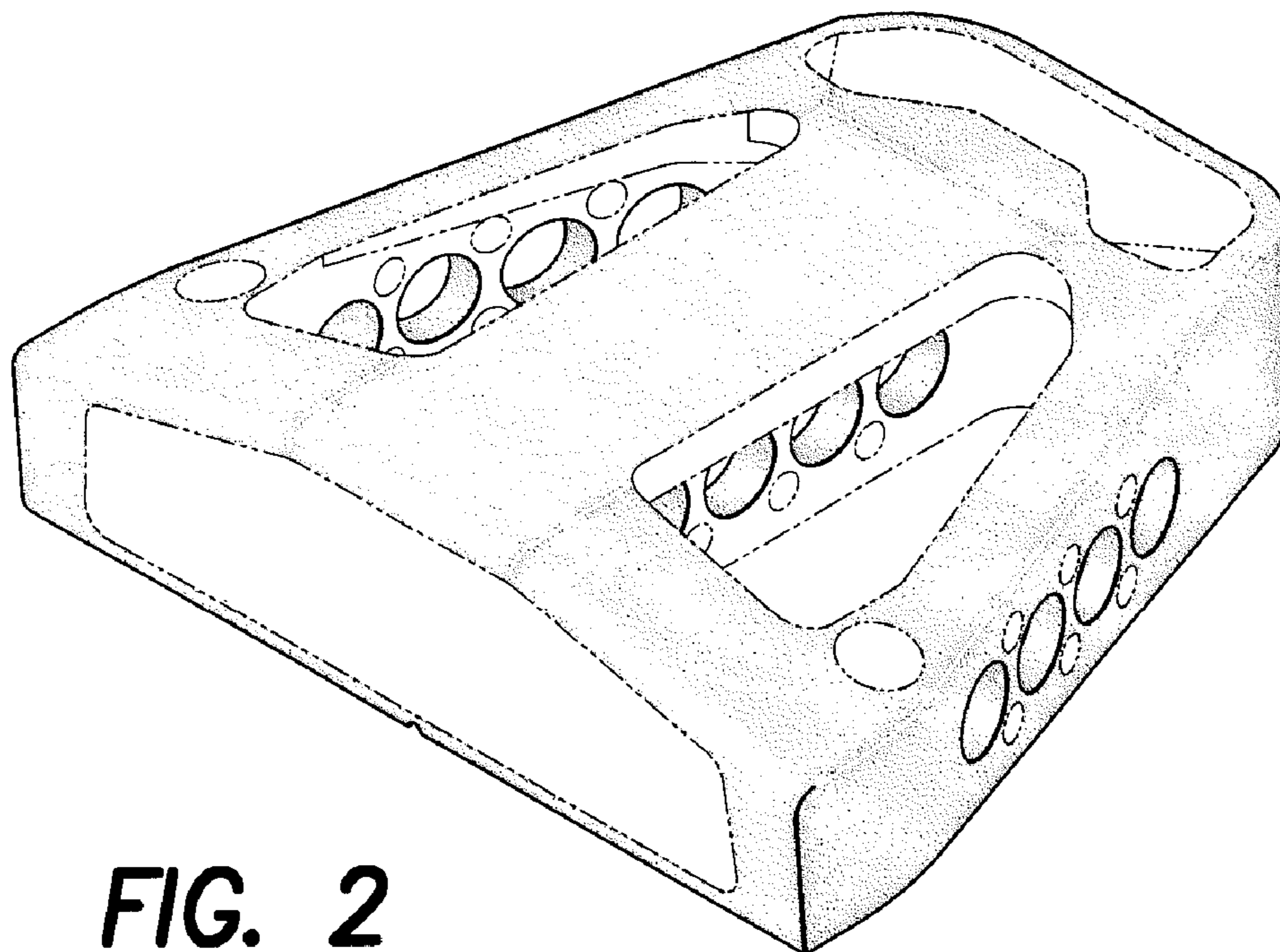


FIG. 2

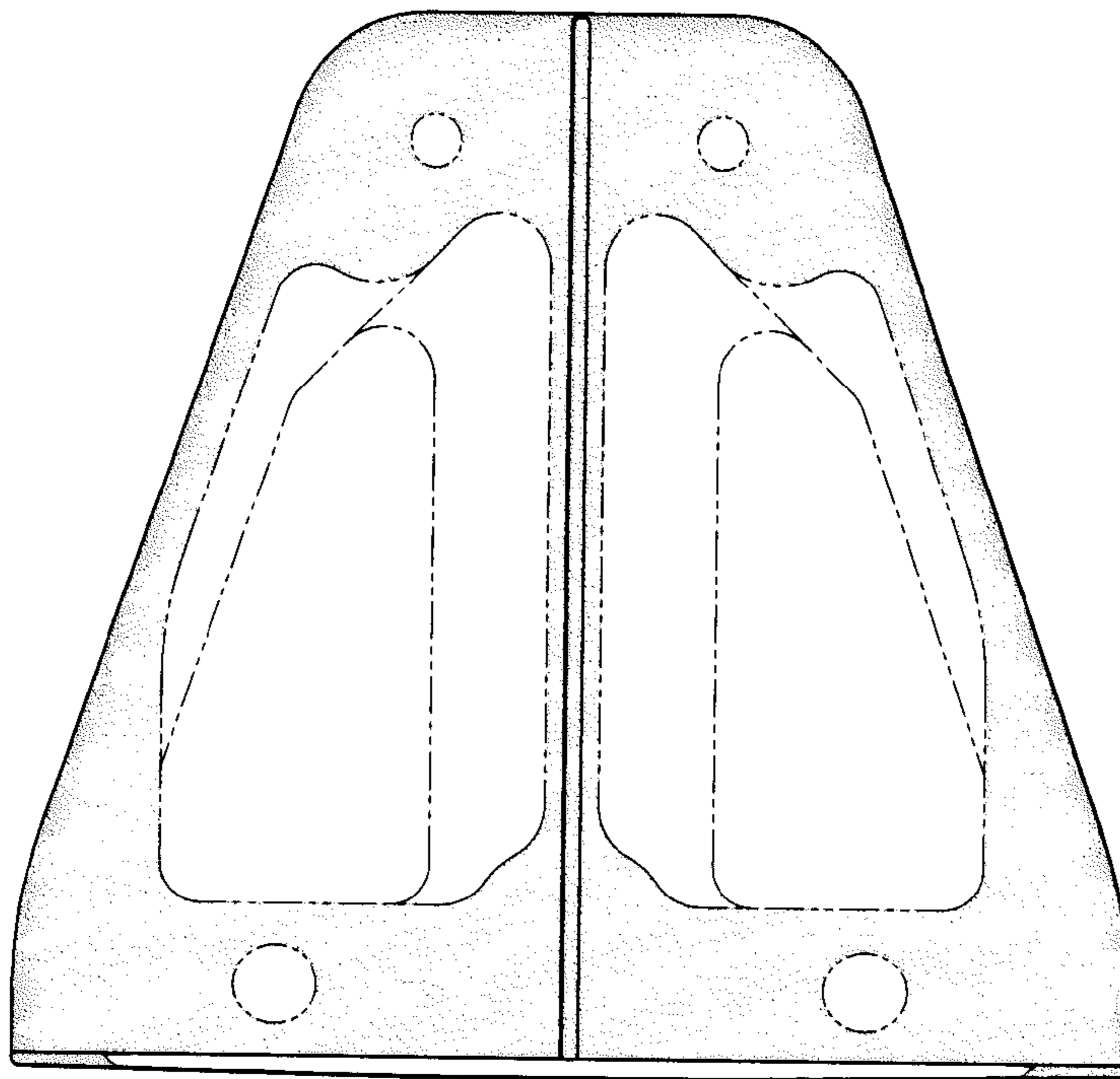


FIG. 3

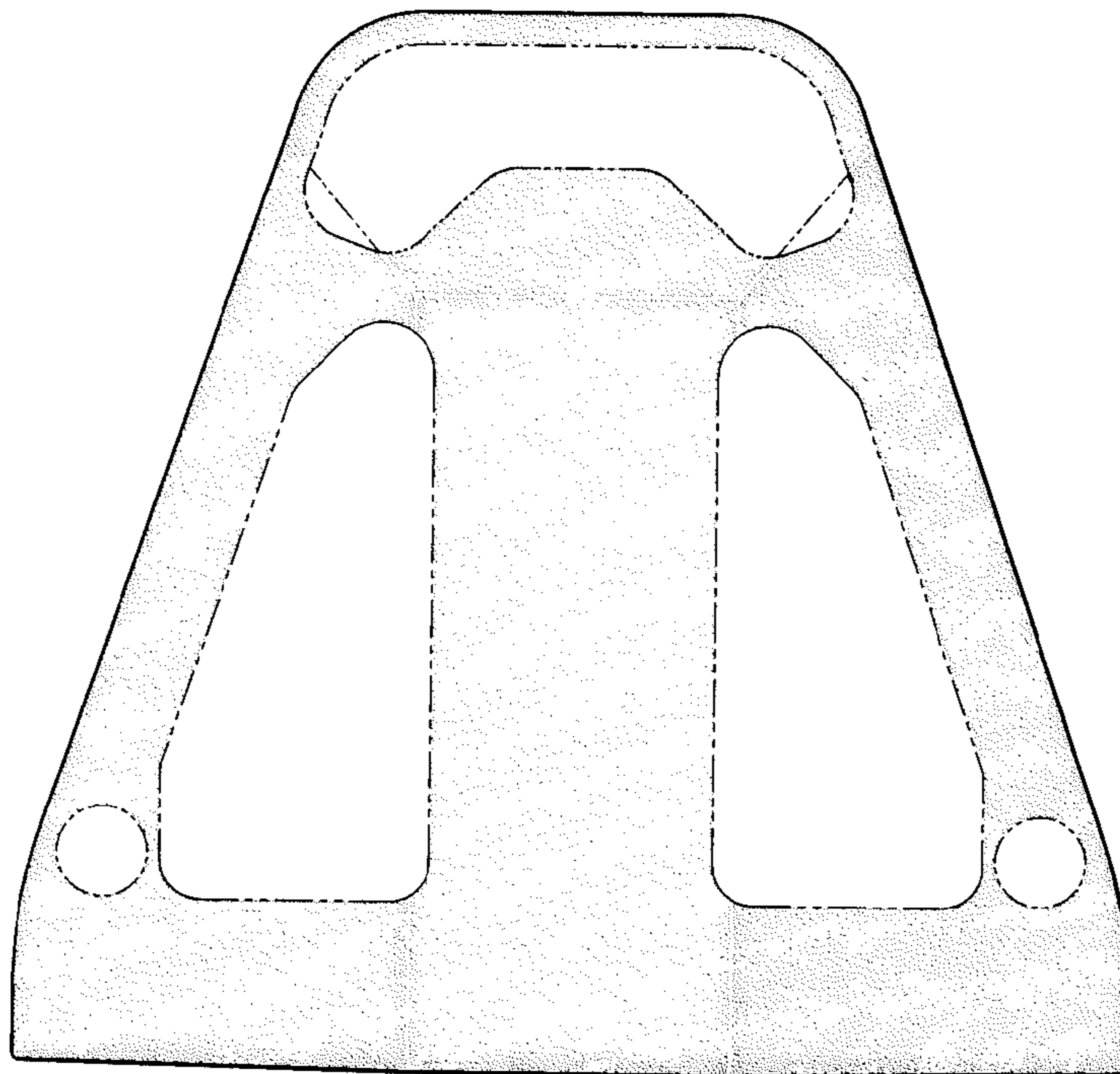


FIG. 4

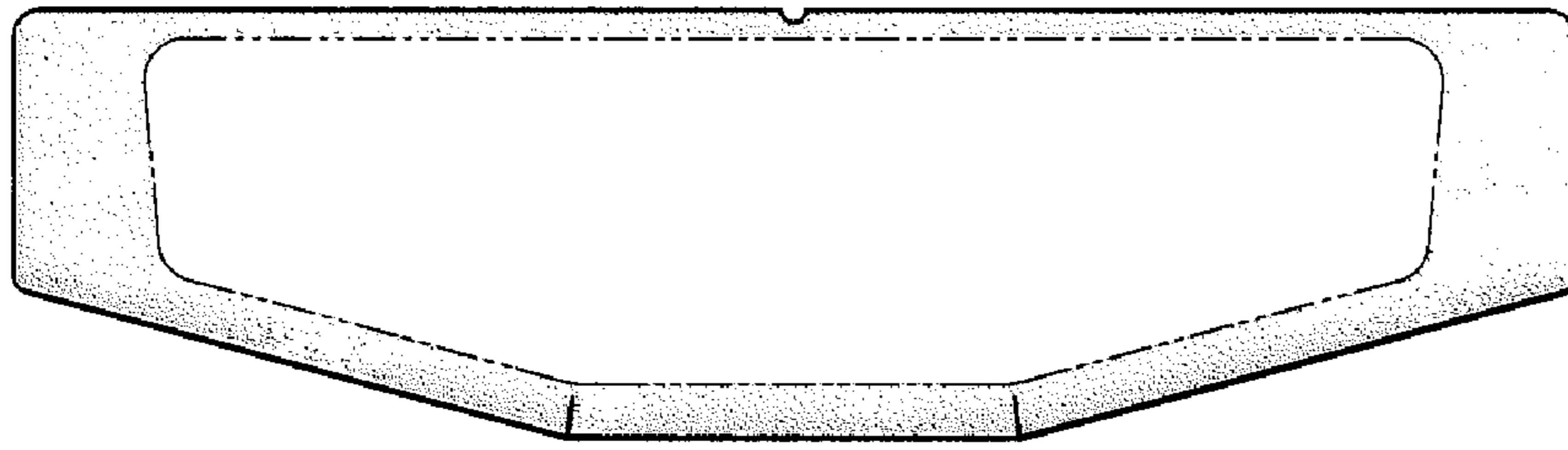


FIG. 5

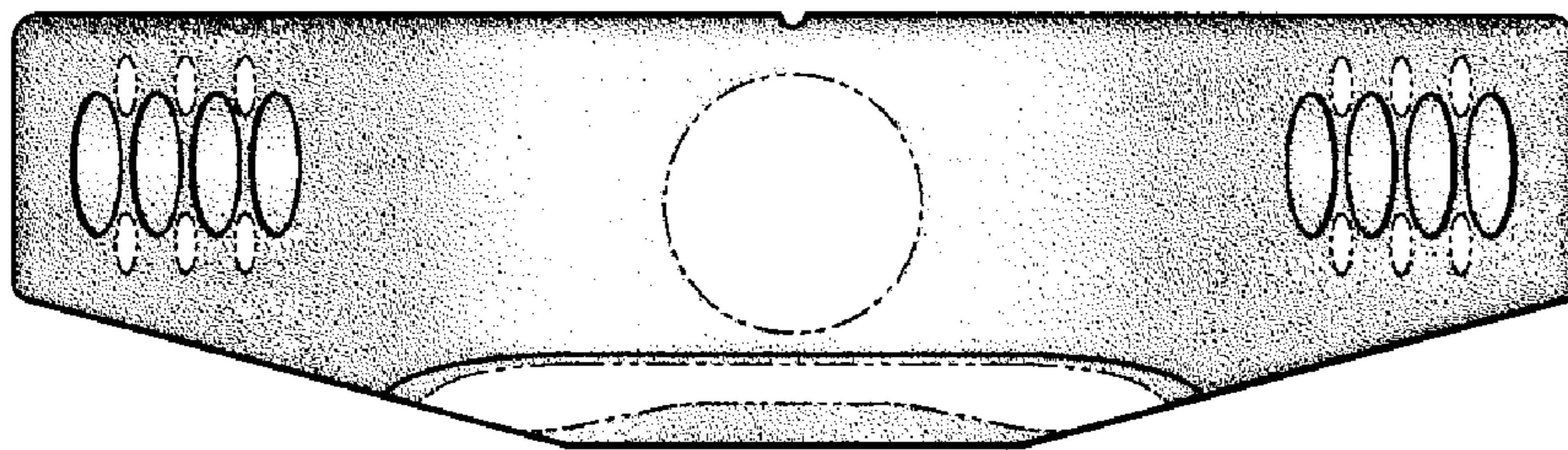


FIG. 6

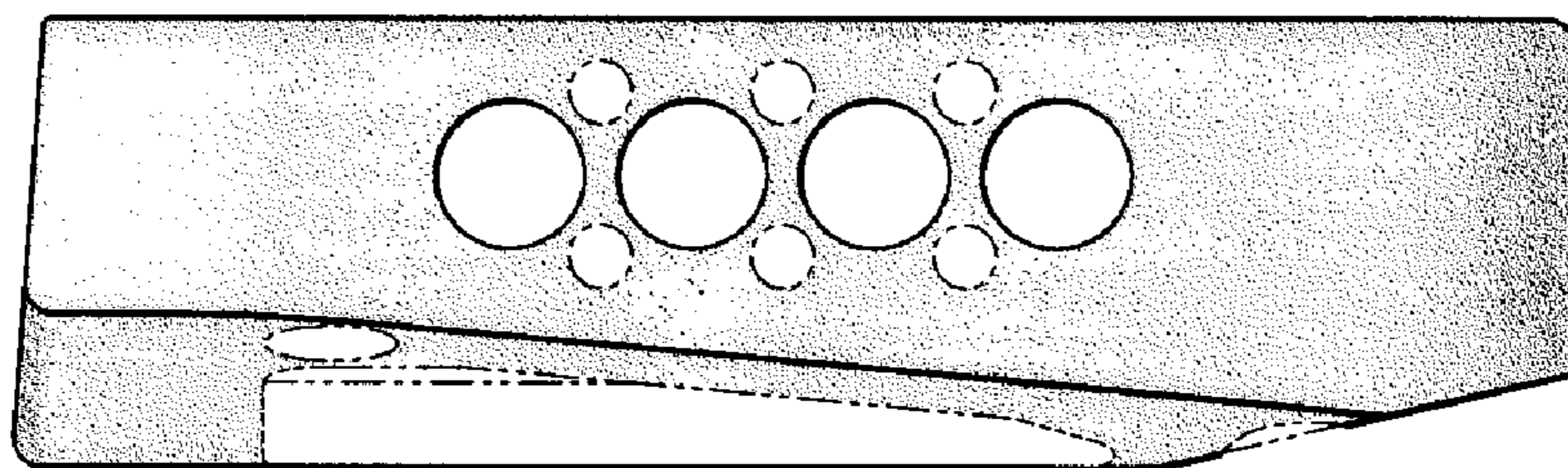


FIG. 7