



US00D513773S

(12) **United States Design Patent** (10) **Patent No.:** **US D513,773 S**  
**Orr** (45) **Date of Patent:** **\*\* Jan. 24, 2006**

(54) **SCOOP PAINTBALL MARKER WITH EXPOSED PNEUMATICS**  
(76) Inventor: **Jeffrey G. Orr**, 3379 Trinity Cir., Corona, CA (US) 92881  
(\*\*) Term: **14 Years**  
(21) Appl. No.: **29/211,524**  
(22) Filed: **Aug. 17, 2004**  
(51) **LOC (8) Cl.** ..... **21-01**  
(52) **U.S. Cl.** ..... **D21/573**  
(58) **Field of Classification Search** ..... D21/567, D21/570, 572-575; D22/100, 103, 104, 108, D22/109, 115; 124/56, 65, 70-74, 76, 77  
See application file for complete search history.

3,923,033 A 12/1975 Laporte et al. .... 124/8  
4,066,000 A 1/1978 Rostocil ..... 89/198  
4,133,128 A 1/1979 Brush ..... 42/70 R  
4,207,799 A 6/1980 Tocco ..... 89/196  
4,282,795 A 8/1981 Beretta ..... 89/148  
4,347,679 A 9/1982 Grunig et al. .... 42/84  
4,362,145 A 12/1982 Stelcher ..... 124/32  
4,516,273 A 5/1985 Gregory et al. .... 2/2  
4,589,327 A 5/1986 Smith ..... 89/148  
4,602,608 A 7/1986 Lacam et al. .... 124/74  
4,679,487 A 7/1987 Houseman ..... 89/140  
4,694,815 A 9/1987 Hung ..... 124/27  
4,770,153 A 9/1988 Edelman ..... 124/72  
4,779,245 A 10/1988 Chelminski ..... 367/144  
4,785,930 A 11/1988 Fischer et al. .... 206/3  
4,819,609 A 4/1989 Tippmann ..... 124/72  
4,899,717 A 2/1990 Rutten et al. .... 124/67  
4,936,282 A 6/1990 Dobbins et al. .... 124/74  
4,940,138 A 7/1990 Hornstein ..... 206/218  
D321,325 S 11/1991 Petrus ..... D9/435  
5,063,905 A 11/1991 Farrell ..... 124/72

(56) **References Cited**

**U.S. PATENT DOCUMENTS**

43,573 A 7/1864 Crane ..... 15/104.18  
57,846 A 9/1866 Bausman ..... 15/104.16  
143,139 A 9/1873 Gould ..... 15/104.16  
645,932 A 3/1900 Ferrant ..... 89/125  
1,167,178 A 1/1916 Hill ..... 124/56  
1,343,127 A 6/1920 Hallinan ..... 124/54  
1,743,576 A 1/1930 Smith ..... 124/72  
2,453,683 A 11/1948 Caldwell ..... 42/70  
2,484,267 A 10/1949 Bower  
2,550,887 A 5/1951 Tratsch ..... 124/1  
2,563,720 A 8/1951 Guisasola ..... 42/70  
2,568,432 A 9/1951 Cook  
2,834,332 A 5/1958 Guthrie  
2,845,055 A 7/1958 Collins et al.  
3,089,476 A 5/1963 Wolverton  
3,240,200 A 3/1966 Jones  
3,273,553 A 9/1966 Doyle ..... 124/3  
3,374,708 A 3/1968 Wall et al.  
3,494,344 A 2/1970 Vadas et al.  
3,548,708 A 12/1970 Hubigh ..... 89/1.818  
3,572,310 A 3/1971 Chiba  
3,695,246 A 10/1972 Filippi et al.  
3,818,887 A 6/1974 Akiyama et al.  
3,899,845 A 8/1975 Wild et al.  
D237,678 S 11/1975 Spencer

**FOREIGN PATENT DOCUMENTS**

DE 19518884 6/1994

(Continued)

*Primary Examiner*—Holly Baynham  
*Assistant Examiner*—Cynthia M. Chin  
(74) *Attorney, Agent, or Firm*—Keisling Pieper & Scott PLC; David B. Pieper; Treut C. Keisling

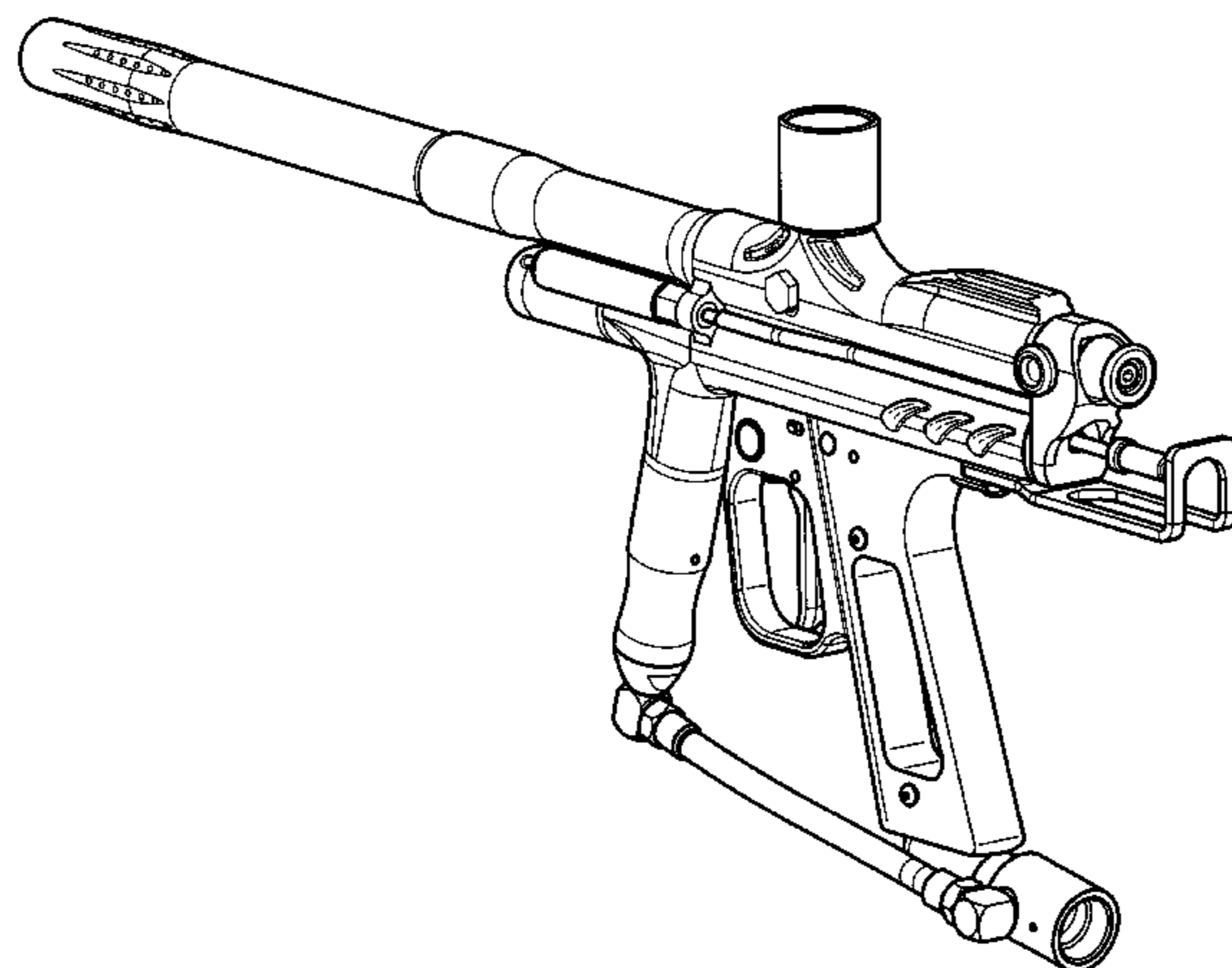
(57) **CLAIM**

The ornamental design for a scoop paintball marker with exposed pneumatics, as shown and described.

**DESCRIPTION**

FIG. 1 is an isometric view of a scoop paintball marker with exposed pneumatics showing my new design;  
FIG. 2 is a top plan view thereof;  
FIG. 3 is a front elevational view thereof;  
FIG. 4 is a left side elevational view thereof;  
FIG. 5 is a back elevational view thereof;  
FIG. 6 is a right elevational view thereof; and,  
FIG. 7 is a bottom plan view thereof.

**1 Claim, 7 Drawing Sheets**



U.S. PATENT DOCUMENTS

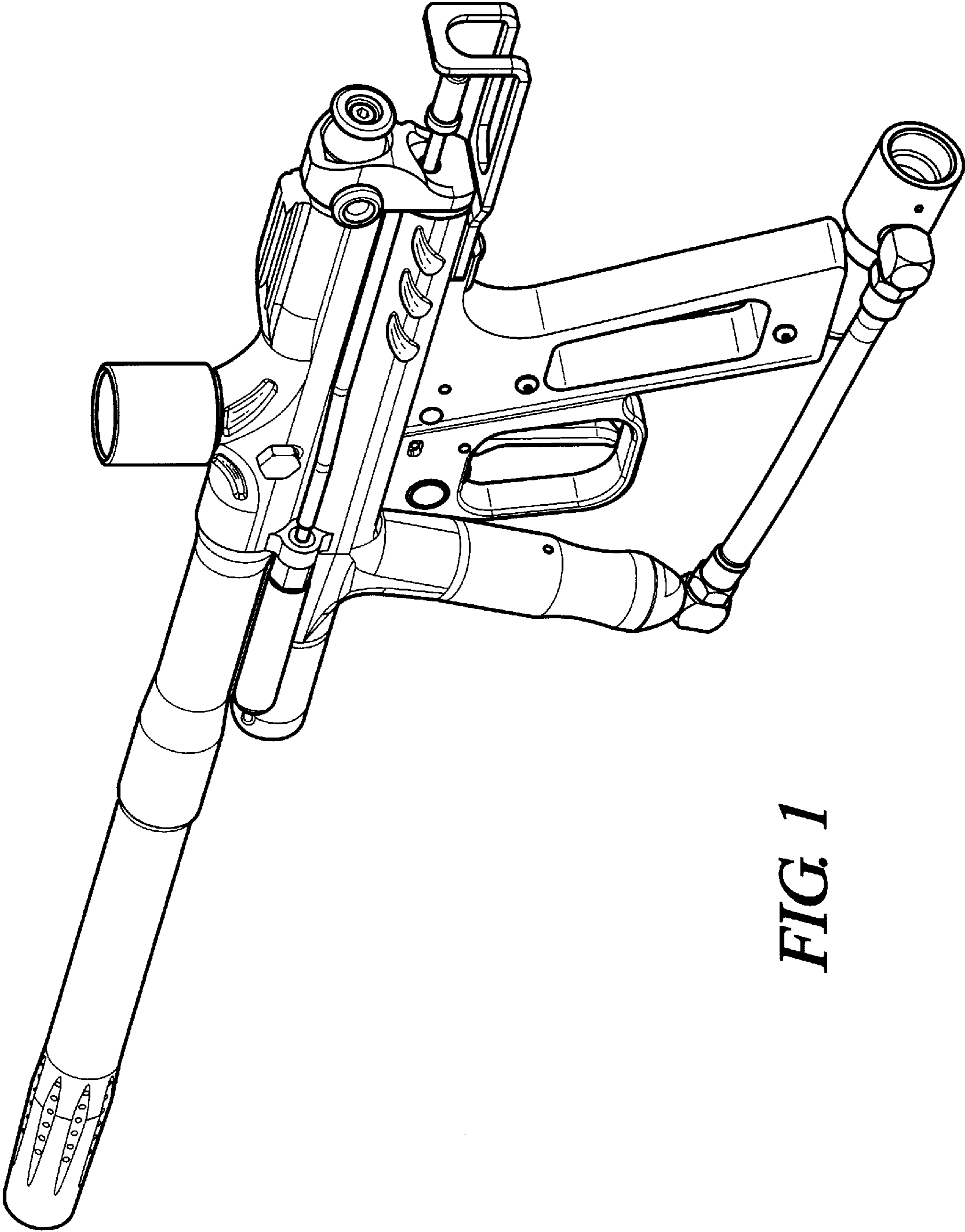
5,068,990 A 12/1991 Marzocco ..... 42/70.04  
 5,078,118 A 1/1992 Perrone ..... 124/74  
 5,149,898 A 9/1992 Chesnut et al. .... 42/69.01  
 5,228,427 A 7/1993 Gardner, Jr. .... 124/71  
 5,251,533 A 10/1993 Layton ..... 89/142  
 5,261,384 A 11/1993 Hu ..... 124/66  
 5,280,778 A 1/1994 Kotsiopoulos ..... 124/73  
 5,282,454 A 2/1994 Bell et al. .... 124/49  
 5,293,708 A 3/1994 Strayer et al. .... 42/75.03  
 5,349,939 A 9/1994 Perrone ..... 124/76  
 5,363,834 A 11/1994 Stuchlik ..... 124/76  
 5,370,105 A 12/1994 Firman ..... 124/56  
 5,413,083 A 5/1995 Jones ..... 124/32  
 5,462,042 A 10/1995 Grenwell ..... 124/76  
 D366,514 S 1/1996 Hochstrate et al. .... D22/108  
 5,503,137 A 4/1996 Fusco ..... 124/72  
 5,596,162 A 1/1997 Burns ..... 89/128  
 5,613,483 A 3/1997 Lukas et al. .... 124/73  
 5,634,456 A 6/1997 Perrone ..... 124/76  
 5,635,663 A 6/1997 Krieger et al. .... 89/142  
 5,718,074 A 2/1998 Keeney ..... 42/69.03  
 D393,115 S 3/1998 Bell et al. .... D32/35  
 5,727,538 A 3/1998 Ellis ..... 124/77  
 5,736,720 A 4/1998 Bell et al. .... 235/1  
 5,755,213 A 5/1998 Gardner, Jr. et al. .... 124/73  
 5,760,328 A 6/1998 Robbins ..... 89/129.02  
 5,799,434 A 9/1998 Krieger et al. .... 42/69.03  
 5,816,232 A 10/1998 Bell ..... 124/51.1  
 5,868,637 A 2/1999 Poxon ..... 473/469  
 5,878,736 A 3/1999 Lotuaco, III ..... 124/71  
 5,881,707 A 3/1999 Gardner, Jr. .... 124/77  
 5,890,479 A 4/1999 Morin ..... 124/31  
 5,913,303 A 6/1999 Kotsiopoulos ..... 124/31  
 5,950,611 A \* 9/1999 Lopez et al. .... 124/72  
 5,957,119 A 9/1999 Perry et al. .... 124/73  
 5,967,133 A 10/1999 Gardner, Jr. .... 124/77  
 6,003,504 A 12/1999 Rice et al. .... 124/73  
 6,015,058 A 1/2000 Parks ..... 220/229  
 6,035,843 A 3/2000 Smith et al. .... 124/77  
 6,048,280 A 4/2000 Palmer et al. .... 473/416  
 6,055,975 A 5/2000 Gallagher et al. .... 124/50  
 6,065,460 A 5/2000 Lotuaco, III ..... 124/72  
 6,138,656 A 10/2000 Rice et al. .... 124/73  
 6,142,137 A 11/2000 MacLaughlin ..... 124/72  
 6,212,812 B1 4/2001 Aigner ..... 42/70.06  
 6,223,460 B1 5/2001 Schmitter et al. .... 42/70.06  
 6,256,917 B1 7/2001 Findlay ..... 42/70.06  
 6,260,821 B1 7/2001 Perry et al. .... 251/314  
 6,311,682 B1 11/2001 Rice et al. .... 124/71  
 D451,977 S \* 12/2001 Urbano ..... D21/572  
 6,349,711 B1 2/2002 Perry et al. .... 124/73  
 D454,685 S 3/2002 Parks et al. .... D3/254

6,382,200 B1 5/2002 Levkov ..... 124/73  
 D458,333 S 6/2002 Power ..... D22/108  
 D460,502 S 7/2002 Traum et al. .... D21/573  
 6,439,217 B1 8/2002 Shih ..... 124/77  
 6,474,325 B2 11/2002 Rice et al. .... 124/71  
 6,474,326 B1 11/2002 Smith et al. .... 124/77  
 6,494,194 B2 12/2002 Shipachev et al. .... 124/73  
 6,494,195 B2 12/2002 Perry et al. .... 124/84  
 6,532,949 B1 3/2003 McKendrick ..... 124/77  
 D473,910 S 4/2003 Rice et al. .... D22/108  
 6,550,468 B1 4/2003 Tippmann, Jr. .... 124/71  
 6,553,983 B1 4/2003 Li ..... 124/73  
 6,578,566 B2 6/2003 Hernandez ..... 124/73  
 6,590,386 B1 7/2003 Williams ..... 324/178  
 6,615,814 B1 9/2003 Rice et al. .... 124/71  
 6,626,165 B1 9/2003 Bhogal ..... 124/77  
 6,629,379 B1 10/2003 Doiron ..... 42/70.11  
 6,637,420 B2 10/2003 Moritz ..... 124/73  
 6,637,421 B2 10/2003 Smith et al. .... 124/77  
 D482,081 S \* 11/2003 Chang ..... D21/573  
 D482,082 S \* 11/2003 Chang ..... D21/573  
 D482,743 S \* 11/2003 Chang ..... D21/573  
 6,644,295 B2 11/2003 Jones ..... 124/77  
 6,644,296 B2 11/2003 Gardner, Jr. .... 124/77  
 6,658,982 B2 12/2003 Cherry ..... 89/1.42  
 D484,926 S 1/2004 Rice et al. .... D21/573  
 6,694,963 B1 2/2004 Taylor ..... 124/32  
 6,705,036 B2 3/2004 Orr ..... 42/69.01  
 6,725,852 B1 4/2004 Yokota et al. .... 124/49  
 6,729,497 B2 5/2004 Rice et al. .... 220/835  
 6,739,322 B2 5/2004 Rice et al. .... 124/49  
 6,748,938 B2 6/2004 Rice et al. .... 124/77  
 6,763,822 B1 7/2004 Styles ..... 124/77  
 D496,556 S 9/2004 Skrocki et al. .... D7/391  
 6,802,305 B1 10/2004 Hatcher ..... 124/31  
 6,802,306 B1 10/2004 Rice ..... 124/74  
 2003/0121927 A1 7/2003 Rice et al. .... 220/833  
 2003/0131514 A1 7/2003 Rice et al. .... 42/69.01  
 2003/0131834 A1 7/2003 Rice et al. .... 124/32  
 2003/0154968 A1 8/2003 Rice et al. .... 124/71  
 2003/0178018 A1 9/2003 Cherry ..... 124/76  
 2003/0221684 A1 12/2003 Rice ..... 124/71  
 2004/0011344 A1 1/2004 Rice et al. .... 124/73  
 2004/0031836 A1 2/2004 Garcia ..... 224/665  
 2004/0074489 A1 4/2004 Neumaster et al. .... 124/79  
 2004/0084040 A1 5/2004 Jones ..... 124/77

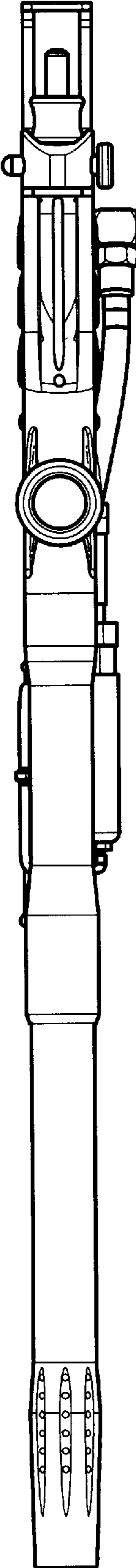
FOREIGN PATENT DOCUMENTS

FR 2801567 10/1999  
 GB 2252302 8/1992  
 GB 2370027 6/2002  
 GB 2391292 2/2004

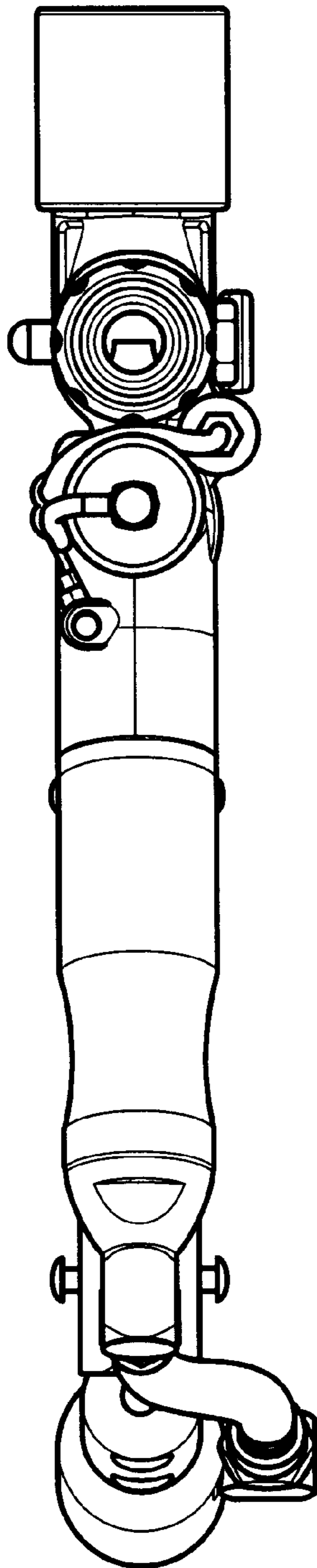
\* cited by examiner



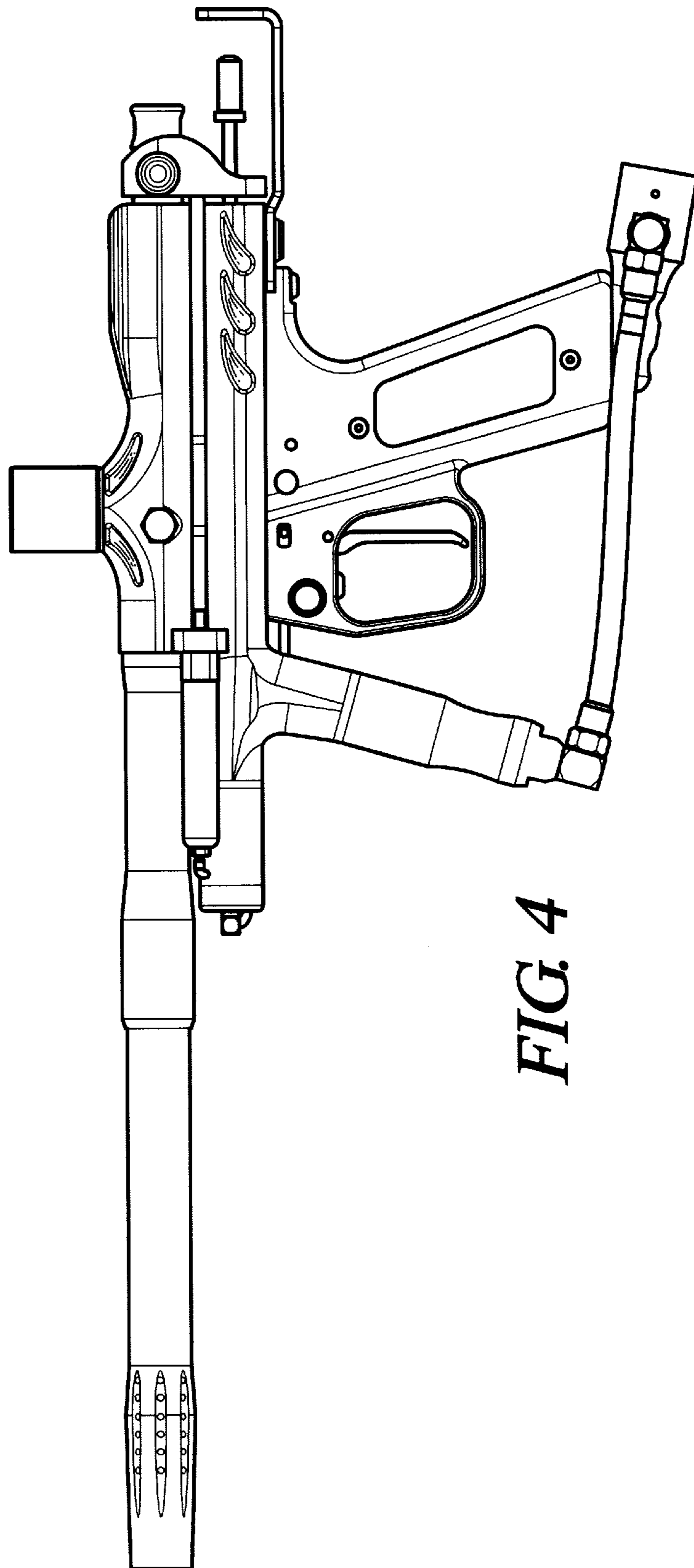
**FIG. 1**



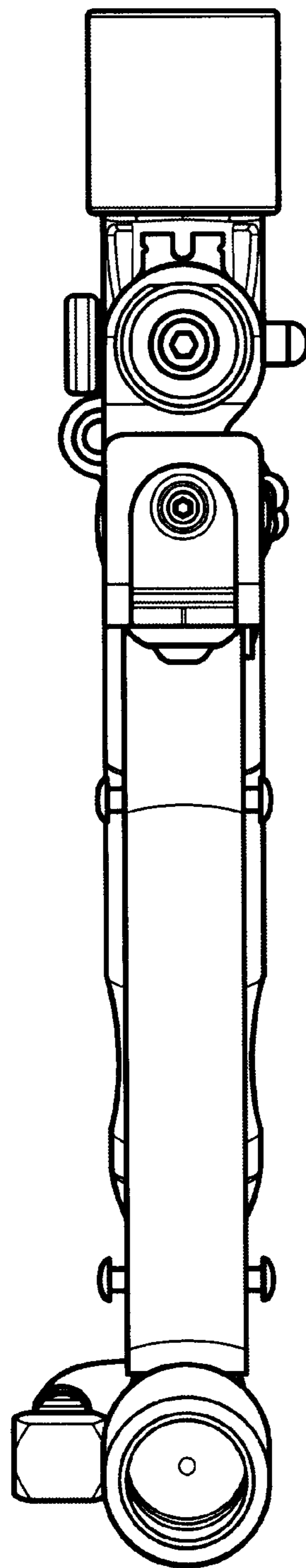
*FIG. 2*



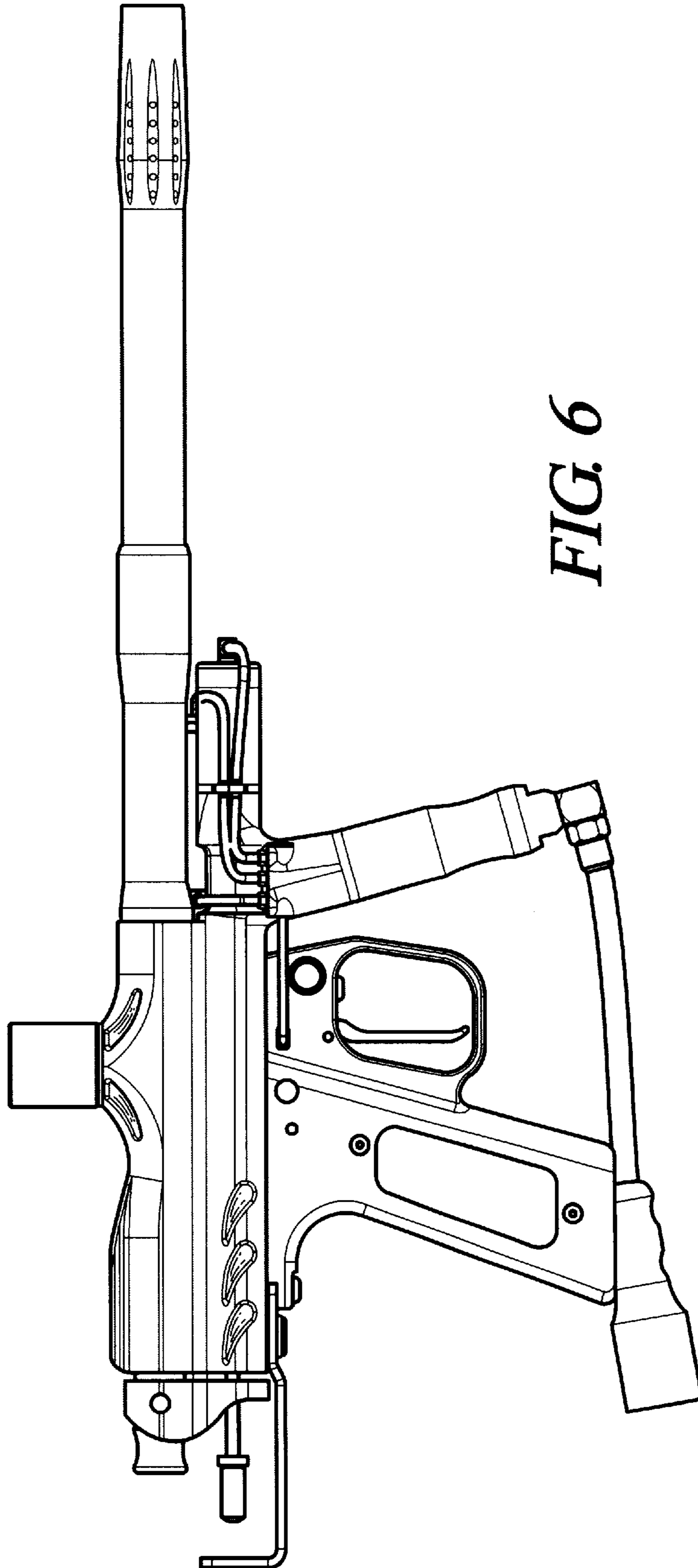
***FIG. 3***



**FIG. 4**

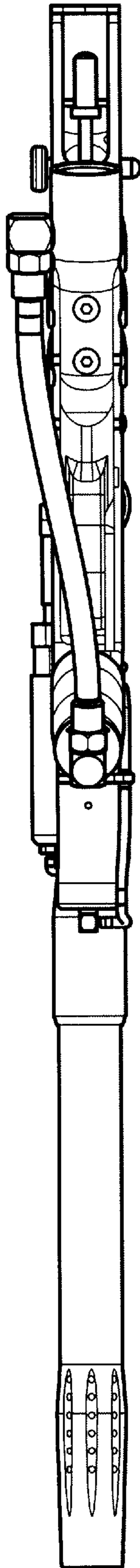


*FIG. 5*



*FIG. 6*





*FIG. 7*