

US00D513772S

(12) **United States Design Patent**
Otis et al.

(10) **Patent No.:** **US D513,772 S**
(45) **Date of Patent:** **** Jan. 24, 2006**

(54) **FOOT POWERED SCOOTER WITH SEAT**

(76) Inventors: **Webster Otis**, P.O. Box 713, Stinson Beach, CA (US) 94970; **Timothy W. Dawson**, P.O. Box 501, Stinson Beach, CA (US) 94970

(**) **Term:** **14 Years**

(21) **Appl. No.:** **29/203,803**

(22) **Filed:** **Apr. 19, 2004**

(51) **LOC (8) Cl.** **21-01**

(52) **U.S. Cl.** **D21/423**

(58) **Field of Classification Search** D21/419-435, D21/533, 760, 765, 771; D12/107, 110-112; 280/87.01, 87.021, 87.041, 87.042, 281.1, 280/288.1-288.3, 261, 278, 287; 180/181, 180/219-231, 216; 446/448

See application file for complete search history.

(56) **References Cited**

U.S. PATENT DOCUMENTS

1,535,167	A	*	4/1925	Lovell	280/87.021
D106,012	S		7/1937	Adams		
2,439,556	A	*	4/1948	Bancroft	280/87.041
D149,730	S		5/1948	Bancroft		
4,653,766	A		3/1987	Guandalini		
5,167,597	A		12/1992	David		
D382,310	S	*	8/1997	Lehle	D21/423

D445,144	S	*	7/2001	Lin	D21/423
D457,197	S		5/2002	Becker		
6,450,516	B1		9/2002	Nall, III		
D464,002	S	*	10/2002	Ho	D12/110
D464,379	S	*	10/2002	Lin	D21/423
D474,511	S	*	5/2003	Chen	D12/111
D479,285	S		9/2003	Jung		
D483,078	S	*	12/2003	Jung	D21/423
D487,908	S	*	3/2004	Mayer et al.	D21/423

* cited by examiner

Primary Examiner—Raphael Barkai

(74) *Attorney, Agent, or Firm*—Jack Lo

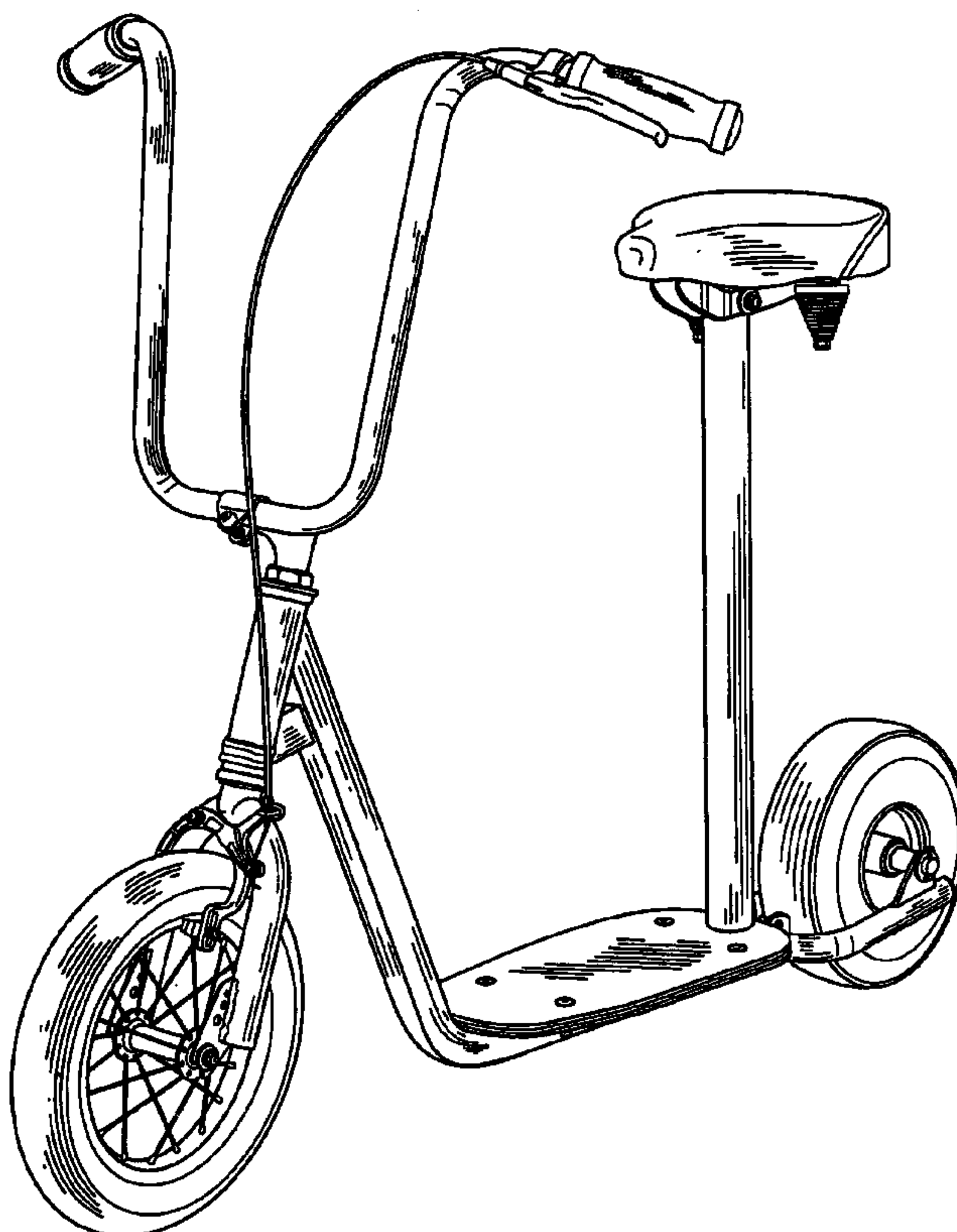
(57) **CLAIM**

The ornamental design for a foot powered scooter with seat, as shown and described.

DESCRIPTION

A foot powered scooter with a seat for the rider. FIG. 1 is a front perspective view of a foot powered scooter with seat showing my new design. FIG. 2 is a front view thereof. FIG. 3 is a rear view thereof. FIG. 4 is a left side view thereof. FIG. 5 is a right side view thereof. FIG. 6 is a top view thereof; and, FIG. 7 is a bottom view thereof.

1 Claim, 7 Drawing Sheets



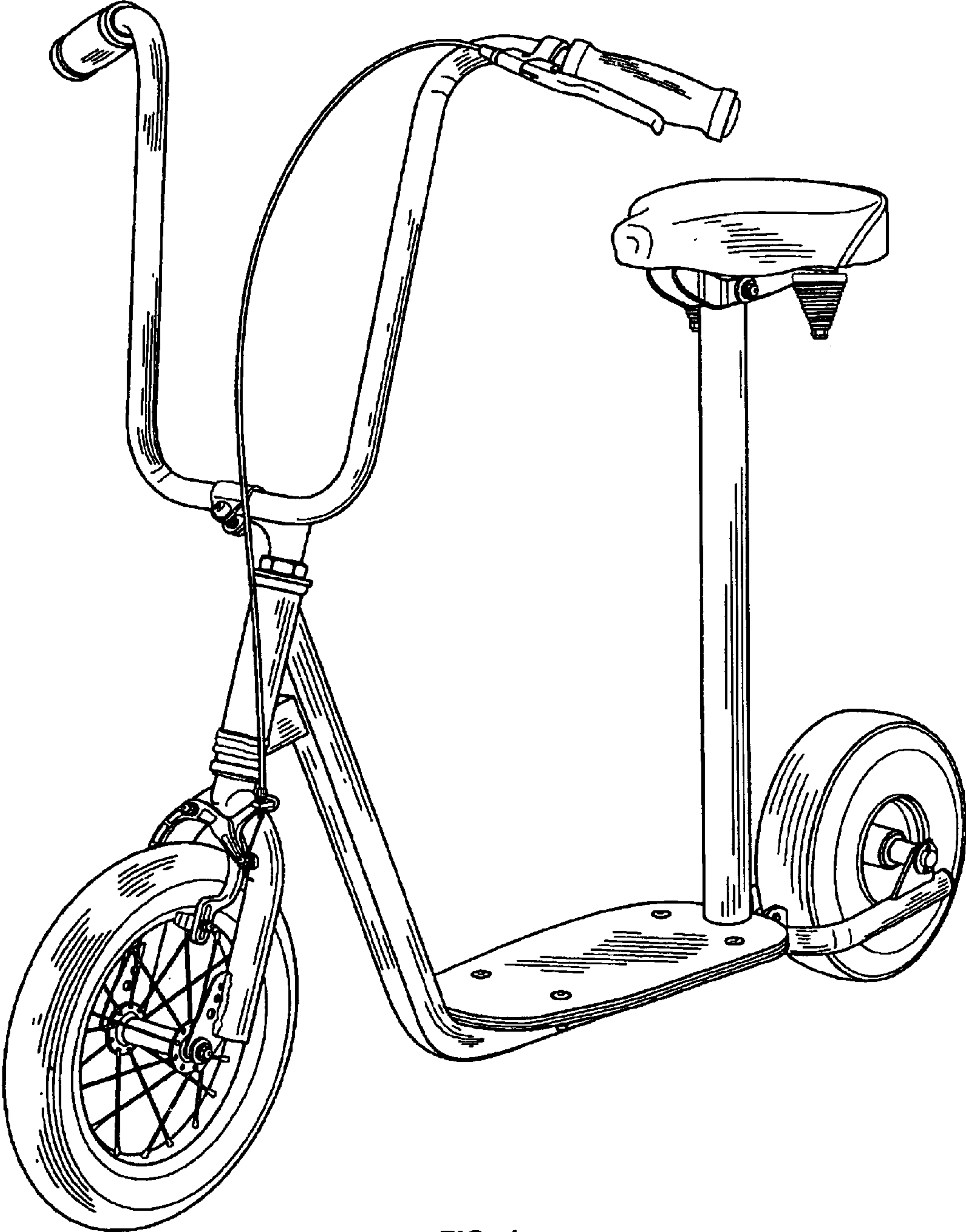


FIG. 1

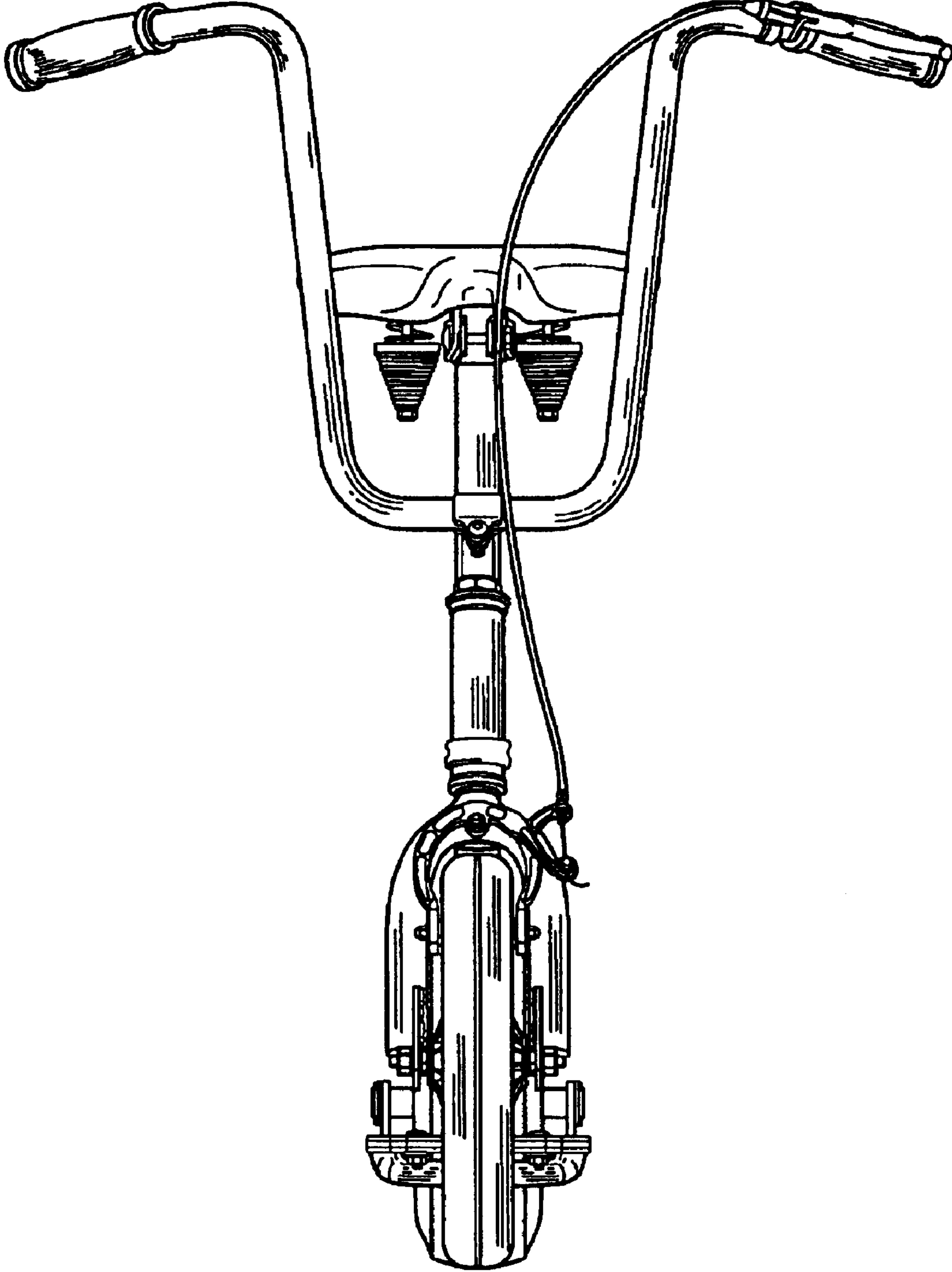


FIG. 2

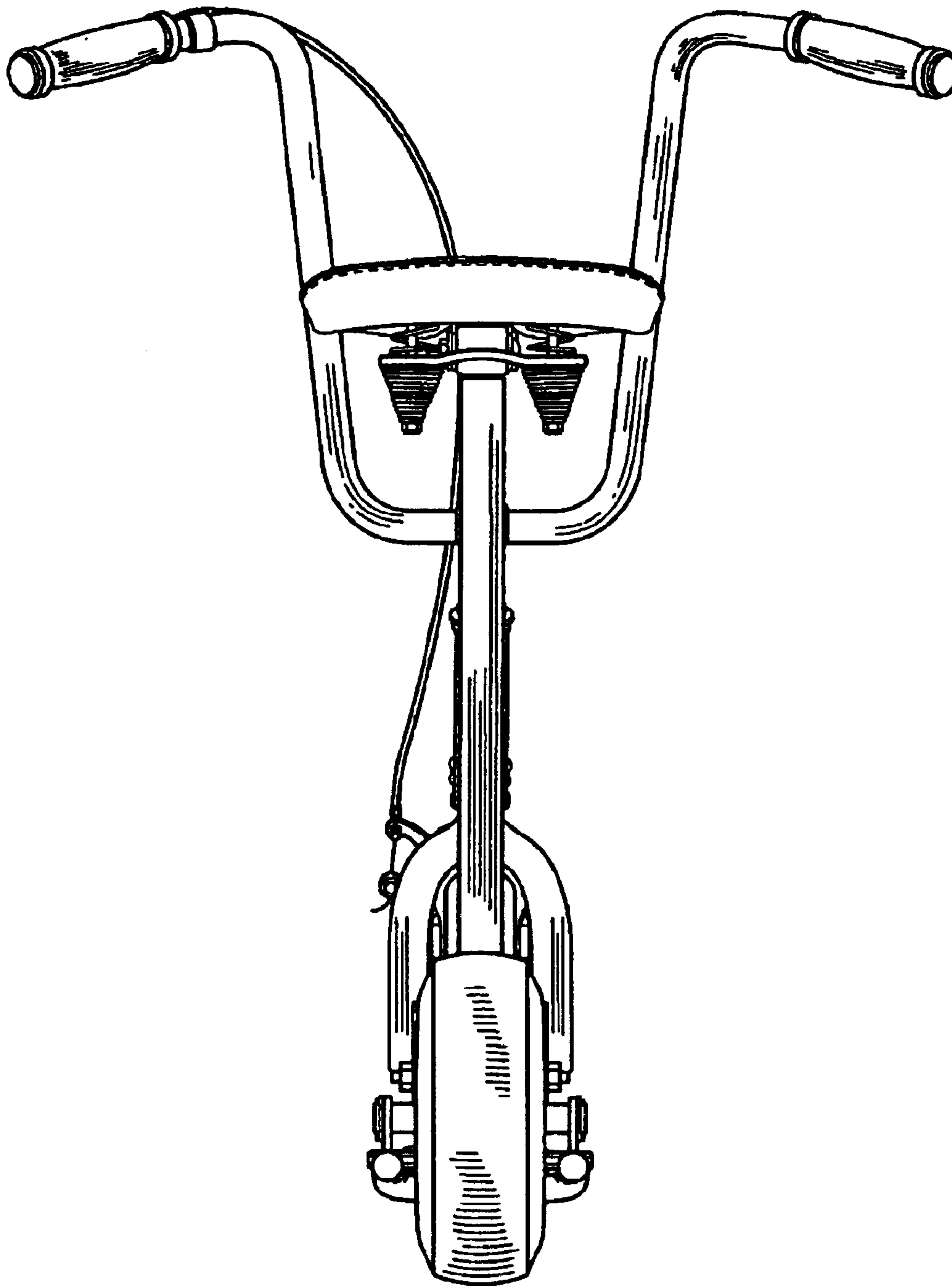


FIG. 3

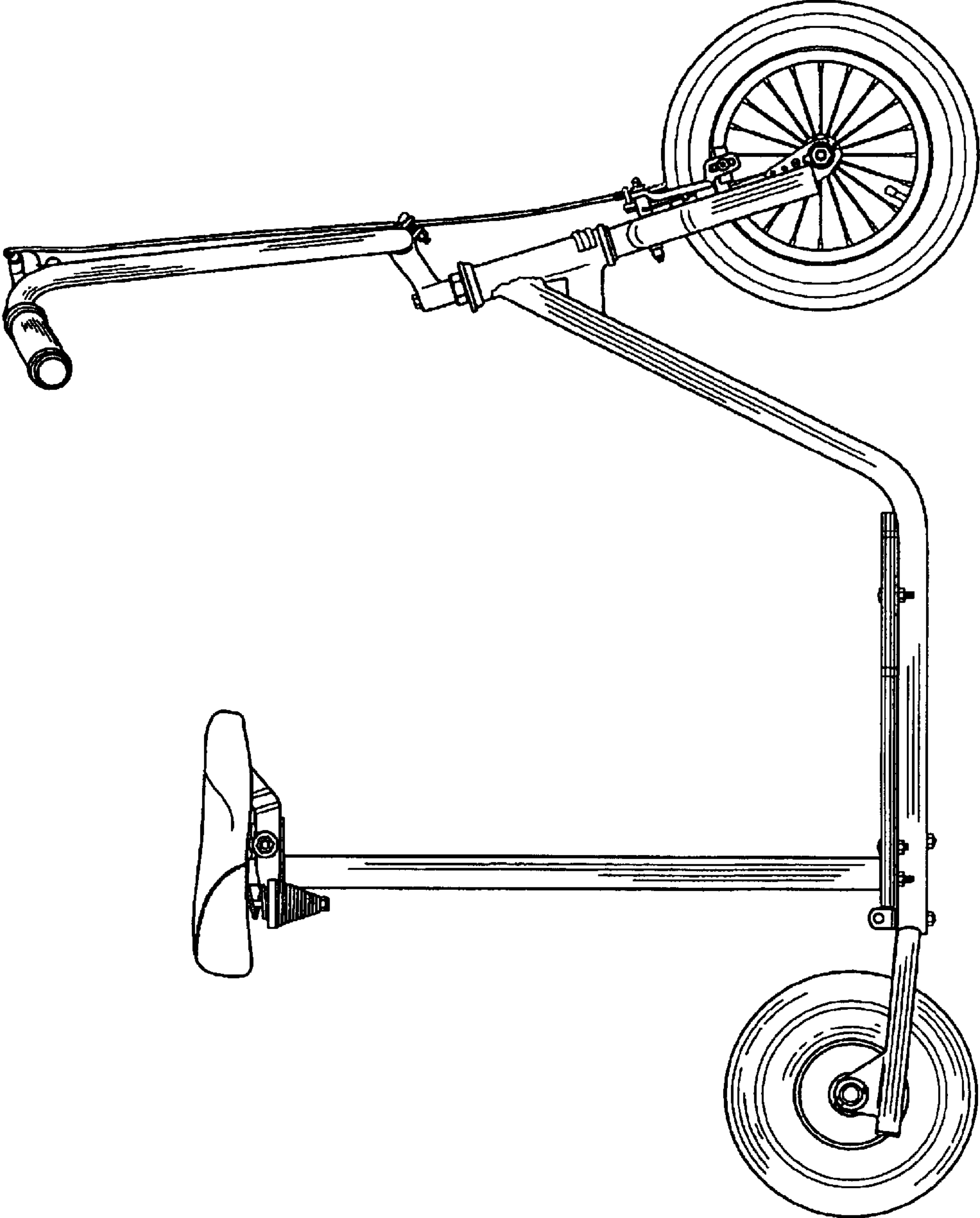


FIG. 4

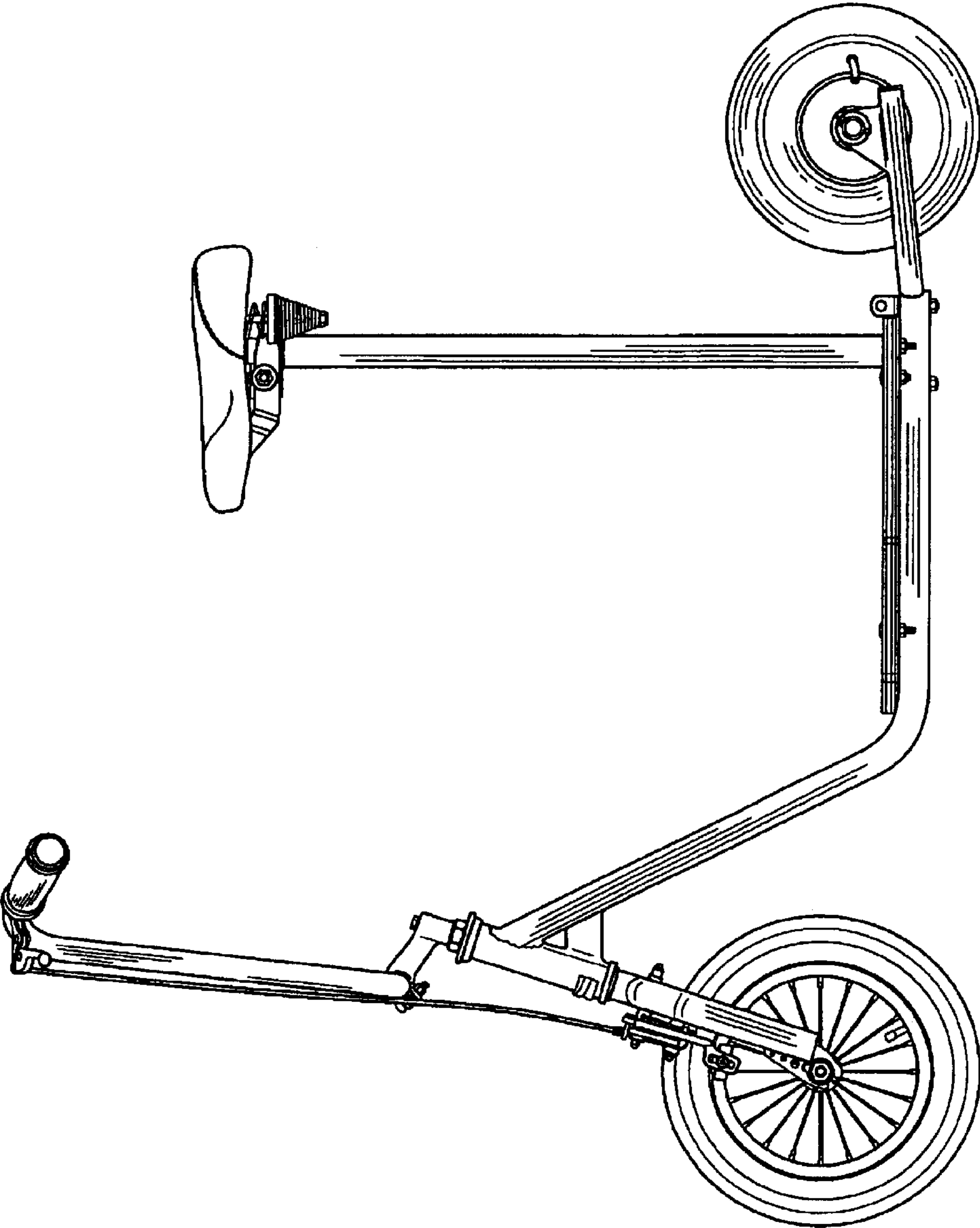


FIG. 5

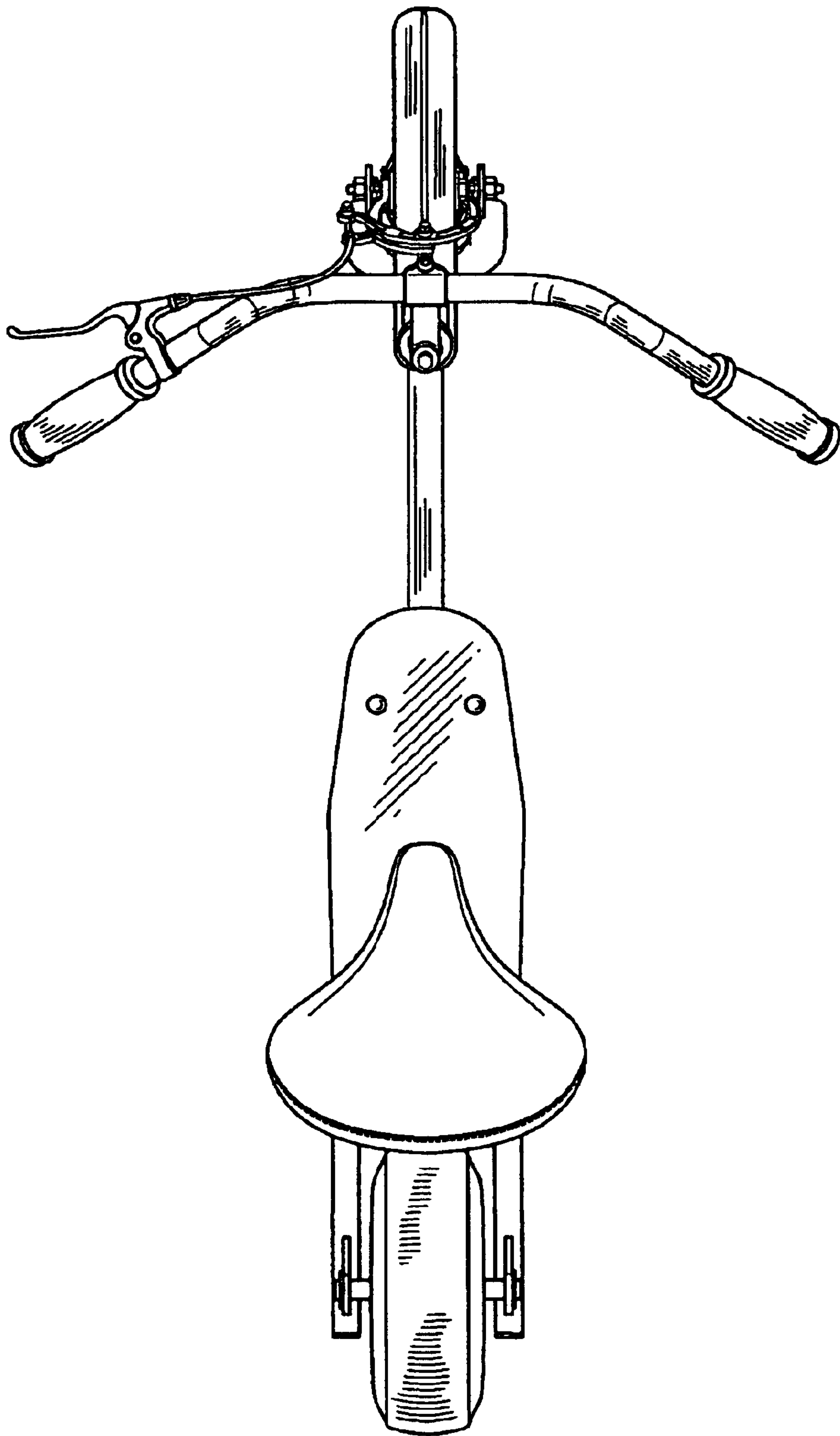


FIG. 6

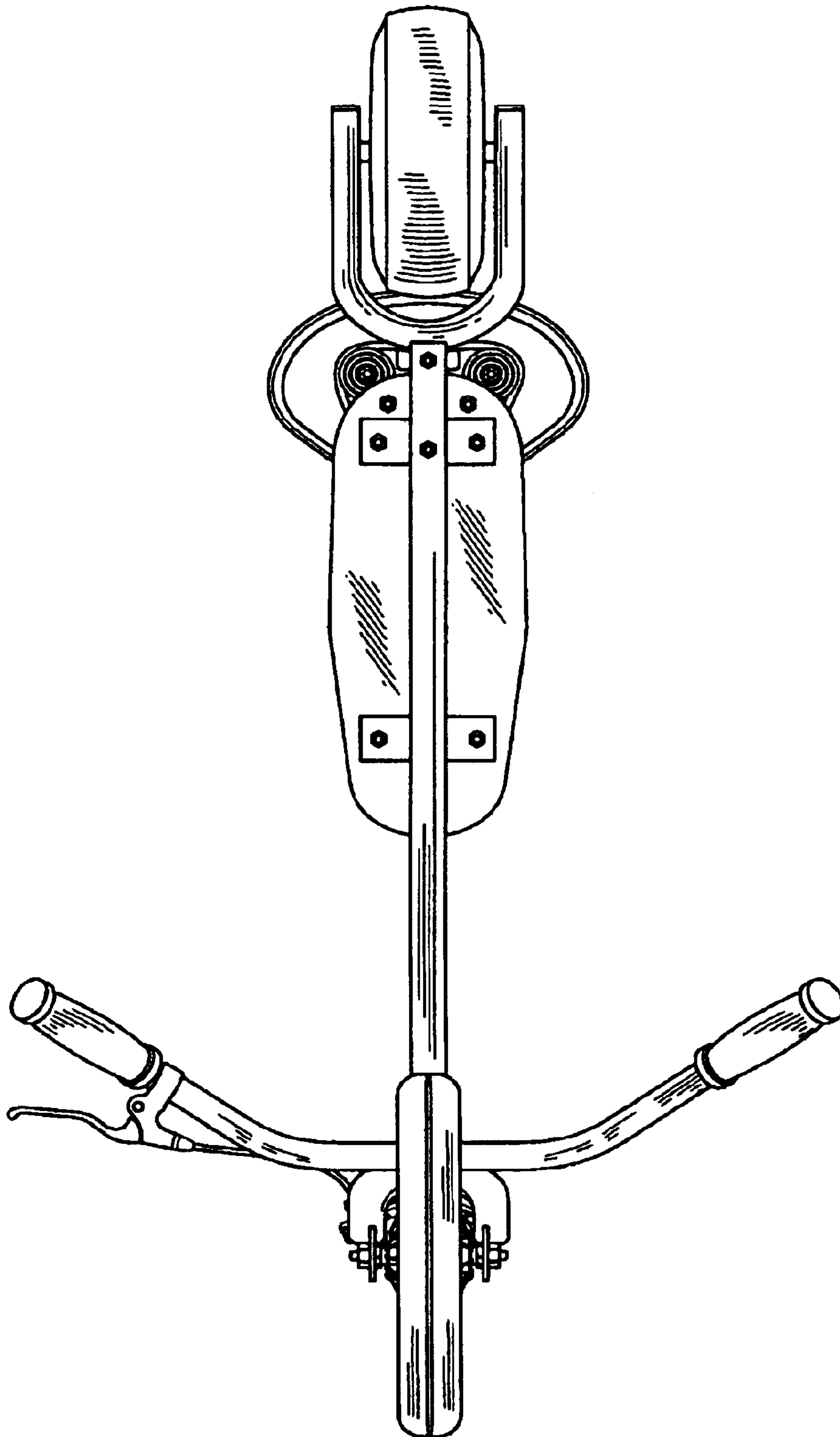


FIG. 7