



US00D513769S

(12) **United States Design Patent**
Lowry

(10) **Patent No.:** **US D513,769 S**
(45) **Date of Patent:** **** Jan. 24, 2006**

(54) **PRODUCE ISLAND ELECTRONIC SHELF LABEL HOLDER**

2003/0024889 A1 * 2/2003 Dumontet 211/59.3
2003/0182835 A1 * 10/2003 Nagel 40/661
2003/0217497 A1 * 11/2003 Nagel 40/661

(75) Inventor: **Michael G. Lowry**, Boca Raton, FL (US)

* cited by examiner

(73) Assignee: **Fast Industries, Ltd**, Fort Lauderdale, FL (US)

Primary Examiner—Robert M. Spear
(74) *Attorney, Agent, or Firm*—Jacobson Holman PLLC

(**) Term: **14 Years**

(57) **CLAIM**

(21) Appl. No.: **29/220,721**

The ornamental design for a produce island electronic shelf label holder, as shown and described.

(22) Filed: **Jan. 6, 2005**

DESCRIPTION

(51) **LOC (8) Cl.** **20-03**

FIG. 1 is a front perspective view showing my new design for a produce island electronic shelf label holder,

(52) **U.S. Cl.** **D20/44**

FIG. 2 is a top view thereof;

(58) **Field of Classification Search** D6/410;

FIG. 3 is a bottom view thereof;

D8/300, 315, 316, 373; D20/10, 43, 44, 99;

FIG. 4 is a front view thereof;

40/316, 533, 603, 617, 642.01, 642.02, 649,

FIG. 5 is a rear view thereof;

40/650, 653, 654.01, 661, 661.03, 661.05

FIG. 6 is a left side view thereof; and,

See application file for complete search history.

FIG. 7 is a right side view thereof.

In FIGS. 1–5, the produce island electronic shelf label holder is shown broken away in the center to represent indeterminate length.

(56) **References Cited**

U.S. PATENT DOCUMENTS

6,527,127 B2 * 3/2003 Dumontet 211/59.3
D484,545 S * 12/2003 McIlvaine D20/43

1 Claim, 5 Drawing Sheets

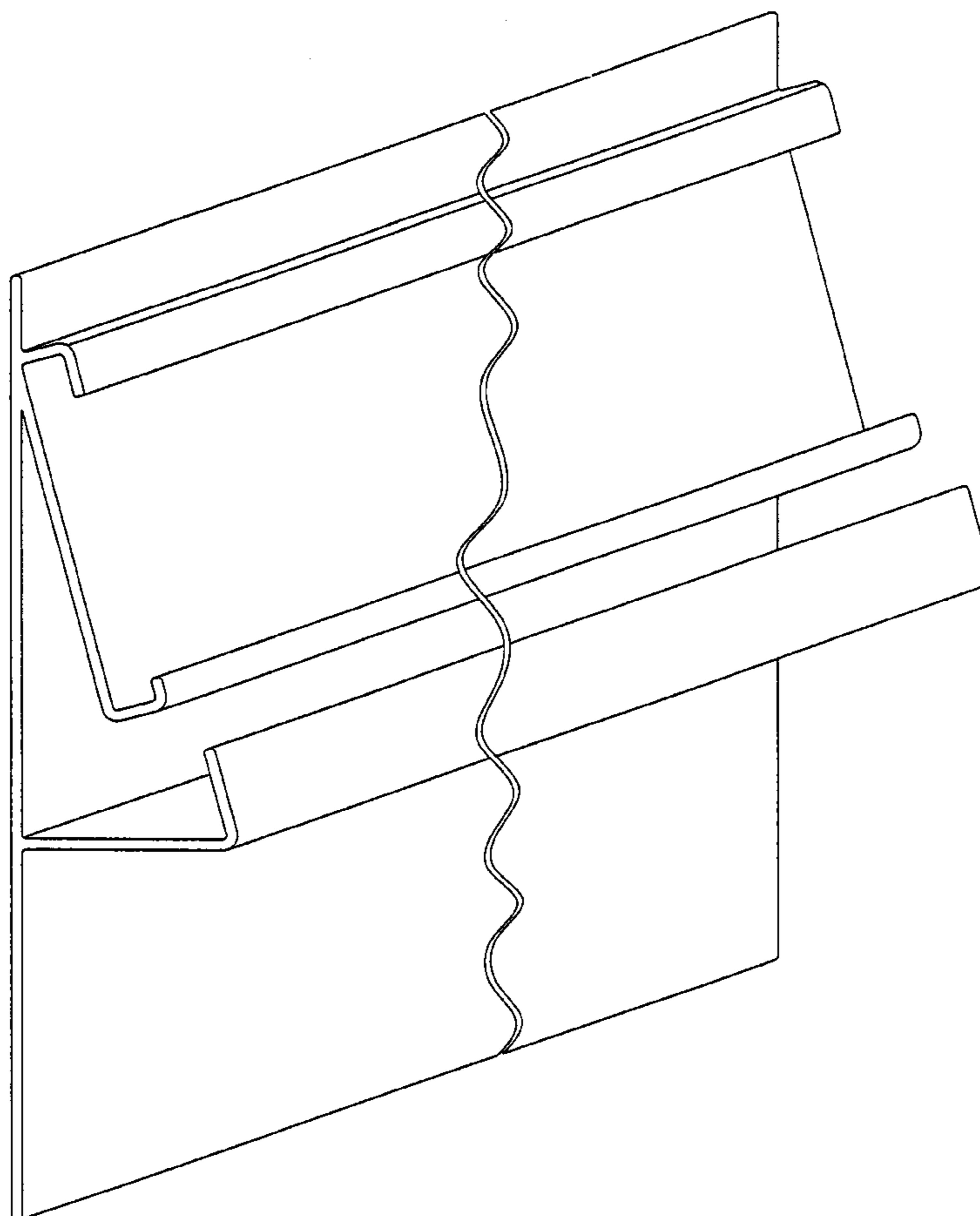


FIG. 1

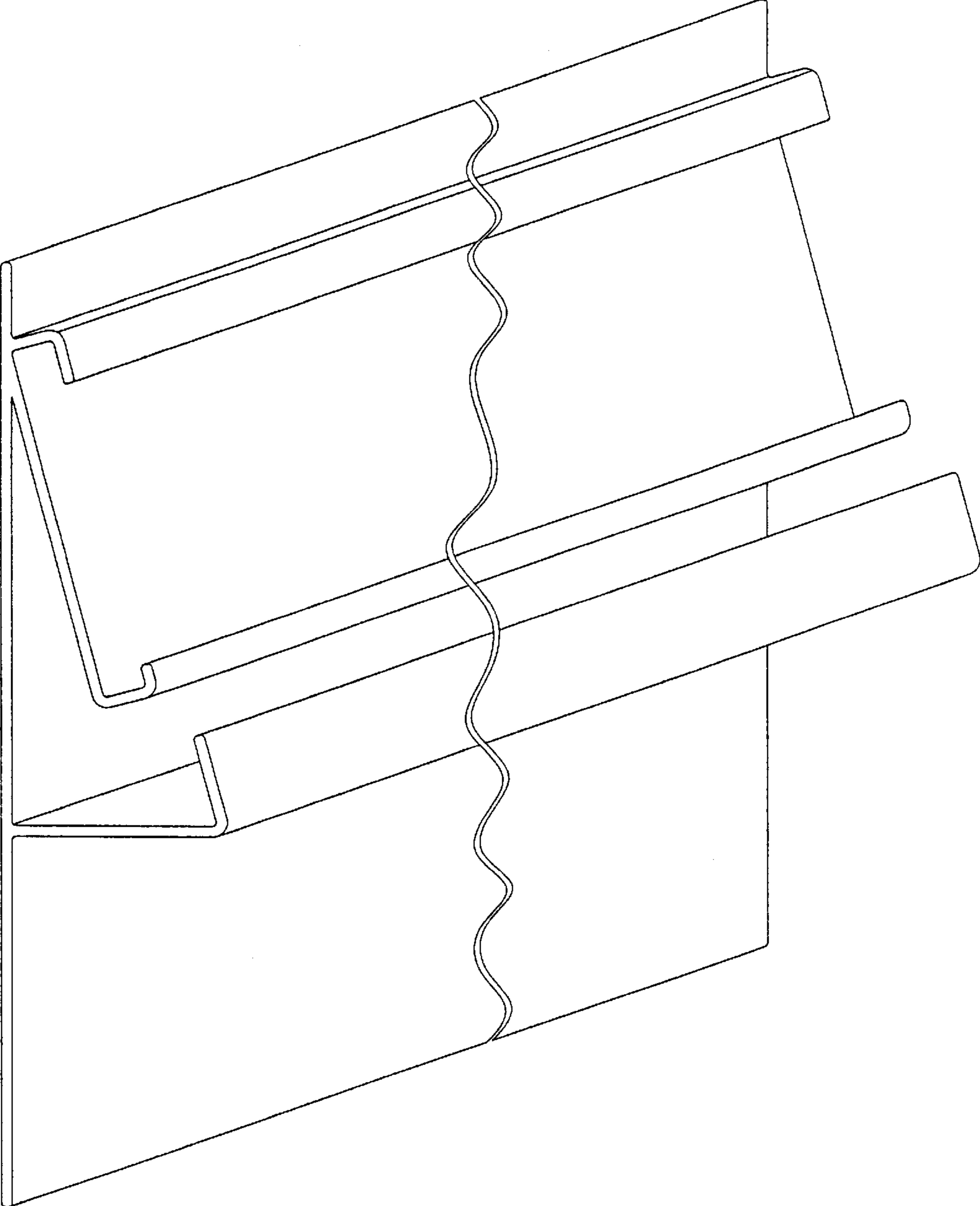


FIG. 2

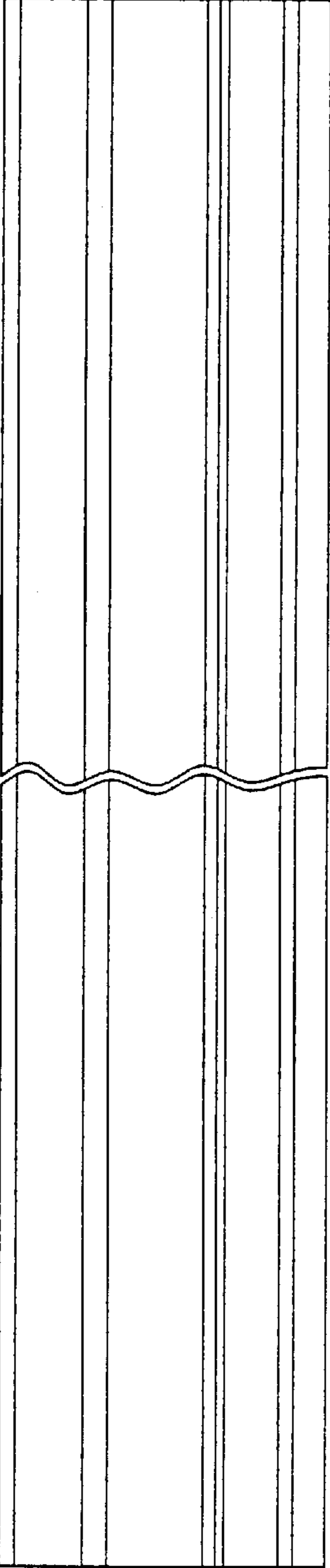
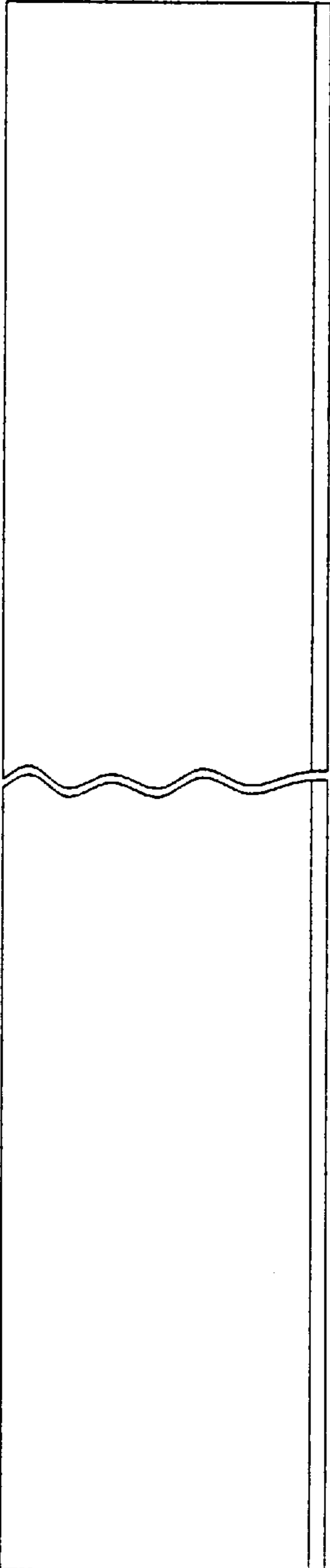


FIG. 3



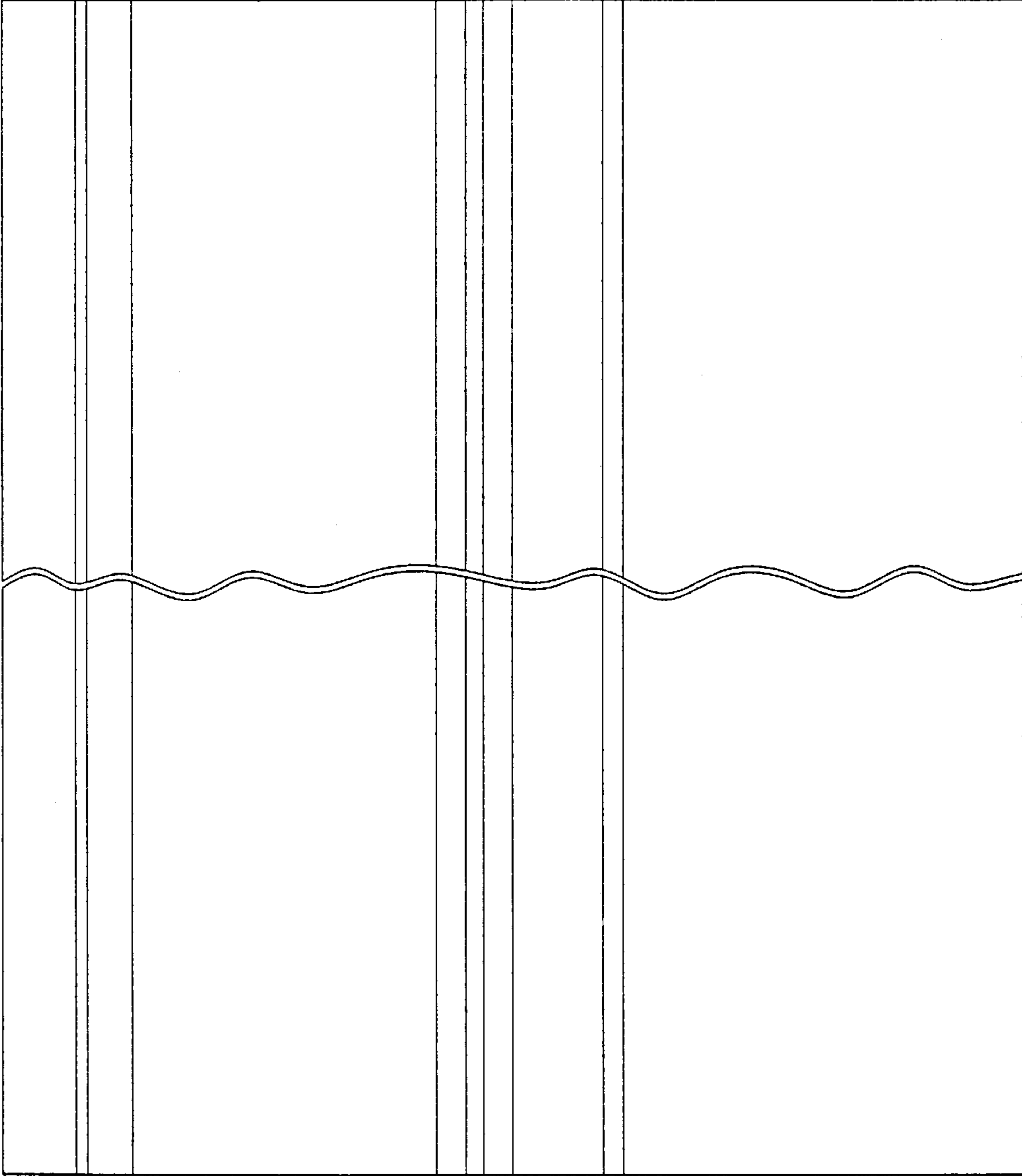


FIG. 4

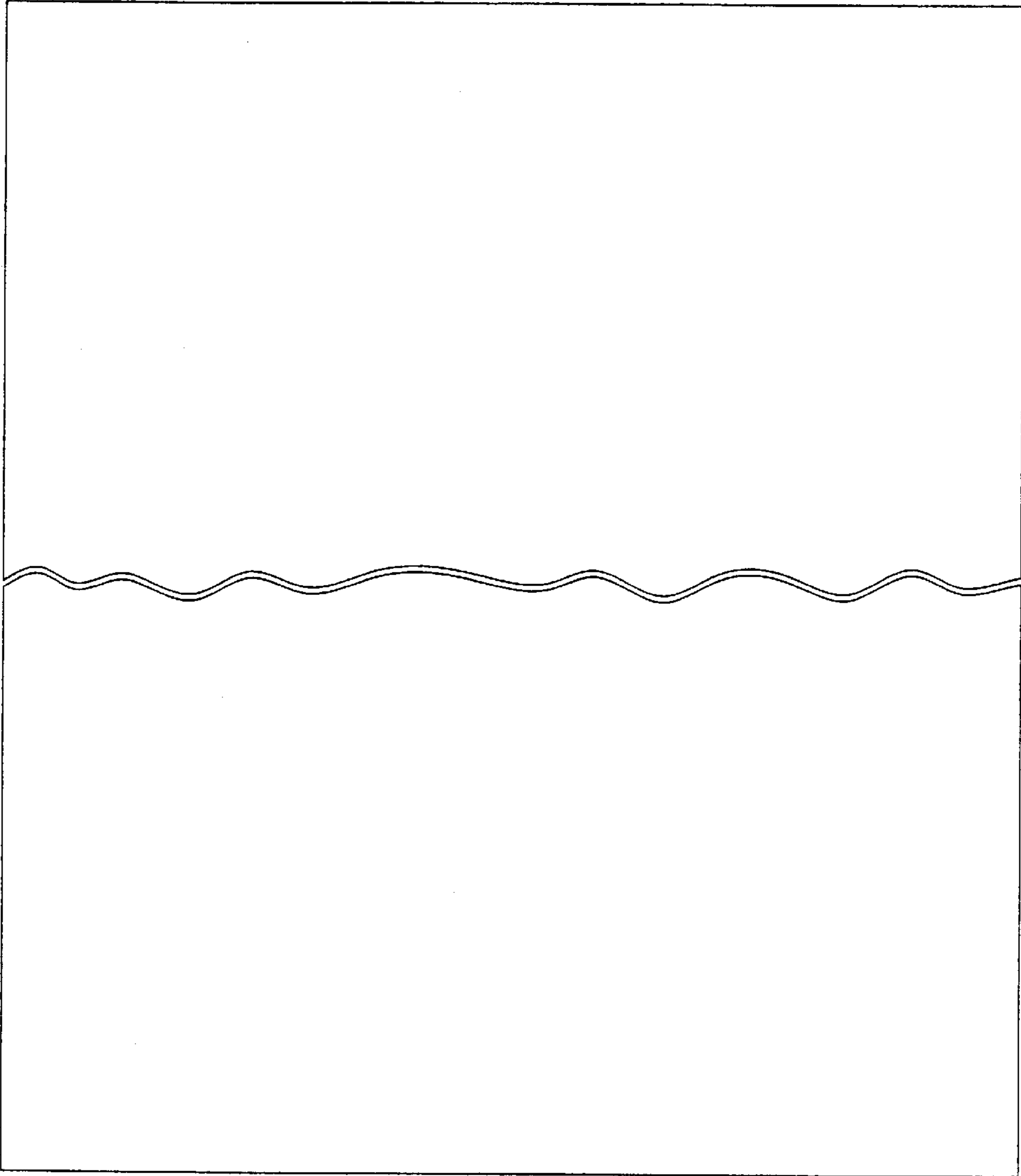


FIG. 5

FIG. 6

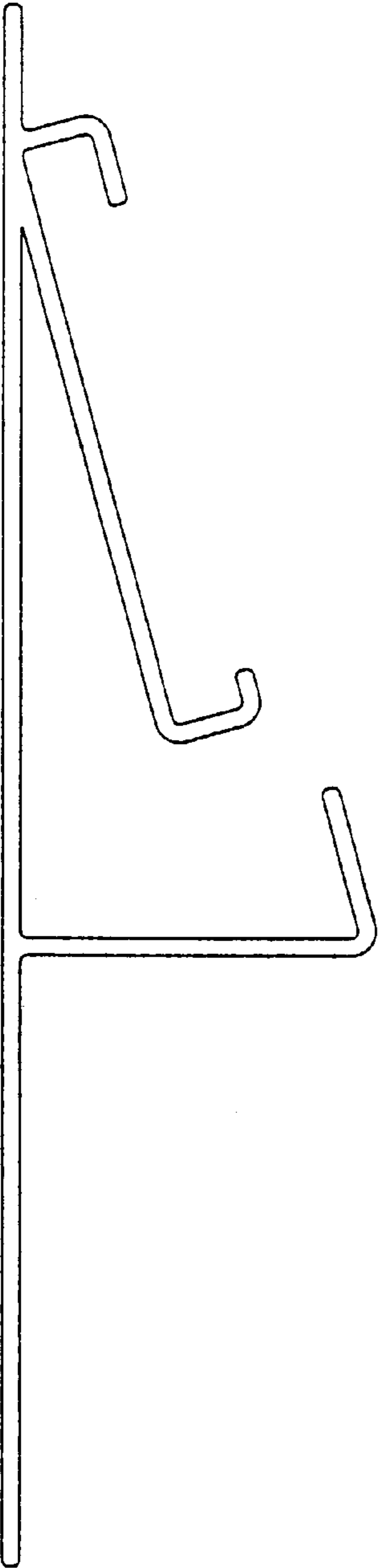


FIG. 7

