



US00D513762S

(12) **United States Design Patent**  
**Young**

(10) **Patent No.:** **US D513,762 S**  
(45) **Date of Patent:** **\*\* Jan. 24, 2006**

(54) **ABACUS**

(76) **Inventor:** **Susan M. Young**, 8009 Aldea Ave., Van Nuys, CA (US) 91406

(\*\*) **Term:** **14 Years**

(21) **Appl. No.:** **29/200,384**

(22) **Filed:** **Feb. 27, 2004**

(51) **LOC (8) Cl.** ..... **18-01**

(52) **U.S. Cl.** ..... **D18/6; D19/59; 434/203**

(58) **Field of Classification Search** ..... **D18/1,**  
**D18/6; D19/59, 62, 64; D21/468, 475, 512;**  
**D24/212; 273/260; 434/191, 196, 201, 203,**  
**434/208**

See application file for complete search history.

(56) **References Cited**

**U.S. PATENT DOCUMENTS**

- 604,963 A \* 5/1898 Breinl ..... 434/203
- 637,964 A \* 11/1899 Johnsen ..... 434/203
- 2,655,737 A \* 10/1953 Don Dero ..... 434/203
- D184,042 S \* 12/1958 Dochterman et al. .... D18/6

- D198,847 S \* 8/1964 Mathison ..... D18/6
- D413,472 S \* 9/1999 Dagan ..... D18/6
- 2003/0148250 A1 \* 8/2003 Walker et al. .... 434/203

\* cited by examiner

*Primary Examiner*—Caron D. Veynar

(57) **CLAIM**

The ornamental design for an abacus, as shown and described.

**DESCRIPTION**

FIG. 1 is a front perspective of the abacus showing my new design;

FIG. 2 is a front view of the abacus shown in FIG. 1;

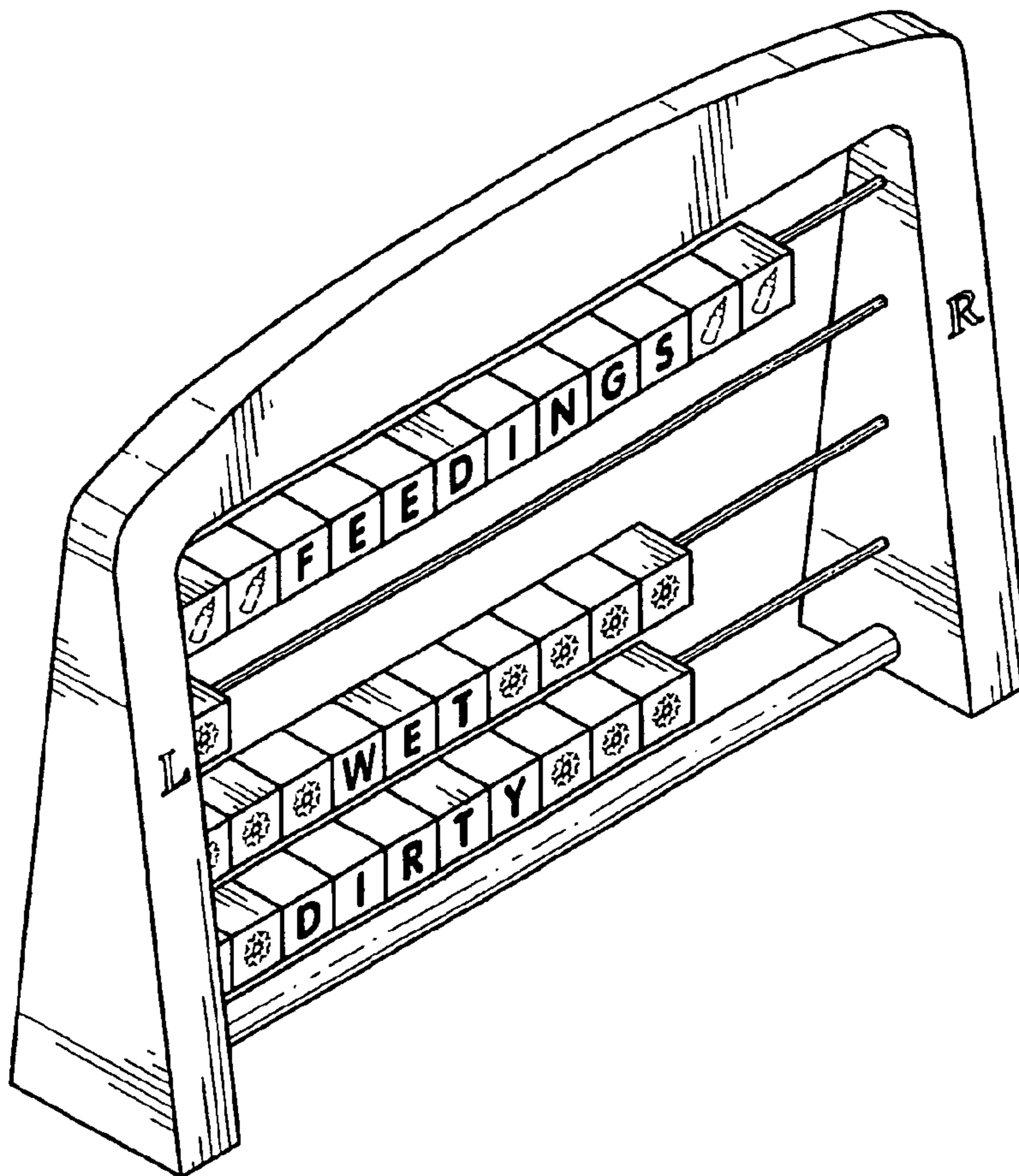
FIG. 3 is a back view of the abacus shown in FIG. 1;

FIG. 4 is a side view of the abacus shown in FIG. 1, the opposite side view being identical thereto; and,

FIG. 5 is a top plan view of the abacus shown in FIG. 1, the bottom view being flat and unornamented.

The broken line showing the baby bottle indicia on FIGS. 1 and 2 are for illustrative purposes only and form no part of the claimed design.

**1 Claim, 3 Drawing Sheets**



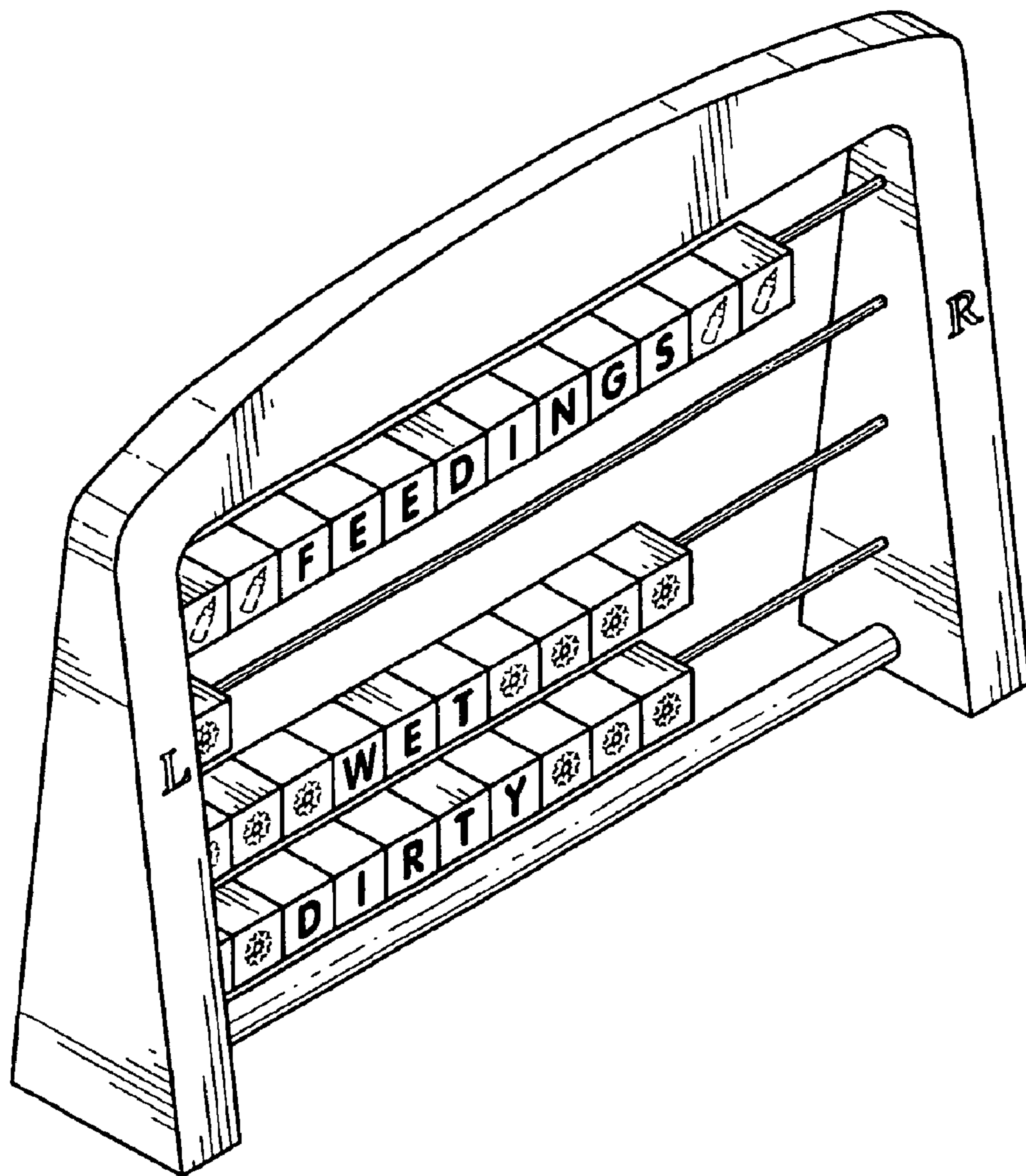


FIG. 1

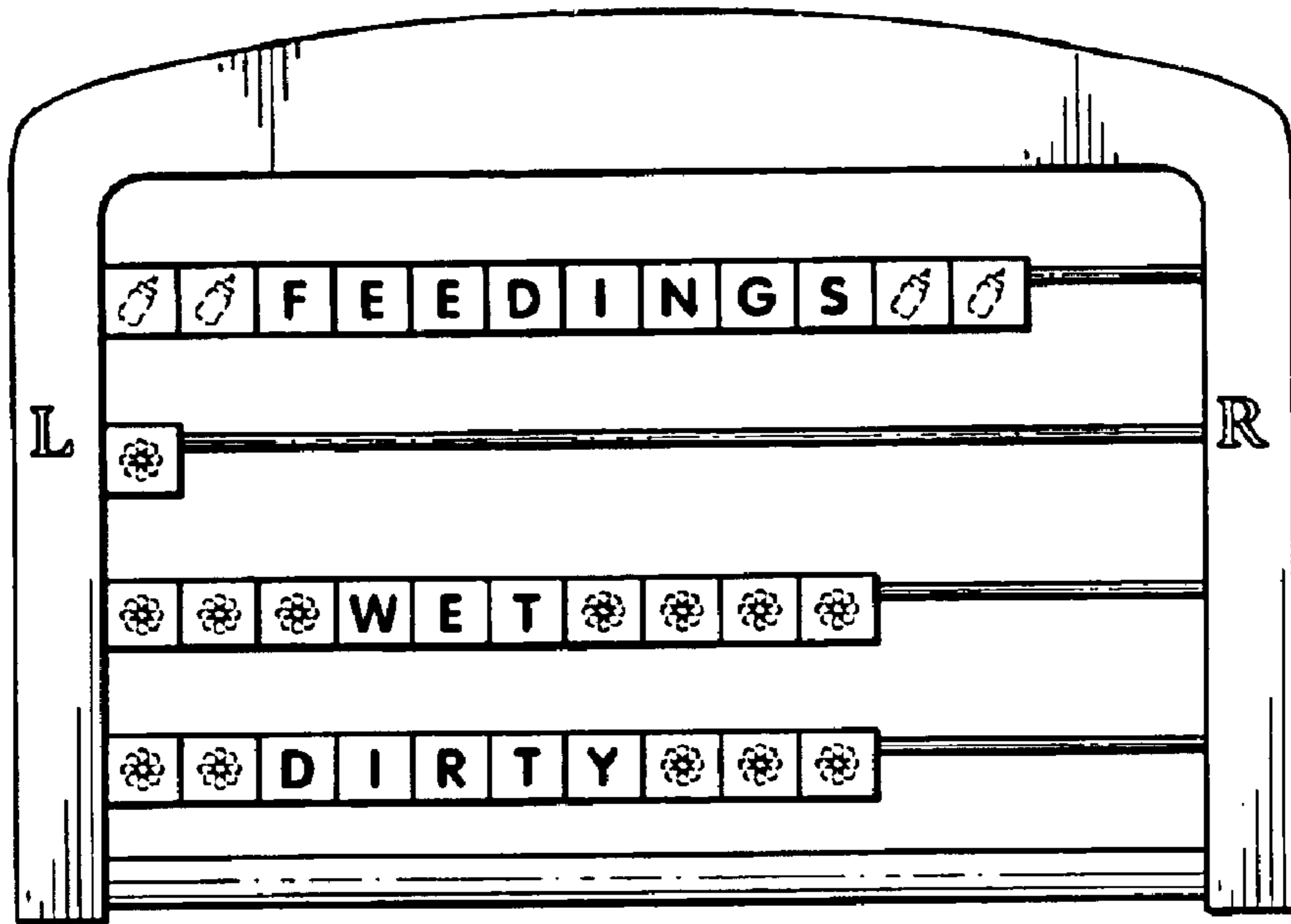


FIG. 2

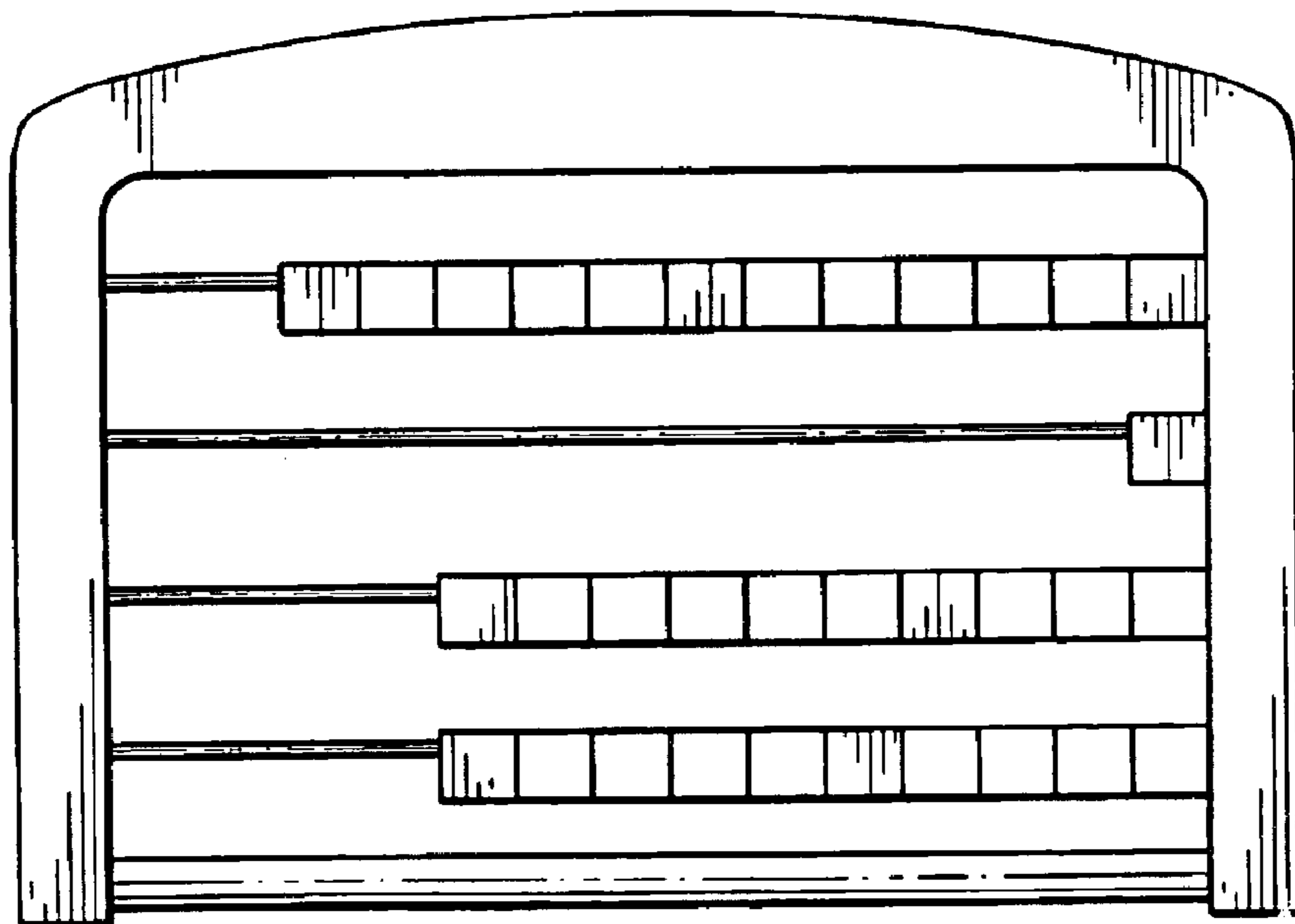


FIG. 3

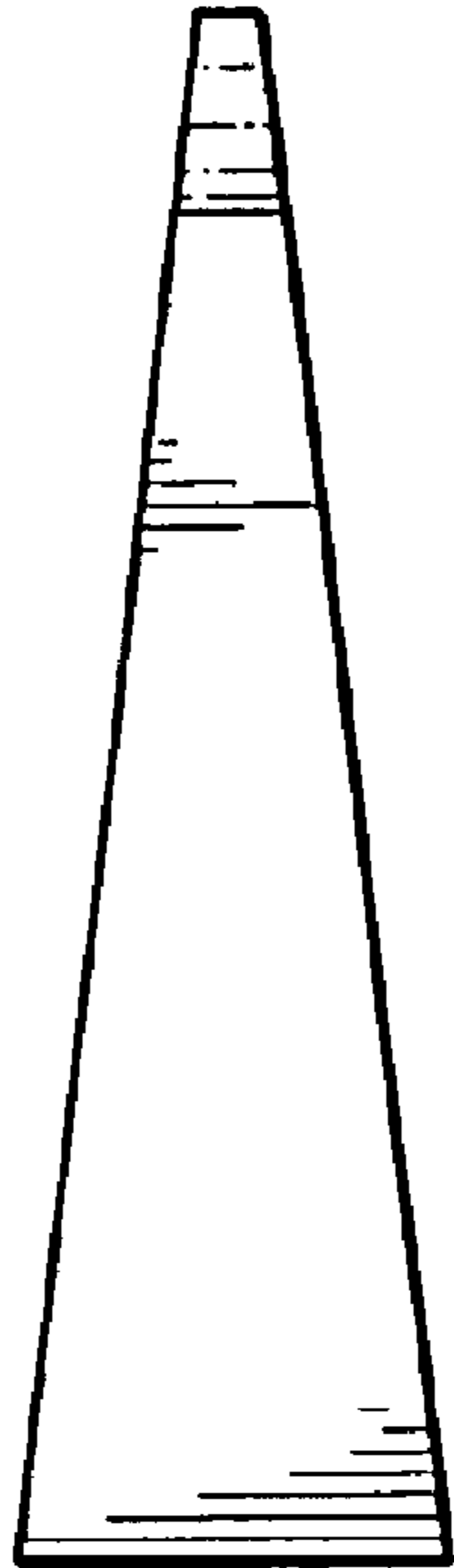


FIG. 4

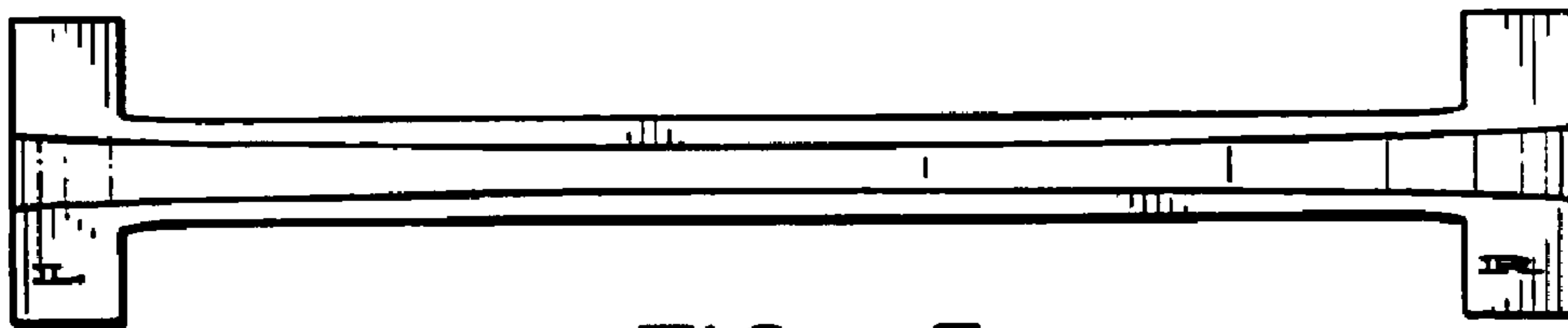


FIG. 5