

US00D513758S

(12) **United States Design Patent**
Onuma

(10) **Patent No.:** **US D513,758 S**
(45) **Date of Patent:** **** Jan. 24, 2006**

(54) **DIGITAL CAMERA**

D476,022 S * 6/2003 Sumita D16/202
D477,009 S * 7/2003 Ikenaga D16/219

(75) Inventor: **Koki Onuma**, Tokyo (JP)

FOREIGN PATENT DOCUMENTS

(73) Assignee: **PENTAX Corporation**, Tokyo (JP)

JP 1084238 9/2000
JP 1162707 1/2003

(**) Term: **14 Years**

* cited by examiner

(21) Appl. No.: **29/210,934**

Primary Examiner—Adir Aronovich

(22) Filed: **Aug. 10, 2004**

(74) *Attorney, Agent, or Firm*—Sughrue Mion, PLLC

(30) **Foreign Application Priority Data**

(57) **CLAIM**

Feb. 10, 2004 (JP) 2004-003377

The ornamental design for a digital camera, as shown and described.

(51) **LOC (8) Cl.** **16-01**

DESCRIPTION

(52) **U.S. Cl.** **D16/219; D16/202**

(58) **Field of Classification Search** D16/200–206,
D16/208, 218, 219; 348/81, 373, 374–376;
358/906; 396/535–541

FIG. 1 is a perspective view of the top, front and right side of a digital camera showing my new design;
FIG. 2 is a front elevational view thereof;
FIG. 3 is a rear elevational view thereof;
FIG. 4 is a right side elevational view thereof;
FIG. 5 is a left side elevational view thereof;
FIG. 6 is a top plan view thereof; and,
FIG. 7 is a bottom plan view thereof.

See application file for complete search history.

The elements shown in broken lines are for illustrative purposes only and form no part of the claimed design.

(56) **References Cited**

U.S. PATENT DOCUMENTS

5,499,052 A * 3/1996 Nakanishi et al. 348/373
D445,814 S * 7/2001 Oki et al. D16/202
D445,816 S * 7/2001 Tanaka D16/202
D456,434 S * 4/2002 Yamazaki D16/202
D463,473 S * 9/2002 Miyashita D16/219

1 Claim, 7 Drawing Sheets

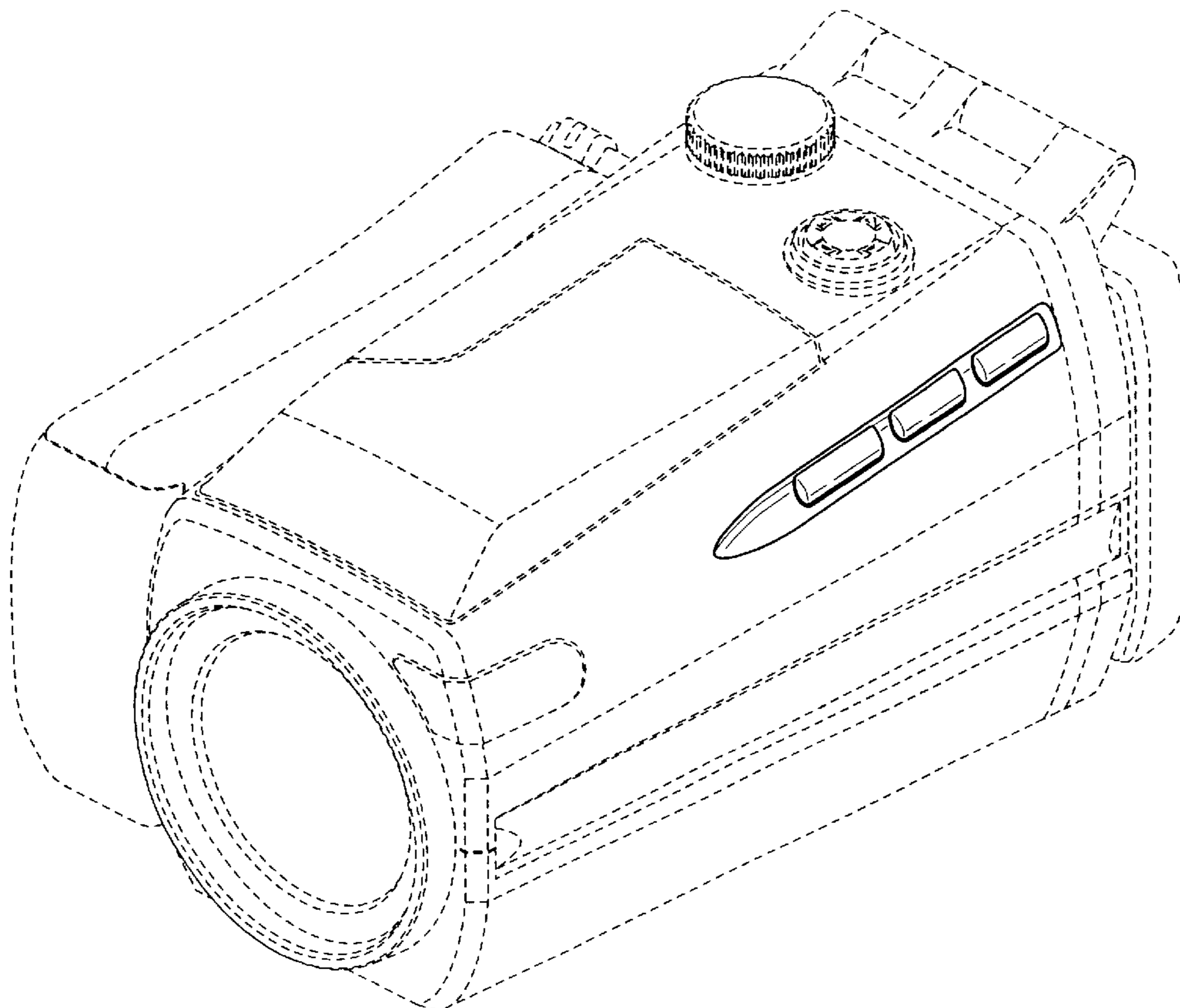


FIG. 1

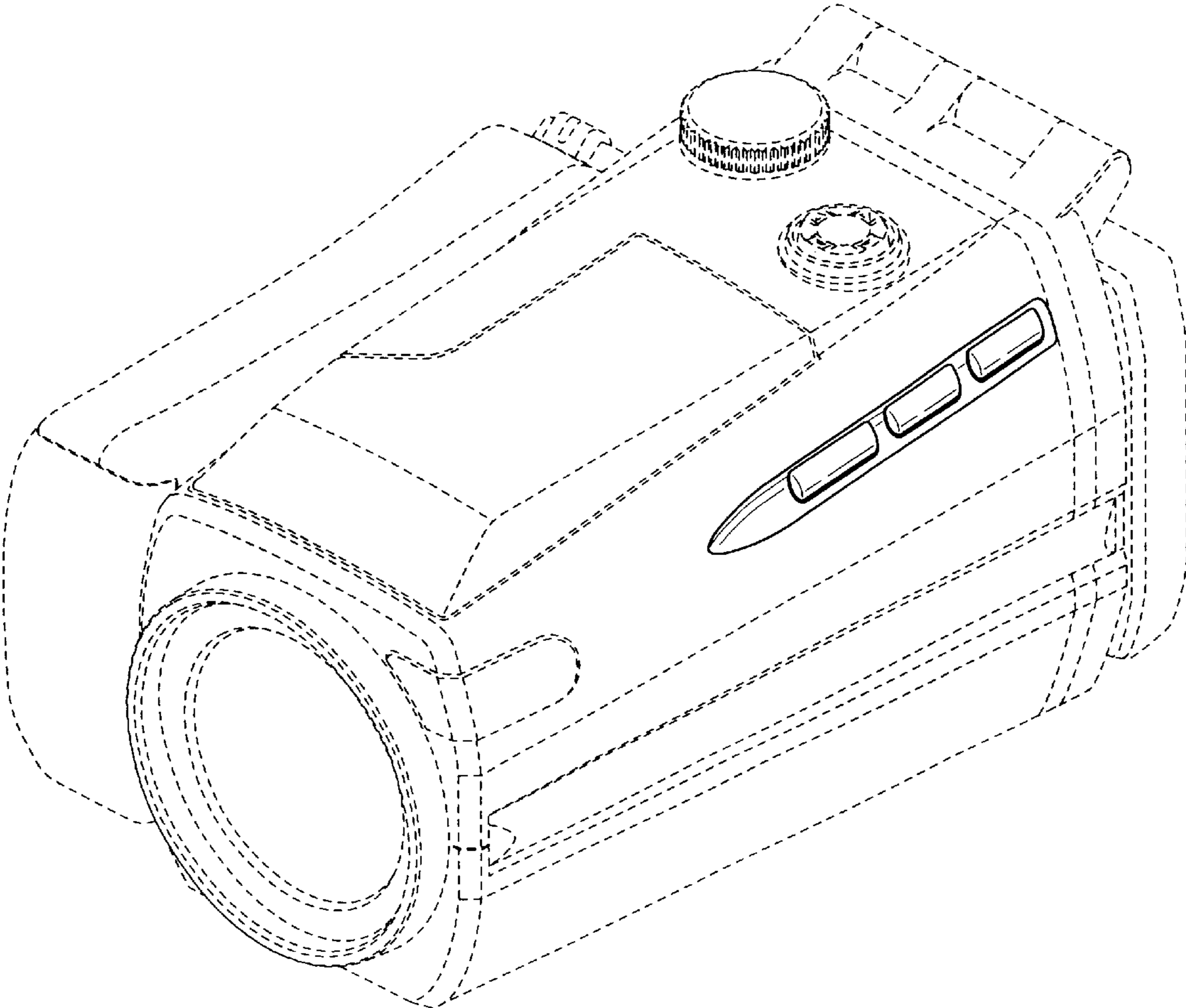


FIG. 2

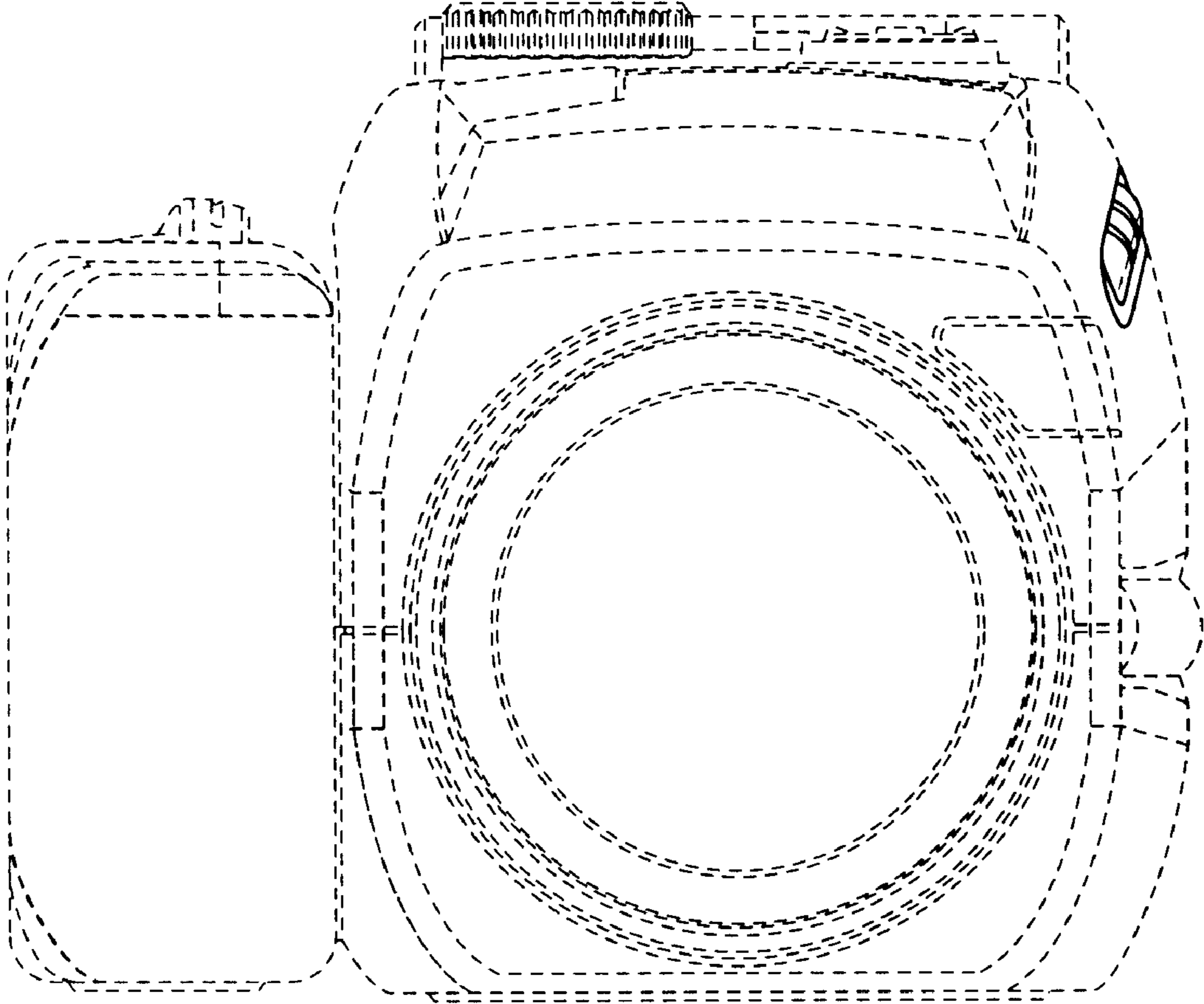


FIG. 3

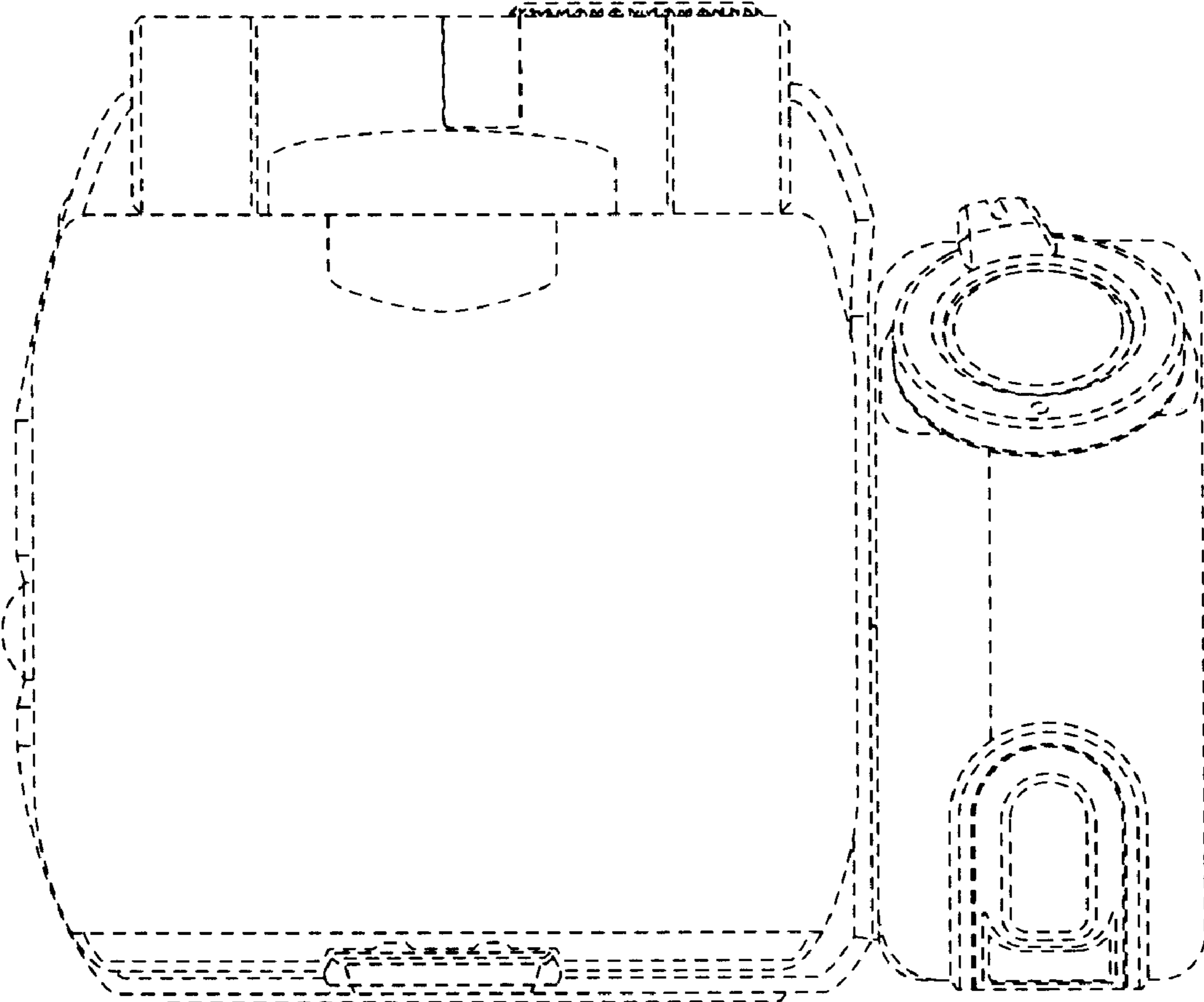


FIG. 4

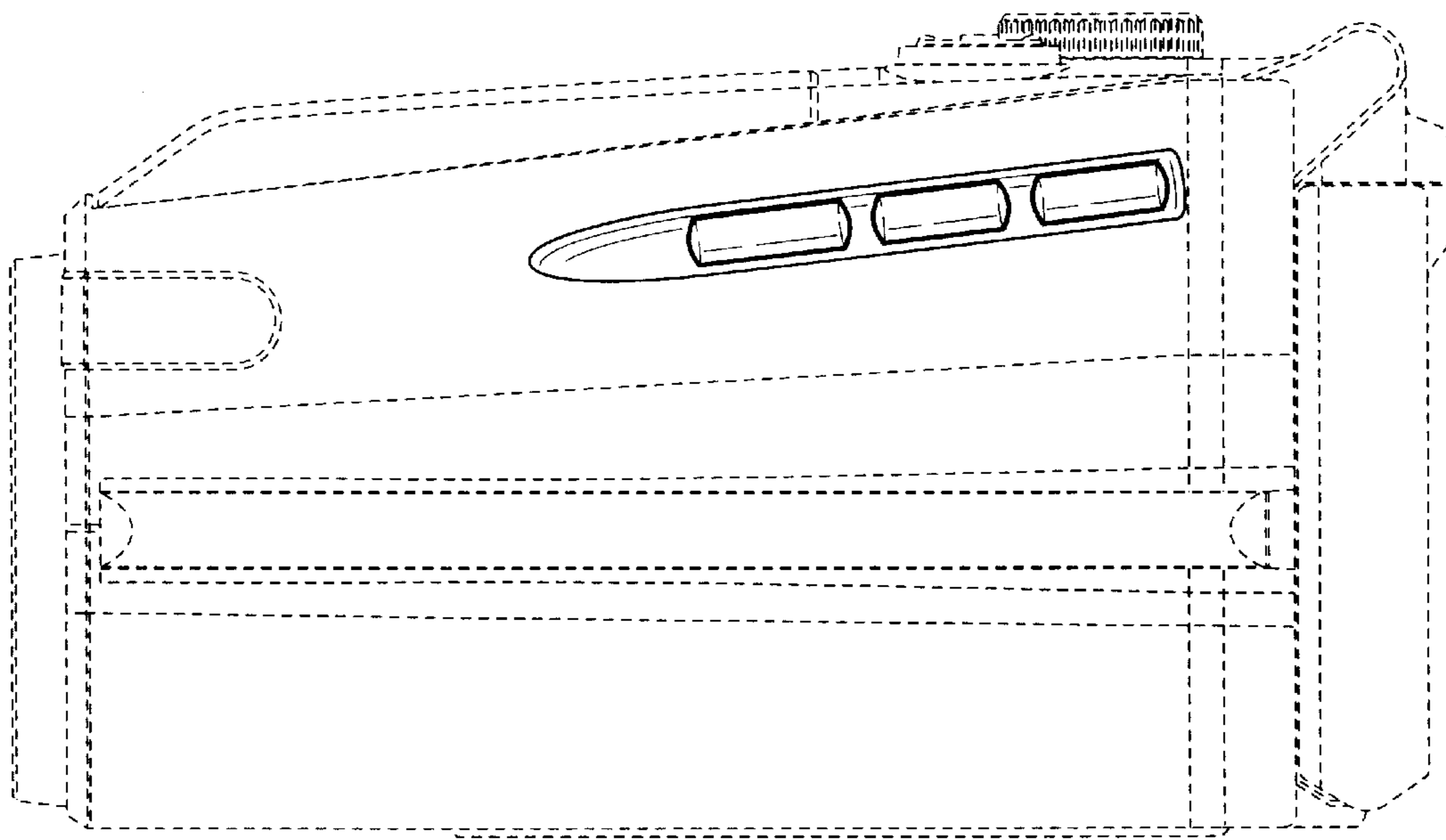


FIG. 5

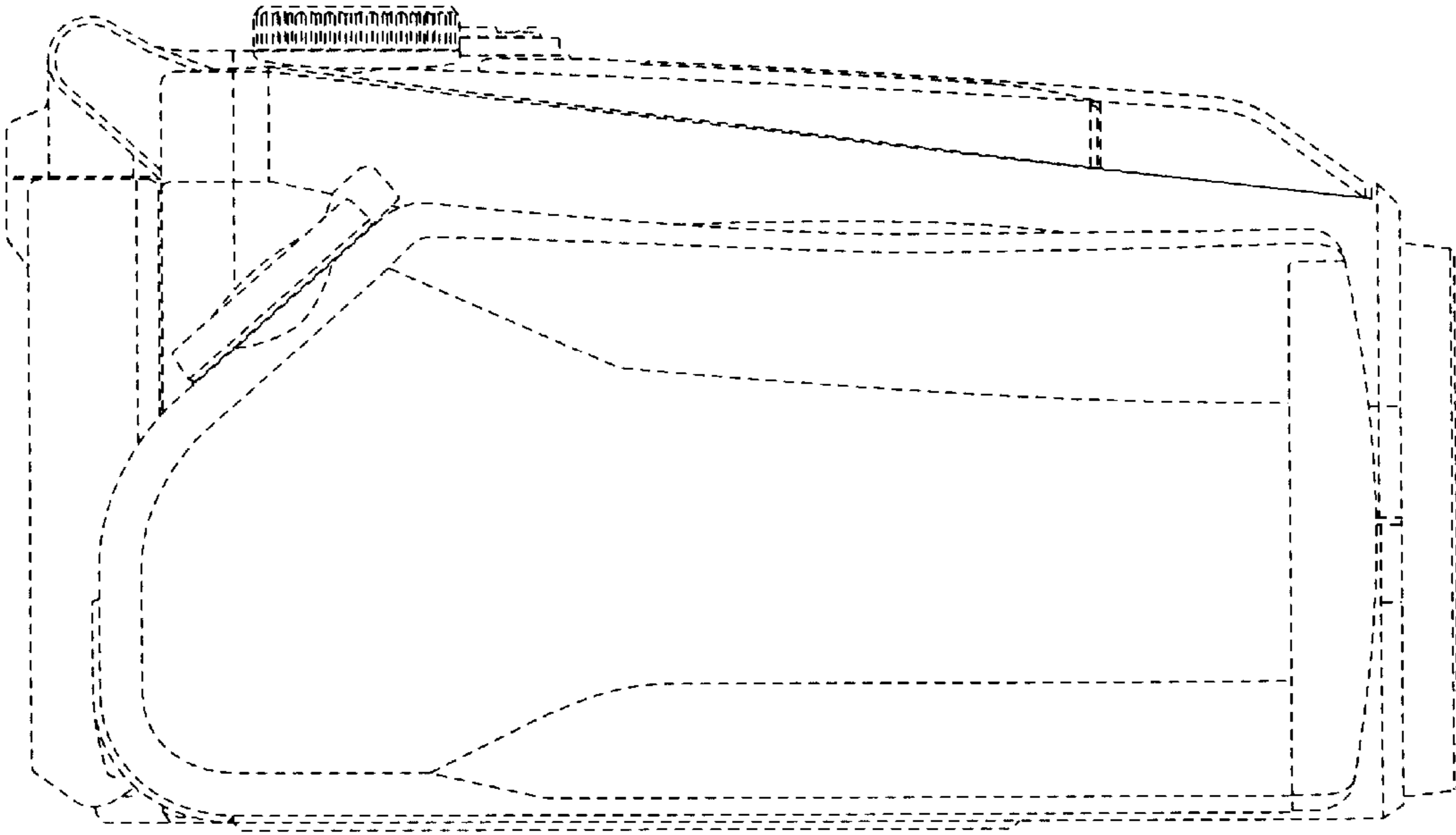


FIG. 6

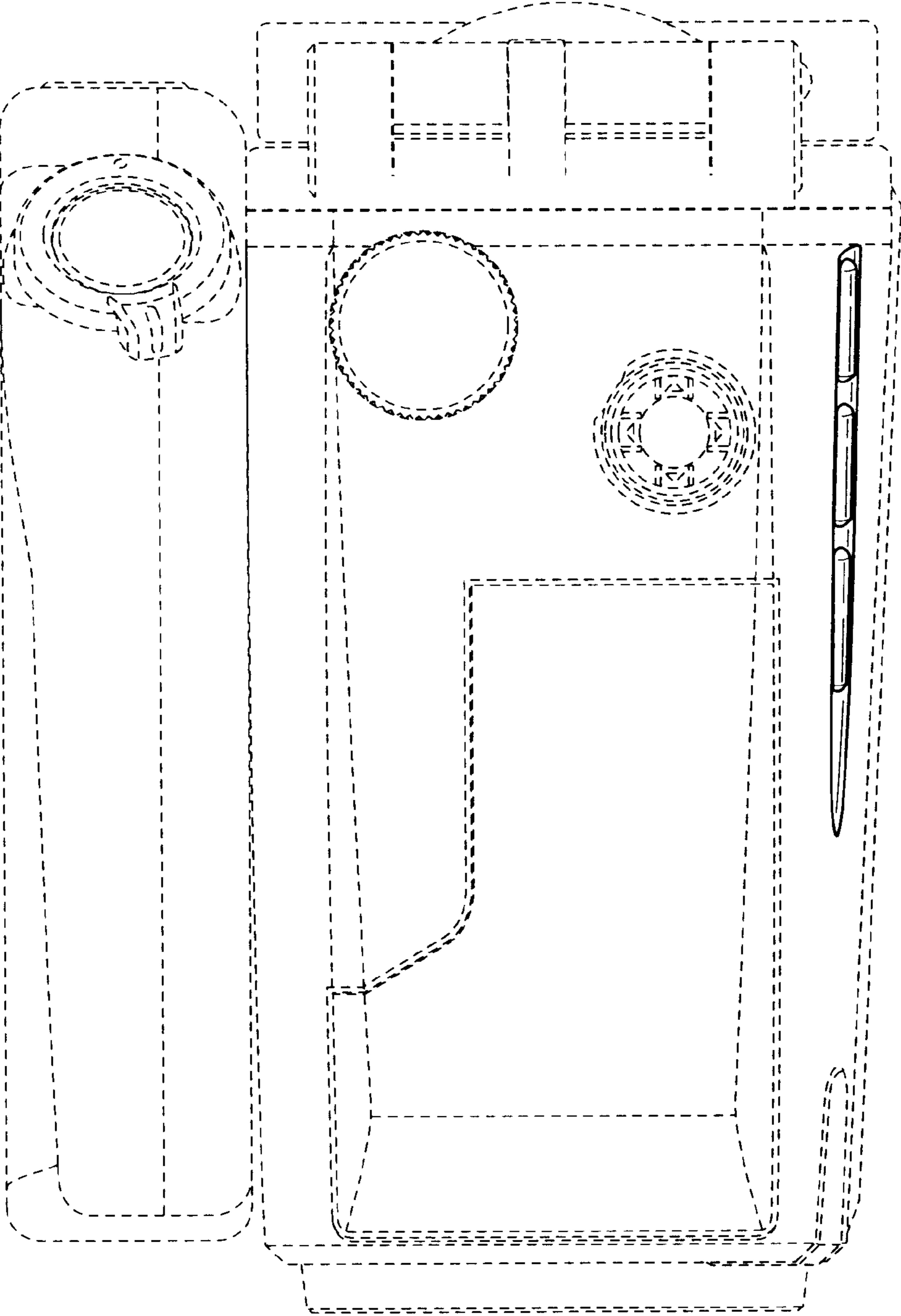


FIG. 7

