



US00D513751S

(12) **United States Design Patent**  
**Alo et al.**

(10) **Patent No.:** **US D513,751 S**  
(45) **Date of Patent:** **\*\* Jan. 24, 2006**

(54) **DISK DRIVE BEZEL TRAY**  
(75) Inventors: **Roland Kamakau Alo**, Cary, NC (US);  
**David Frederick Champion**, Durham,  
NC (US); **William Michael Monson**,  
Rochester, MN (US); **Tim Kerry**  
**Murphy**, St. George, UT (US)

(73) Assignee: **International Business Machines**  
**Corporation**, Armonk, NY (US)

(\*\*) Term: **14 Years**

(21) Appl. No.: **29/210,776**

(22) Filed: **Aug. 5, 2004**

(51) **LOC (8) Cl.** ..... **14-02**

(52) **U.S. Cl.** ..... **D14/442**

(58) **Field of Classification Search** ..... D14/363,  
D14/366, 367, 370, 432, 442; D13/162, 184,  
D13/199; 312/223.1, 223.3; 360/99.01-99.12;  
369/34.01, 36.01; 361/680-686

See application file for complete search history.

(56) **References Cited**

**U.S. PATENT DOCUMENTS**

4,754,397 A \* 6/1988 Varaiya et al. .... 361/685  
4,941,841 A \* 7/1990 Darden et al. .... 361/685

D383,736 S \* 9/1997 Corrington et al. .... D14/367  
D423,479 S \* 4/2000 Alo et al. .... D14/432  
D434,774 S \* 12/2000 Alo et al. .... D14/442  
D446,216 S \* 8/2001 Alo et al. .... D14/442

\* cited by examiner

*Primary Examiner*—Freda S. Nunn

(74) *Attorney, Agent, or Firm*—James R. Nock

(57) **CLAIM**

The ornamental design of a disk drive bezel tray, as shown and described.

**DESCRIPTION**

FIG. 1 is a front, left isometric view of a disk drive bezel tray, showing our new design;

FIG. 2 is a front, right isometric view thereof;

FIG. 3 is a front plan view thereof;

FIG. 4 is a right plan view thereof;

FIG. 5 is a left plan view thereof;

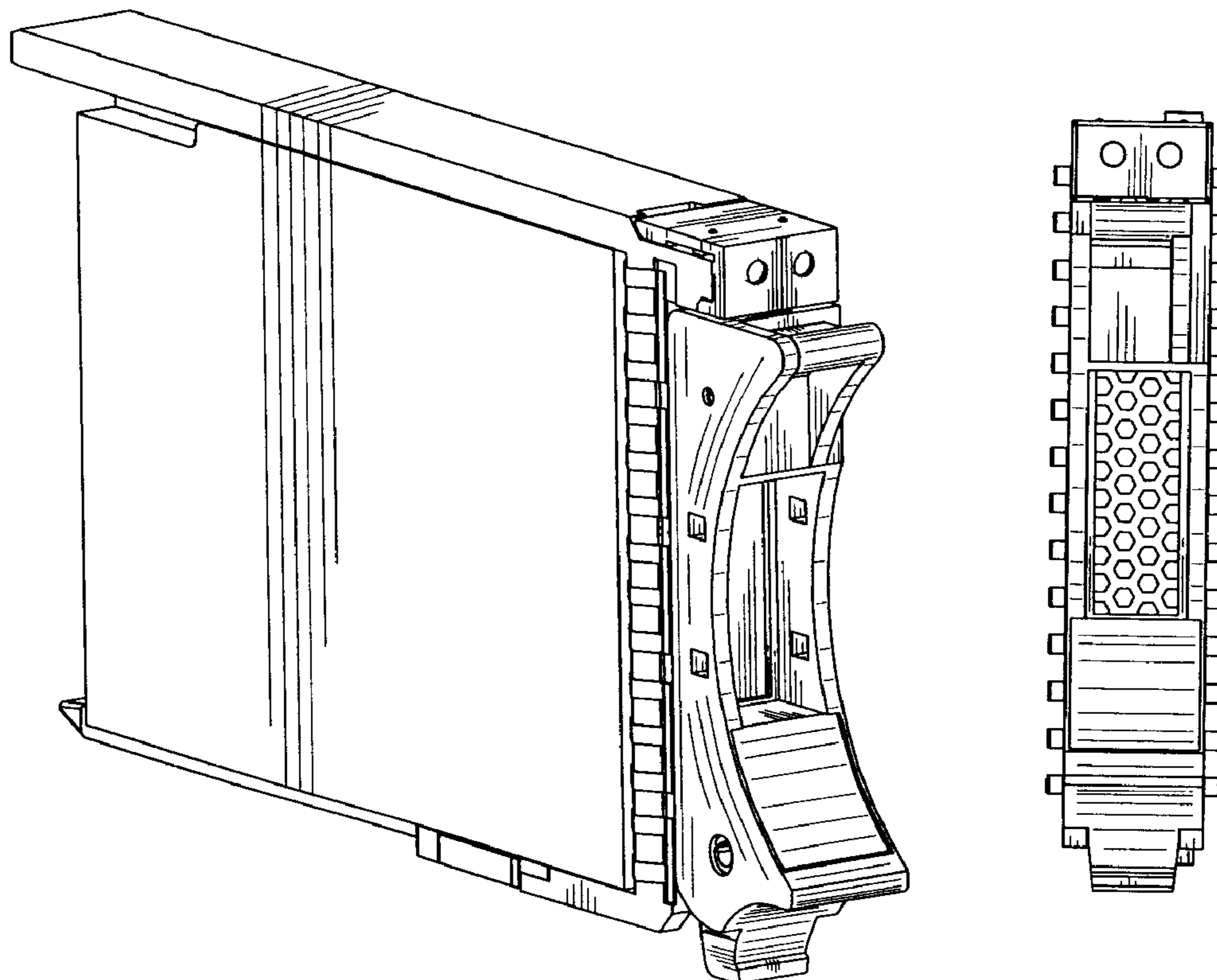
FIG. 6 is a top plan view thereof;

FIG. 7 is a bottom plan view thereof;

FIG. 8 is a front, left isometric view of a second embodiment of the disk drive bezel tray, showing an alternative design of the front; and,

FIG. 9 is a front plan view of the second embodiment.

**1 Claim, 9 Drawing Sheets**



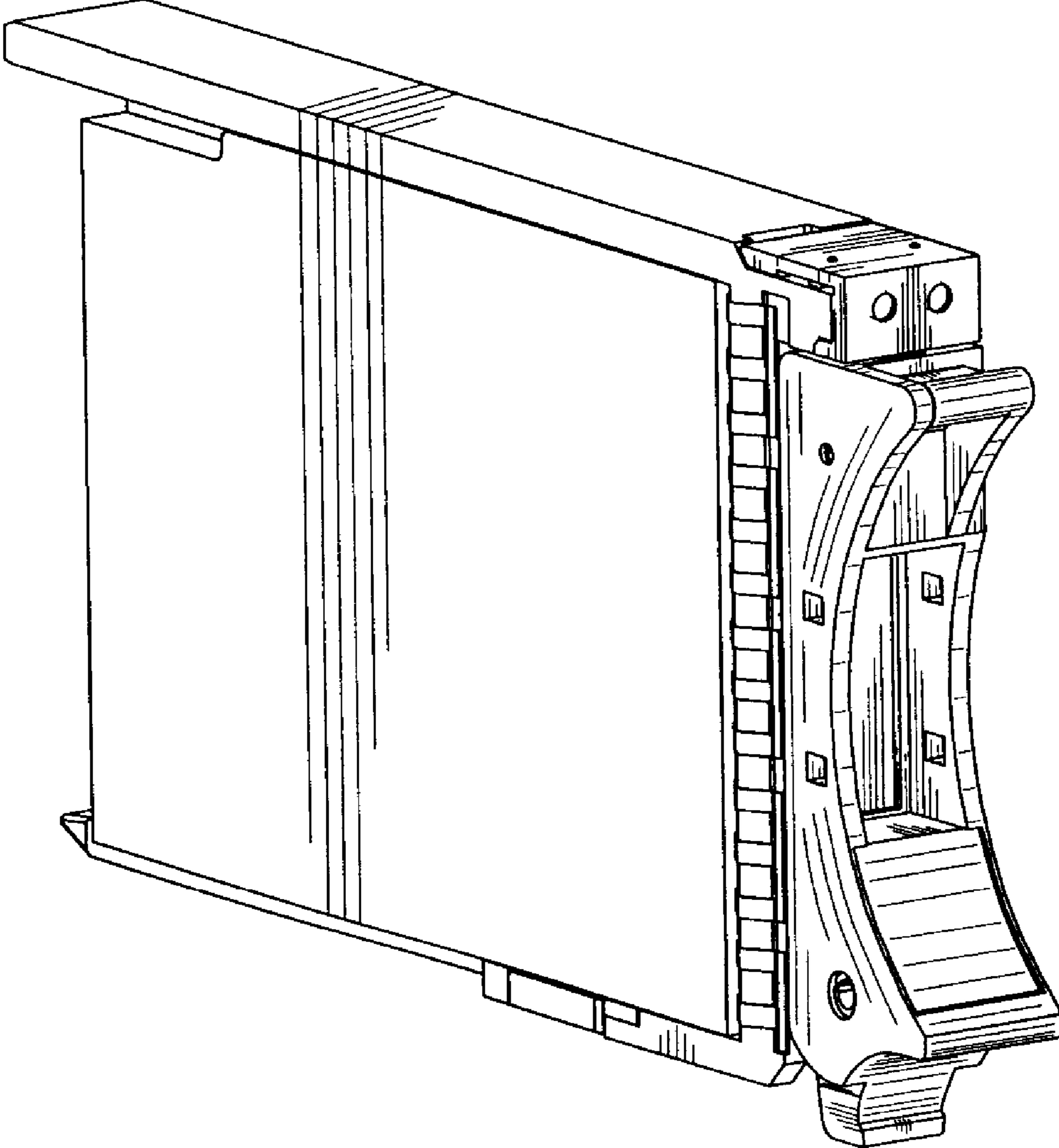


Fig. 1

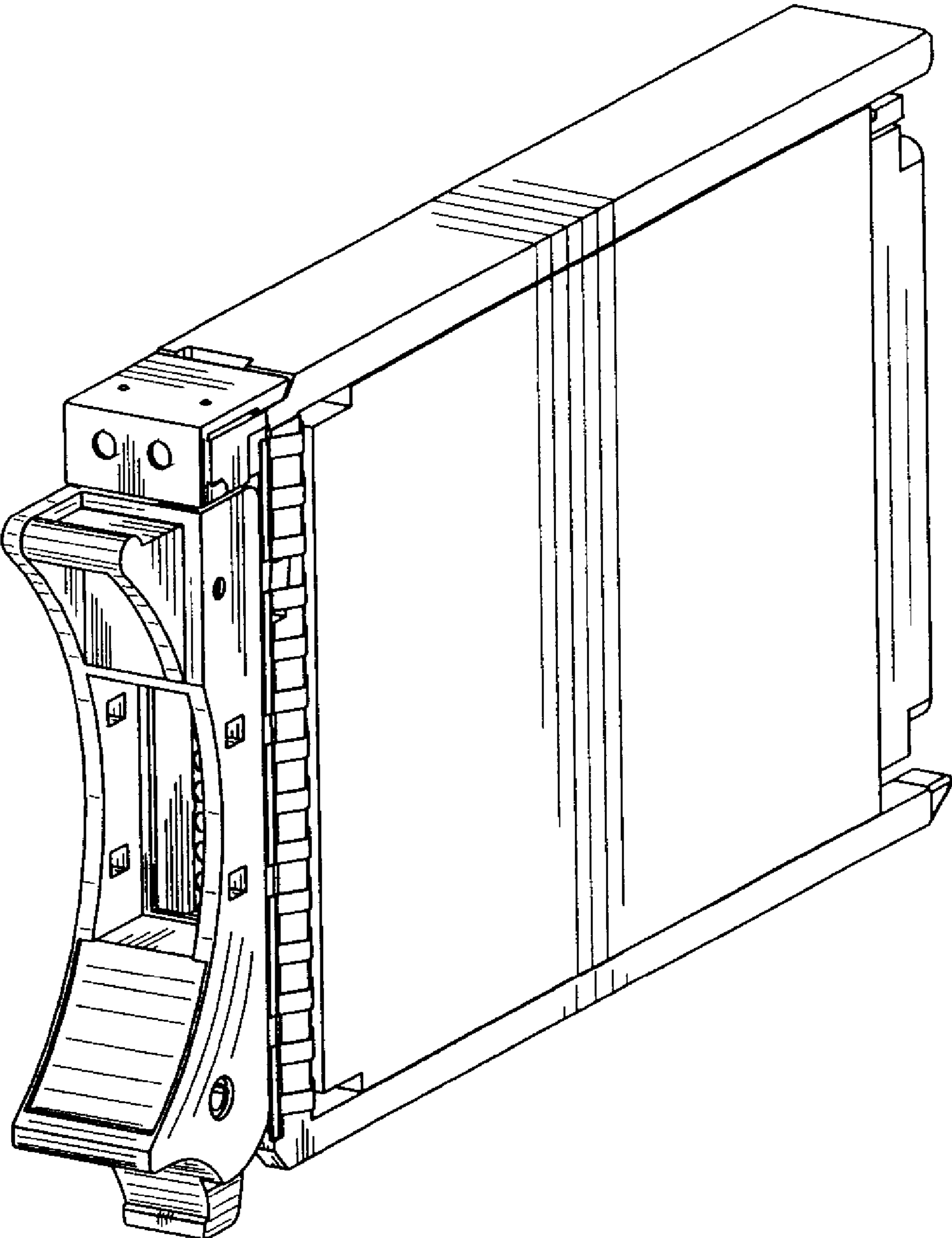


Fig. 2

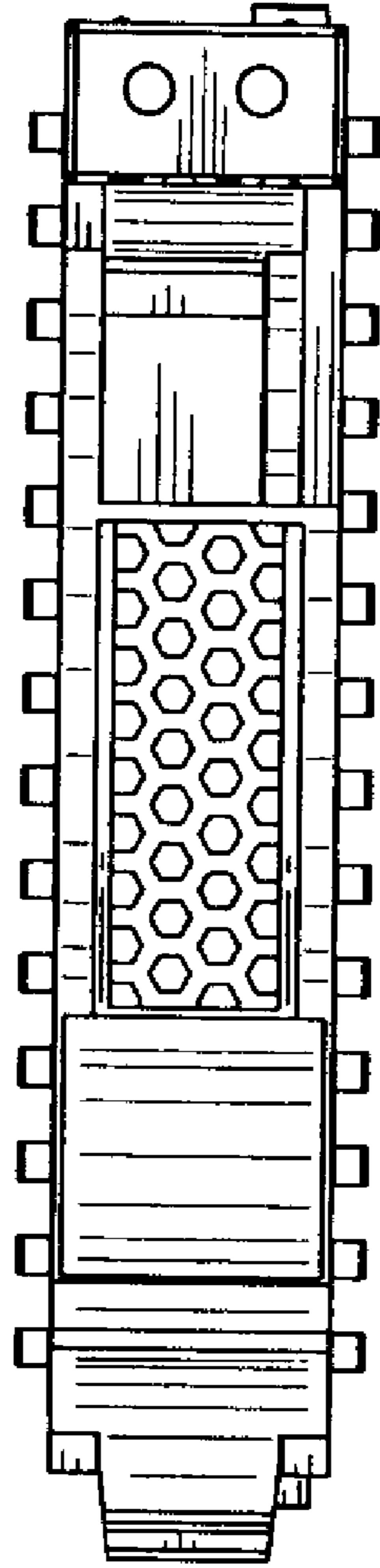


Fig. 3

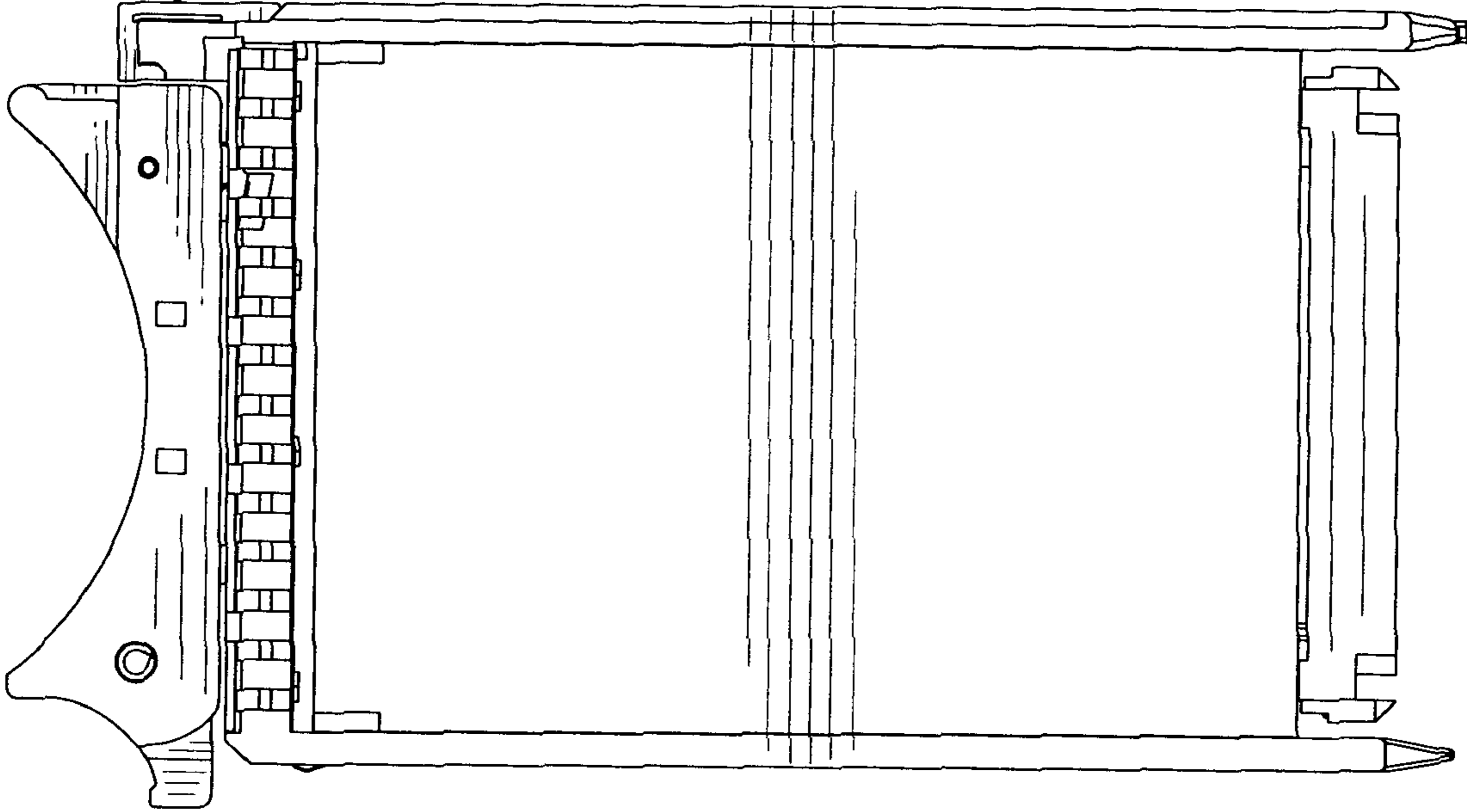


Fig. 4

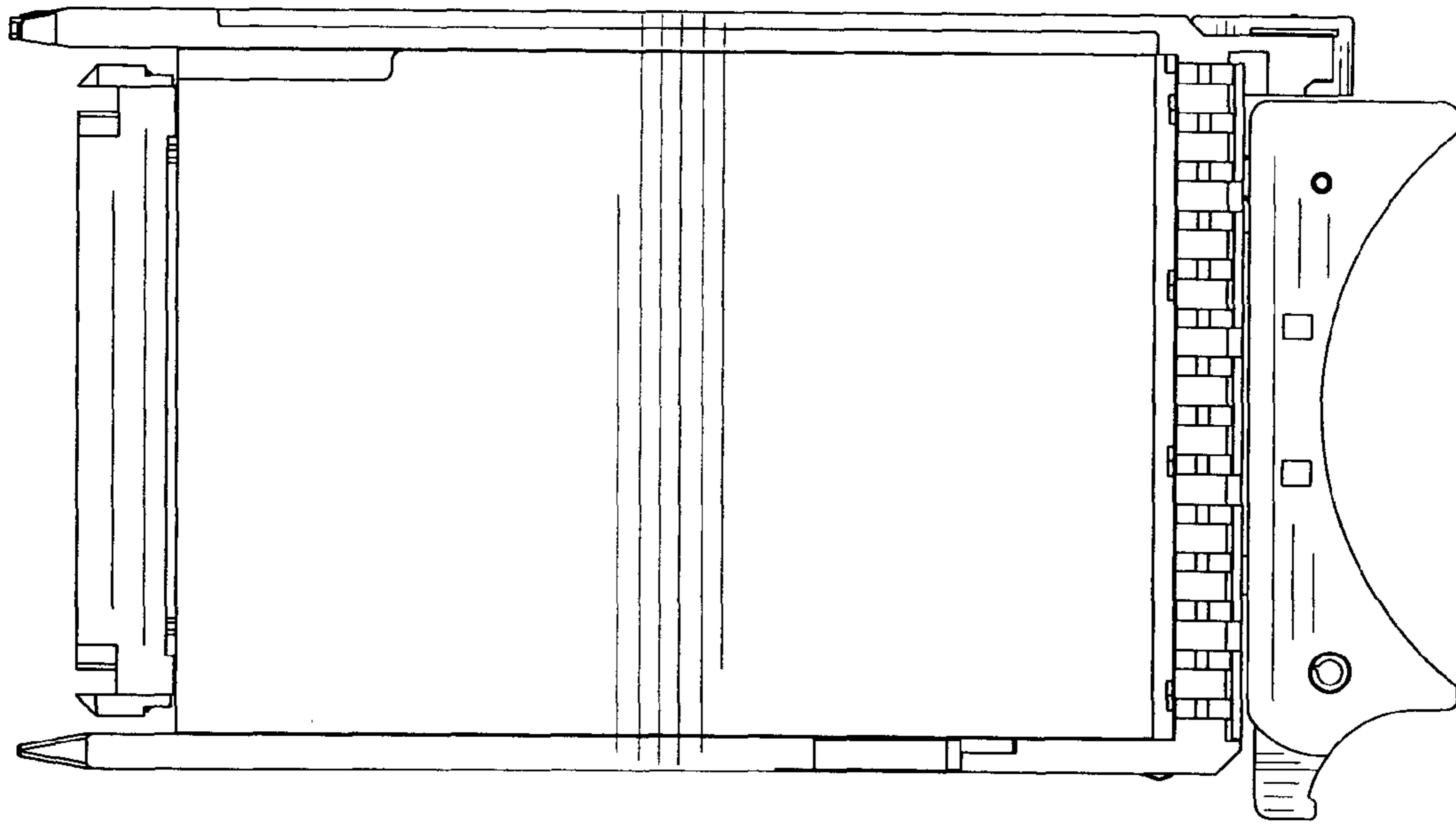


Fig. 5

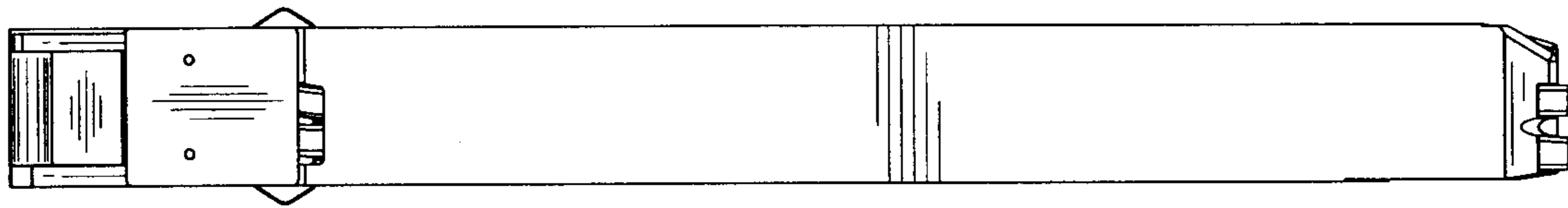


Fig. 6

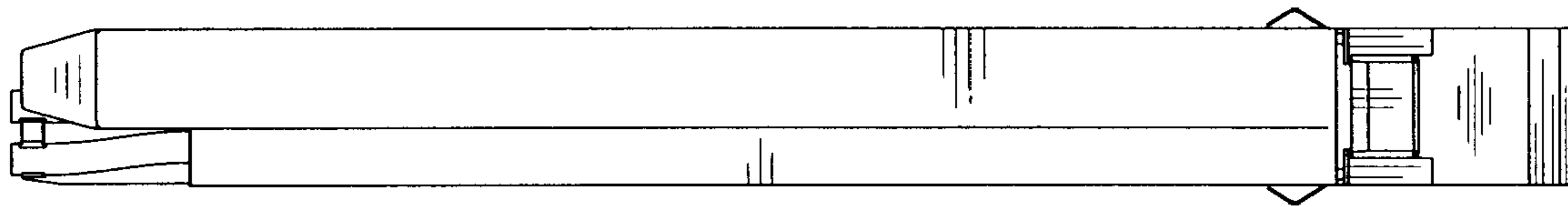


Fig. 7



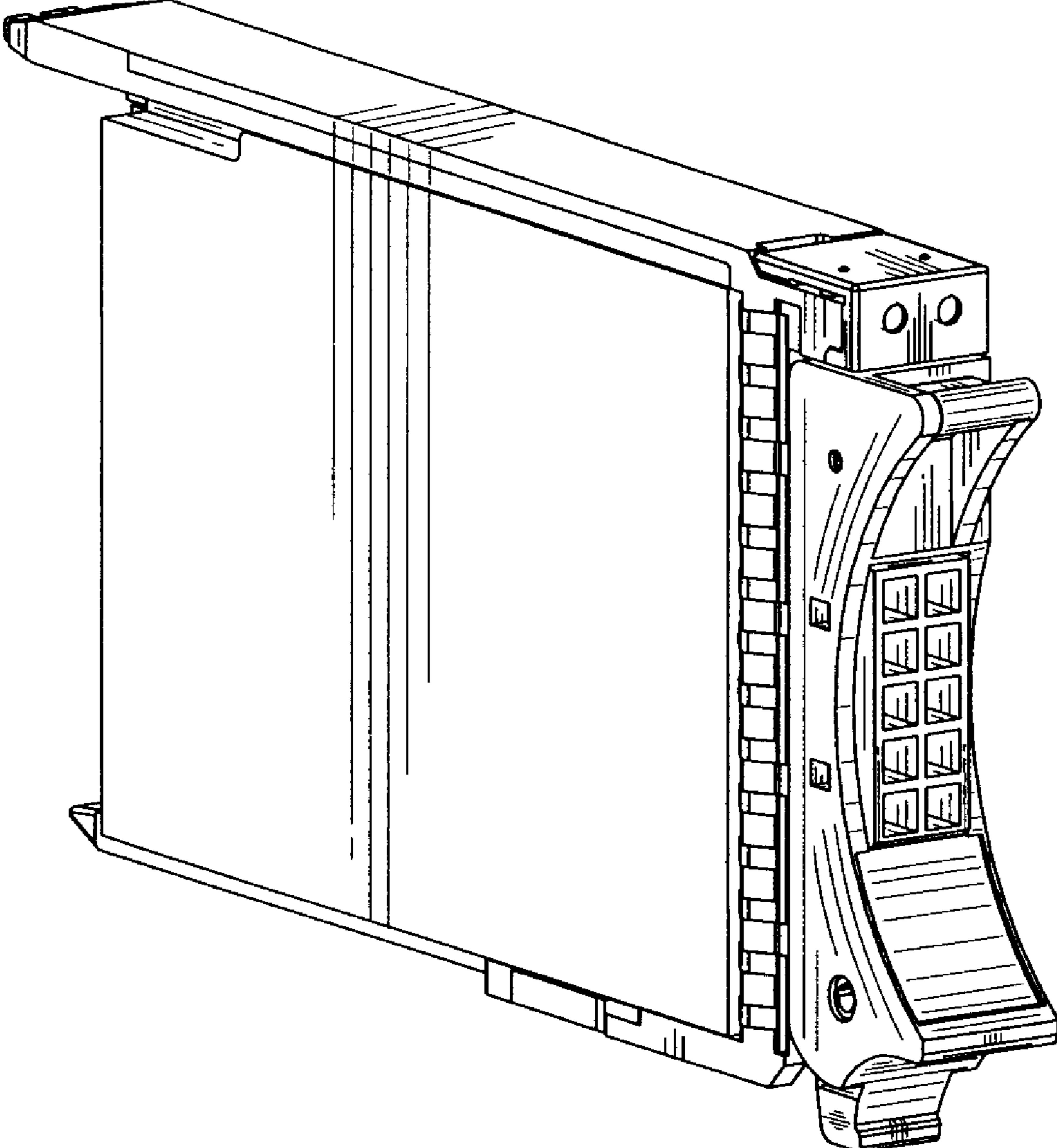


Fig. 8

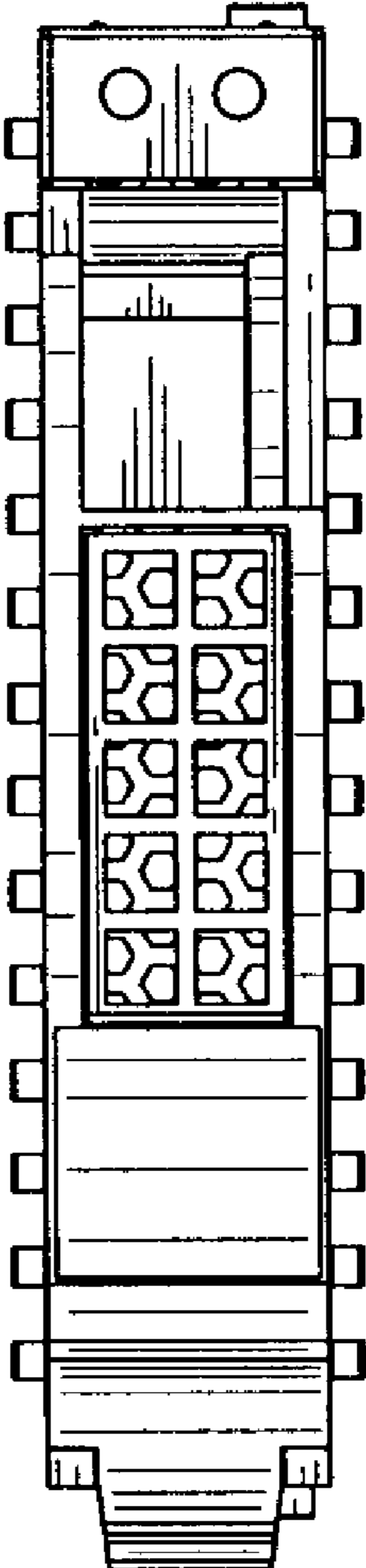


Fig. 9