



US00D513747S

(12) **United States Design Patent**
Chin et al.

(10) **Patent No.:** **US D513,747 S**
(45) **Date of Patent:** **** Jan. 24, 2006**

(54) **SPEAKER**
(75) Inventors: **Eric Y. Chin**, Irvine, CA (US); **Steven Chen**, Irvine, CA (US)

D274,058 S * 5/1984 Gross D14/215
D392,640 S * 3/1998 Tully et al. D14/216
D393,642 S * 4/1998 Yuyama D14/216
D448,017 S * 9/2001 Hasbrook D14/216

(73) Assignee: **Realworld Technology Inc.**, City of Industry, CA (US)

* cited by examiner

(**) Term: **14 Years**

Primary Examiner—Nanda Bondade
(74) *Attorney, Agent, or Firm*—J. C. Patents

(21) Appl. No.: **29/199,695**

(22) Filed: **Feb. 17, 2004**

(57) **CLAIM**

The ornamental design for a speaker, as shown and described.

(51) **LOC (8) Cl.** **14-01**

(52) **U.S. Cl.** **D14/216**

(58) **Field of Classification Search** D14/204,
D14/207, 209–216, 356; 181/143–144, 147–148,
181/150, 157, 198–199, 151, 153; 381/300–302,
381/306, 333, 345, 361–364, 386–388, 332,
381/336

DESCRIPTION

See application file for complete search history.

FIG. 1 is a perspective view of a speaker showing the new design.

FIG. 2 is a front elevational view thereof.

FIG. 3 is a rear elevational view thereof.

FIG. 4 is a left side elevational view thereof.

FIG. 5 is a right side elevational view thereof.

FIG. 6 is a top plan view thereof; and,

FIG. 7 is a bottom plan view thereof.

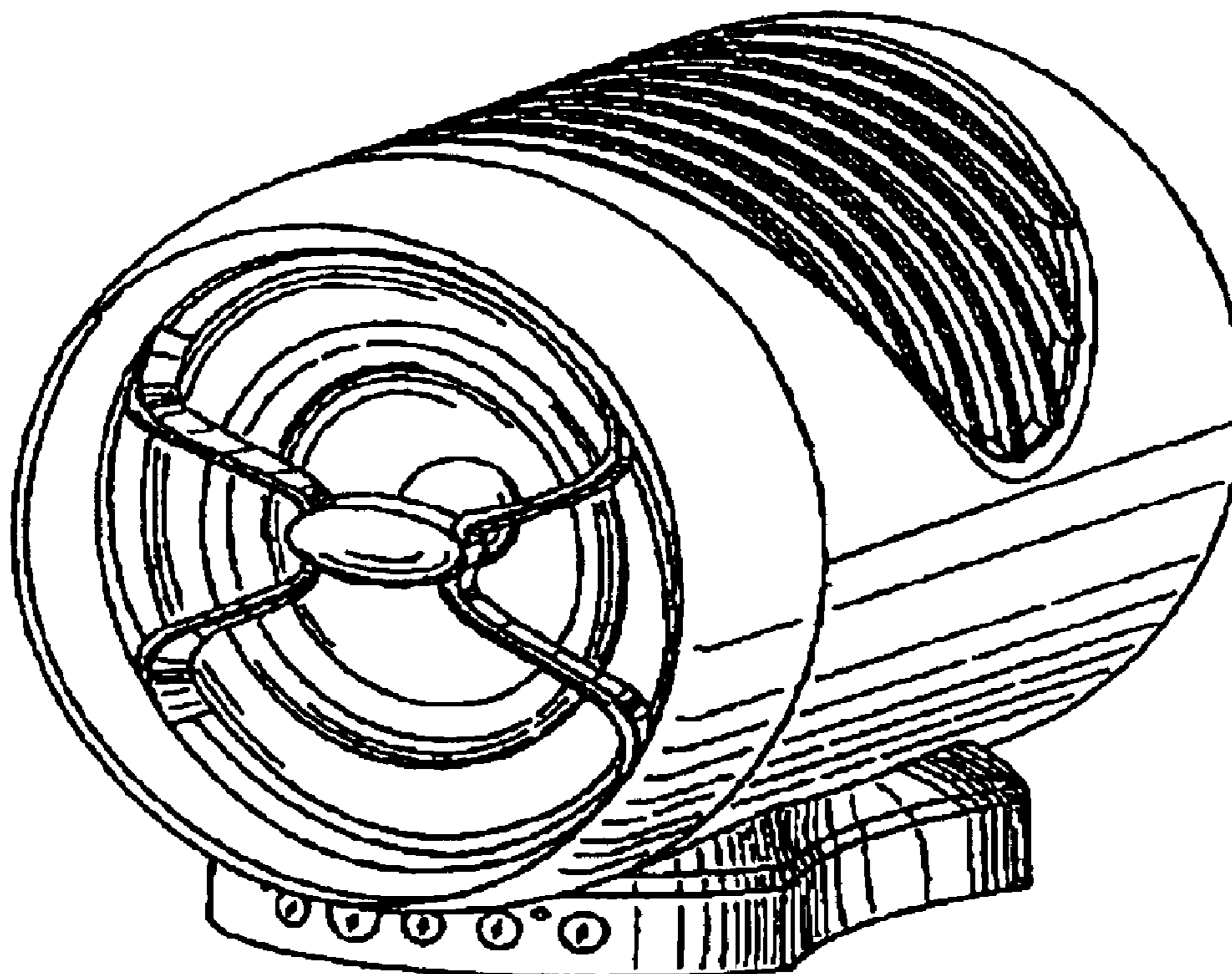
The functional features shown in broken line in the right side elevational view are shown for illustrative purpose only and form no limitation to the claimed design.

(56) **References Cited**

U.S. PATENT DOCUMENTS

2,896,737 A * 7/1959 Gellman 181/153
D223,580 S * 5/1972 Richards D14/215

1 Claim, 6 Drawing Sheets



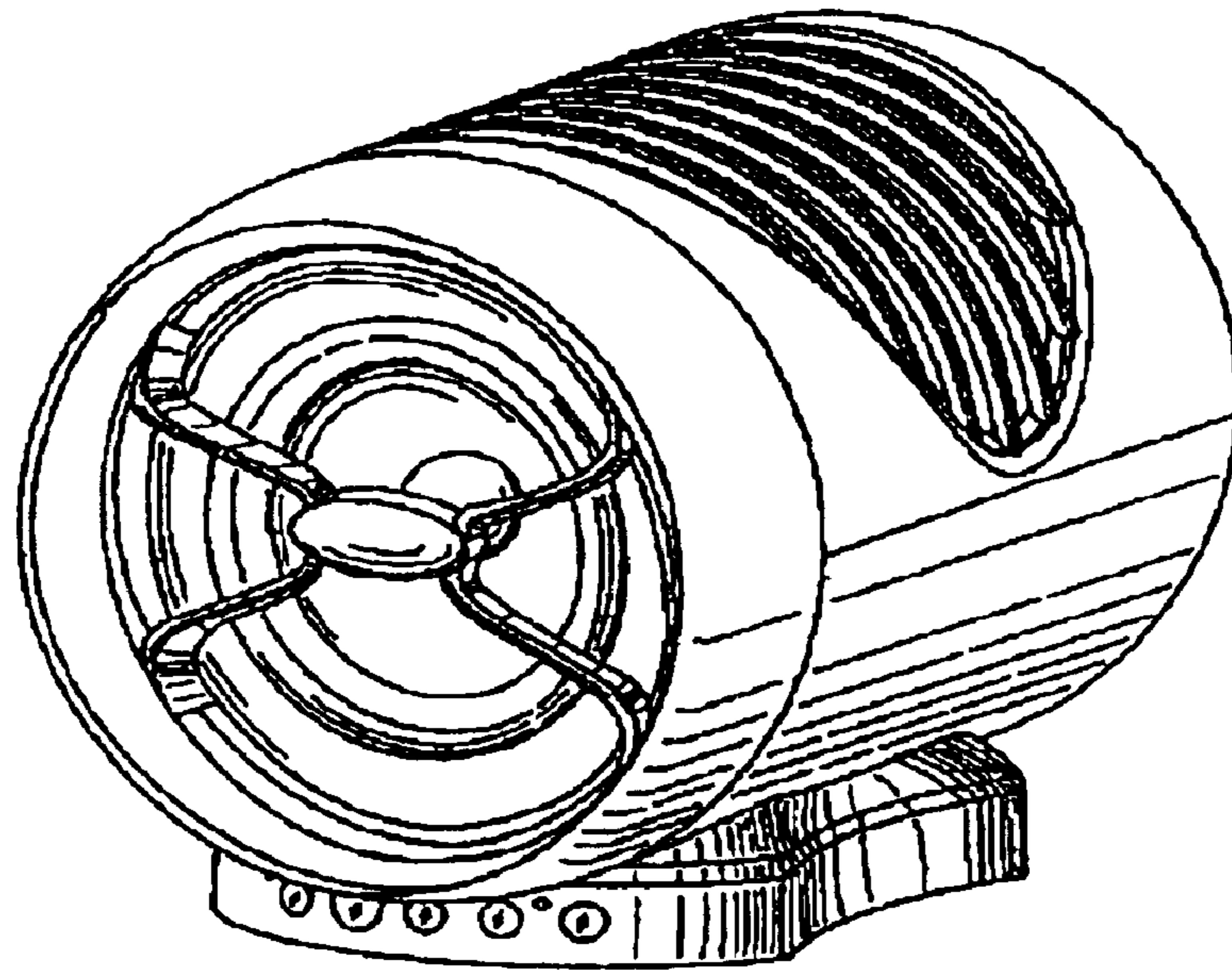


FIG. 1

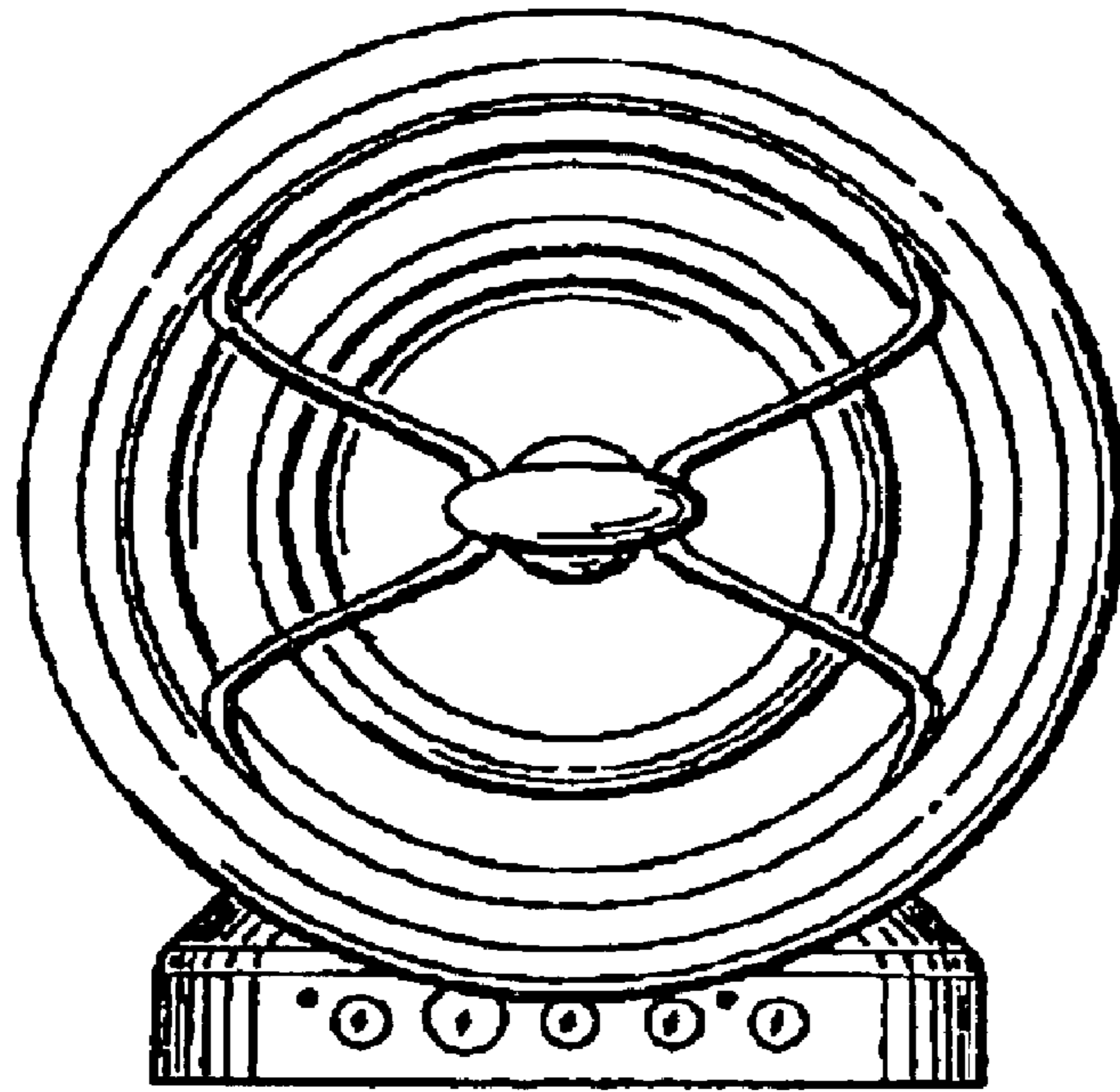


FIG. 2

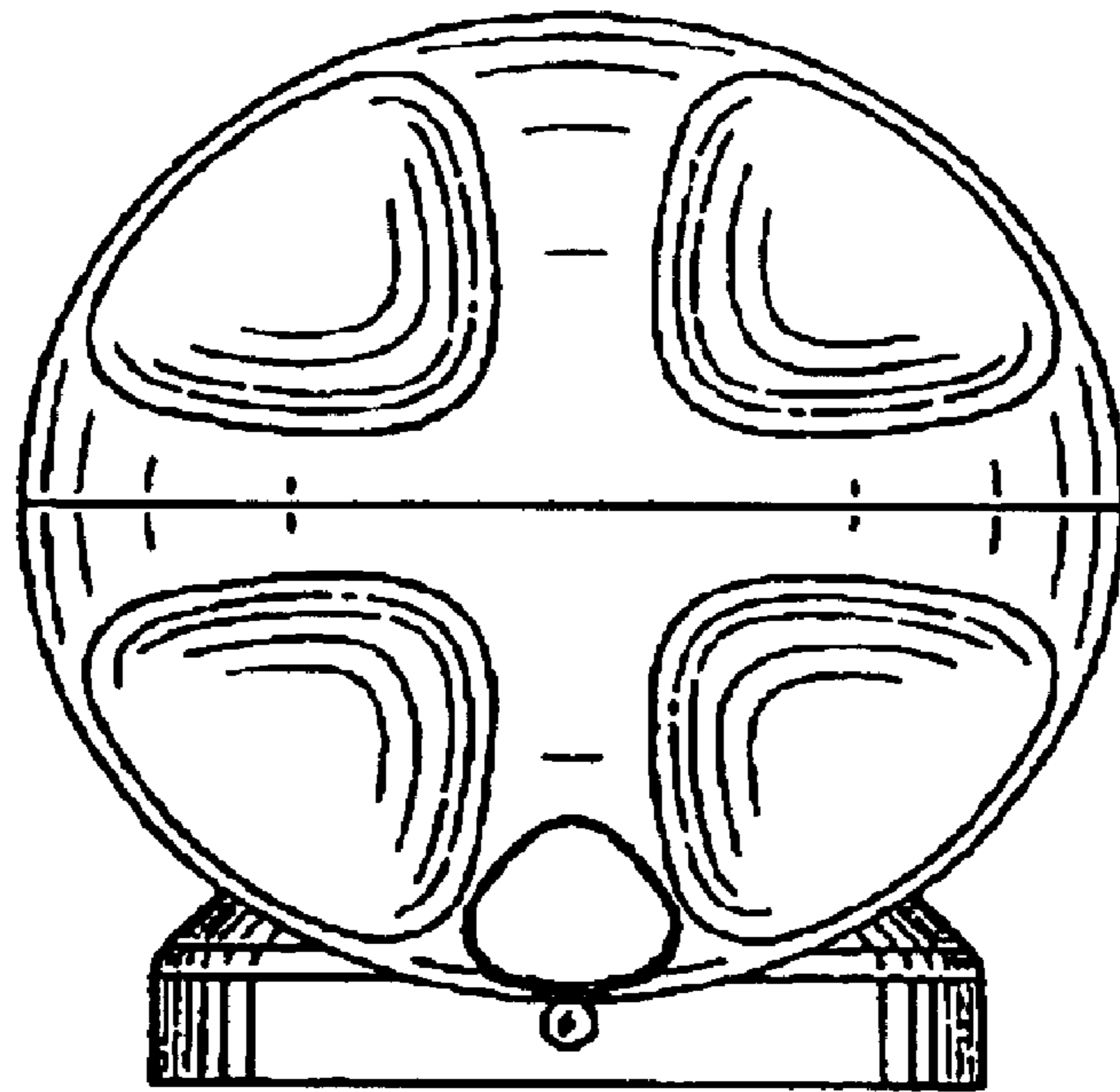


FIG. 3

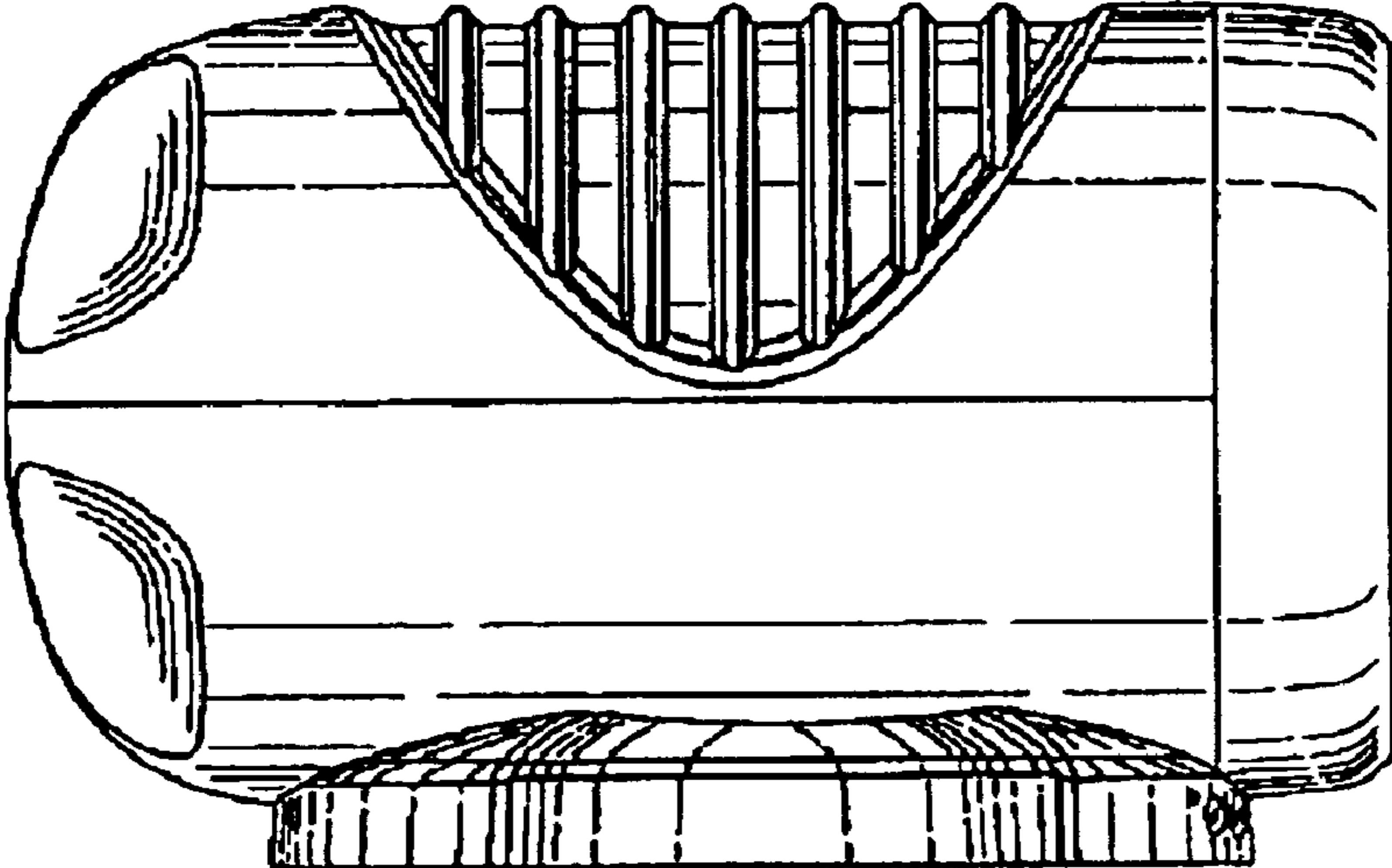


FIG. 4

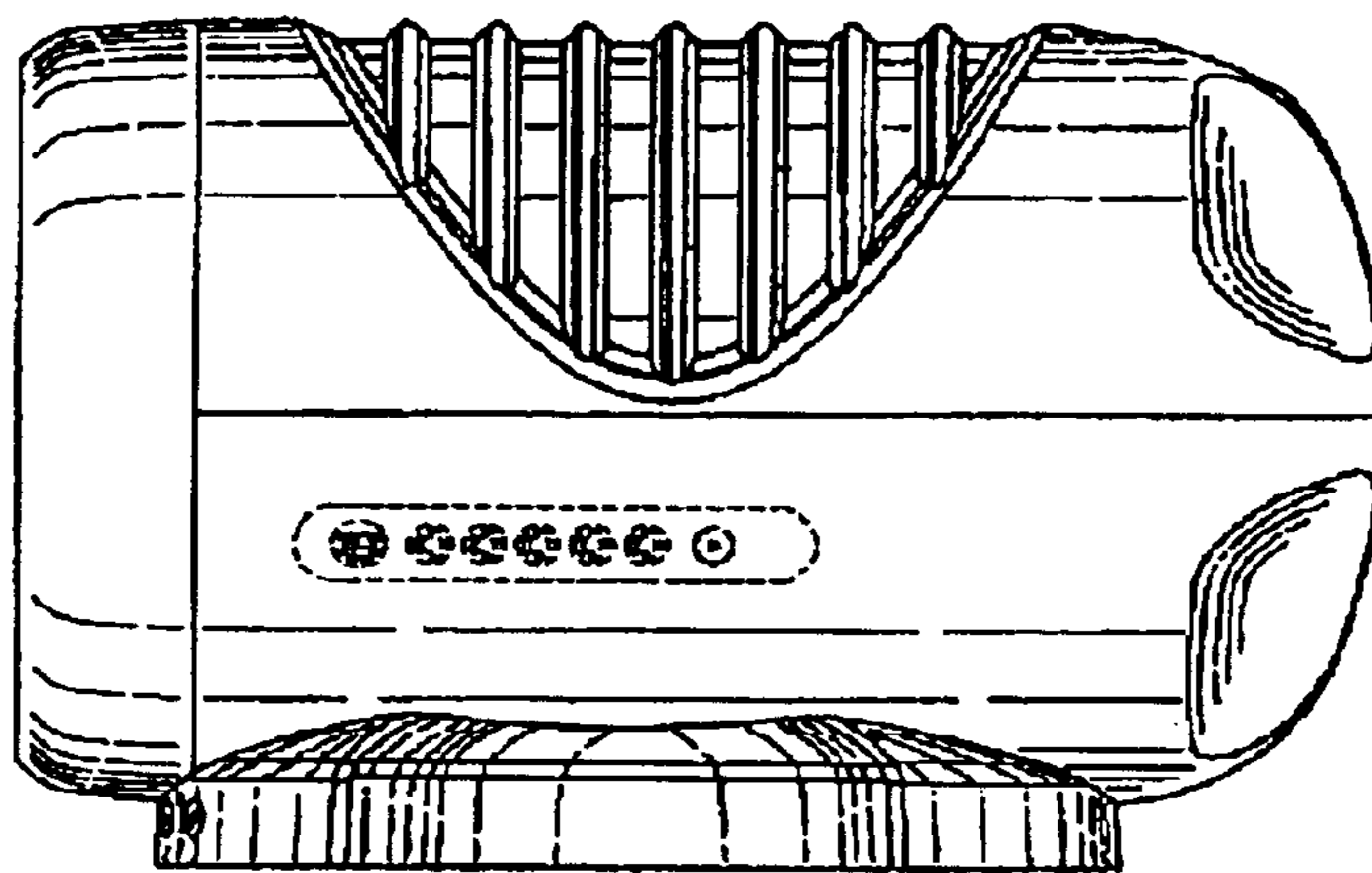


FIG. 5

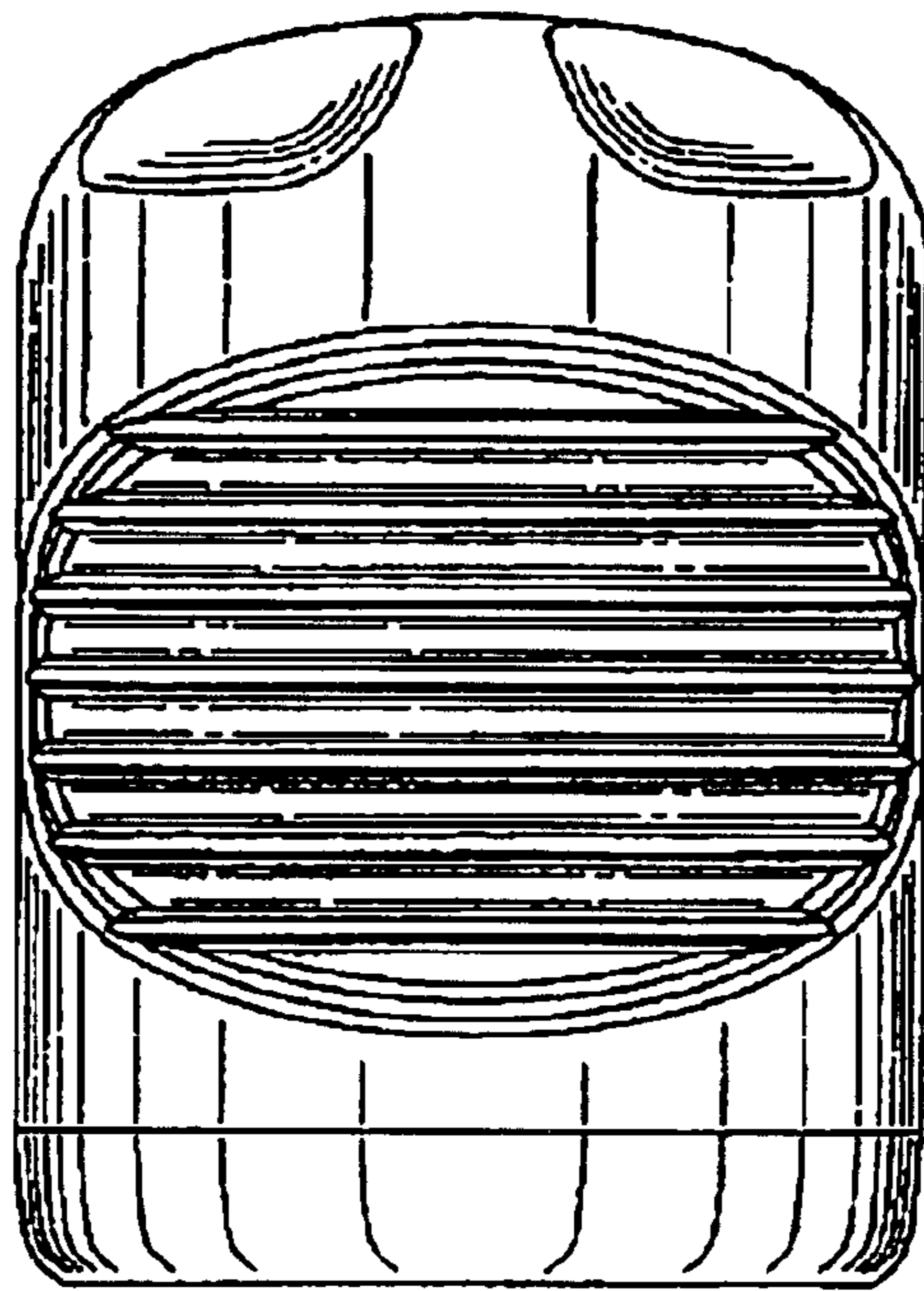


FIG. 6

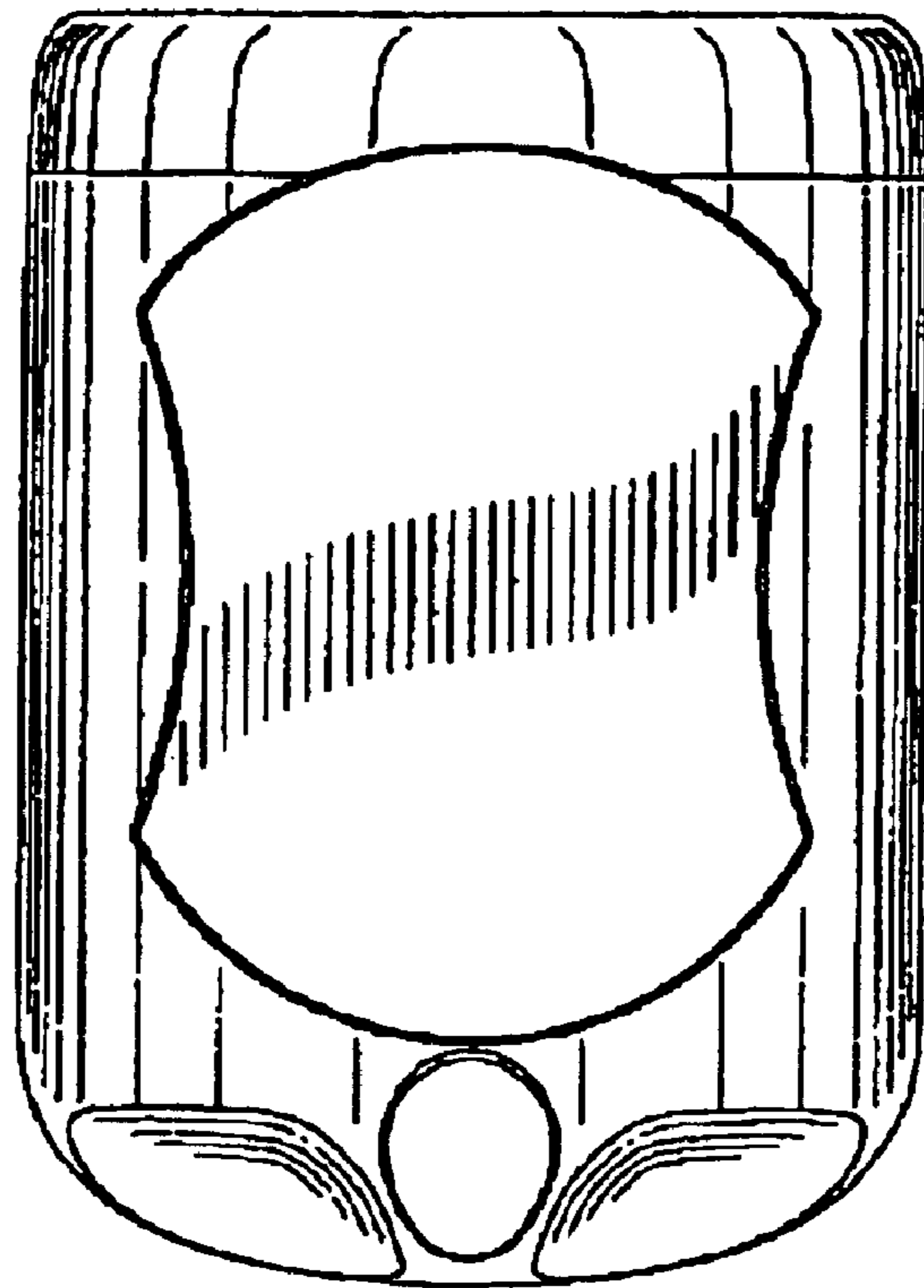


FIG. 7