



US00D513745S

(12) **United States Design Patent**
Allen

(10) **Patent No.:** **US D513,745 S**
(45) **Date of Patent:** **** Jan. 24, 2006**

(54) **LOUDSPEAKER**

(75) **Inventor:** **Graham David Allen**, Alderley Edge
(GB)

(73) **Assignee:** **KH Technology Corporation**,
Georgetown (KY)

(**) **Term:** **14 Years**

(21) **Appl. No.:** **29/176,478**

(22) **Filed:** **Feb. 21, 2003**

(30) **Foreign Application Priority Data**

Aug. 21, 2002 (GB) 3006375

(51) **LOC (8) Cl.** **14-01**

(52) **U.S. Cl.** **D14/211; D14/216; D14/215**

(58) **Field of Classification Search** D14/204,
D14/207, 209-216, 356; 181/143-144, 147-148,
181/150, 157, 198-199, 151, 153; 381/300-302,
381/306, 333, 345, 361-364, 386-388, 332,
381/336

See application file for complete search history.

(56) **References Cited**

U.S. PATENT DOCUMENTS

D277,752 S * 2/1985 Nakamura D14/214

D281,158 S * 10/1985 Ishizaki D14/214
5,546,468 A * 8/1996 Beard 381/86
D469,754 S * 2/2003 Lewis D14/215

* cited by examiner

Primary Examiner—Nanda Bondade

(74) *Attorney, Agent, or Firm*—Myers, Dawes, Andras &
Sherman, LLP

(57) **CLAIM**

I claim the ornamental design for a loudspeaker, substan-
tially as shown and described.

DESCRIPTION

FIG. 1 is a right side perspective view of a loudspeaker
showing my new design;

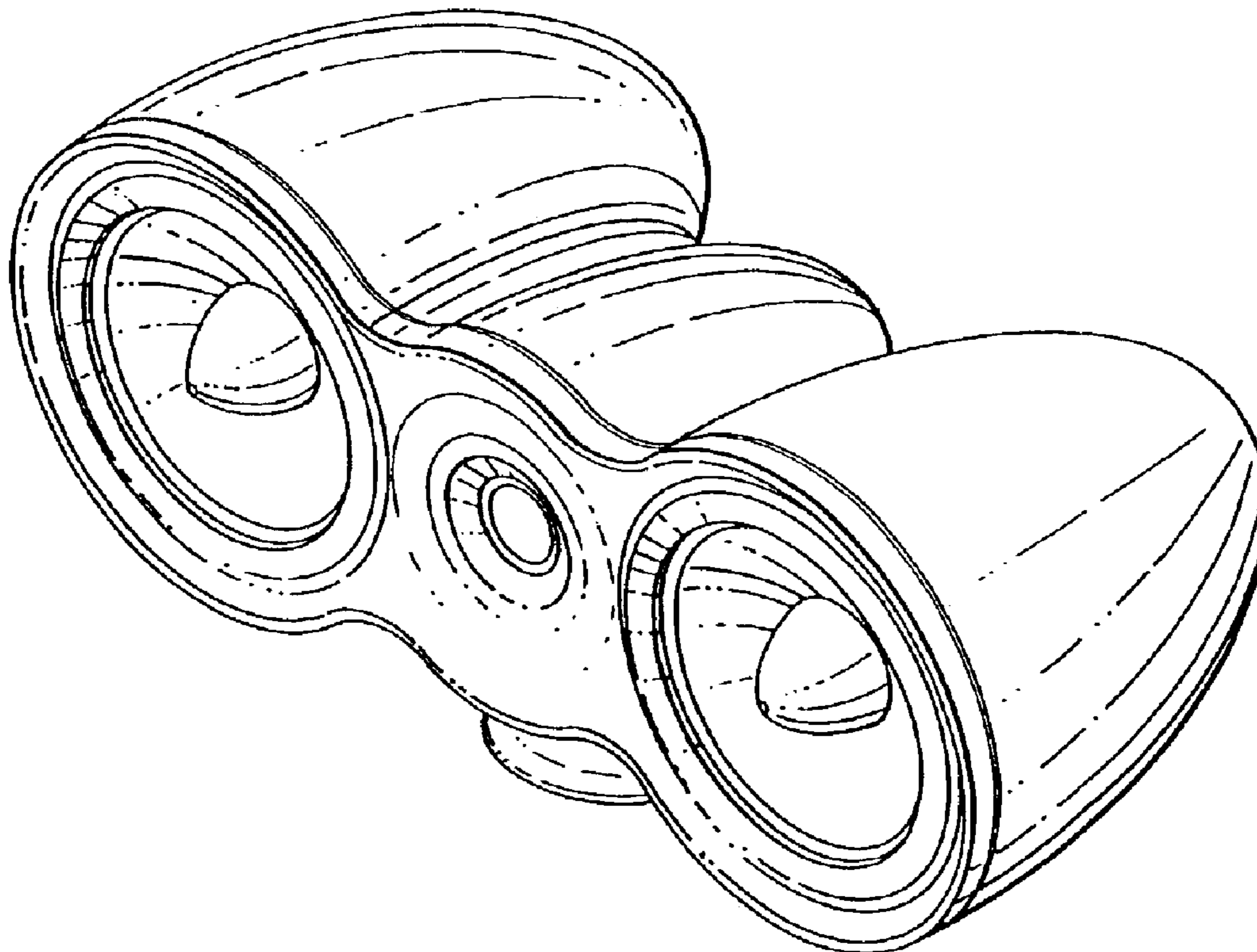
FIG. 2 is a front view thereof;

FIG. 3 is a right side view thereof;

FIG. 4 is a top view thereof; and,

FIG. 5 is a bottom view thereof.

1 Claim, 2 Drawing Sheets



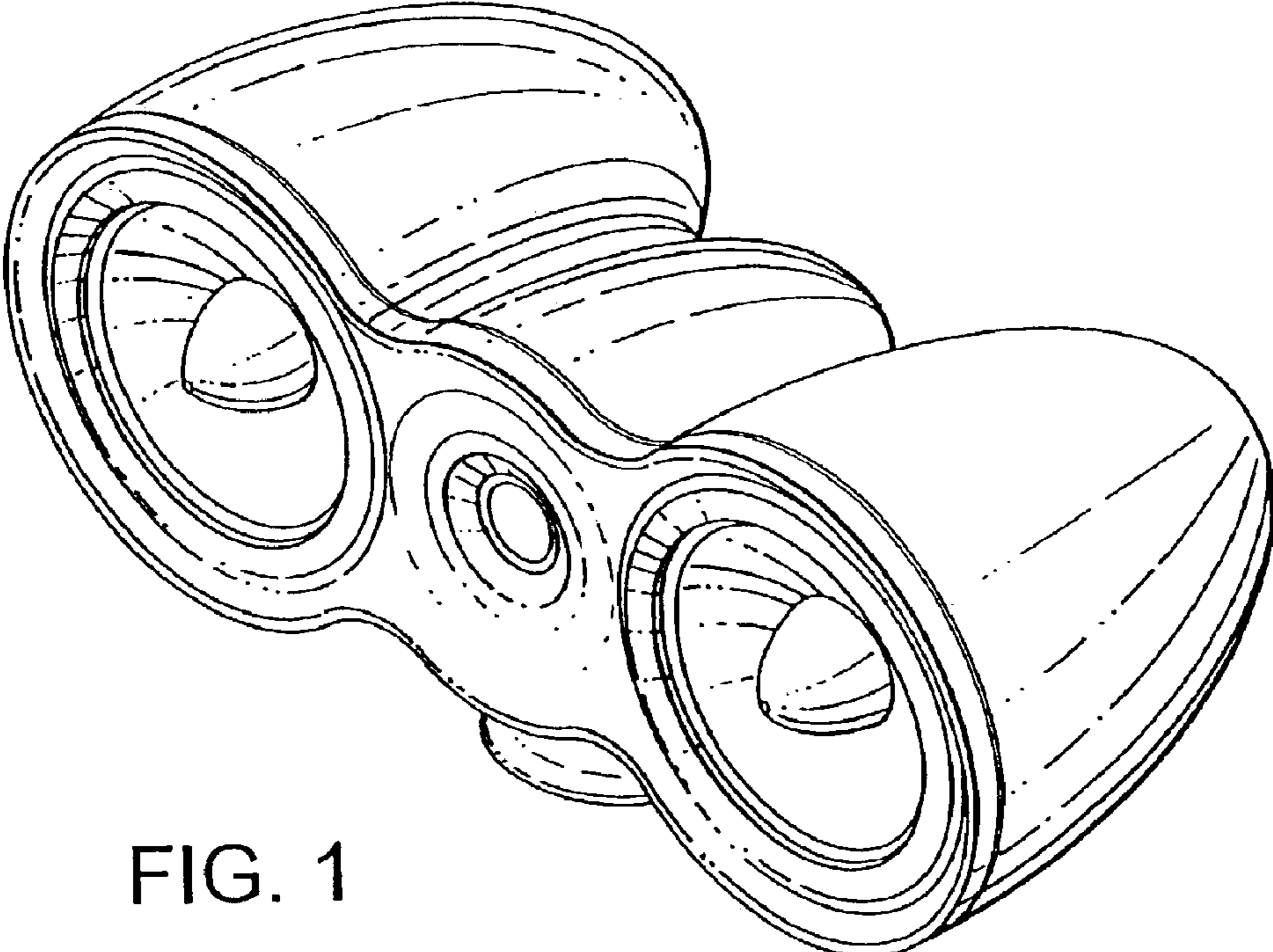


FIG. 1

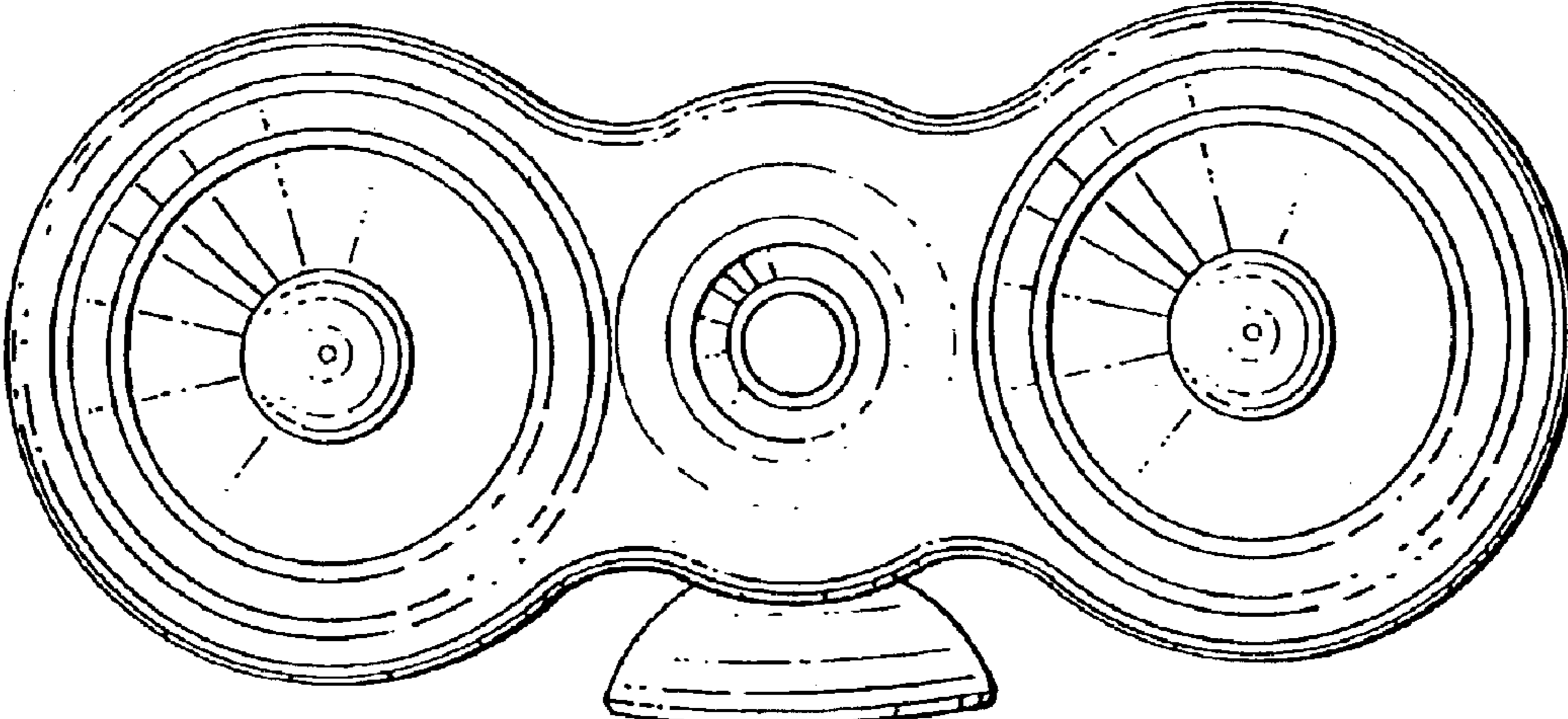


FIG. 2

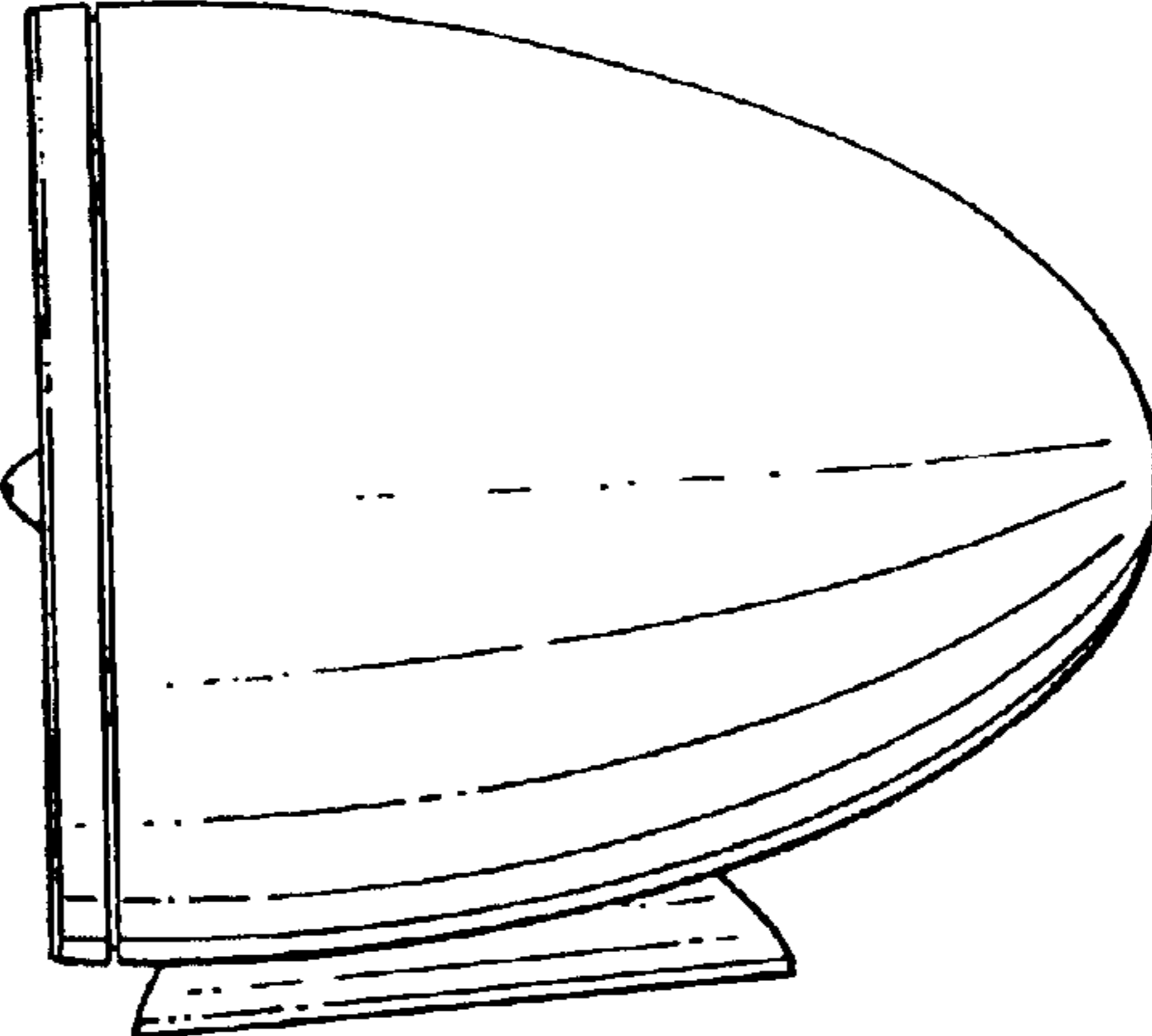


FIG. 3

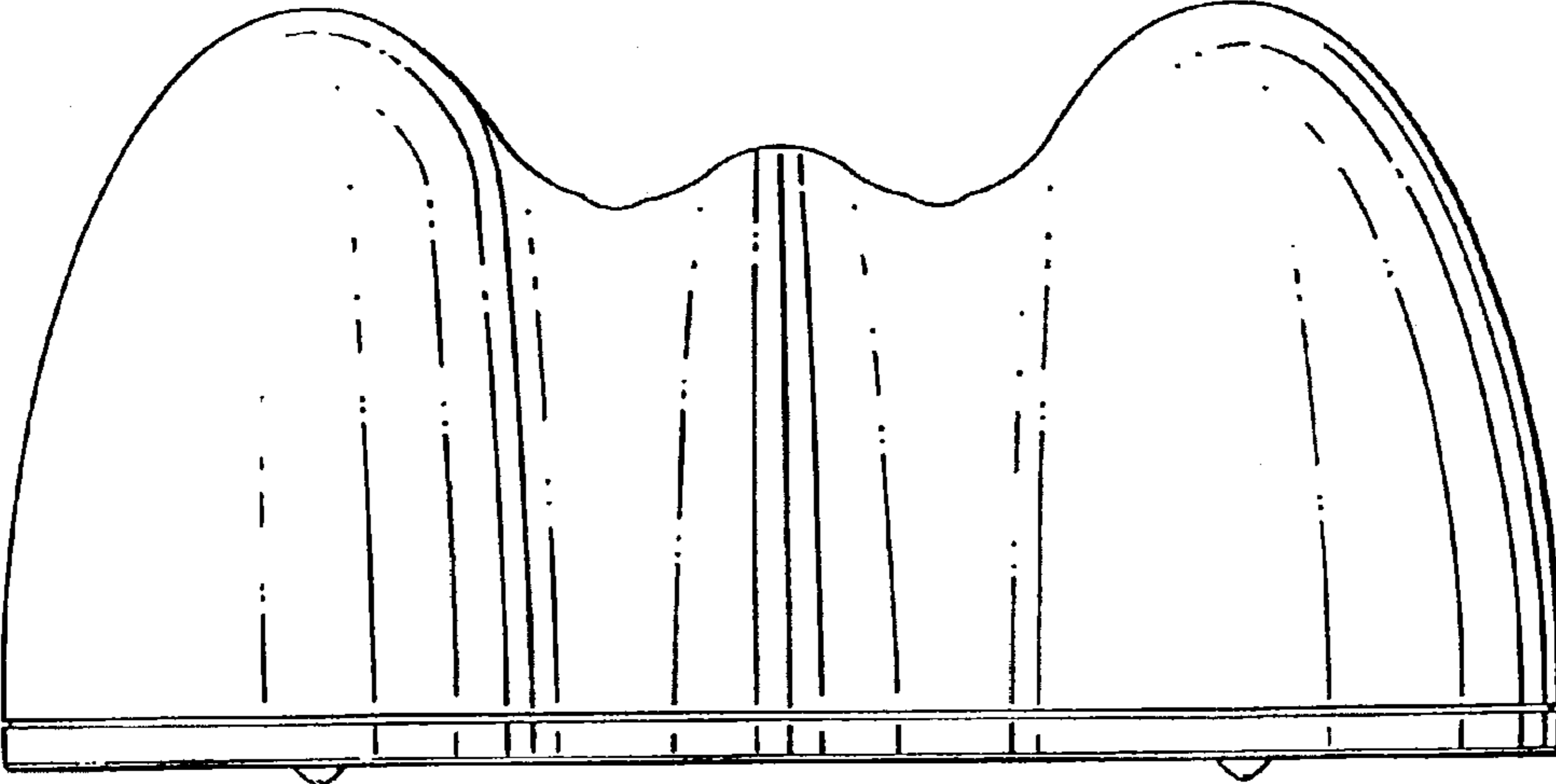


FIG. 4

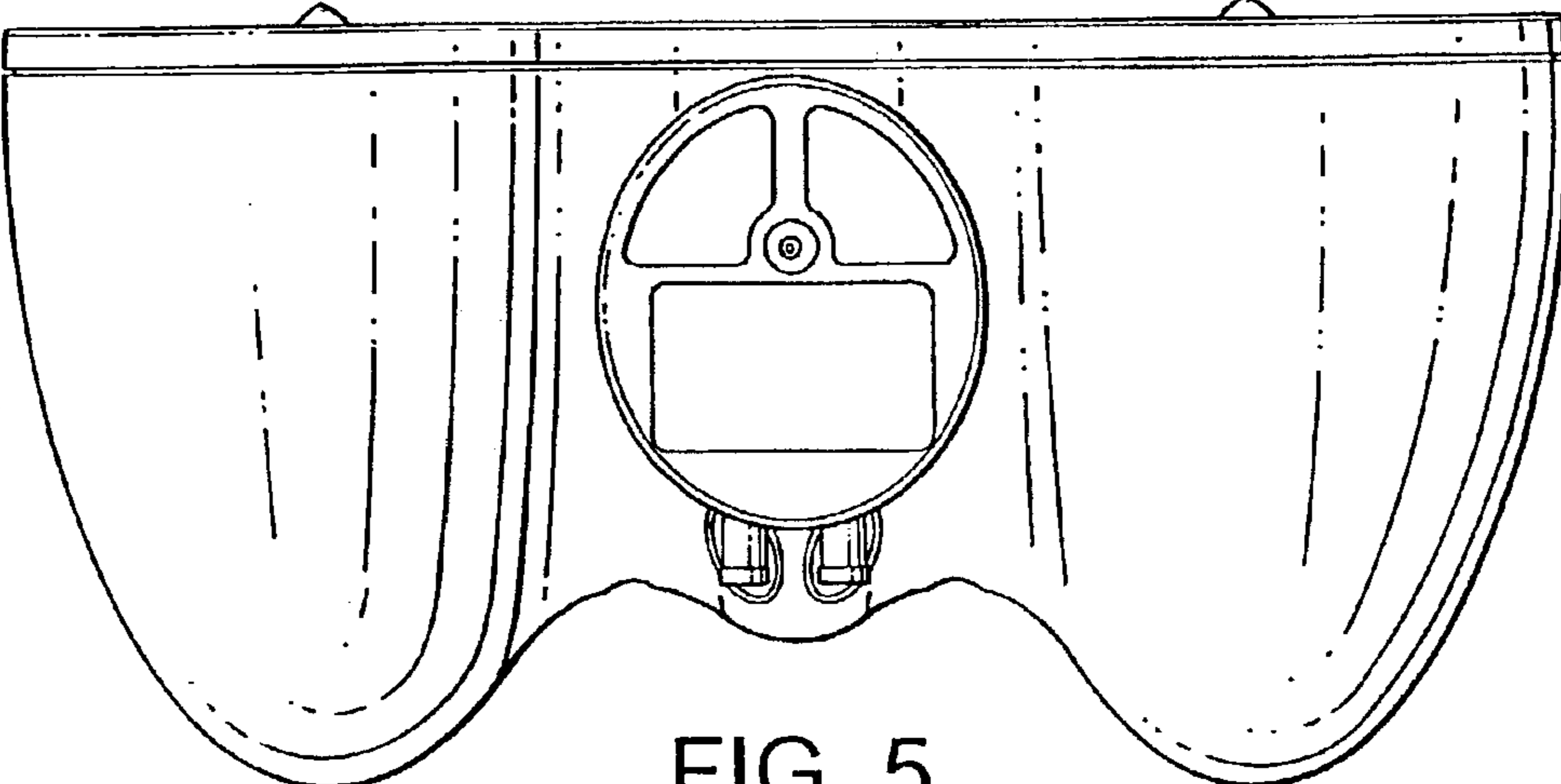


FIG. 5