



US00D513741S

(12) **United States Design Patent**
Jensfelt

(10) **Patent No.:** **US D513,741 S**
(45) **Date of Patent:** **** Jan. 24, 2006**

(54) **MOBILE PHONE**

(75) **Inventor:** **Henrik Jensfelt, Malmö (SE)**

(73) **Assignee:** **Sony Ericsson Mobile Communications AB, Lund (SE)**

(**) **Term:** **14 Years**

(21) **Appl. No.:** **29/210,736**

(22) **Filed:** **Aug. 6, 2004**

(30) **Foreign Application Priority Data**

Feb. 11, 2004 (EM) 132584

(51) **LOC (8) Cl.** **14-03**

(52) **U.S. Cl.** **D14/138**

(58) **Field of Classification Search** D14/137,
D14/138, 147-148, 247-248, 144, 341-347;
379/433.01-433.13, 434; 455/575.1, 566,
455/556.1; D21/517

See application file for complete search history.

(56) **References Cited**

U.S. PATENT DOCUMENTS

D459,327 S	*	6/2002	Ali	D14/138
D468,714 S	*	1/2003	Maruska et al.	D14/138
D469,748 S	*	2/2003	Ribeiro et al.	D14/138
D478,882 S	*	8/2003	Peng et al.	D14/138
D478,883 S	*	8/2003	Jensfelt et al.	D14/138
D479,514 S	*	9/2003	Chan	D14/138
D480,057 S	*	9/2003	Ho-Cheun et al.	D14/138
D485,819 S	*	1/2004	Ahlgren	D14/138
D488,789 S	*	4/2004	Lee	D14/138
D492,276 S	*	6/2004	Walliser et al.	D14/138
D492,657 S	*	7/2004	Jensfelt	D14/138
D492,660 S	*	7/2004	Kim et al.	D14/138
D494,561 S	*	8/2004	Kagami et al.	D14/138

D494,949 S	*	8/2004	Arnholt et al.	D14/138
D494,950 S	*	8/2004	Keunecke	D14/138
D496,921 S	*	10/2004	Hwang	D14/138
D497,892 S	*	11/2004	Peng	D14/138
D500,992 S	*	1/2005	Shen et al.	D14/138
D502,157 S	*	2/2005	Kim et al.	D14/138
D502,159 S	*	2/2005	Chan et al.	D14/138
D502,160 S	*	2/2005	Chen et al.	D14/138
D502,456 S	*	3/2005	Huang	D14/138
D502,933 S	*	3/2005	Munstermann	D14/138
D503,163 S	*	3/2005	Chan et al.	D14/138
D505,932 S	*	6/2005	Eckholm et al.	D14/138
D505,934 S	*	6/2005	Gonser	D14/138
2003/0054830 A1	*	3/2003	Williams et al.	455/456
2004/0204060 A1	*	10/2004	Makinouchi et al.	455/556.1
2005/0014537 A1	*	1/2005	Gammon et al.	455/575.1
2005/0119031 A1	*	6/2005	Spalink et al.	455/566

FOREIGN PATENT DOCUMENTS

WO DM/055620 * 4/2001

* cited by examiner

Primary Examiner—Jeffrey Asch

(74) *Attorney, Agent, or Firm*—Albihns Stockholm AB

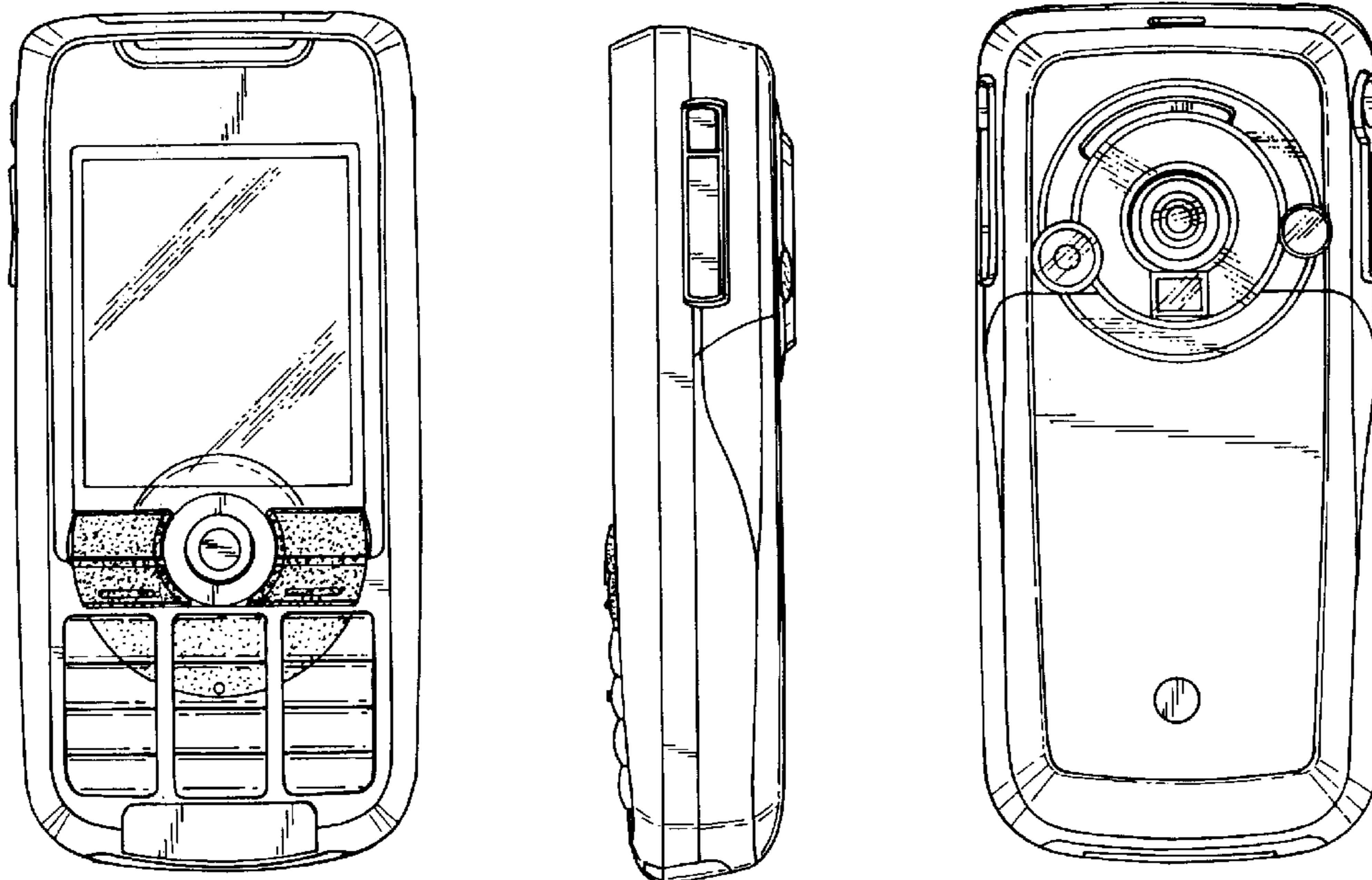
(57) **CLAIM**

The ornamental design for a mobile phone, as shown.

DESCRIPTION

FIG. 1 is a front right perspective view of a mobile phone according to my new design;
FIG. 2 is a front view thereof;
FIG. 3 is a right side view thereof;
FIG. 4 is a left side view thereof;
FIG. 5 is a rear view thereof;
FIG. 6 is a bottom plan view thereof; and,
FIG. 7 is a top plan view thereof.

1 Claim, 2 Drawing Sheets



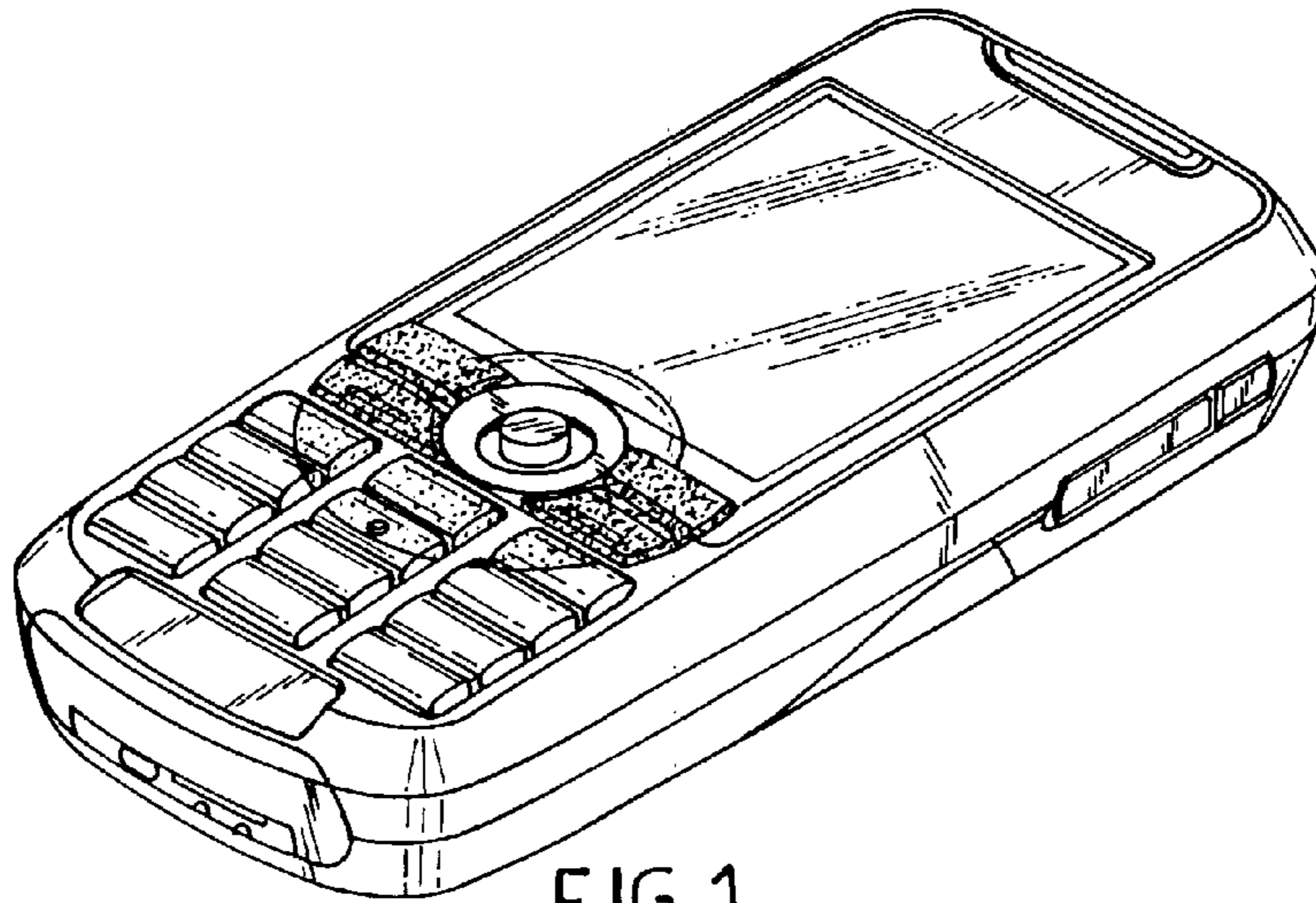


FIG. 1

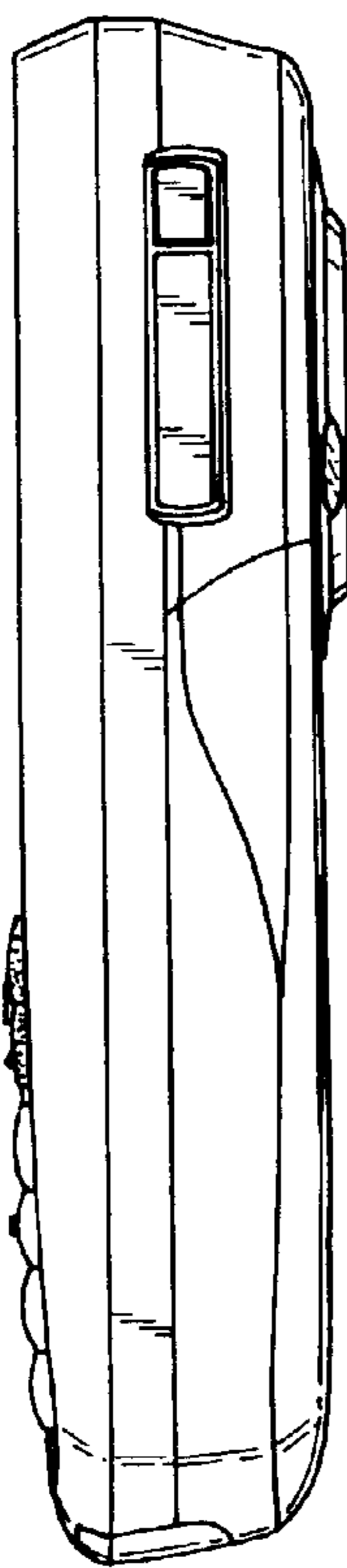


FIG. 3

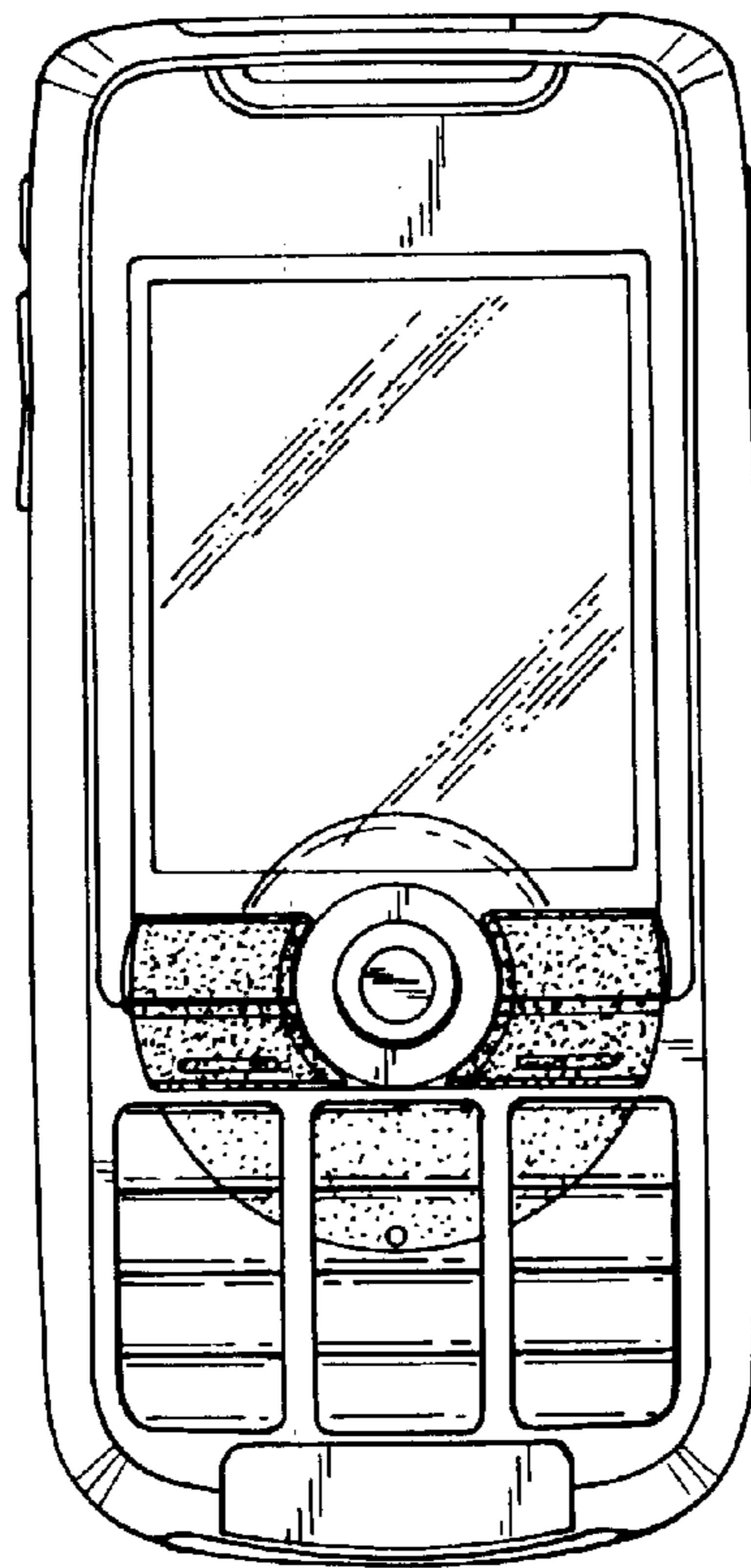


FIG. 2

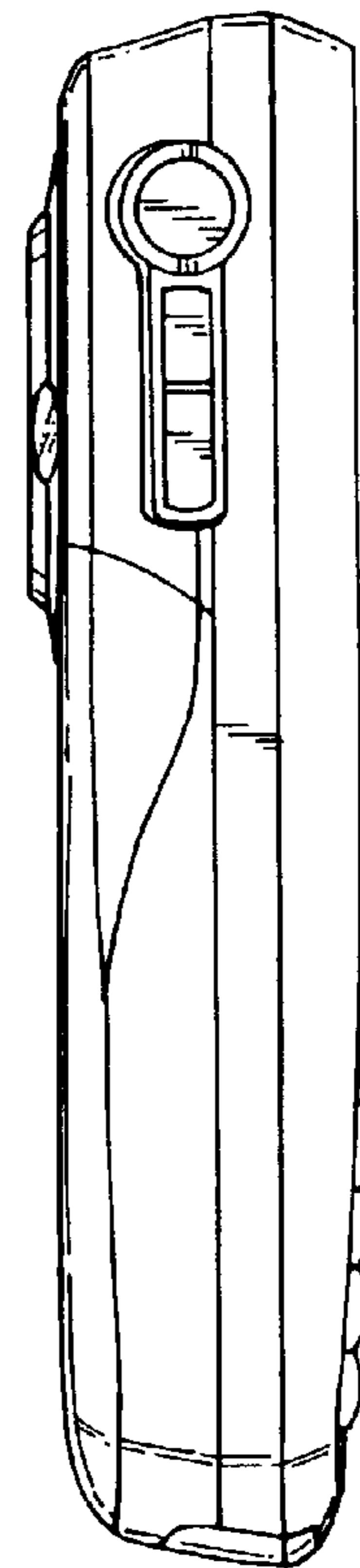


FIG. 4

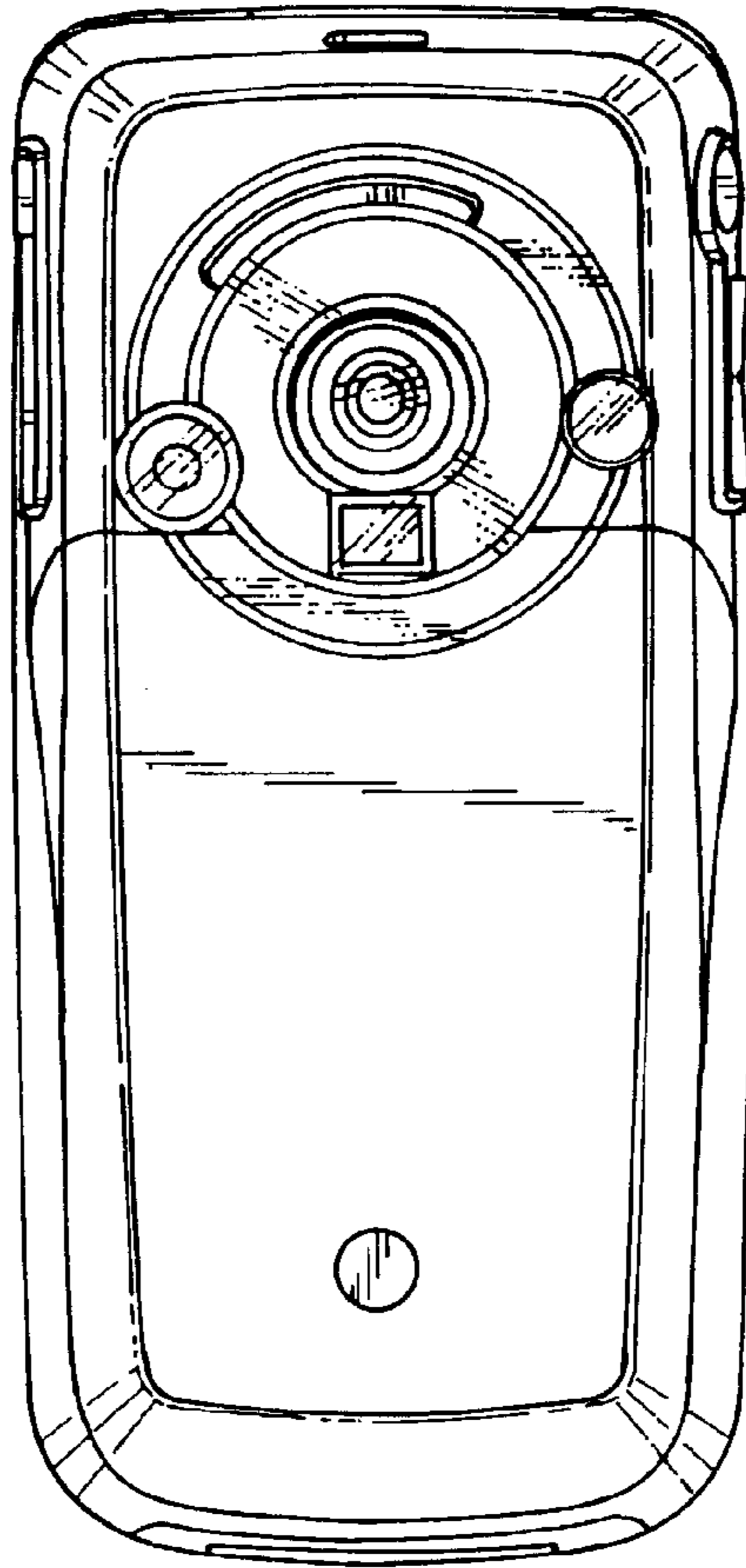


FIG. 5

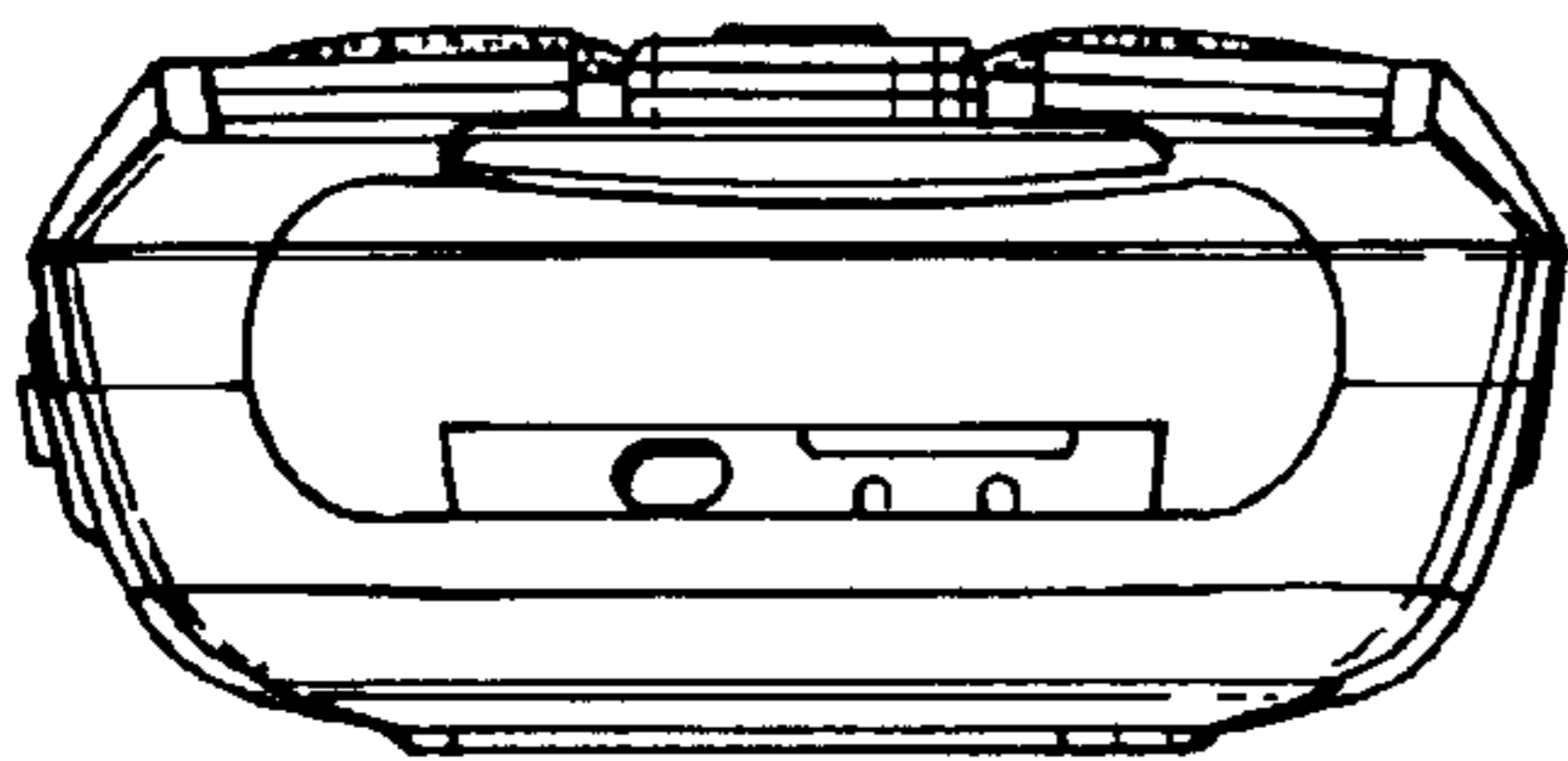


FIG. 6

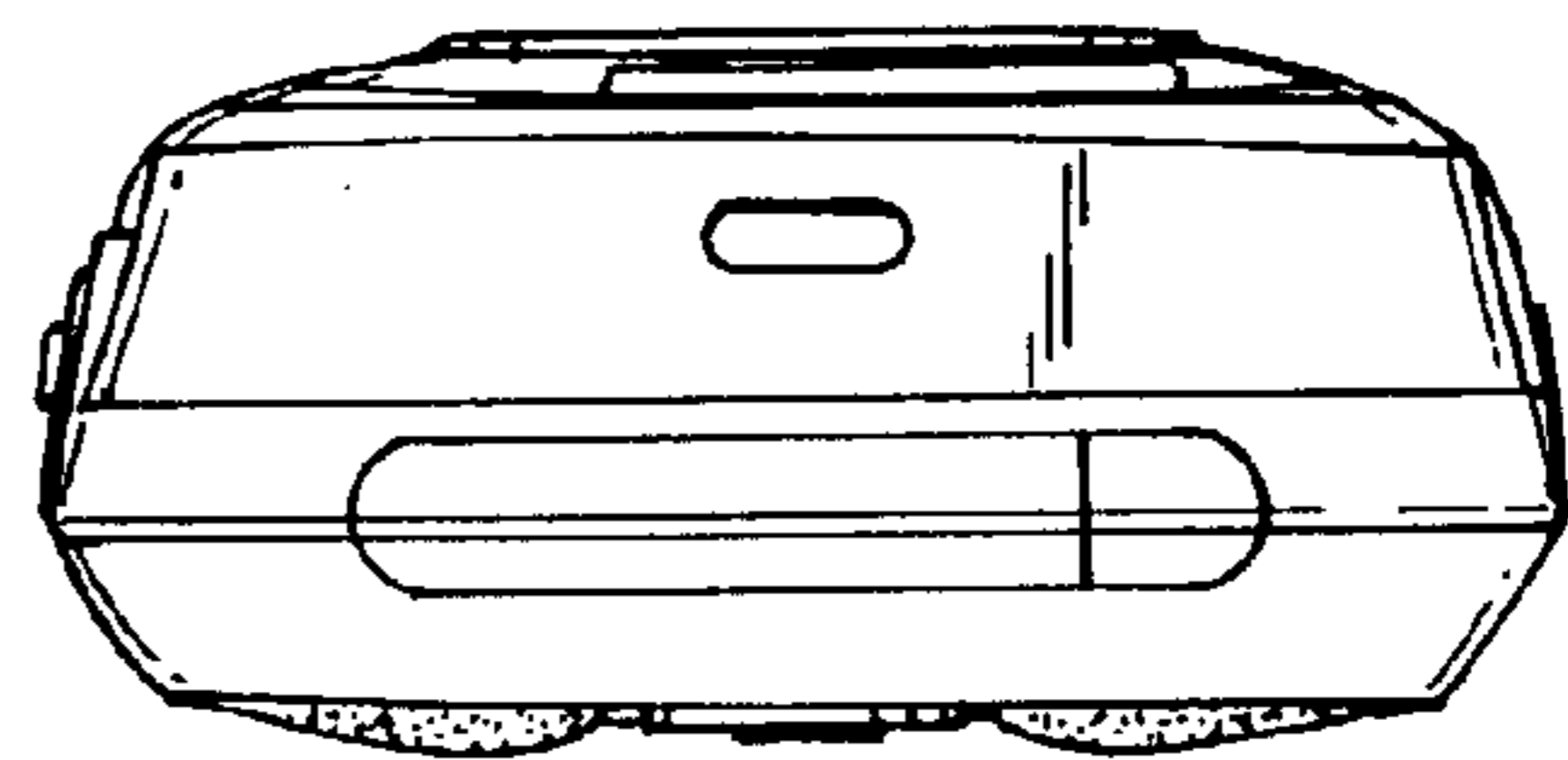


FIG. 7