



US00D513736S

(12) **United States Design Patent**
Fox

(10) **Patent No.:** **US D513,736 S**
(45) **Date of Patent:** **** Jan. 24, 2006**

(54) **COAX CABLE CONNECTOR**
(75) **Inventor:** **Michael Thomas Fox**, Jamesville, NY (US)
(73) **Assignee:** **John Mezzalingua Associates, Inc.**, East Syracuse, NY (US)
(**) **Term:** **14 Years**

3,985,418 A 10/1976 Spinner
4,046,451 A 9/1977 Juds et al.
4,053,200 A 10/1977 Pagner
4,059,330 A * 11/1977 Shirey 439/578
4,076,367 A * 2/1978 Avins 439/583
4,126,372 A 11/1978 Hashimoto et al.
4,168,921 A 9/1979 Blanchard
4,227,765 A 10/1980 Neumann et al.
4,280,749 A 7/1981 Hemmer
4,339,166 A 7/1982 Dayton

(21) **Appl. No.:** **29/201,557**

(Continued)

(22) **Filed:** **Mar. 17, 2004**

FOREIGN PATENT DOCUMENTS

(51) **LOC (8) Cl.** **13-03**
(52) **U.S. Cl.** **D13/151**
(58) **Field of Classification Search** D13/133,
D13/149, 151, 154, 184, 199; 439/13, 20,
439/22, 135, 246, 306, 480, 476.1, 578, 583-585,
439/805

DE 1 191 880 4/1954
DE 32 11 008 10/1983
GB 1087 228 10/1967
GB 1270846 4/1972
GB 2079 549 1/1982

See application file for complete search history.

Primary Examiner—Stella Reid
Assistant Examiner—Daniel Bui
(74) *Attorney, Agent, or Firm*—Wall Marjama & Bilinski
LLP

(56) **References Cited**

(57) **CLAIM**

U.S. PATENT DOCUMENTS

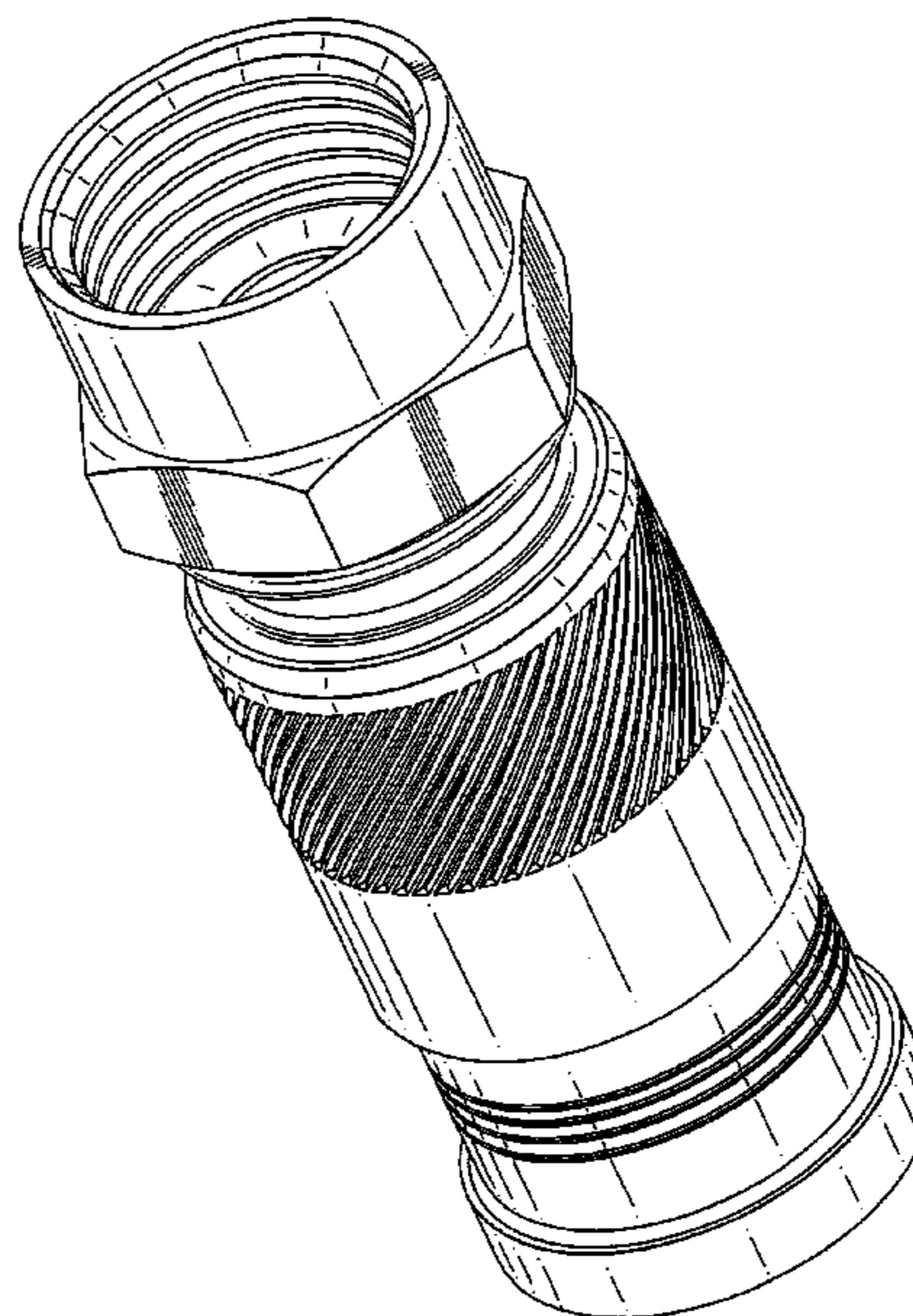
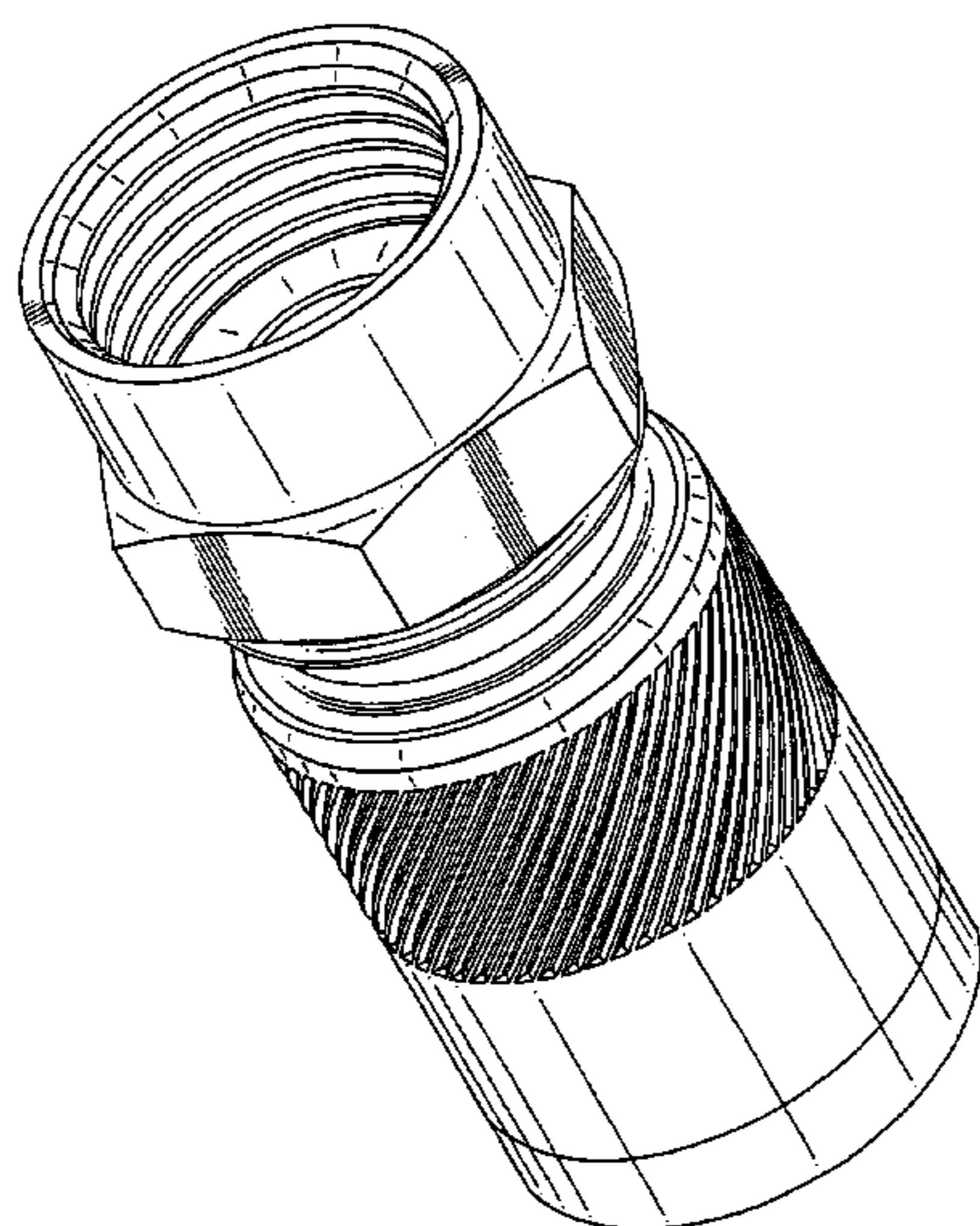
2,258,737 A 10/1941 Browne
3,104,145 A * 9/1963 Somerset 439/584
3,184,706 A 5/1965 Atkins
3,275,913 A 9/1966 Blanchard et al.
3,320,575 A * 5/1967 Brown et al. 439/584
3,355,698 A 11/1967 Keller
3,406,373 A 10/1968 Forney, Jr.
3,498,647 A 3/1970 Schroder
3,499,101 A * 3/1970 Hogendobler et al. 174/75 C
3,587,033 A * 6/1971 Brorein et al. 439/322
3,629,792 A 12/1971 Dorrell
3,671,922 A 6/1972 Zerlin et al.
3,710,005 A 1/1973 French
3,845,453 A 10/1974 Hemmer
D233,991 S * 12/1974 Smith et al. D13/151
3,915,539 A 10/1975 Collins
3,936,132 A 2/1976 Hutter

The ornamental design for a coax cable connector, as shown and described.

DESCRIPTION

FIG. 1 is a top plan view of my new design of a coaxial cable connector;
FIG. 2 is a bottom plan view thereof;
FIG. 3 is a top perspective view thereof, in a closed position;
FIG. 4 is a bottom perspective view thereof, in an open position;
FIG. 5 is a top perspective view thereof; and,
FIG. 6 is a front elevation view thereof, with the rear elevation view being a mirror image thereto.

1 Claim, 5 Drawing Sheets



U.S. PATENT DOCUMENTS

4,346,958 A	8/1982	Blanchard	5,131,862 A	7/1992	Gershfeld
4,373,767 A	2/1983	Cairns	5,141,451 A	8/1992	Down
4,400,050 A	8/1983	Hayward	5,181,161 A	1/1993	Hirose et al.
4,408,822 A	10/1983	Nikitas	D333,511 S *	2/1993	Mikiya et al. D23/262
4,444,453 A	4/1984	Kirby et al.	5,195,906 A	3/1993	Szegda
4,484,792 A	11/1984	Tengler et al.	5,205,761 A	4/1993	Nilsson
4,533,191 A	8/1985	Blackwood	5,207,602 A	5/1993	McMills et al.
4,545,637 A	10/1985	Bosshard et al.	5,217,391 A	6/1993	Fisher, Jr.
4,553,806 A	11/1985	Forney, Jr. et al.	5,217,393 A	6/1993	Del Negro et al.
4,575,274 A	3/1986	Hayward	5,269,701 A	12/1993	Leibfried, Jr.
4,583,811 A	4/1986	McMills	5,283,853 A	2/1994	Szegda
4,593,964 A	6/1986	Forney, Jr. et al.	5,295,864 A	3/1994	Birch et al.
4,596,435 A	6/1986	Bickford	5,310,359 A *	5/1994	Chadbourne et al. 439/462
4,600,263 A	7/1986	DeChamp et al.	5,316,494 A	5/1994	Flanagan et al.
4,614,390 A	9/1986	Baker	5,342,218 A	8/1994	McMills et al.
4,645,281 A	2/1987	Burger	5,371,819 A	12/1994	Szegda
4,650,228 A	3/1987	McMills et al.	5,371,821 A	12/1994	Szegda
4,655,159 A	4/1987	McMills	5,371,827 A	12/1994	Szegda
4,660,921 A	4/1987	Hauver	D355,641 S *	2/1995	Down D13/151
4,668,043 A	5/1987	Saba et al.	5,393,244 A	2/1995	Szegda
4,674,818 A	6/1987	McMills et al.	5,431,583 A	7/1995	Szegda
4,676,577 A	6/1987	Szegda	5,444,810 A	8/1995	Szegda
4,691,976 A	9/1987	Cowen	5,455,548 A	10/1995	Grandchamp et al.
4,738,009 A	4/1988	Down et al.	5,456,611 A	10/1995	Henry et al.
4,746,305 A	5/1988	Nomura	5,456,614 A	10/1995	Szegda
4,747,786 A	5/1988	Hayashi et al.	5,466,173 A	11/1995	Down
4,755,152 A	7/1988	Elliot et al.	5,470,257 A	11/1995	Szegda
4,806,116 A	2/1989	Ackerman	5,494,454 A	2/1996	Johnsen
4,813,886 A	3/1989	Roos et al.	5,501,616 A	3/1996	Holliday
4,813,887 A	3/1989	Capp	5,525,076 A	6/1996	Down
4,834,675 A	5/1989	Samchisen	D371,342 S *	7/1996	Lundback D13/151
4,854,893 A	8/1989	Morris	5,542,861 A	8/1996	Anhalt et al.
4,857,014 A	8/1989	Alf et al.	5,548,088 A	8/1996	Gray et al.
4,869,679 A	9/1989	Szegda	5,598,132 A	1/1997	Stabile
4,892,275 A	1/1990	Szegda	5,651,699 A	7/1997	Holliday
4,902,246 A	2/1990	Samchisen	5,667,405 A	9/1997	Holliday
4,906,207 A	3/1990	Banning et al.	5,975,951 A	11/1999	Burris et al.
4,923,412 A	5/1990	Morris	5,997,350 A	12/1999	Burris et al.
4,925,403 A	5/1990	Zorzy	6,032,358 A	3/2000	Wild
4,929,188 A	5/1990	Lionetto et al.	6,102,737 A	8/2000	Gohdes
4,990,104 A	2/1991	Schieferly	6,153,830 A	11/2000	Montena
4,990,105 A	2/1991	Karlovich	D437,826 S	2/2001	Montena
4,990,106 A	2/1991	Szegda	D440,939 S *	4/2001	Montena D13/133
5,002,503 A	3/1991	Campbell et al.	D462,327 S	9/2002	Montena
5,021,010 A	6/1991	Wright	6,491,546 B1	12/2002	Perry
5,024,606 A	6/1991	Ming-Hwa	D468,696 S	1/2003	Montena
5,037,328 A	8/1991	Karlovich	D475,976 S	6/2003	Montena
5,062,804 A	11/1991	Jamet et al.	D475,977 S	6/2003	Montena
5,066,248 A	11/1991	Gaver, Jr. et al.	6,644,993 B2	11/2003	Victor
5,073,129 A	12/1991	Szegda	6,672,903 B1	1/2004	Chen
5,083,943 A	1/1992	Tarrant	D503,685 S *	4/2005	Montena D13/154
5,127,853 A	7/1992	McMills et al.	2002/0013088 A1	1/2002	Rodrigues et al.

* cited by examiner

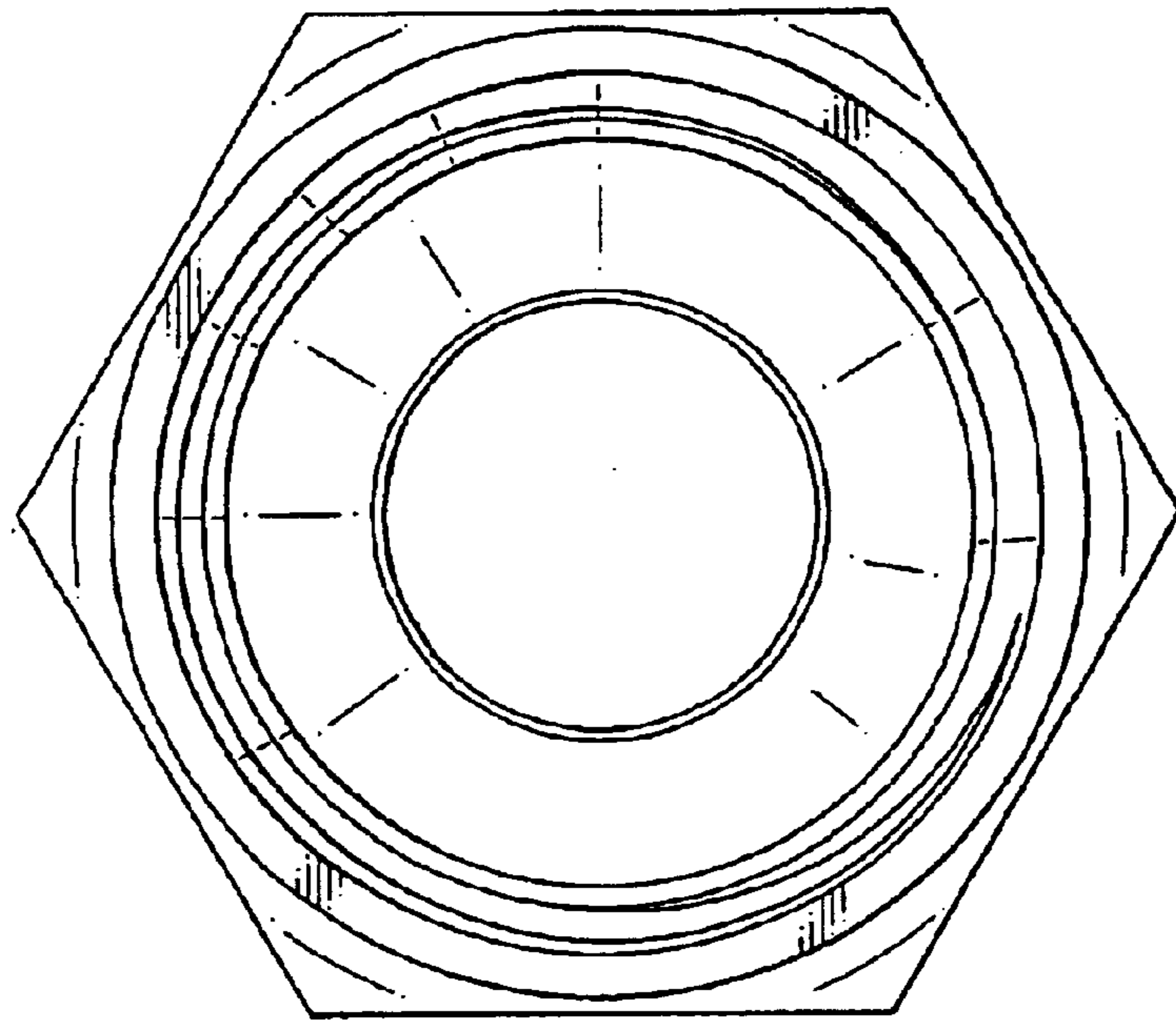


FIG. 1

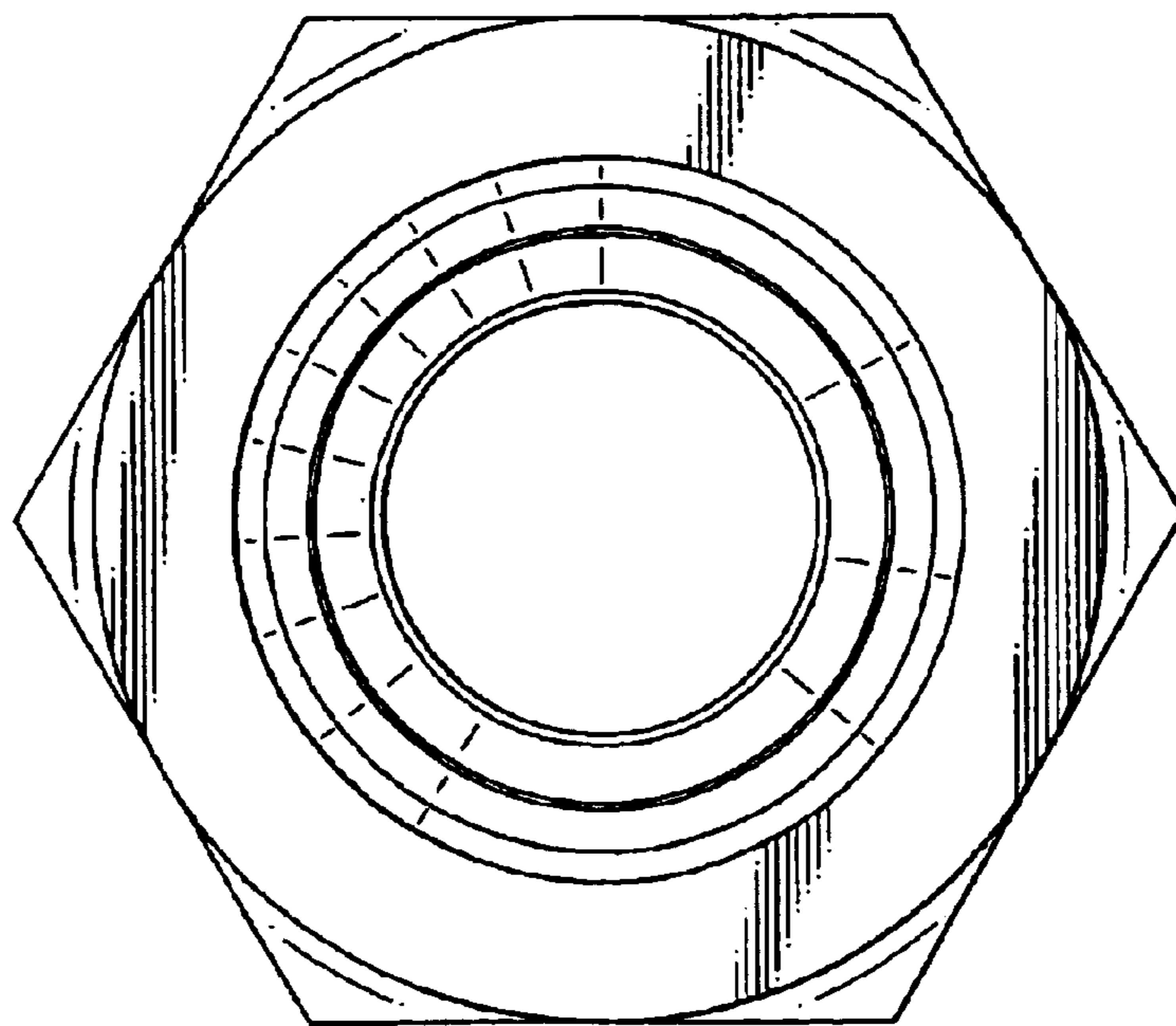


FIG. 2

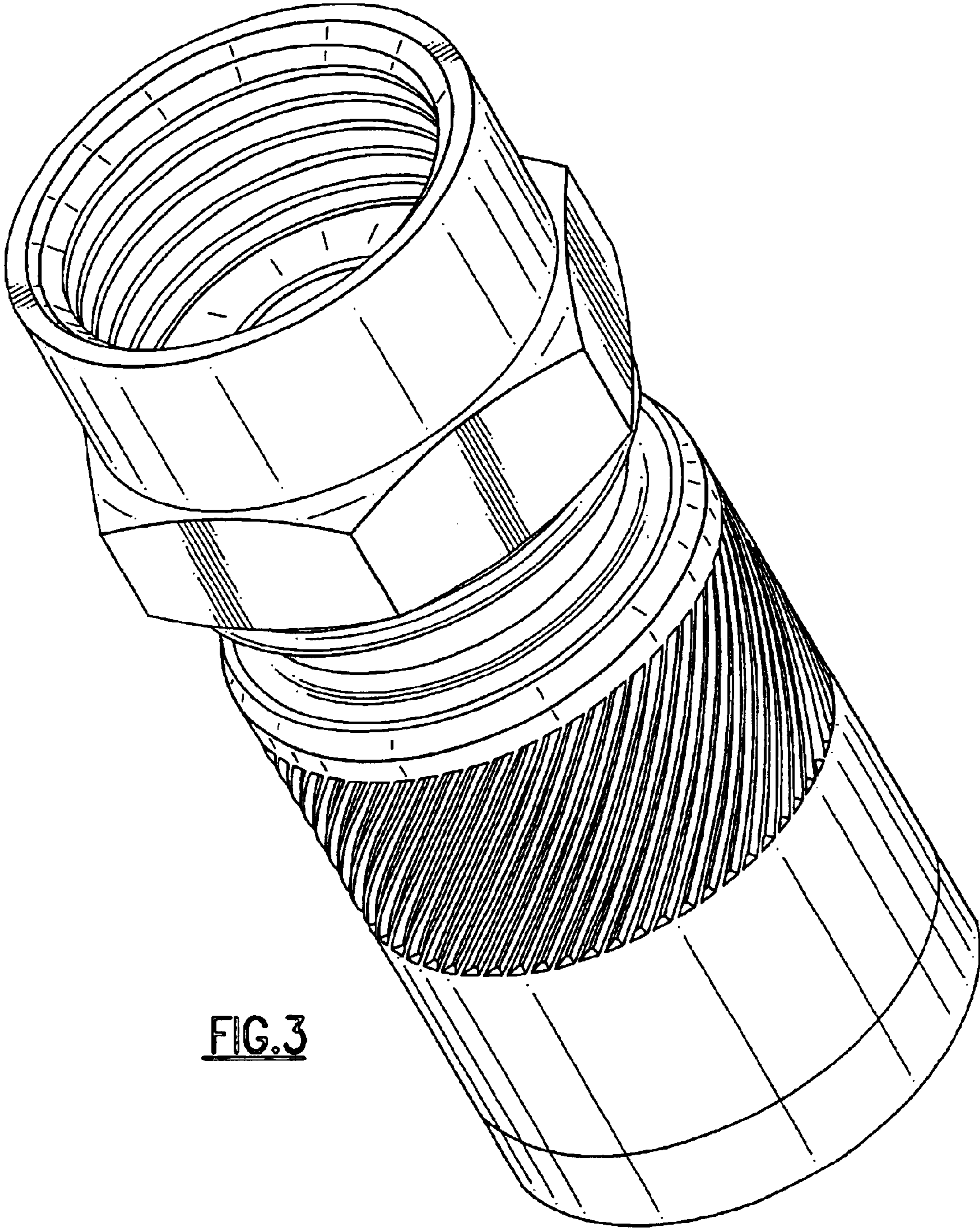


FIG.3

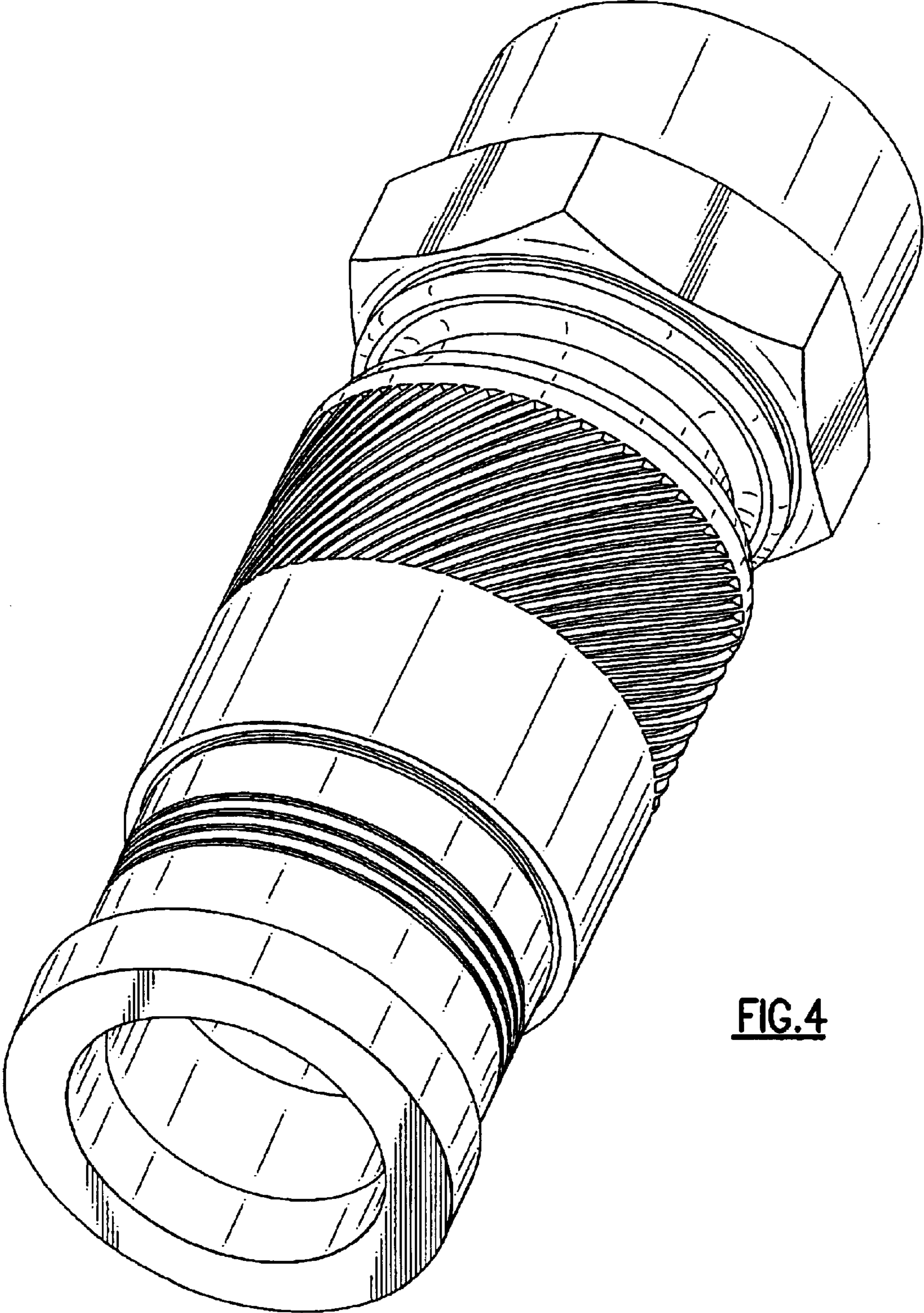


FIG.4

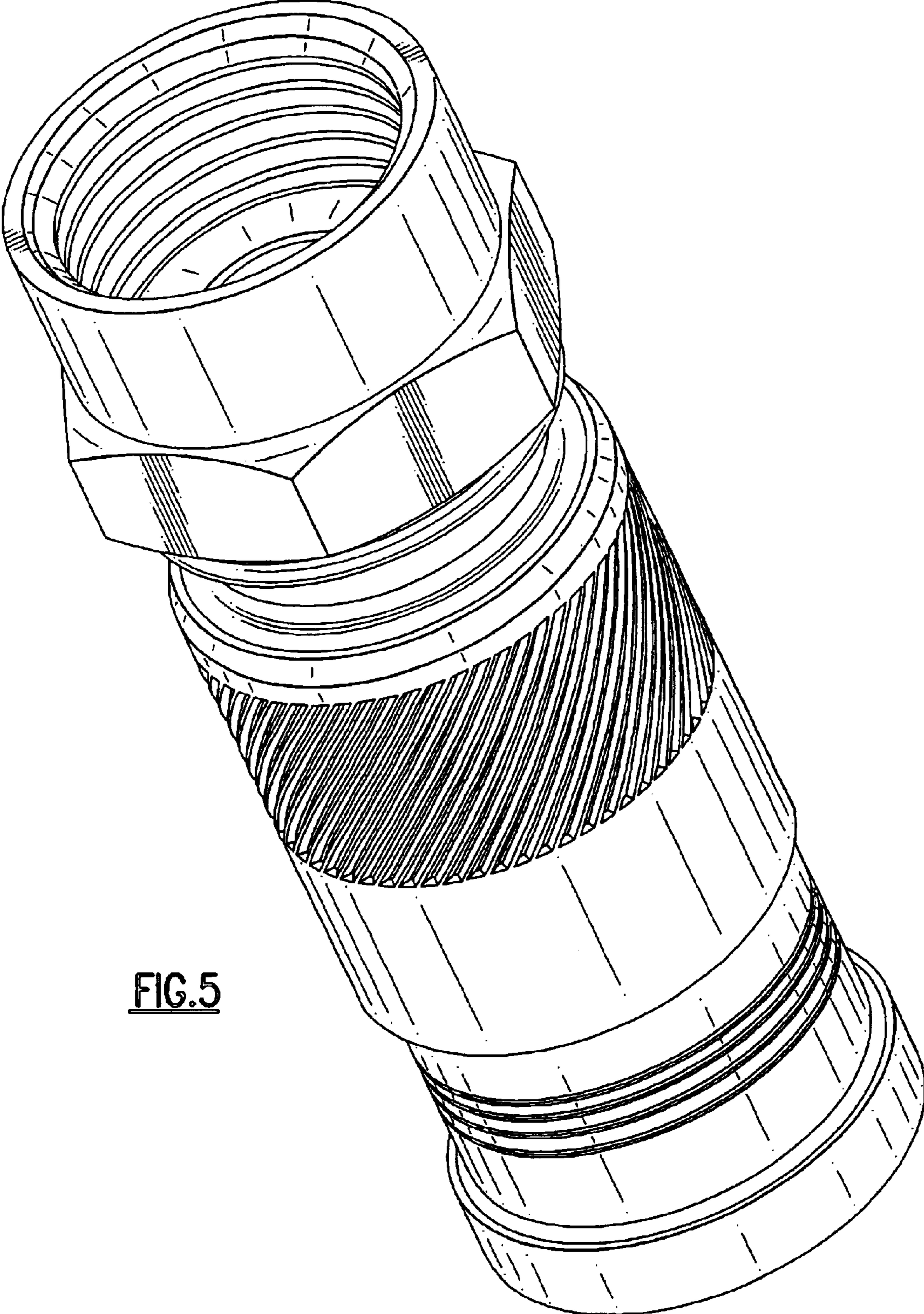


FIG.5

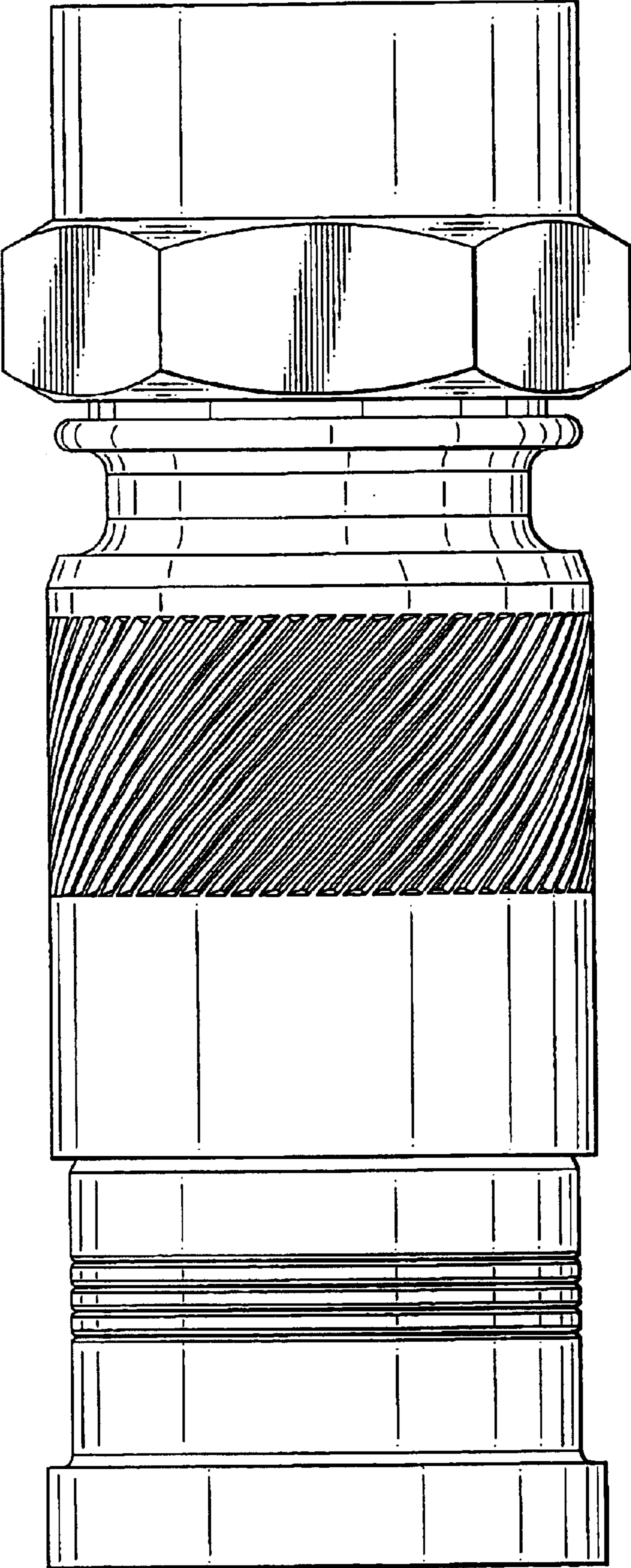


FIG. 6