

US00D513735S

(12) **United States Design Patent**
Nishio et al.

(10) **Patent No.:** **US D513,735 S**
(45) **Date of Patent:** **** Jan. 24, 2006**

(54) **CONNECTOR**

(75) Inventors: **Atsushi Nishio**, Tama (JP); **Yoshinori Ohta**, Tama (JP); **Masaki Sawafuji**, Tama (JP)

(73) Assignee: **Mitsumi Electric Co., Ltd.**, Tokyo (JP)

(**) Term: **14 Years**

(21) Appl. No.: **29/223,245**

(22) Filed: **Feb. 14, 2005**

(30) **Foreign Application Priority Data**

Nov. 16, 2004 (JP) 2004-034923

(51) **LOC (8) Cl.** **13-03**

(52) **U.S. Cl.** **D13/147; D13/153**

(58) **Field of Classification Search** D13/133,
D13/146, 147, 153-154, 184, 199; 439/352,
439/359, 362, 607-610, 680, 686
See application file for complete search history.

(56) **References Cited**

U.S. PATENT DOCUMENTS

- D356,997 S * 4/1995 Lehmann D13/146
- D363,700 S * 10/1995 Buongervino et al. D13/147
- D409,150 S * 5/1999 Davis et al. D13/153
- D416,233 S * 11/1999 Tsai D13/153
- D416,542 S * 11/1999 Tsai D13/153

- D416,868 S * 11/1999 Tsai D13/153
- 6,036,544 A * 3/2000 Brunker et al. 439/607
- D442,553 S * 5/2001 Urban et al. D13/153
- D449,579 S * 10/2001 Goto D13/133
- D451,473 S * 12/2001 Goto D13/147
- D454,841 S * 3/2002 Nakashima et al. D13/146
- D456,509 S * 4/2002 Schultz D24/133
- D491,894 S * 6/2004 Jiang D13/147

* cited by examiner

Primary Examiner—Stella Reid

Assistant Examiner—Daniel Bui

(74) *Attorney, Agent, or Firm*—Sughrue Mion, PLLC

(57) **CLAIM**

The ornamental design for a connector, as shown and described.

DESCRIPTION

FIG. 1 is a perspective view of the top, front, and left side of a connector showing our new design;
 FIG. 2 is a front elevational view thereof;
 FIG. 3 is a rear elevational view thereof;
 FIG. 4 is a left side elevational view thereof;
 FIG. 5 is a right side elevational view thereof;
 FIG. 6 is a top plan view thereof; and,
 FIG. 7 is a bottom plan view thereof.
 For ease of illustration, the precise length of the connector is not claimed.

1 Claim, 3 Drawing Sheets

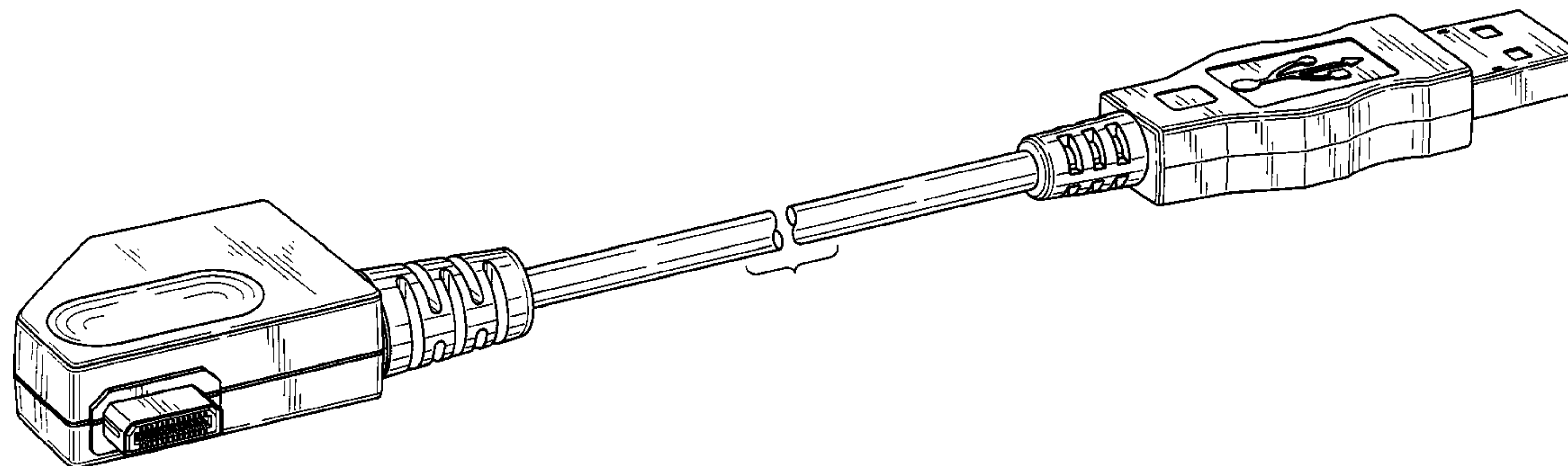


FIG. 1

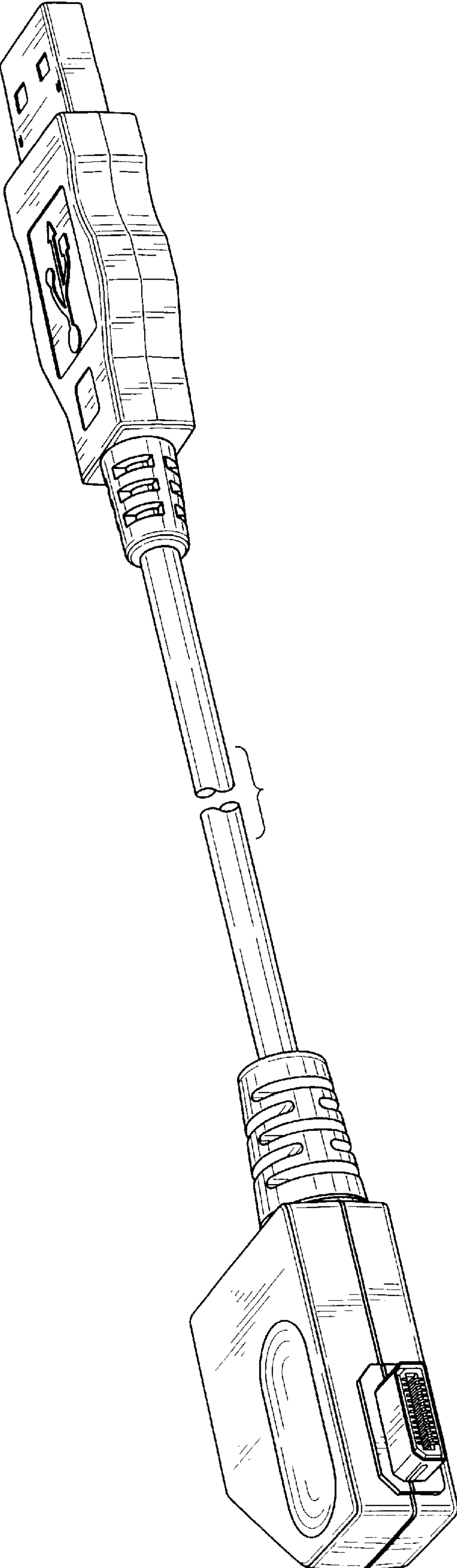


FIG. 2

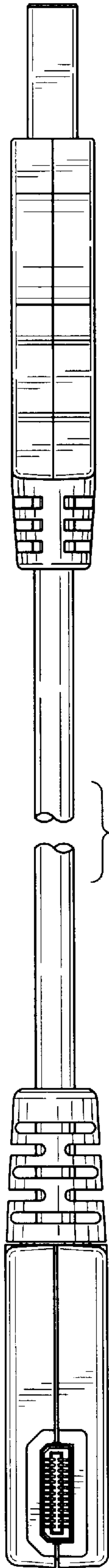


FIG. 3

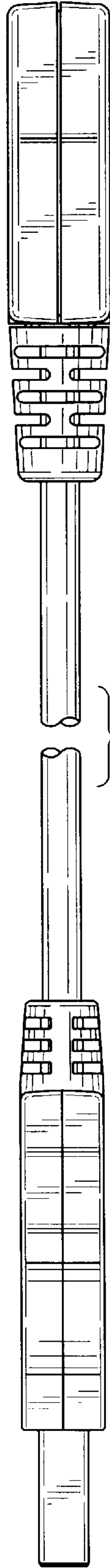


FIG. 4

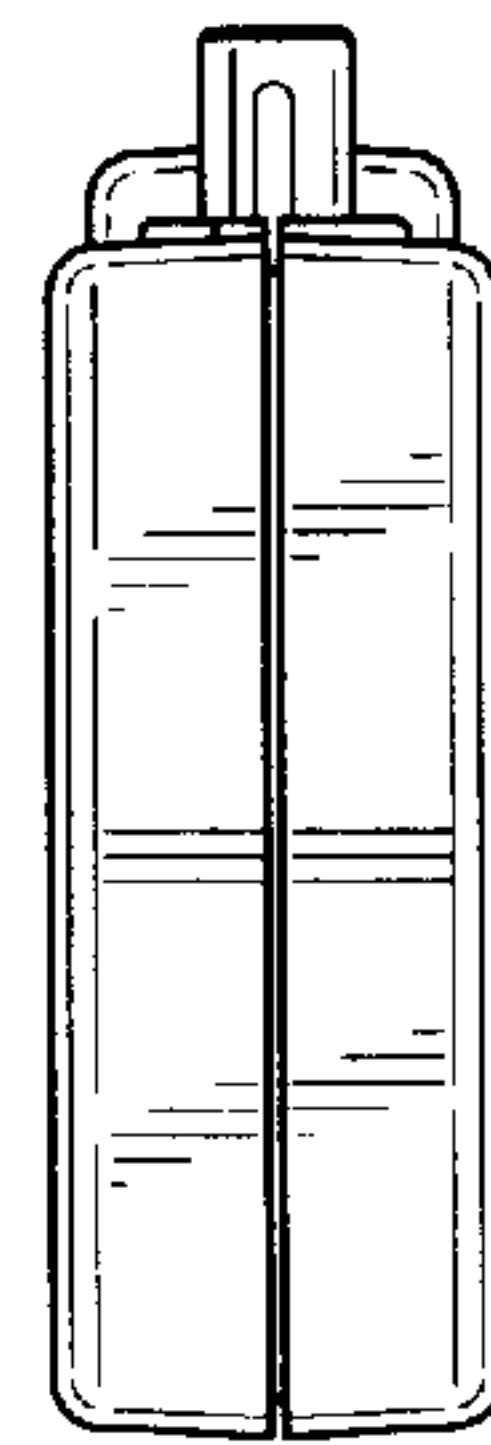


FIG. 5

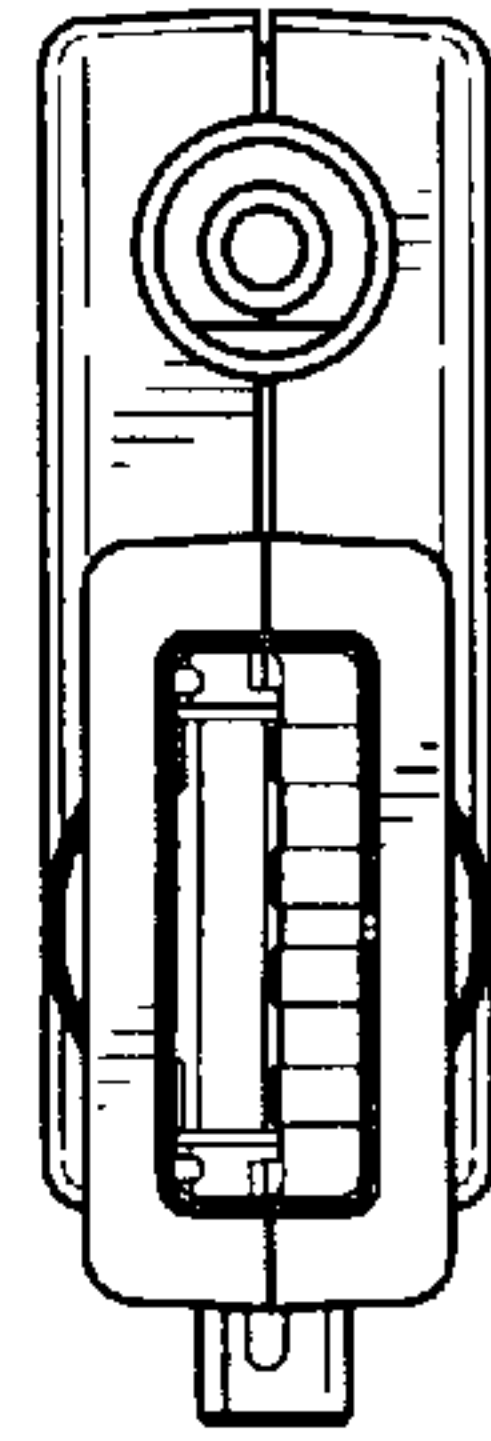


FIG. 6

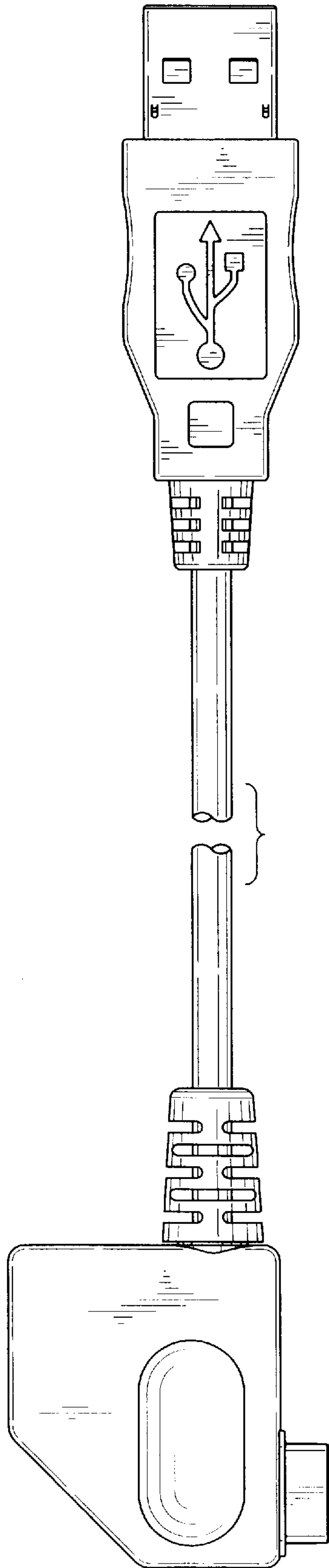


FIG. 7

