



US00D513734S

(12) **United States Design Patent**
Aromin

(10) **Patent No.:** **US D513,734 S**

(45) **Date of Patent:** **** Jan. 24, 2006**

(54) **ELECTRICAL OUTLET HAVING A GROUND FAULT CIRCUIT INTERRUPTER**

(75) **Inventor:** **Victor V. Aromin**, West Warwick, RI (US)

(73) **Assignee:** **Tower Manufacturing Corporation**, Providence, RI (US)

(**) **Term:** **14 Years**

(21) **Appl. No.:** **29/191,504**

(22) **Filed:** **Oct. 8, 2003**

(51) **LOC (8) Cl.** **13-03**

(52) **U.S. Cl.** **D13/139.8**

(58) **Field of Classification Search** .. D13/137.1-137.4, D13/139.1-139.8, 124, 160, 162, 164, 178; 361/118-119; 439/106-108, 188, 535, 650-654
See application file for complete search history.

(56) **References Cited**

U.S. PATENT DOCUMENTS

| | | | | | |
|------------|---|---------|---------------|-------|-----------|
| D320,568 S | * | 10/1991 | Black | | D10/40 |
| D356,294 S | * | 3/1995 | Fladung | | D13/139.8 |
| D365,803 S | * | 1/1996 | Boesel et al. | | D13/139.8 |
| D399,488 S | * | 10/1998 | Williams | | D13/139.7 |
| D429,702 S | * | 8/2000 | Maruta et al. | | D13/162 |
| D472,522 S | * | 4/2003 | MacKay | | D13/139.6 |
| D499,074 S | * | 11/2004 | Cook et al. | | D13/160 |

* cited by examiner

Primary Examiner—Alan P. Douglas
Assistant Examiner—Rosemary Tarcza
(74) *Attorney, Agent, or Firm*—Kriegsman & Kriegsman

(57) **CLAIM**

The ornamental design for an electrical outlet having a ground fault circuit interrupter, as shown and described.

DESCRIPTION

FIG. 1 is a front perspective view of an electrical outlet having a ground fault circuit interrupter showing my new design, with the cover for the electrical outlet being in a closed position;

FIG. 2 is a top view of the electrical outlet having a ground fault circuit interrupter shown in FIG. 1;

FIG. 3 is a bottom view of the electrical outlet having a ground fault circuit interrupter shown in FIG. 1;

FIG. 4 is a front view of the electrical outlet having a ground fault circuit interrupter shown in FIG. 1;

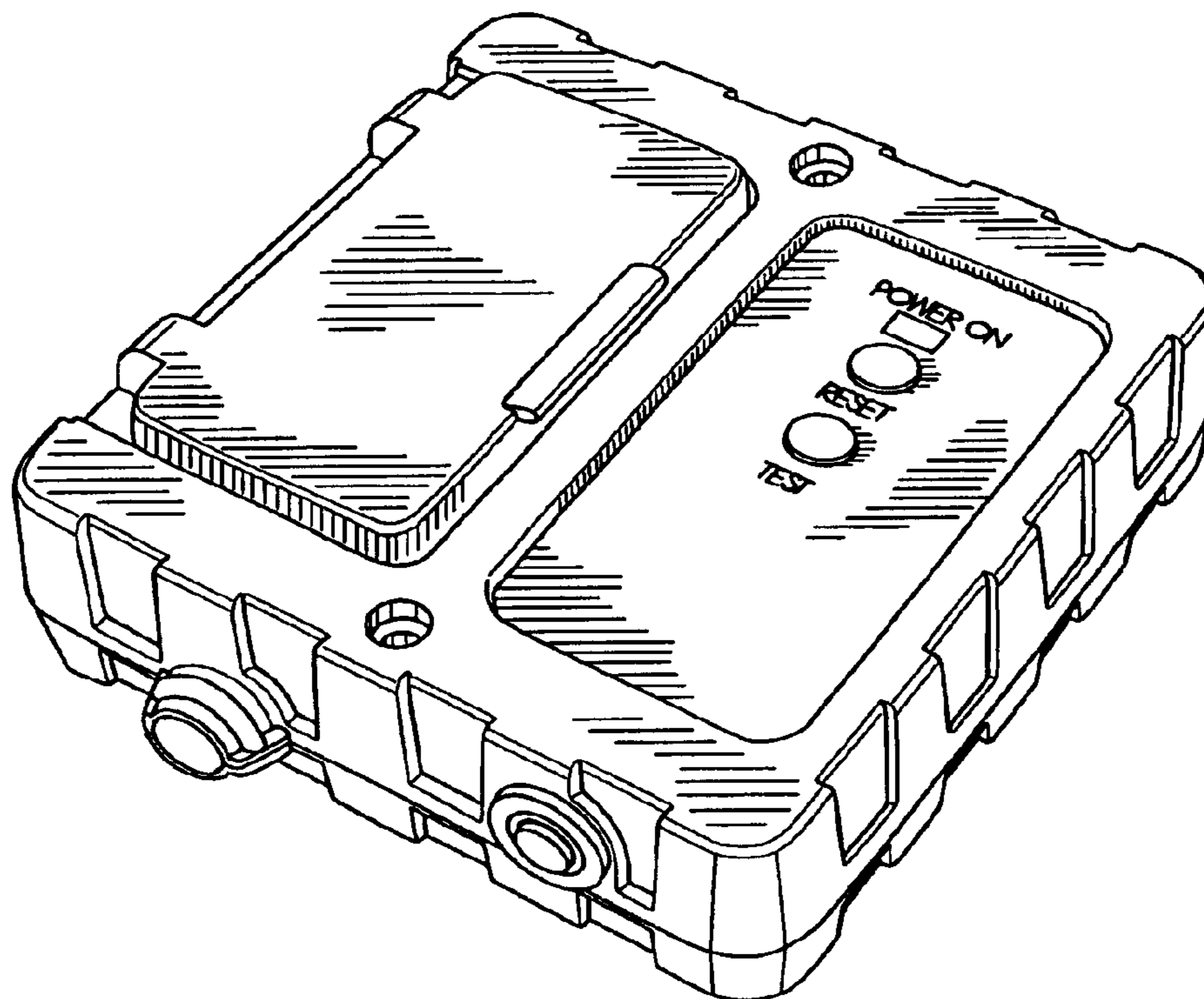
FIG. 5 is a right side view of the electrical outlet having a ground fault circuit interrupter shown in FIG. 1;

FIG. 6 is a left side view of the electrical outlet having a ground fault circuit interrupter shown in FIG. 1;

FIG. 7 is a rear view of the electrical outlet having a ground fault circuit interrupter shown in FIG. 1; and,

FIG. 8 is a front perspective view of the electrical outlet having a ground fault circuit interrupter shown in FIG. 1, but with the cover for the electrical outlet being in an open position.

1 Claim, 6 Drawing Sheets



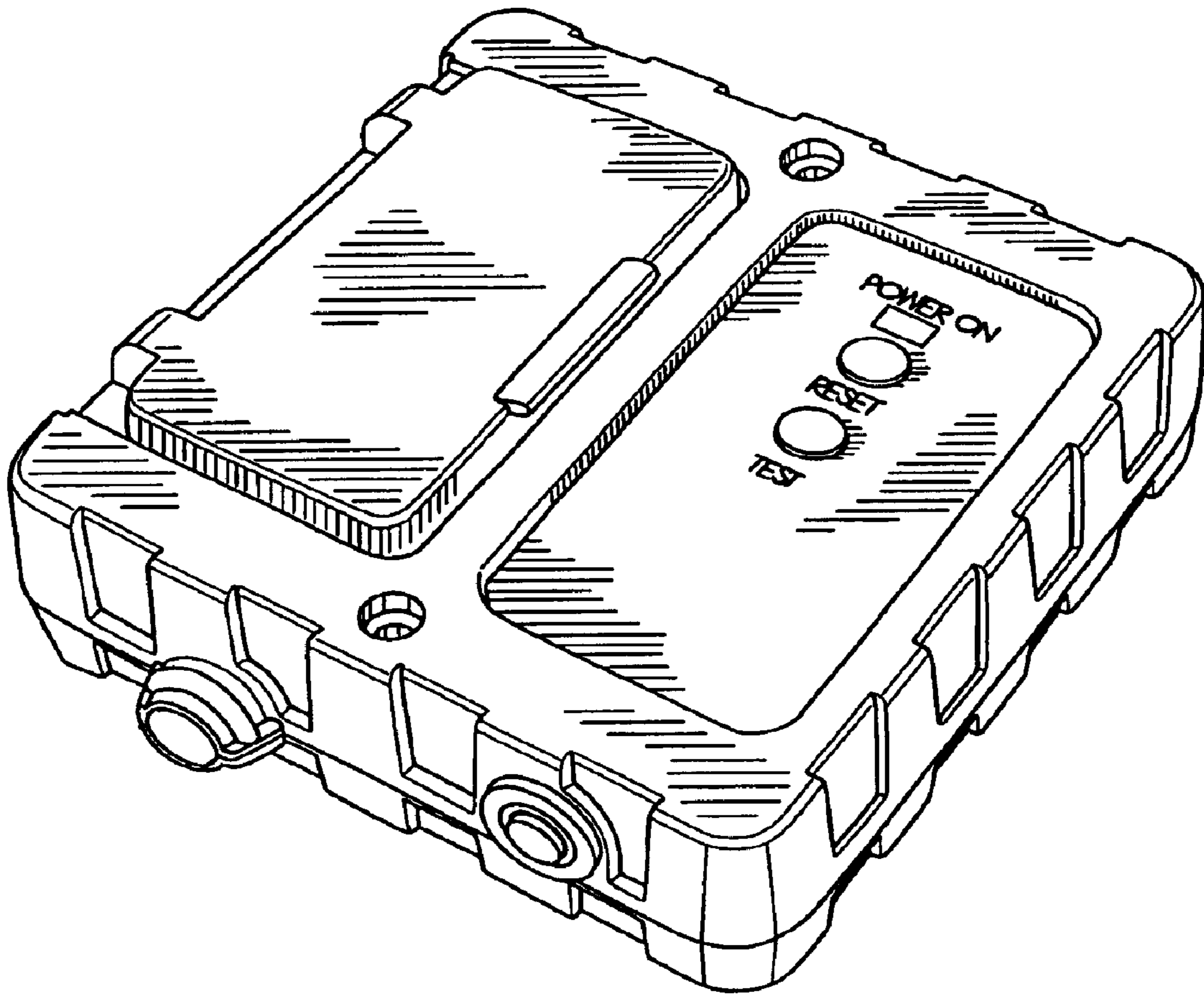


FIG. 1

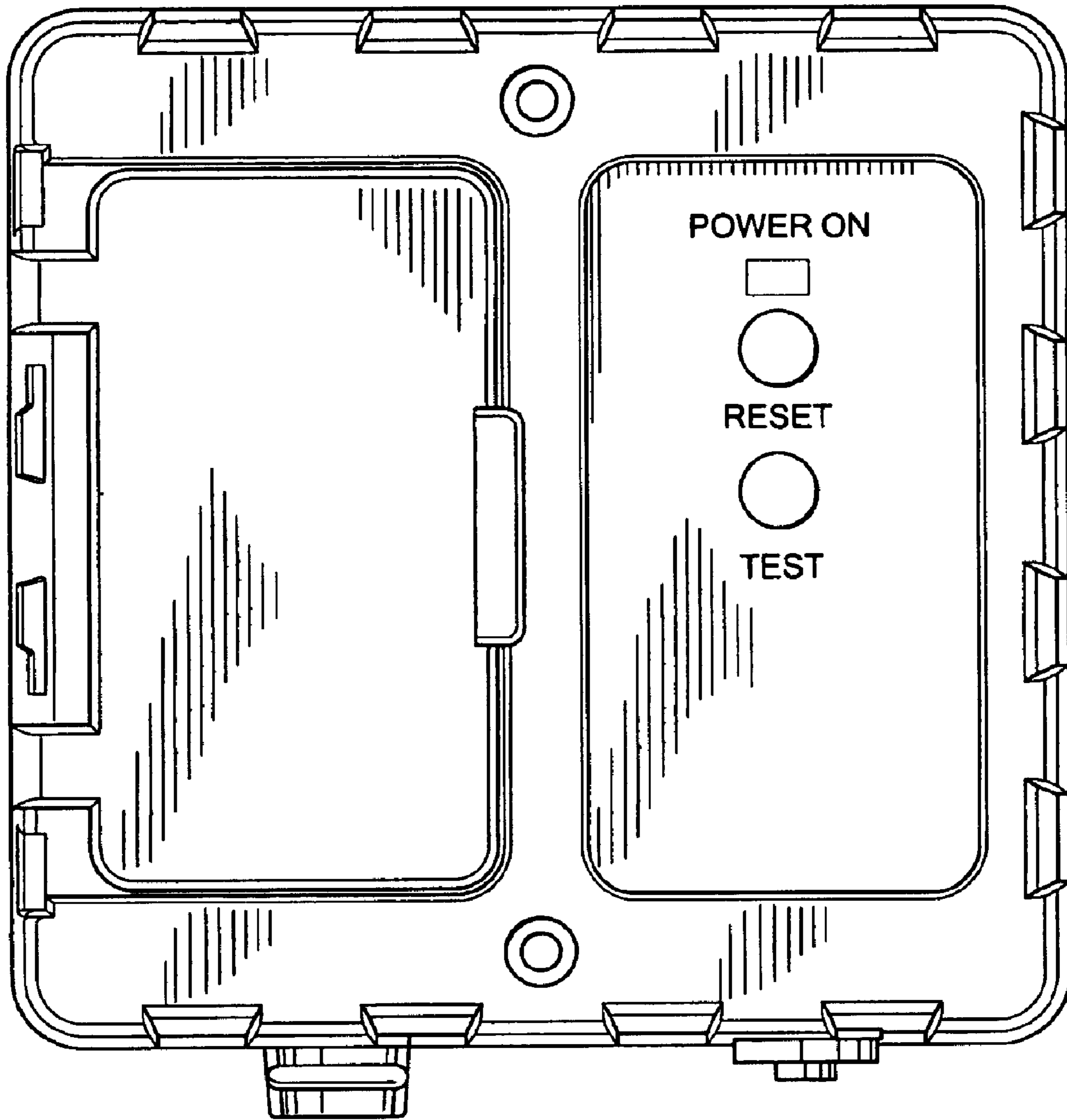


FIG. 2

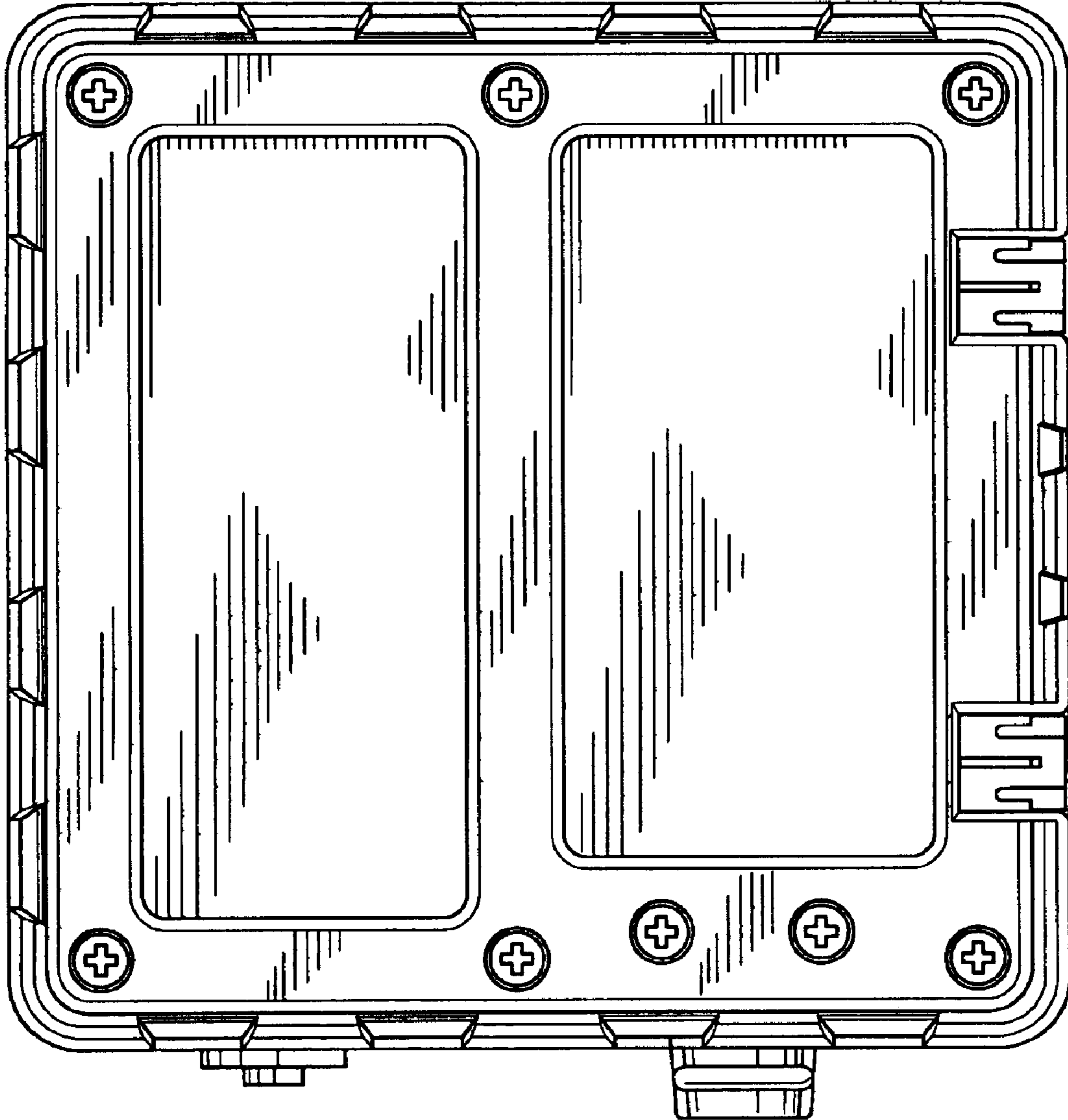


FIG. 3

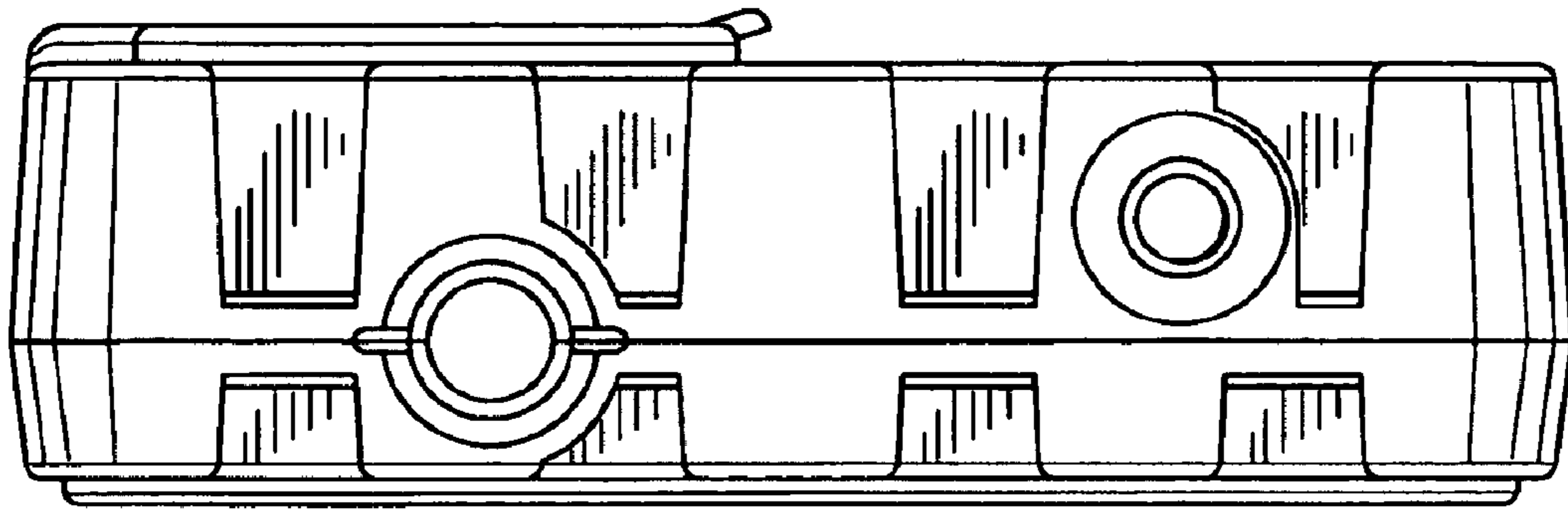


FIG. 4

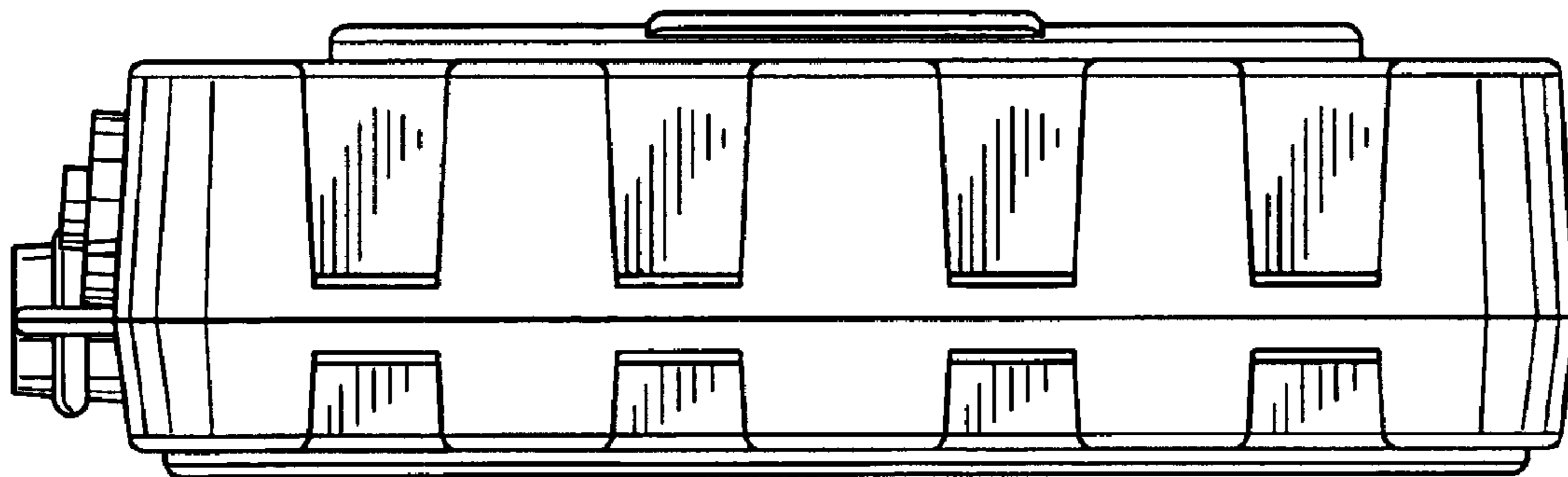


FIG. 5

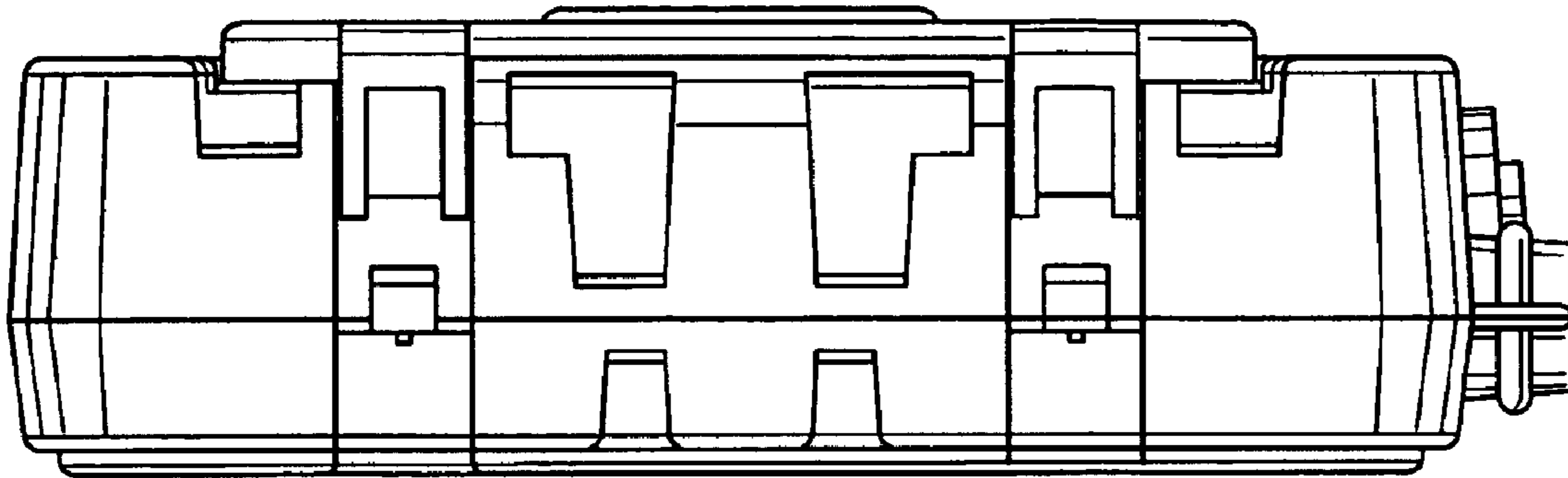


FIG. 6

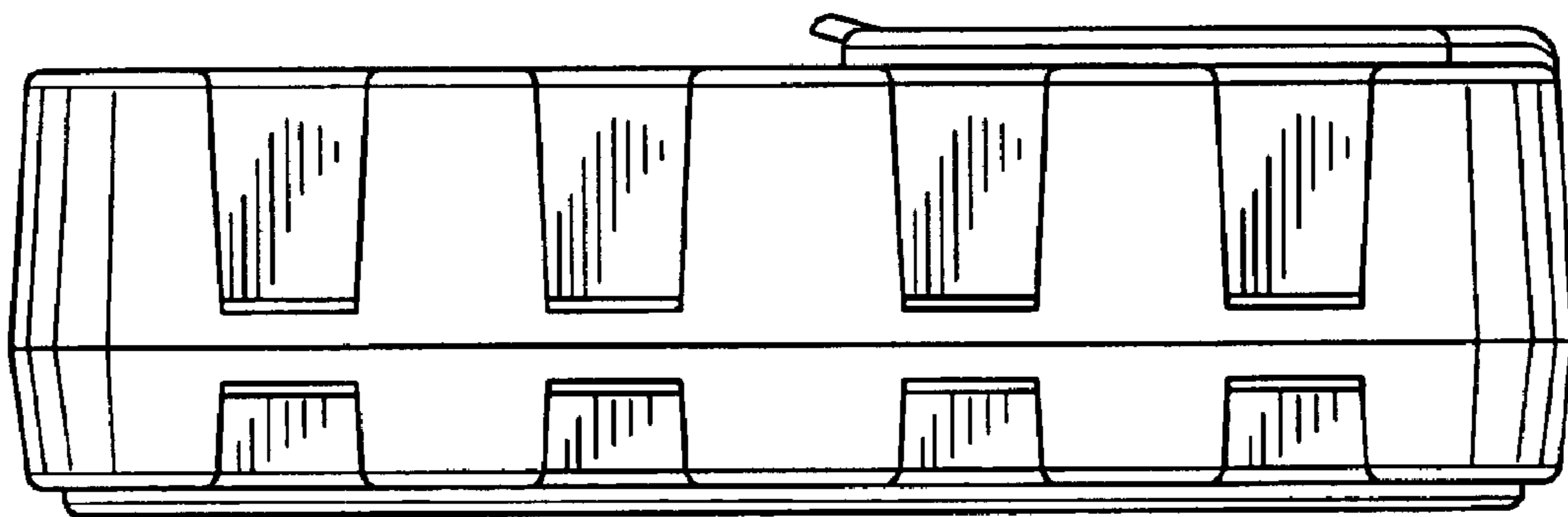


FIG 7

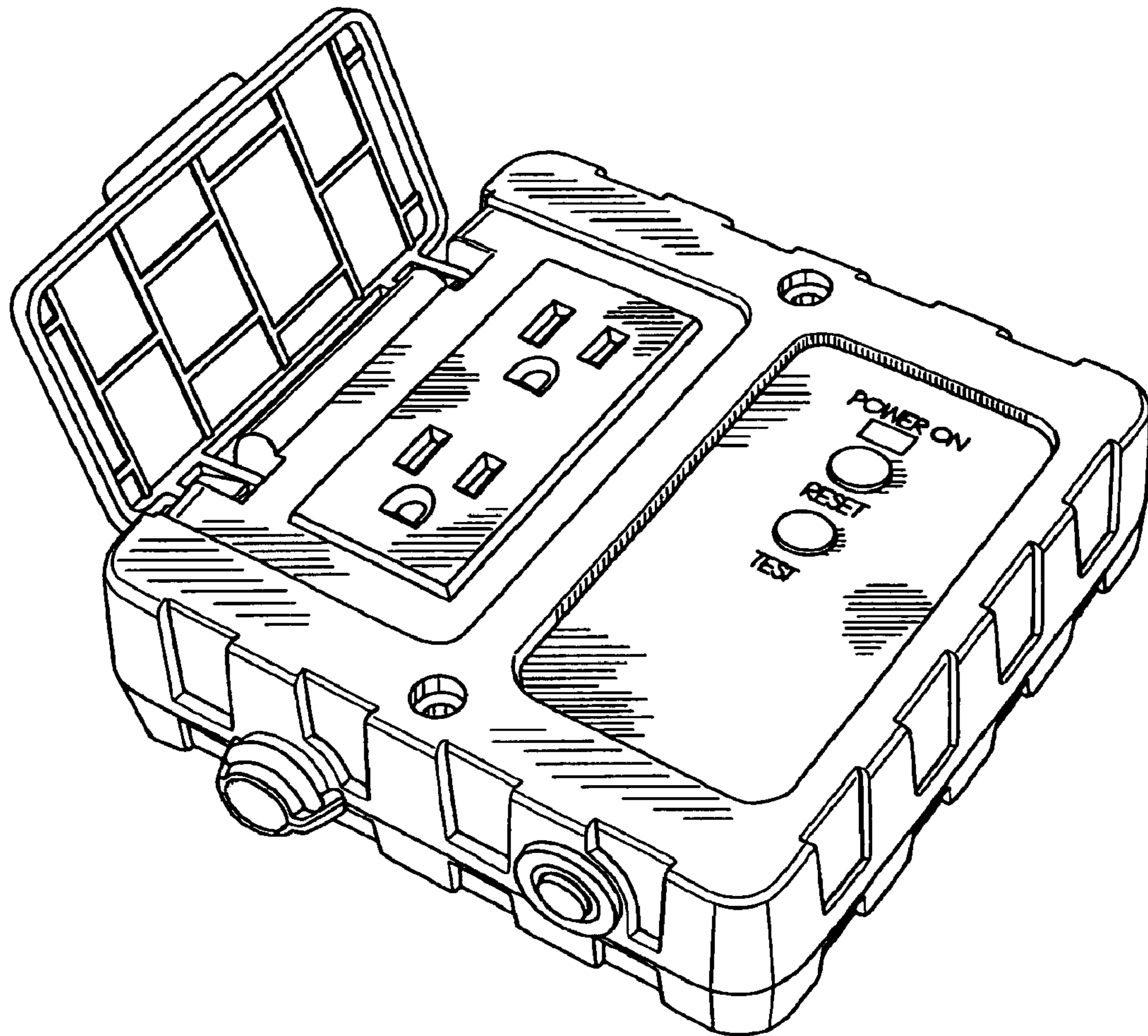


FIG. 8