



US00D513728S

(12) **United States Design Patent**  
**Yazawa et al.**

(10) **Patent No.:** **US D513,728 S**  
(45) **Date of Patent:** **\*\* Jan. 24, 2006**

(54) **WHEEL FOR AN AUTOMOBILE**  
(75) Inventors: **Jiro Yazawa, Aichi-ken (JP); Kaoru Ichikawa, Aichi-ken (JP)**  
(73) Assignee: **Toyota Jidosha Kabushiki Kaisha (JP)**  
(\*\*) Term: **14 Years**

D442,536 S \* 5/2001 Chung ..... D12/211  
D450,288 S \* 11/2001 Lee ..... D12/209  
D450,646 S \* 11/2001 Kuribayashi ..... D12/209  
D473,836 S \* 4/2003 Laengerer ..... D12/211  
D477,556 S \* 7/2003 Koch ..... D12/211  
D486,772 S \* 2/2004 Warming ..... D12/211  
D498,194 S \* 11/2004 Aquino ..... D12/209  
D504,382 S \* 4/2005 Elmitt ..... D12/211  
D504,647 S \* 5/2005 Leclercq ..... D12/209

(21) Appl. No.: **29/225,192**  
(22) Filed: **Mar. 11, 2005**  
(30) **Foreign Application Priority Data**  
Dec. 24, 2004 (JP) ..... 2004-039431  
(51) **LOC (8) Cl.** ..... **12-16**  
(52) **U.S. Cl.** ..... **D12/211**  
(58) **Field of Classification Search** ..... D12/204-213;  
301/37.101, 64.101, 65  
See application file for complete search history.

**OTHER PUBLICATIONS**

Mazda, ATENZA 2002, Website of Mazda, May 20, 2002.

\* cited by examiner

*Primary Examiner*—Stacia Cadmus  
(74) *Attorney, Agent, or Firm*—Saidman DesignLaw Group

(57) **CLAIM**

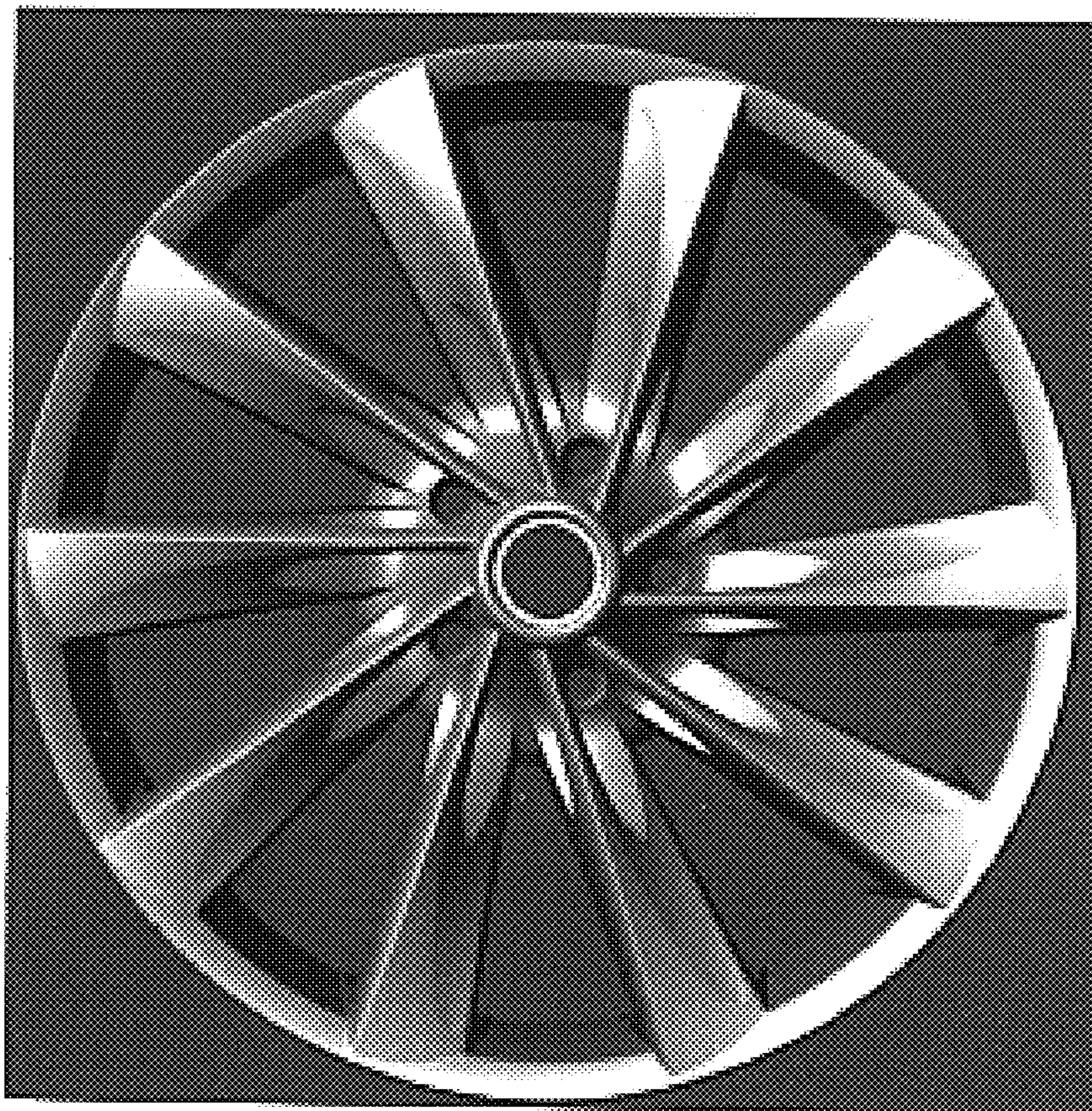
The ornamental design for a wheel for an automobile, as shown and described.

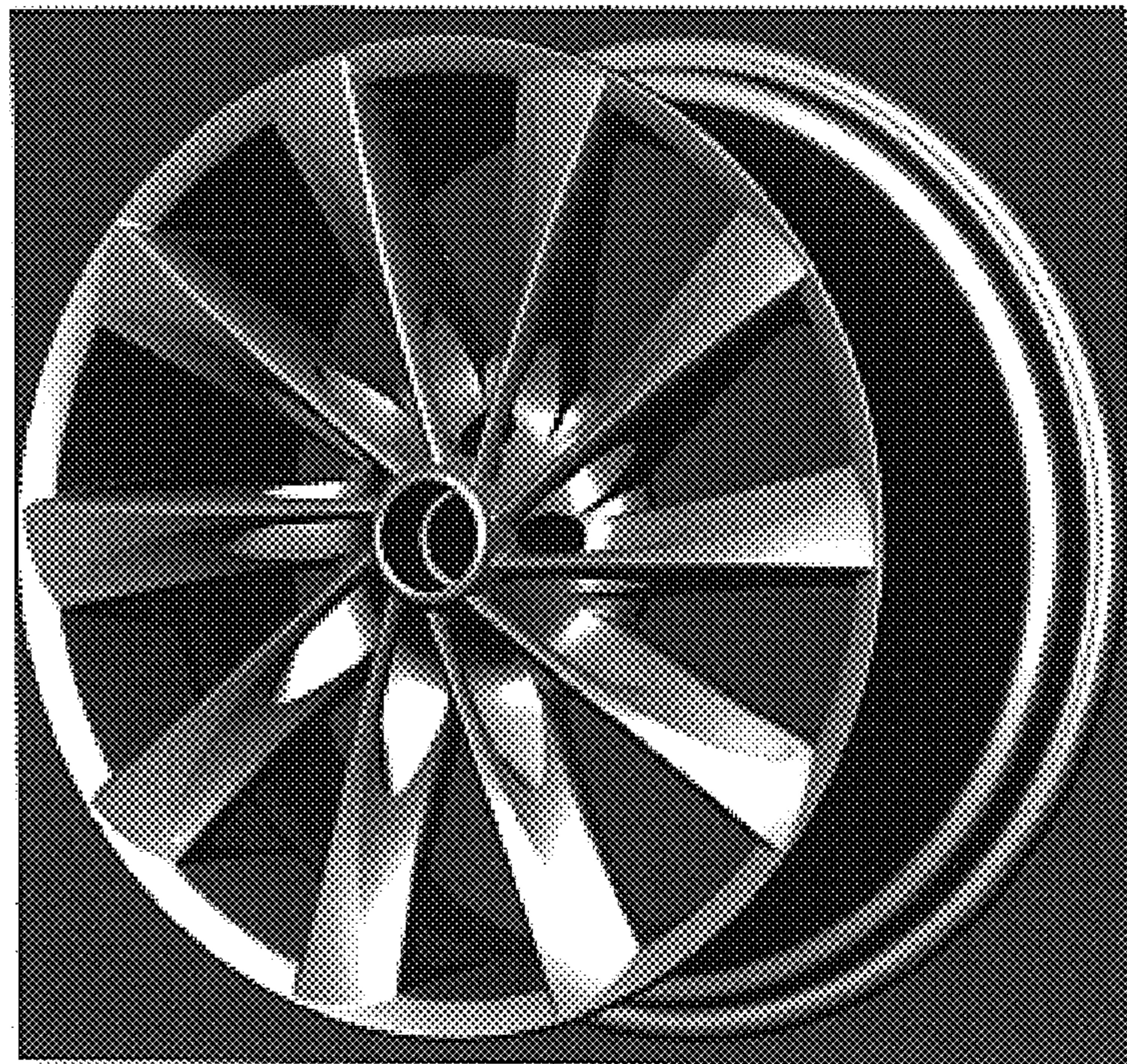
**DESCRIPTION**

FIG. 1 is a front perspective view of a wheel for an automobile showing our new design; and, FIG. 2 is a front view thereof.

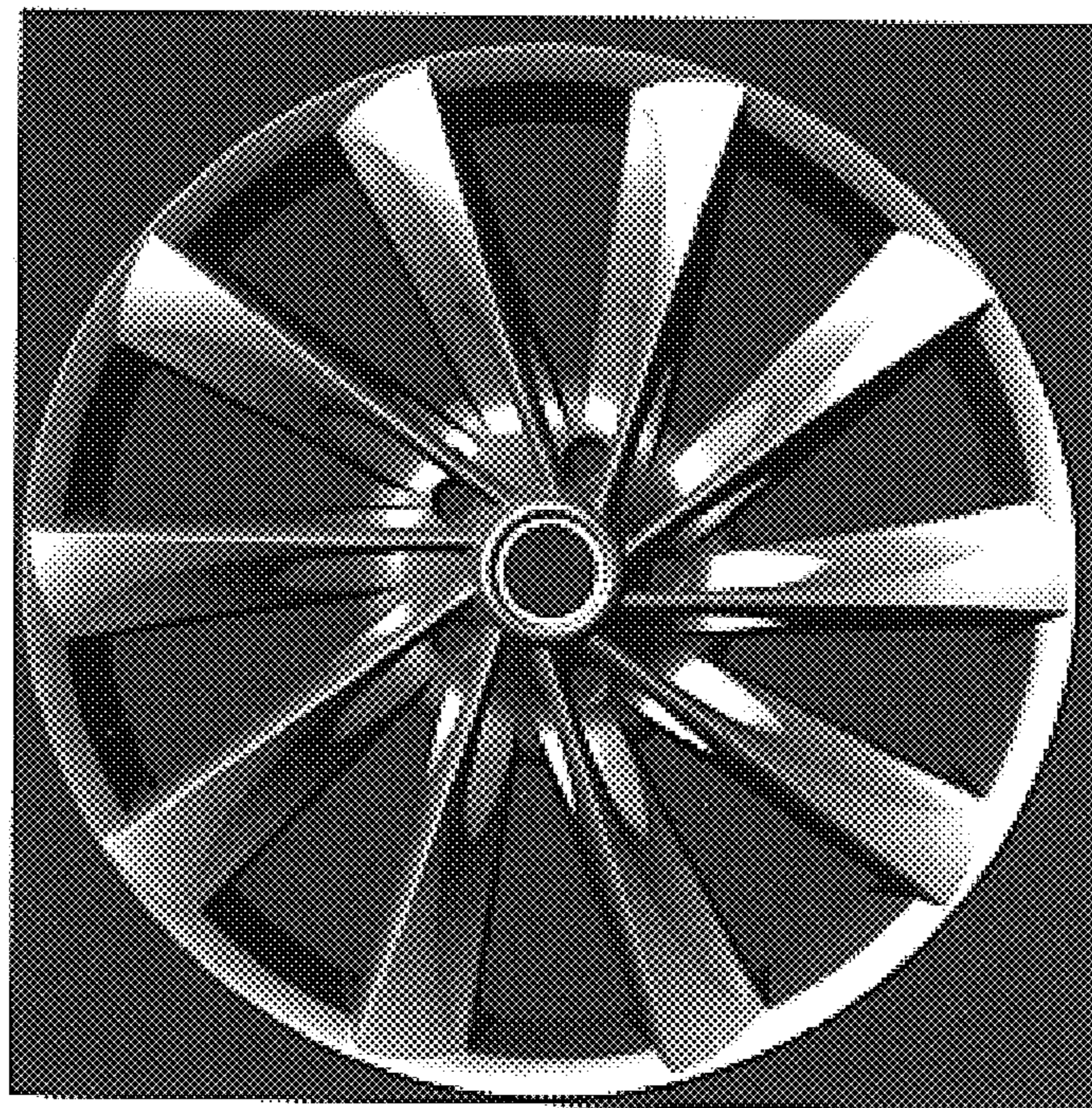
**1 Claim, 1 Drawing Sheet**

(56) **References Cited**  
**U.S. PATENT DOCUMENTS**  
D248,295 S \* 6/1978 Day et al. .... D12/206  
D392,239 S \* 3/1998 Cullen ..... D12/211  
D396,441 S \* 7/1998 Nishida ..... D12/209





**FIG. 1**



**FIG. 2**