



US00D513726S

(12) **United States Design Patent**
Kamimura

(10) **Patent No.:** **US D513,726 S**
(45) **Date of Patent:** **** Jan. 24, 2006**

(54) **WHEEL FOR AN AUTOMOBILE**
(75) **Inventor:** **Tadahiro Kamimura, Saitama (JP)**
(73) **Assignee:** **Honda Motor Co., Ltd., Tokyo (JP)**
(**) **Term:** **14 Years**

D473,505 S * 4/2003 Min D12/209
D479,177 S * 9/2003 Nordmann D12/211
D493,761 S * 8/2004 Kang D12/211
D494,124 S * 8/2004 Aiello et al. D12/211
D494,523 S * 8/2004 Koenigsberg D12/209
D503,917 S * 4/2005 Kushartanto D12/209
D504,649 S * 5/2005 Pfeiffer D12/209

* cited by examiner

(21) **Appl. No.:** **29/211,792**
(22) **Filed:** **Aug. 23, 2004**
(30) **Foreign Application Priority Data**

Feb. 23, 2004 (JP) 2004-005062

(51) **LOC (8) Cl.** **12-16**
(52) **U.S. Cl.** **D12/211**
(58) **Field of Classification Search** D12/204-213;
301/37.101, 64.101, 65
See application file for complete search history.

Primary Examiner—Stacia Cadmus
(74) *Attorney, Agent, or Firm*—Westerman, Hattori,
Daniels & Adrian, LLP

(57) **CLAIM**

The ornamental design for a, wheel for an automobile, as shown and described.

(56) **References Cited**

U.S. PATENT DOCUMENTS

D412,693 S * 8/1999 Kulla D12/211
D432,483 S * 10/2000 Chung D12/211
D444,439 S * 7/2001 Cullen D12/211
D455,703 S * 4/2002 Foose D12/211
D459,687 S * 7/2002 Chung D12/209
D467,857 S * 12/2002 Chung D12/209

DESCRIPTION

FIG. 1 is a front elevation view of wheel for an automobile, showing our new design;
FIG. 2 is a top plan view thereof;
FIG. 3 is a bottom plan view thereof;
FIG. 4 is a right side elevation view thereof;
FIG. 5 is a left side elevation view thereof; and,
FIG. 6 is a perspective view thereof.
The broken line showing of environment is for illustrative purposes only and forms no part of the claimed design.

1 Claim, 5 Drawing Sheets

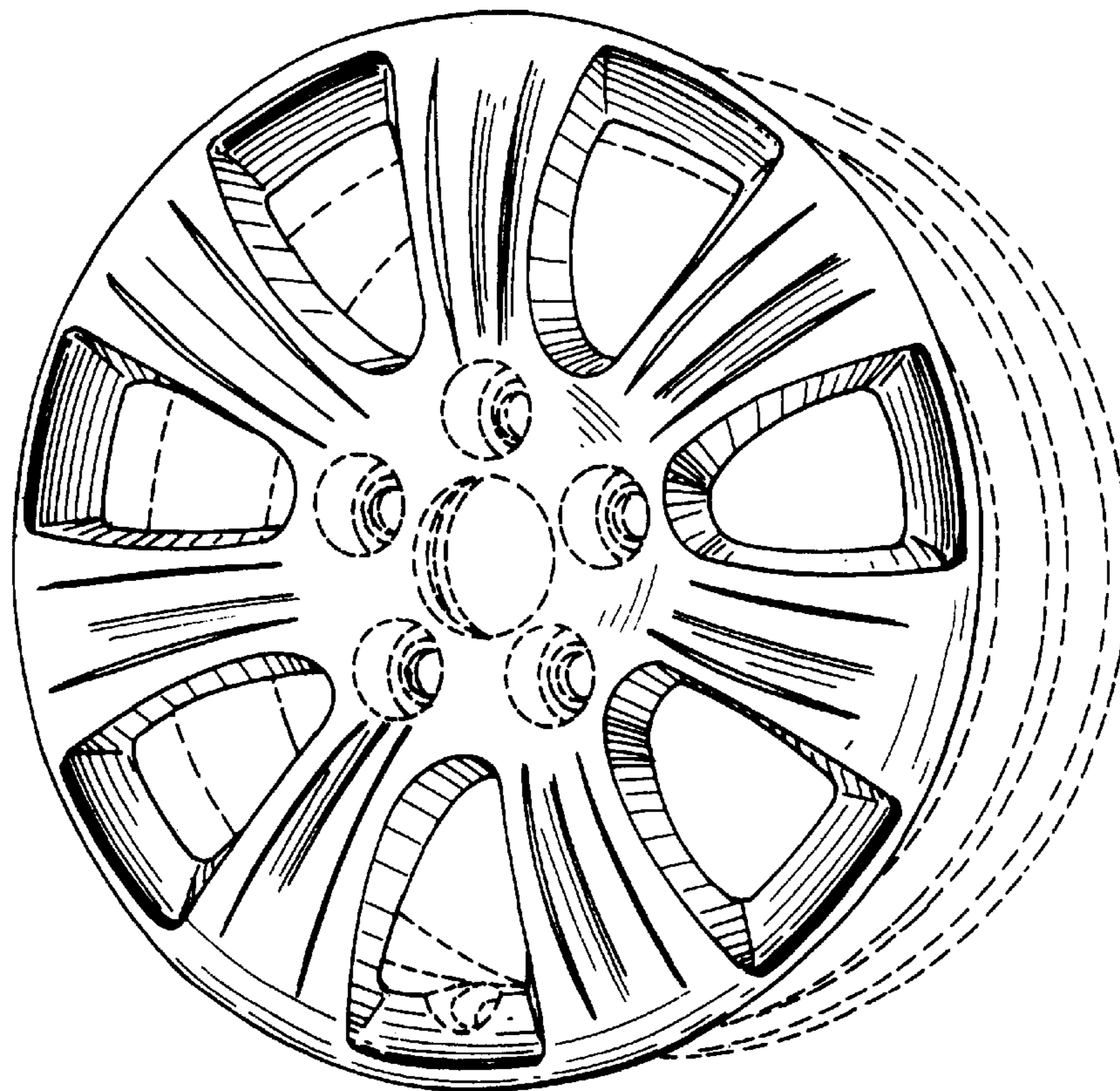


FIG. 1

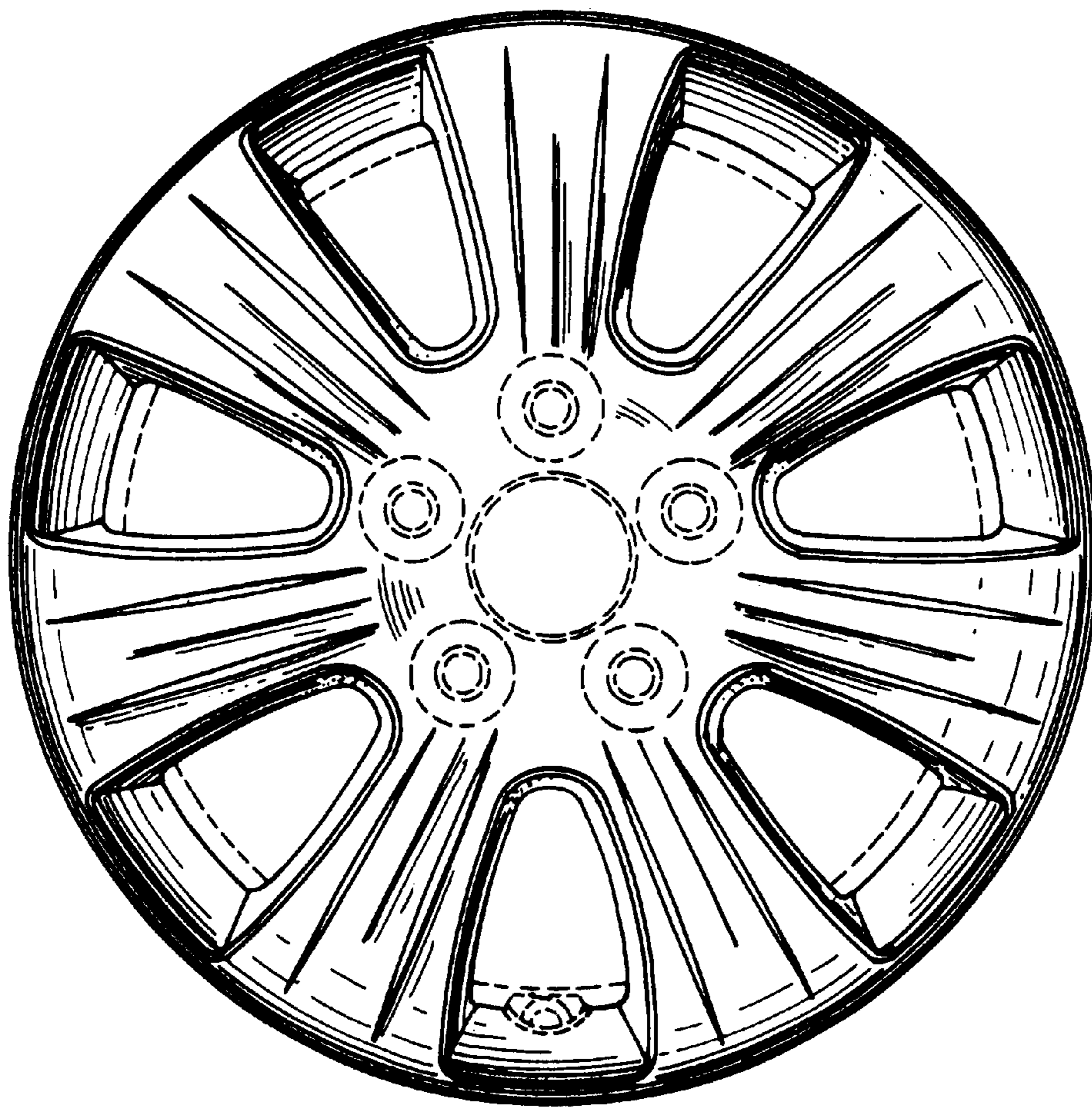


FIG. 2

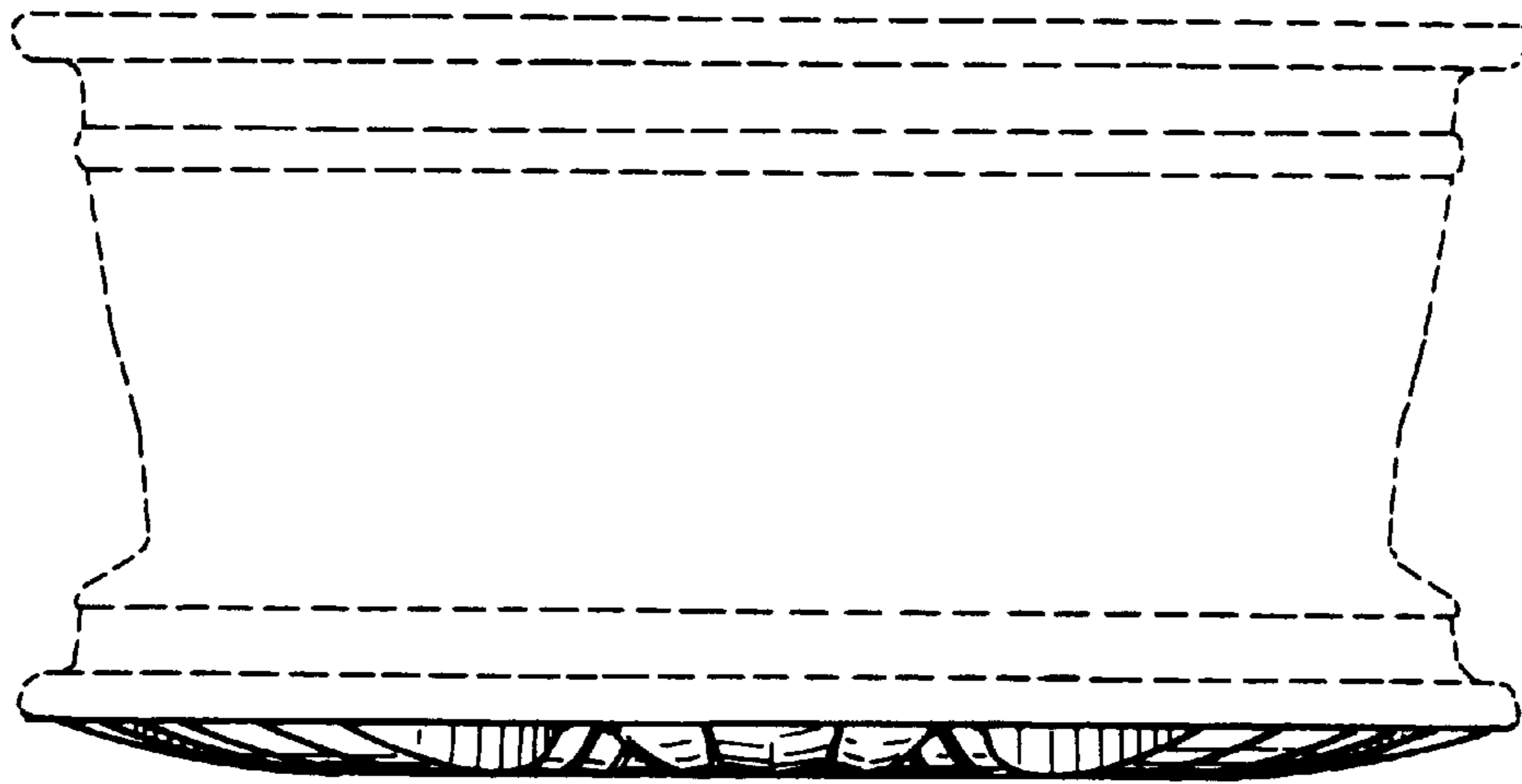


FIG. 3

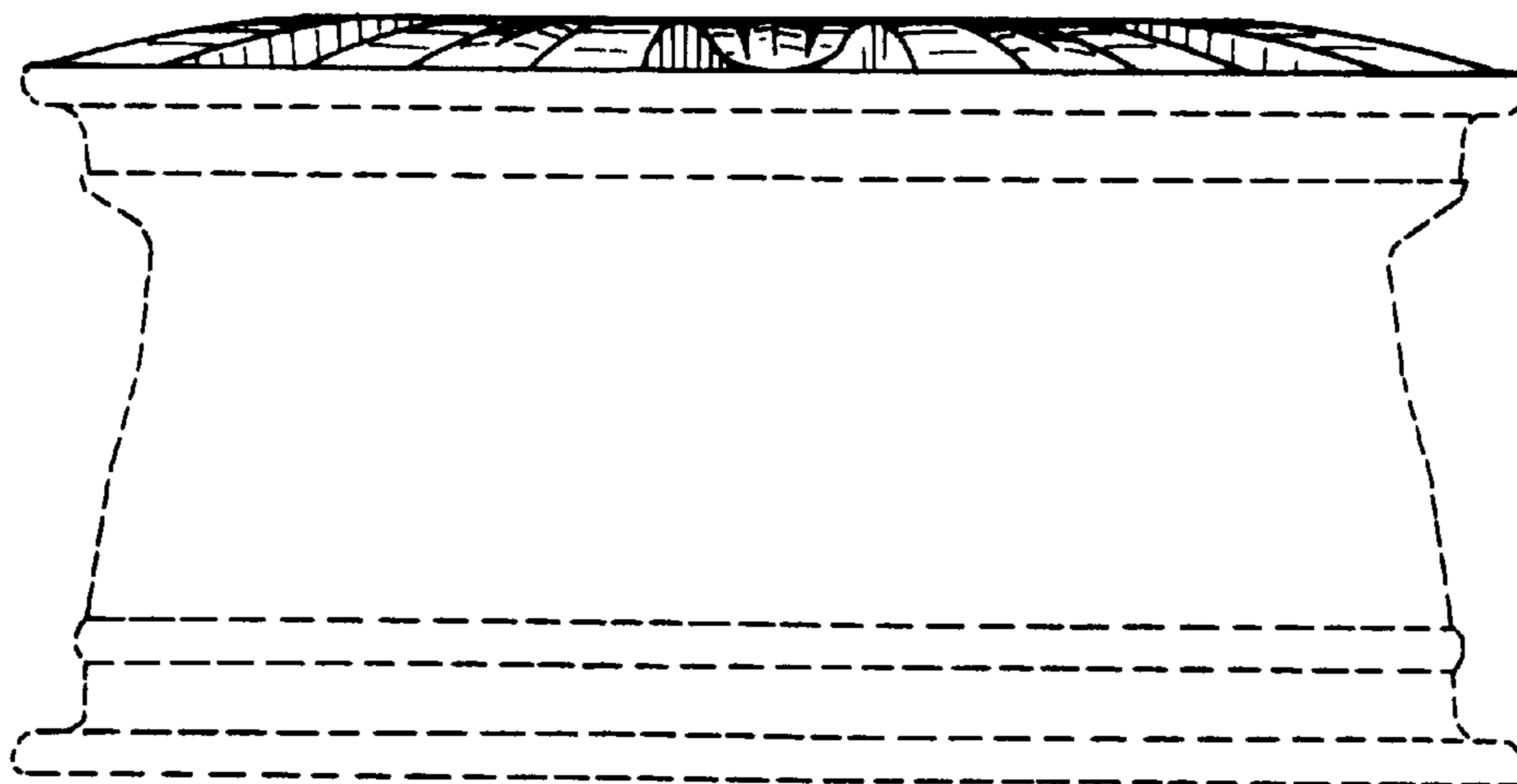


FIG. 4

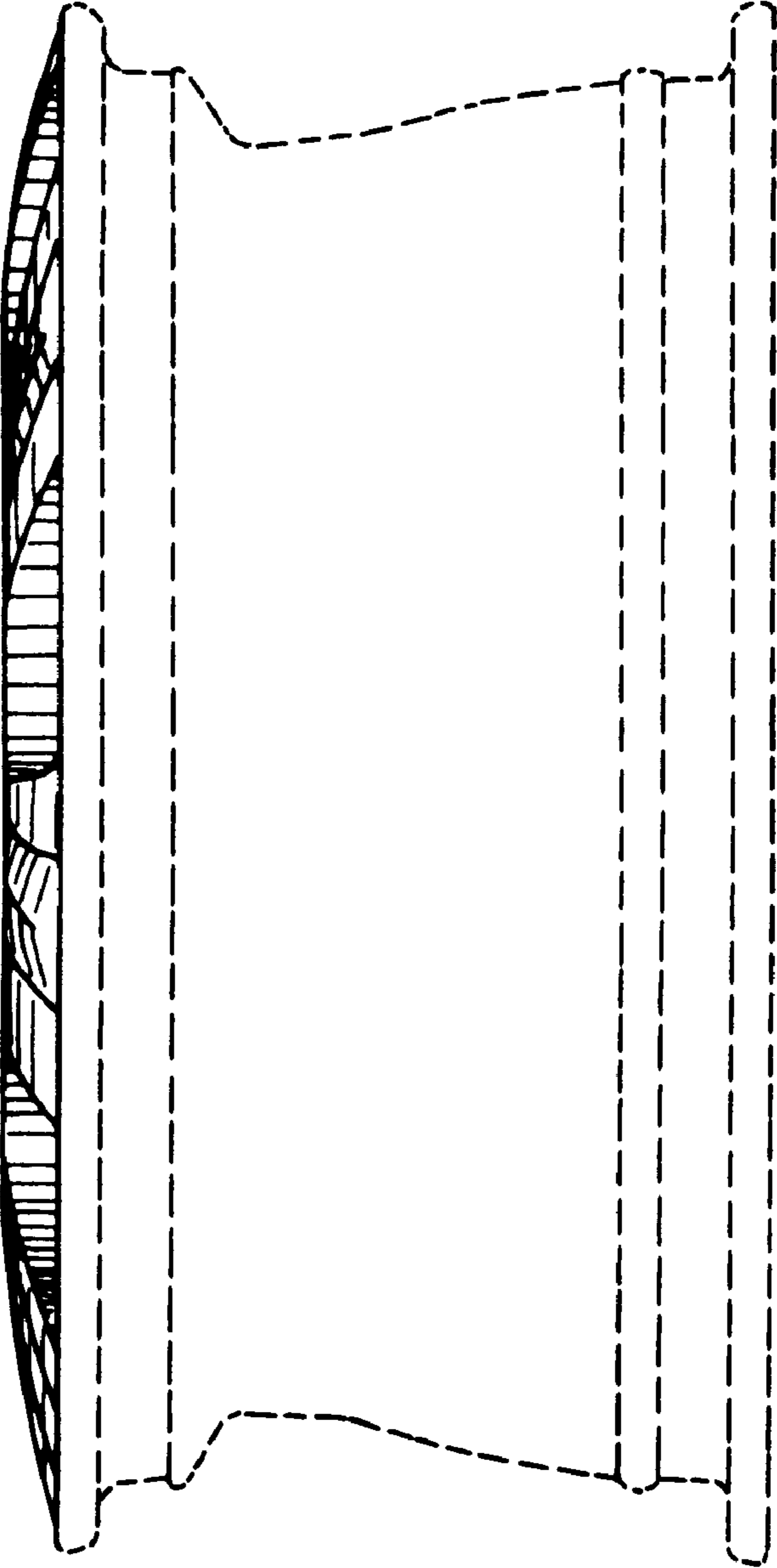


FIG. 5

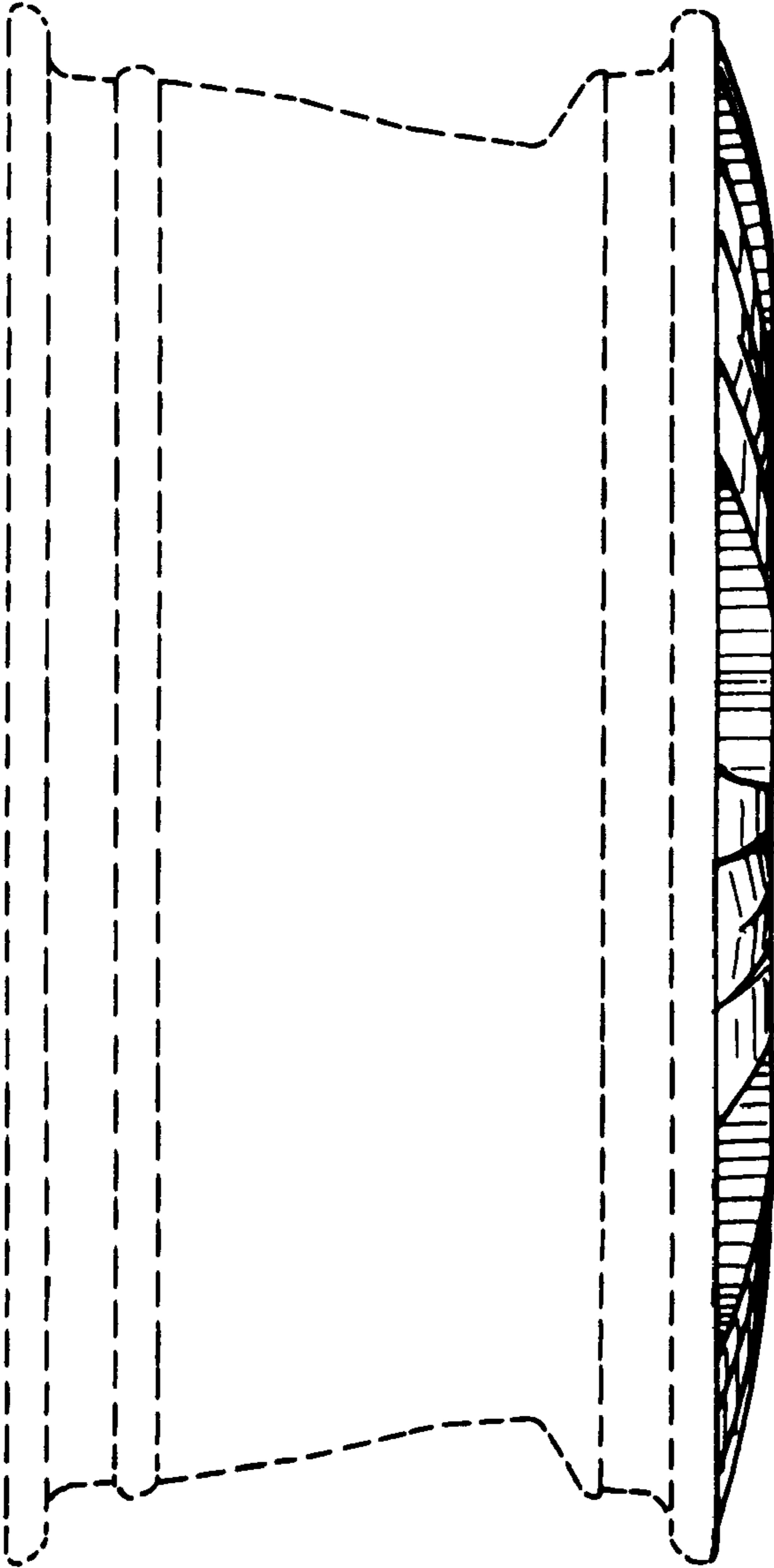


FIG. 6

