



US00D513724S

(12) **United States Design Patent**
Stenzel

(10) **Patent No.:** **US D513,724 S**
(45) **Date of Patent:** **** Jan. 24, 2006**

(54) **MIRROR HEAD**

(75) **Inventor:** **Alexander Stenzel**, Bad Windsheim
(DE)

(73) **Assignee:** **Lang Mekra North America, LLC**,
Ridgeway, SC (US)

(**) **Term:** **14 Years**

(21) **Appl. No.:** **29/209,233**

(22) **Filed:** **Jul. 13, 2004**

Related U.S. Application Data

(63) Continuation of application No. 10/036,341, filed on Dec.
26, 2001, now Pat. No. 6,793,357.

(51) **LOC (8) Cl.** **12-16**

(52) **U.S. Cl.** **D12/187**

(58) **Field of Classification Search** D12/187-189;
359/838-851, 855-868, 871-881

See application file for complete search history.

(56) **References Cited**

U.S. PATENT DOCUMENTS

D424,001 S * 5/2000 Englander D12/187

D425,841 S * 5/2000 Turner D12/189

D426,182 S * 6/2000 Brown D12/189

D427,127 S * 6/2000 Horowitz D12/187

D431,508 S * 10/2000 Matsumoto et al. D12/187

D448,333 S * 9/2001 Stenzel D12/187

* cited by examiner

Primary Examiner—Melody N. Brown

(74) *Attorney, Agent, or Firm*—McNair Law Firm, P.A.;
Cort Flint

(57) **CLAIM**

The ornamental design for a mirror head, as shown and
described.

DESCRIPTION

FIG. 1 is a right front perspective of my mirror head
according to the invention;

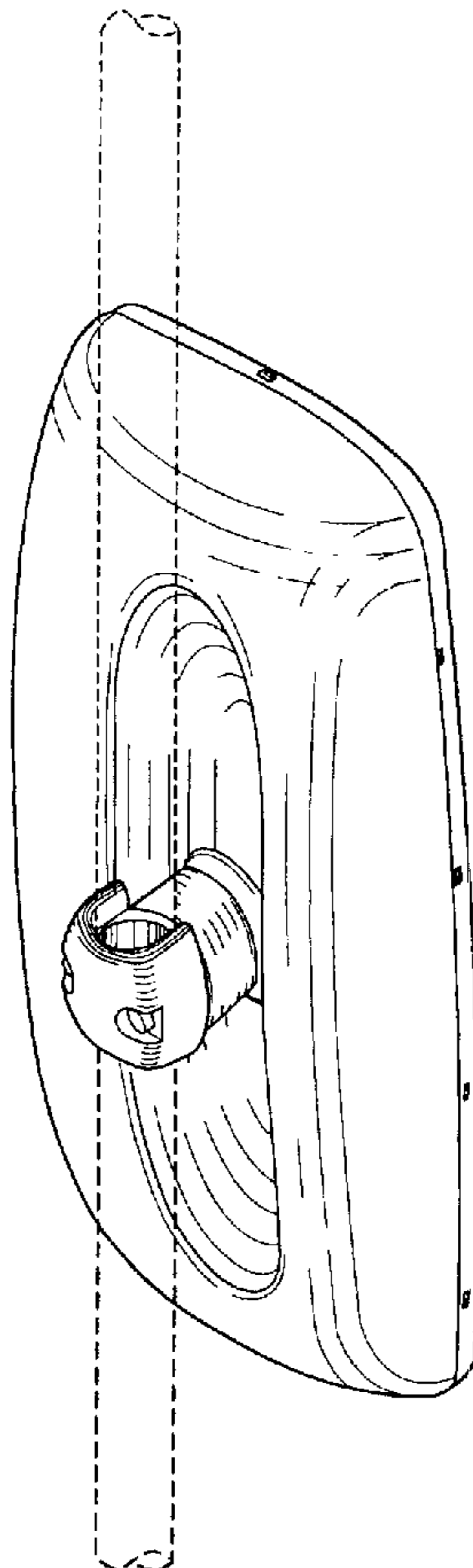
FIG. 2 is a elevation view of the front of my mirror head;

FIG. 3 is an end view of my new design;

FIG. 4 is a right side elevation of my new design relative to
the end view of FIG. 3; and,

FIG. 5 is a left side view of my new design.

1 Claim, 3 Drawing Sheets



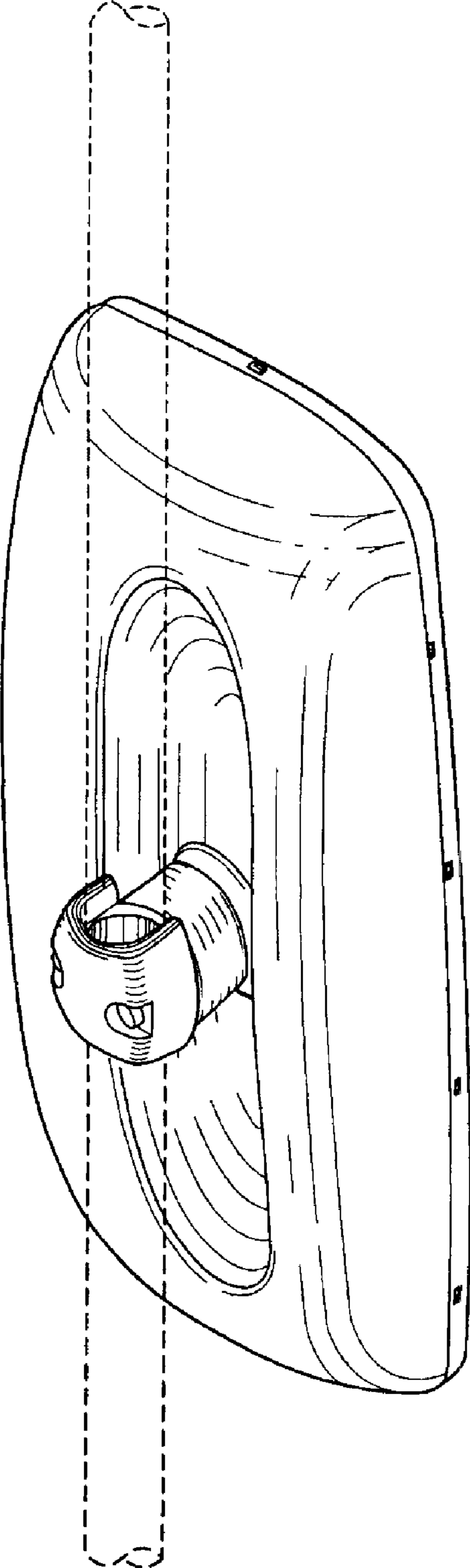


Fig. 1

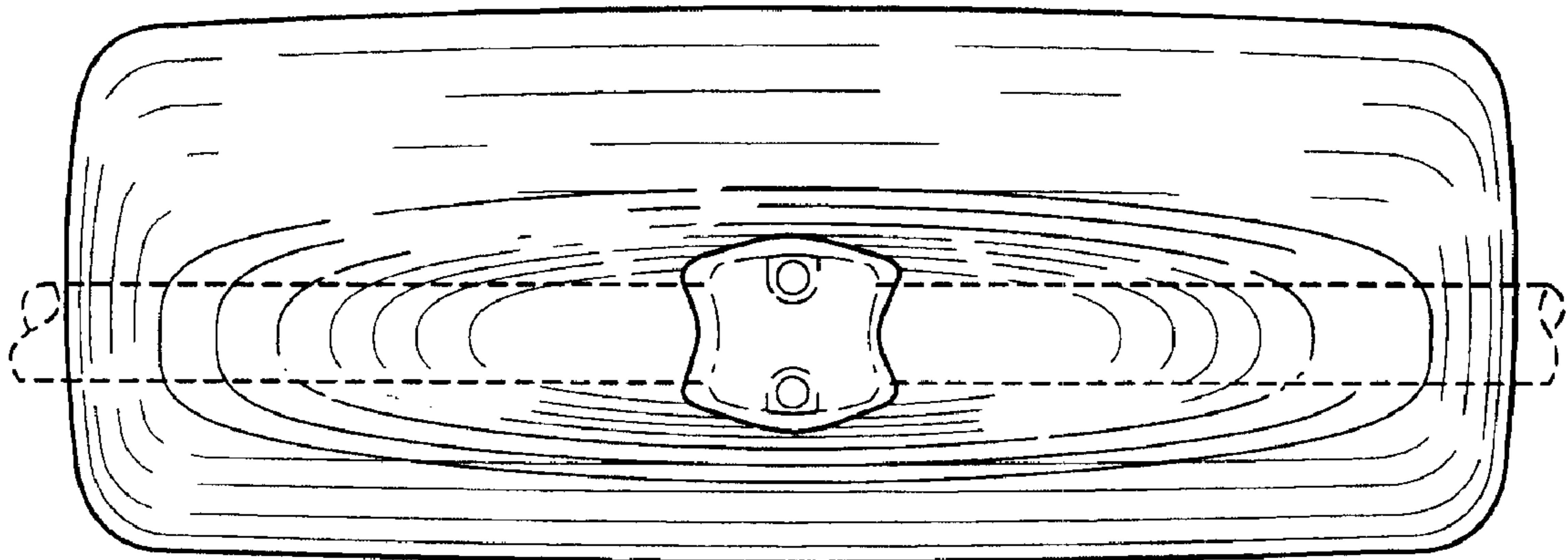


Fig. 2

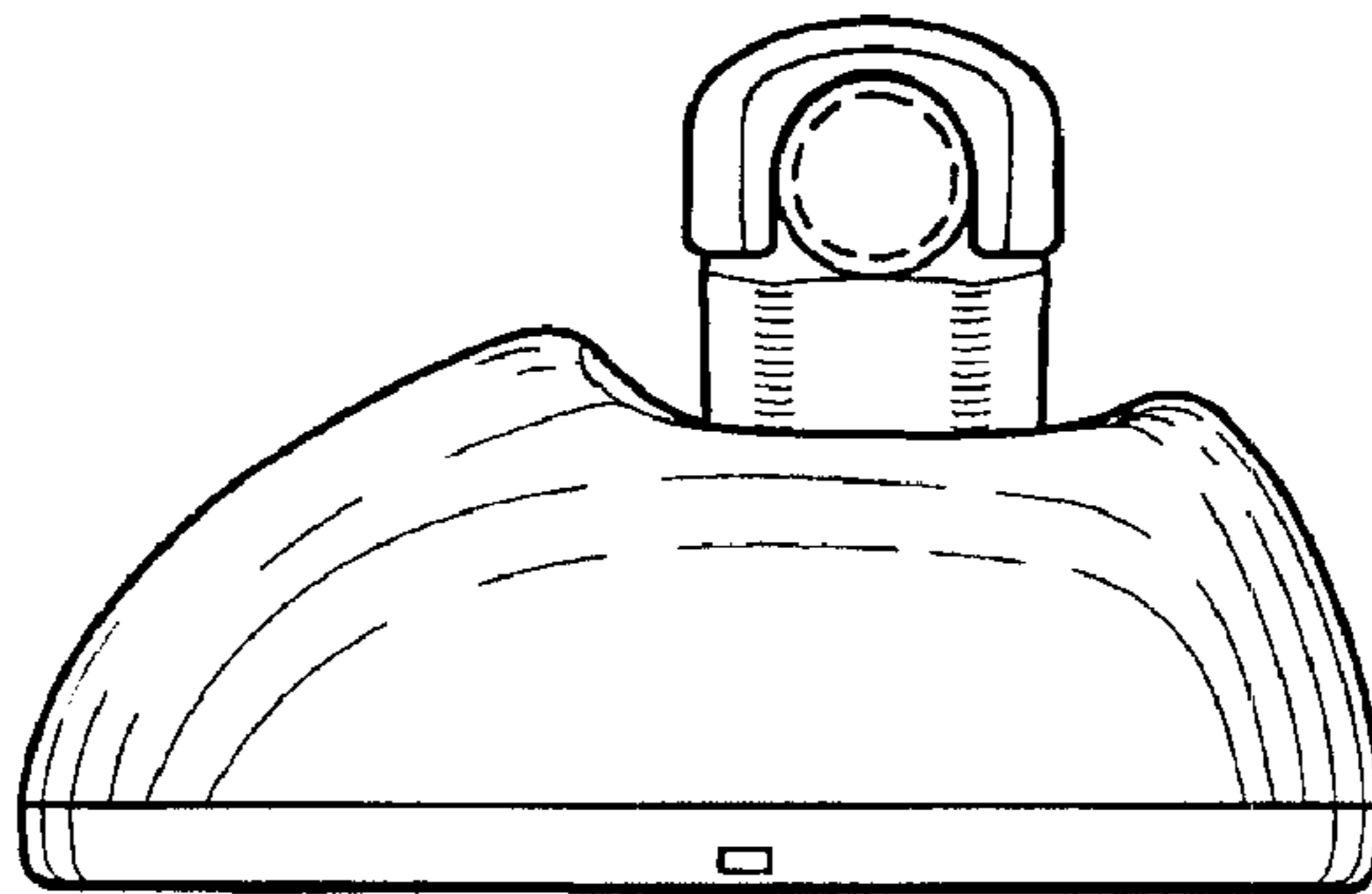


Fig. 3

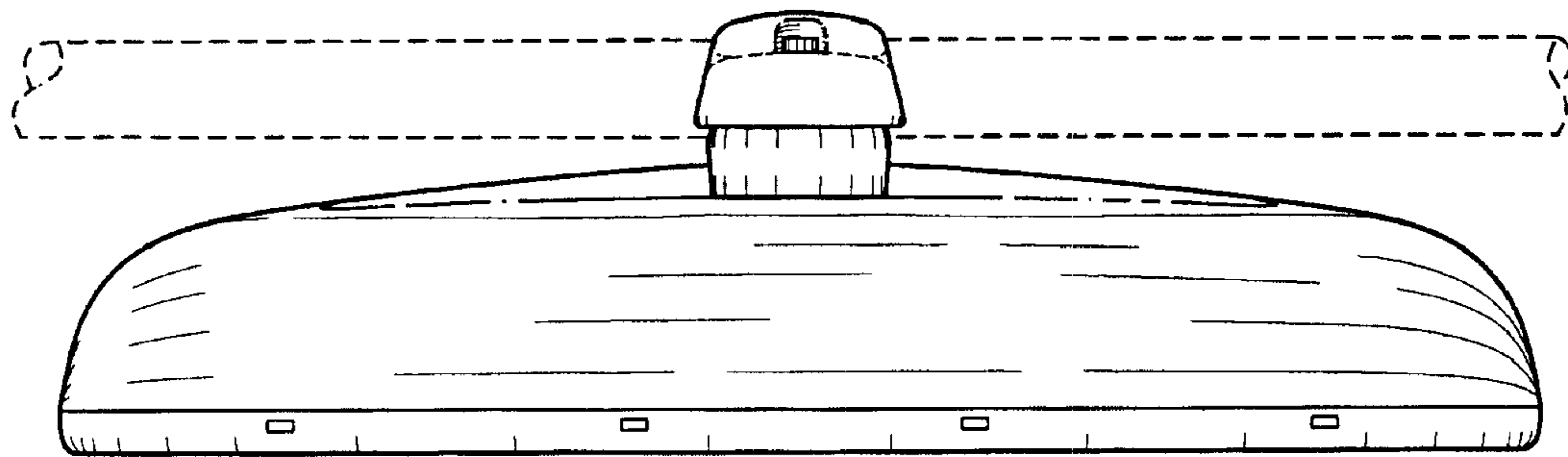


Fig. 4

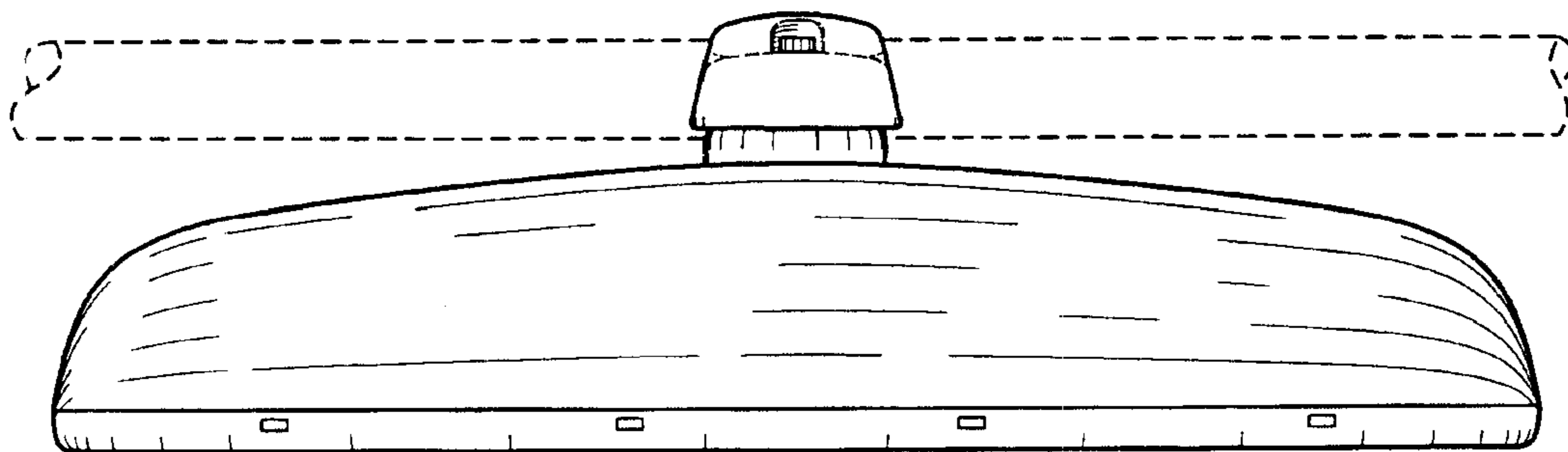


Fig. 5