

US00D513723S

(12) **United States Design Patent**  
**Sawabe et al.**

(10) **Patent No.:** **US D513,723 S**  
(45) **Date of Patent:** **\*\* Jan. 24, 2006**

(54) **REAR COVER FOR MOTORCYCLE**

**FOREIGN PATENT DOCUMENTS**

(75) Inventors: **Akihiro Sawabe, Wako (JP); Takao Mikami, Wako (JP)**

JP 1149720 1/2004

\* cited by examiner

(73) Assignee: **Honda Giken Kogyo Kabushiki Kaisha, Tokyo (JP)**

*Primary Examiner*—Alan P. Douglas

*Assistant Examiner*—Linda Brooks

(\*\*) Term: **14 Years**

(74) *Attorney, Agent, or Firm*—Blank Rome LLP

(21) Appl. No.: **29/213,854**

(57) **CLAIM**

(22) Filed: **Sep. 24, 2004**

The ornamental design for a rear cover for motorcycle, as shown and described.

(30) **Foreign Application Priority Data**

**DESCRIPTION**

Mar. 26, 2004 (JP) ..... 2004-009275

(51) **LOC (8) Cl.** ..... **12-16**

(52) **U.S. Cl.** ..... **D12/186**

(58) **Field of Classification Search** ..... D12/110,  
D12/126, 181, 186; 180/219, 225; 293/105;  
296/78.1, 192, 193.08; 280/304.3, 304.4,  
280/152.1–152.3, 160.1, 852

See application file for complete search history.

FIG. 1 is a right side view;

FIG. 2 is a top view;

FIG. 3 is a left side view;

FIG. 4 is a bottom view;

FIG. 5 is a front view;

FIG. 6 is a rear view;

FIG. 7 is a perspective right front view;

FIG. 8 is a perspective left front view;

FIG. 9 is a perspective right rear view; and,

FIG. 10 is a perspective left rear view.

(56) **References Cited**

**U.S. PATENT DOCUMENTS**

D499,995 S \* 12/2004 Ban et al. .... D12/186

**1 Claim, 5 Drawing Sheets**

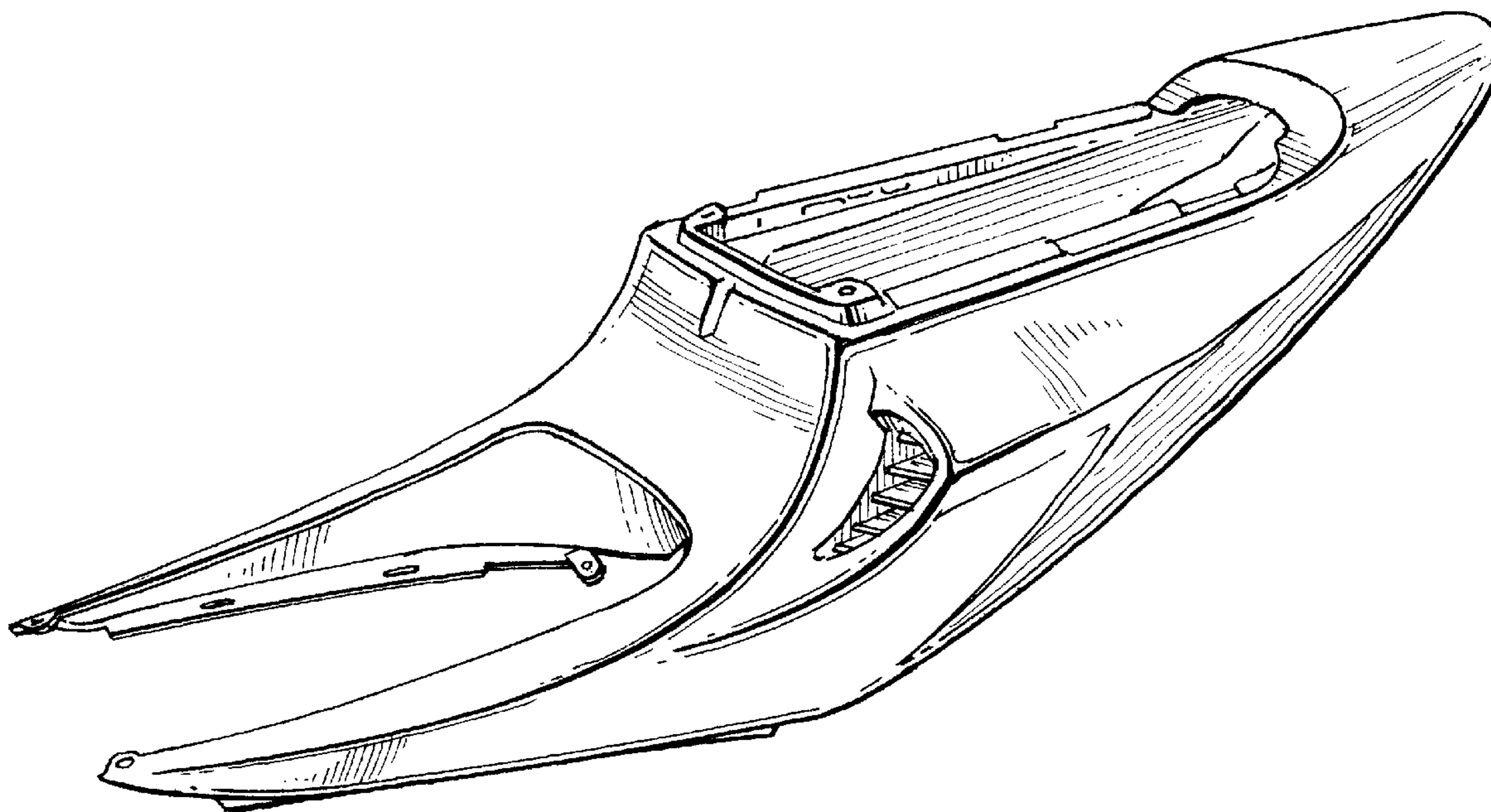


FIG. 1

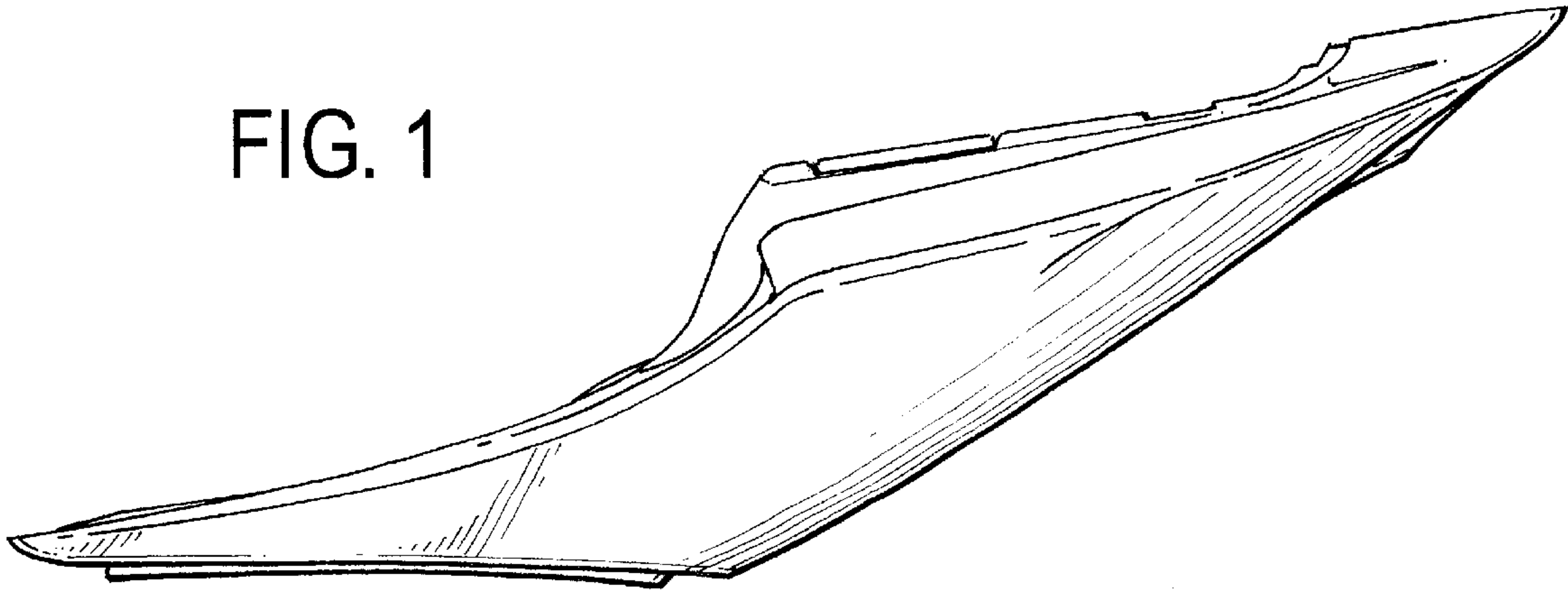
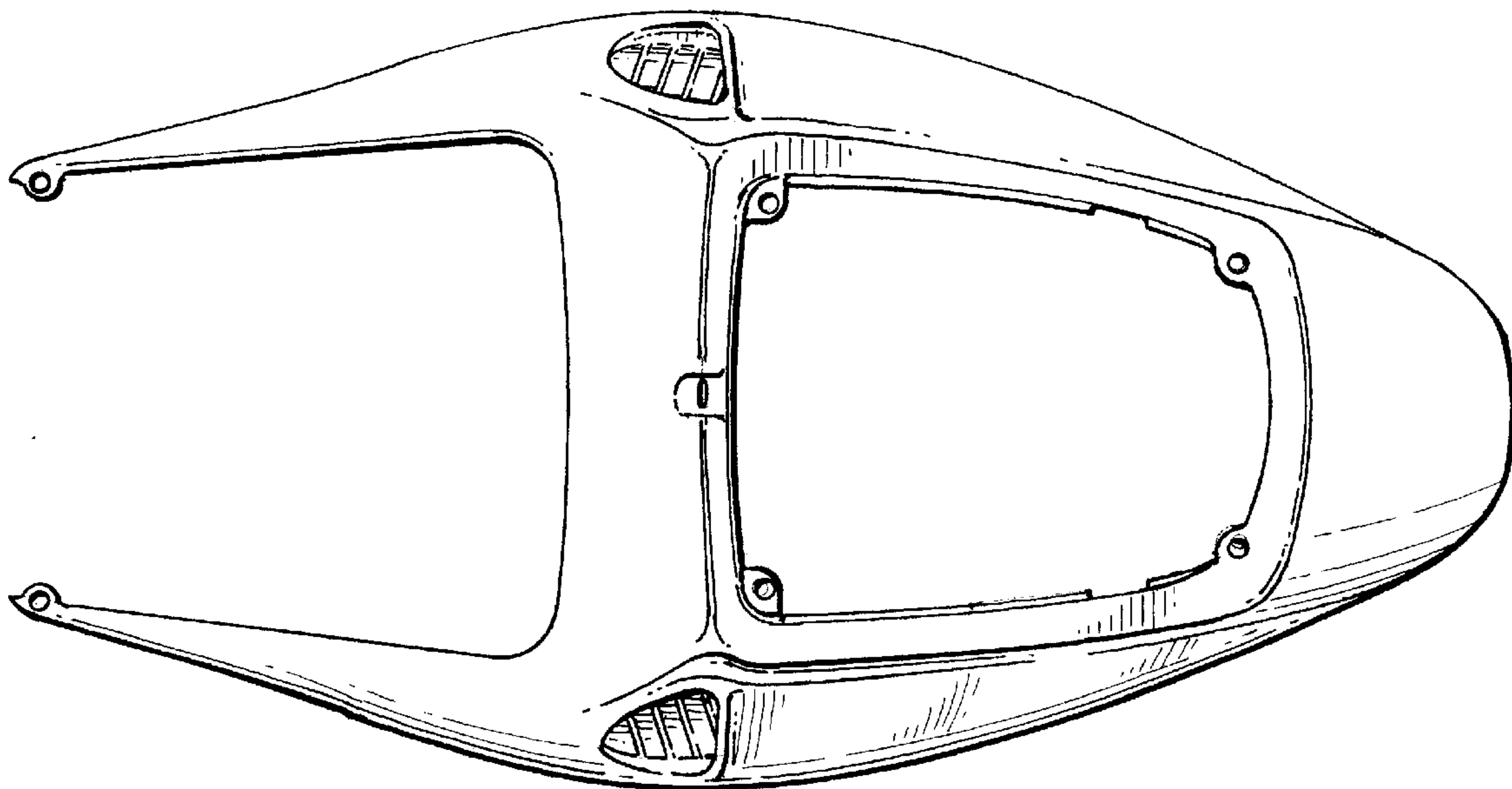


FIG. 2



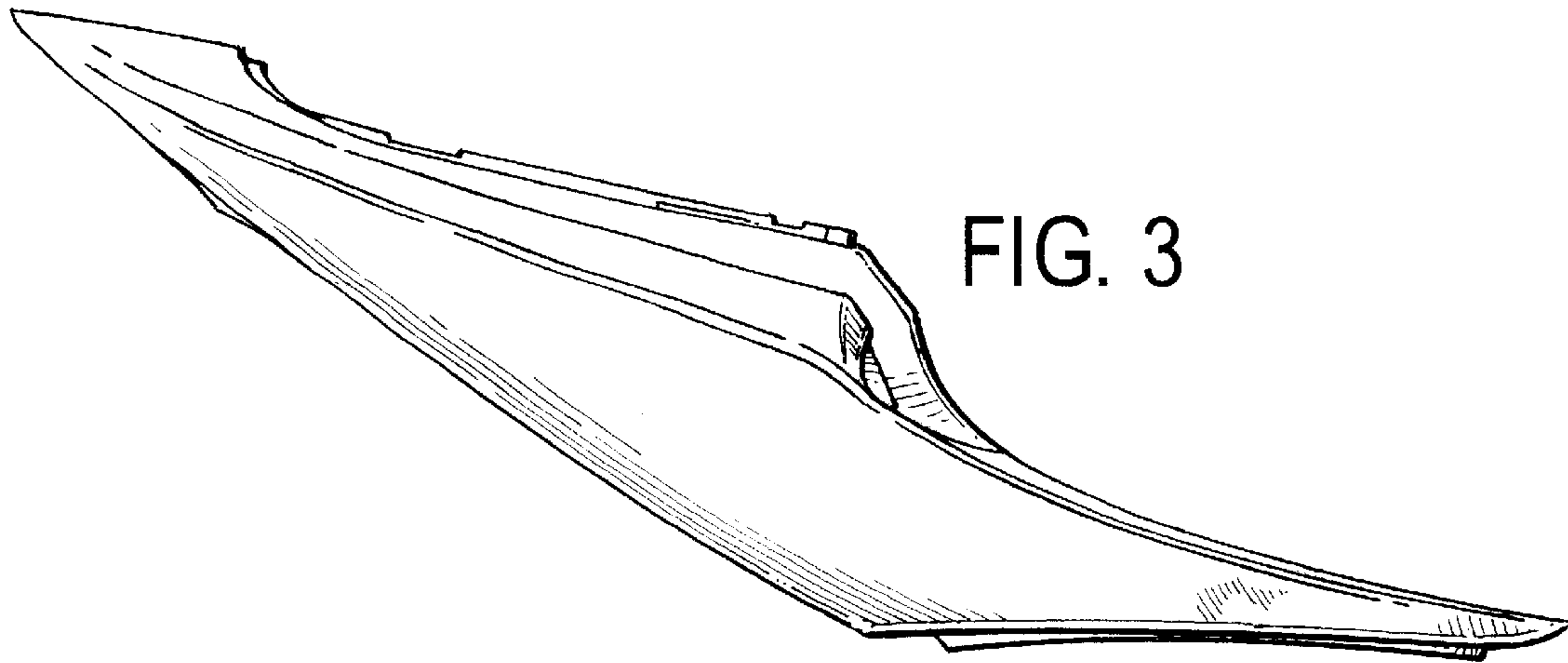


FIG. 3

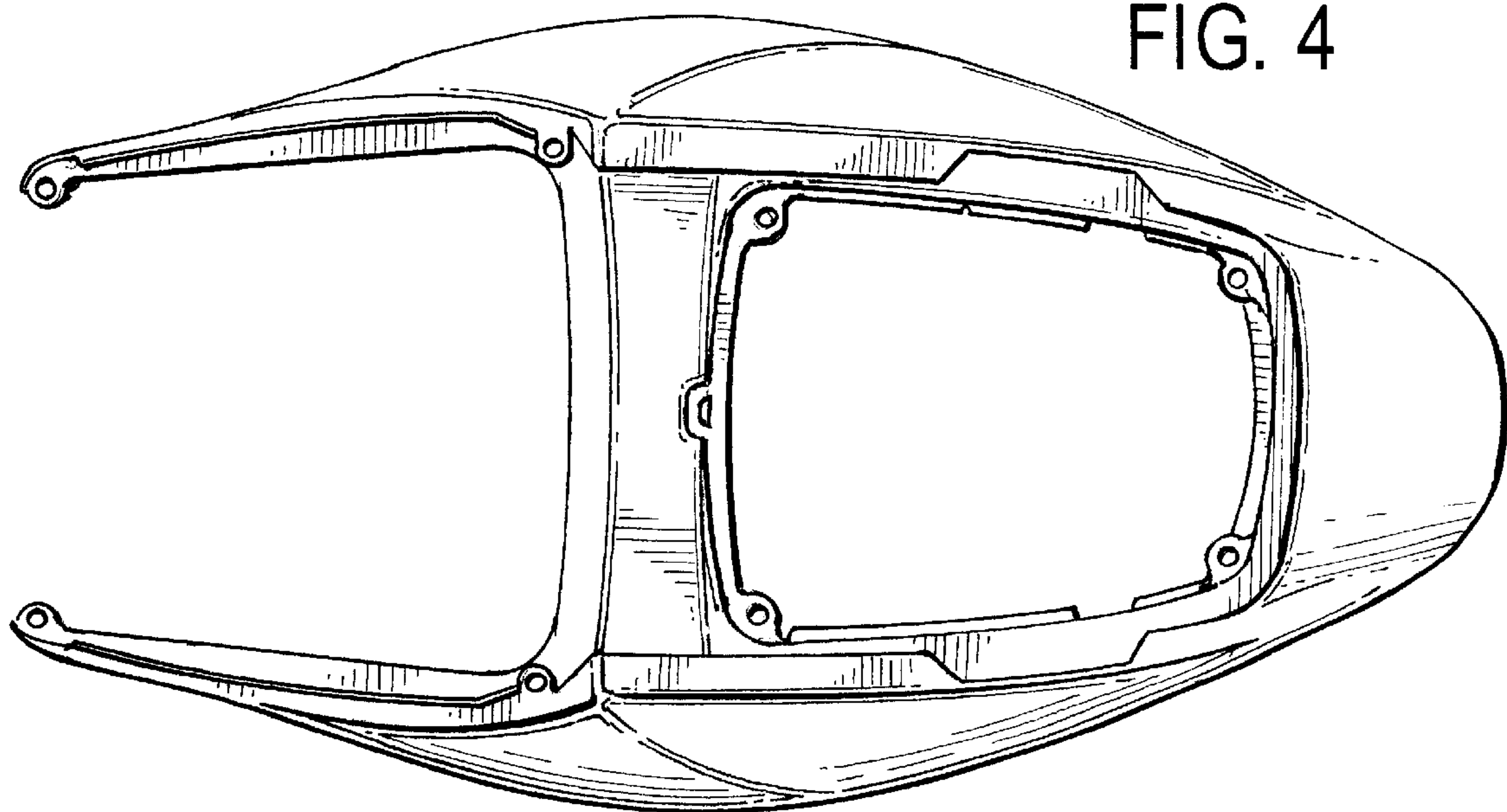


FIG. 4

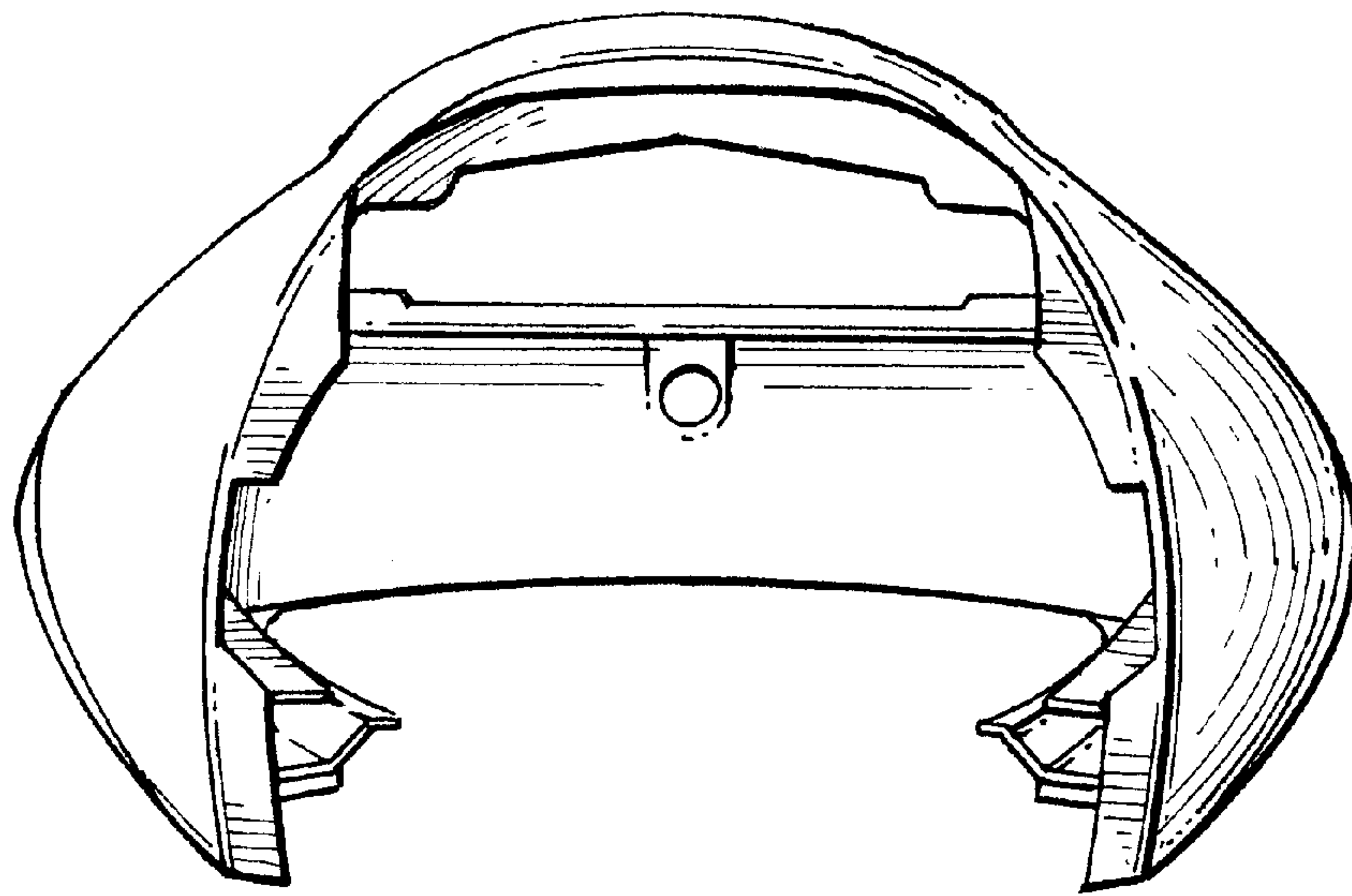
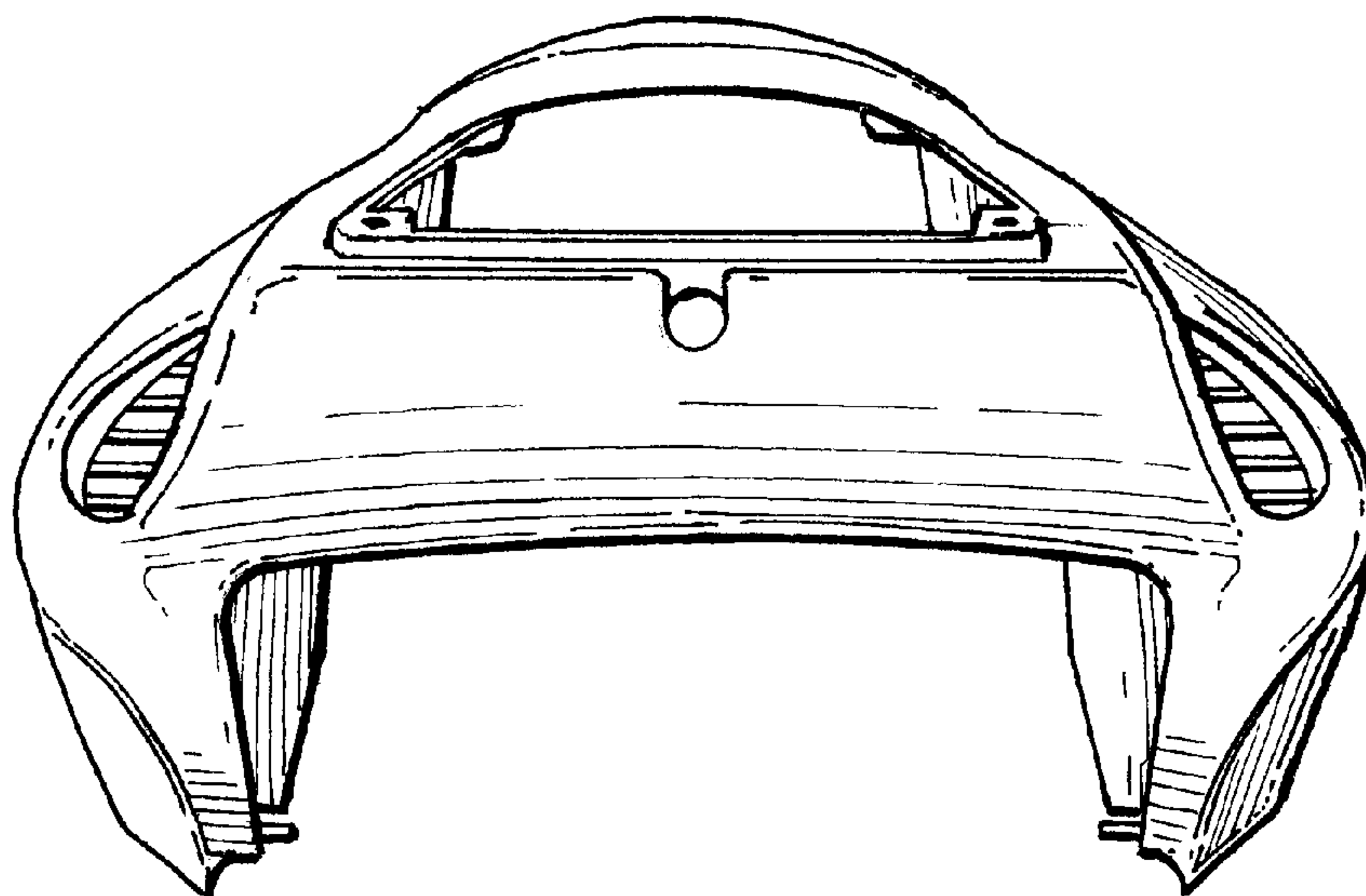


FIG. 5

FIG. 6





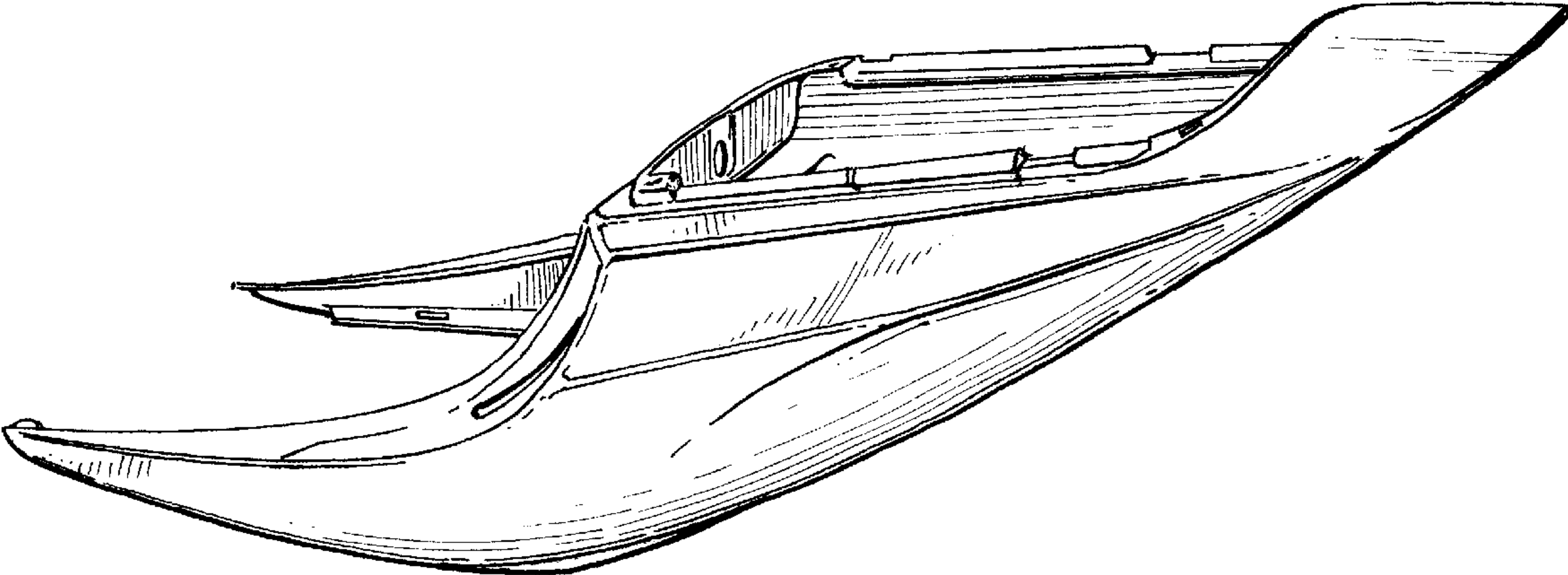


FIG. 7

FIG. 8

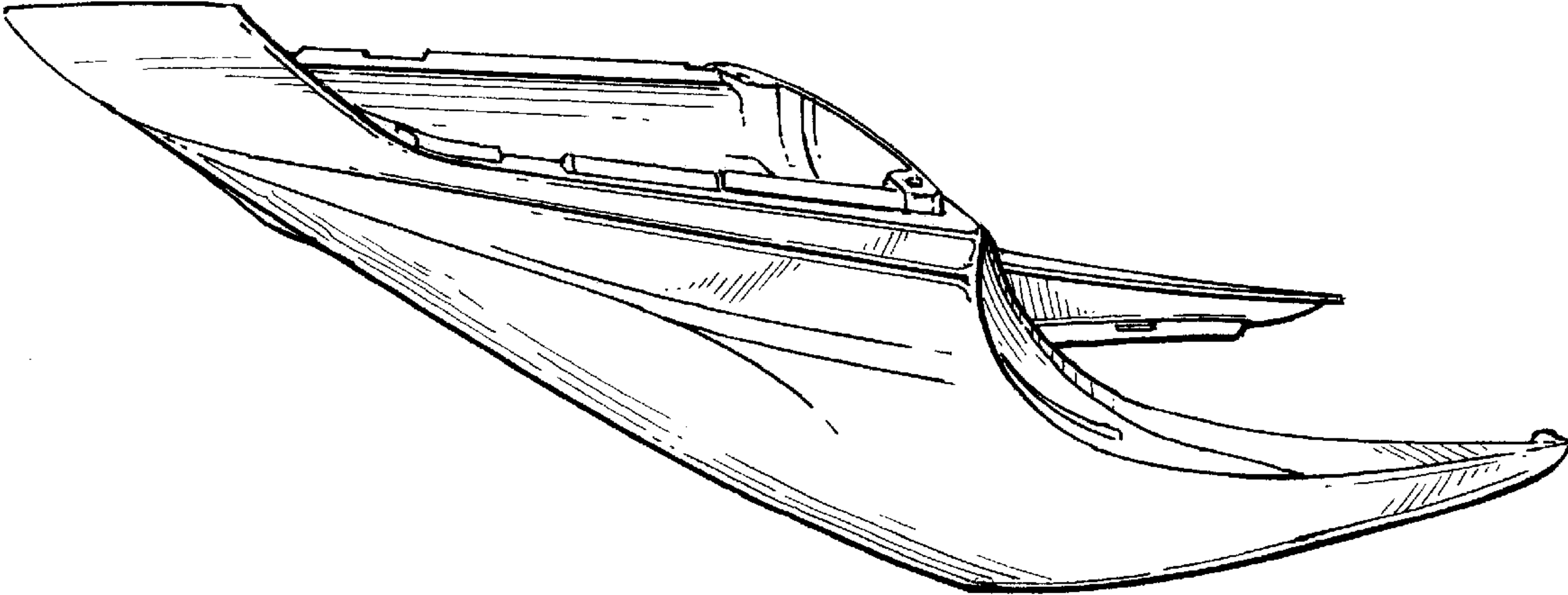


FIG. 9

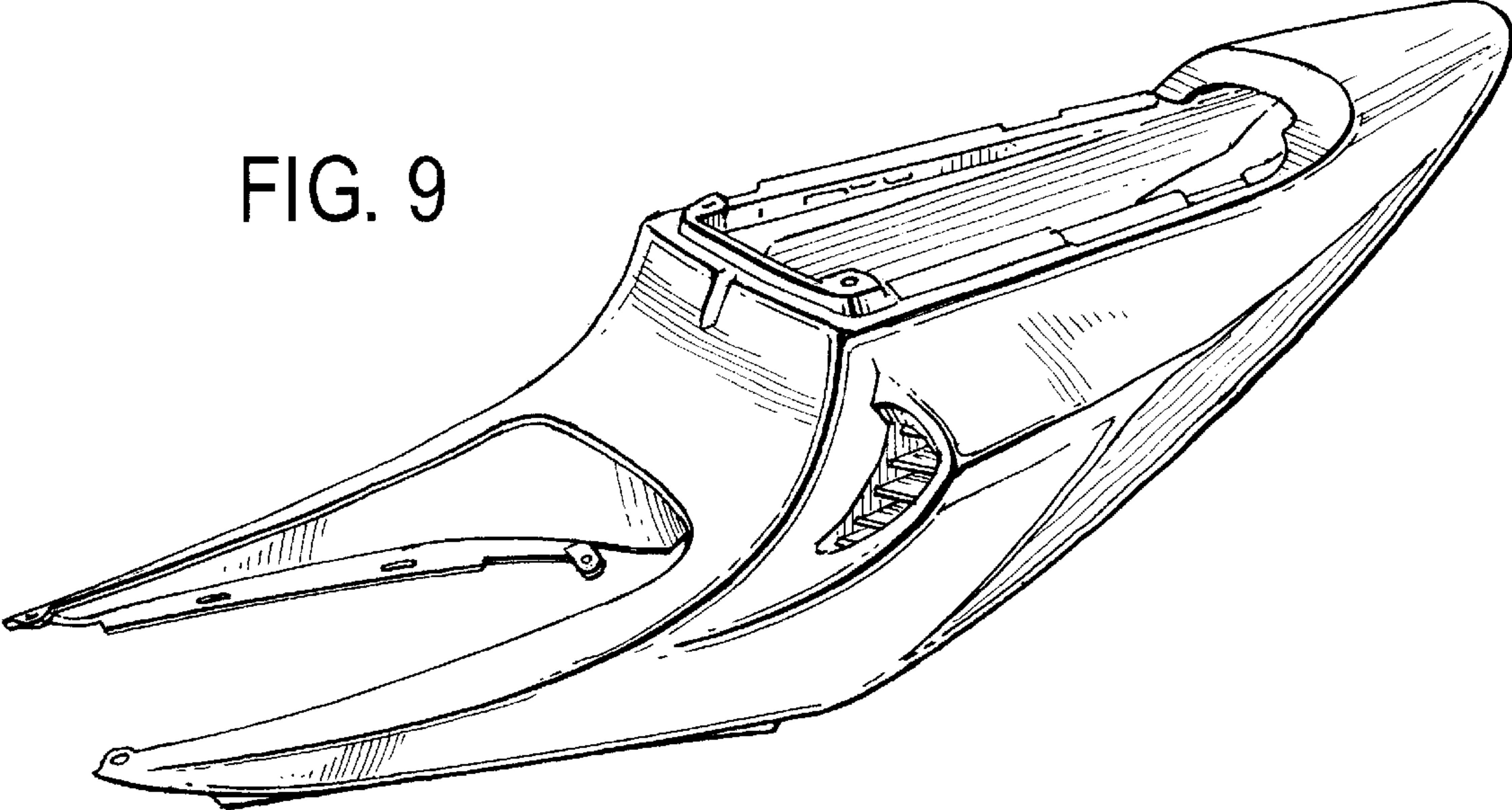


FIG. 10

