



US00D513720S

(12) **United States Design Patent**
Etzioni et al.

(10) **Patent No.:** **US D513,720 S**
(45) **Date of Patent:** **** Jan. 24, 2006**

(54) **VEHICLE**

D460,028 S * 7/2002 Wu et al. D12/131

(76) Inventors: **Yoel Etzioni**, Kibbutz Tzora 99803 (IL); **Aharon Nadler**, Kibbutz Tzora 99803 (IL); **Michael Glazman**, 241/21 Nofech Street, Jerusalem 93846 (IL)

* cited by examiner

Primary Examiner—Marcus A. Jackson
(74) *Attorney, Agent, or Firm*—Arent Fox Kintner Plotkin & Kahn⁷

(**) **Term:** **14 Years**

(57) **CLAIM**

(21) Appl. No.: **29/167,946**

The ornamental design for a vehicle, as shown and described.

(22) Filed: **Sep. 25, 2002**

DESCRIPTION

(30) **Foreign Application Priority Data**

Mar. 26, 2002 (IL) 36349

(51) **LOC (8) Cl.** **12-12**

(52) **U.S. Cl.** **D12/131**

(58) **Field of Classification Search** D12/128–133;
280/304.1, 250.1; 180/6.5, 65.1, 21, 907,
180/908, 326; 297/DIG. 4

See application file for complete search history.

FIG. 1 is a perspective view of an embodiment of our invention showing our new design in an opened configuration;
FIG. 2 is a left side view of the opened configuration;
FIG. 3 is a right side view of the opened configuration;
FIG. 4 is a front view of the opened configuration;
FIG. 5 is a back view of the opened configuration;
FIG. 6 is a top view of the opened configuration;
FIG. 7 is a bottom view of the opened configuration;
FIG. 8 is a perspective view of our invention in a closed or folded configuration;
FIG. 9 is a left side view of the closed configuration;
FIG. 10 is a right side view of the closed configuration;
FIG. 11 is a front view of the closed configuration;
FIG. 12 is a back view of the closed configuration;
FIG. 13 is a top view of the closed configuration; and,
FIG. 14 is a bottom view of the closed configuration.

(56) **References Cited**

U.S. PATENT DOCUMENTS

- 5,238,082 A * 8/1993 Stegeman et al. D12/131
- D387,018 S * 12/1997 Cook D12/131
- D396,834 S * 8/1998 Wu D12/131
- D401,190 S * 11/1998 Krause D12/131
- D403,279 S * 12/1998 Wu D12/131
- D409,121 S * 5/1999 Imai et al. D12/131
- D444,422 S * 7/2001 Cheng D12/131

1 Claim, 14 Drawing Sheets

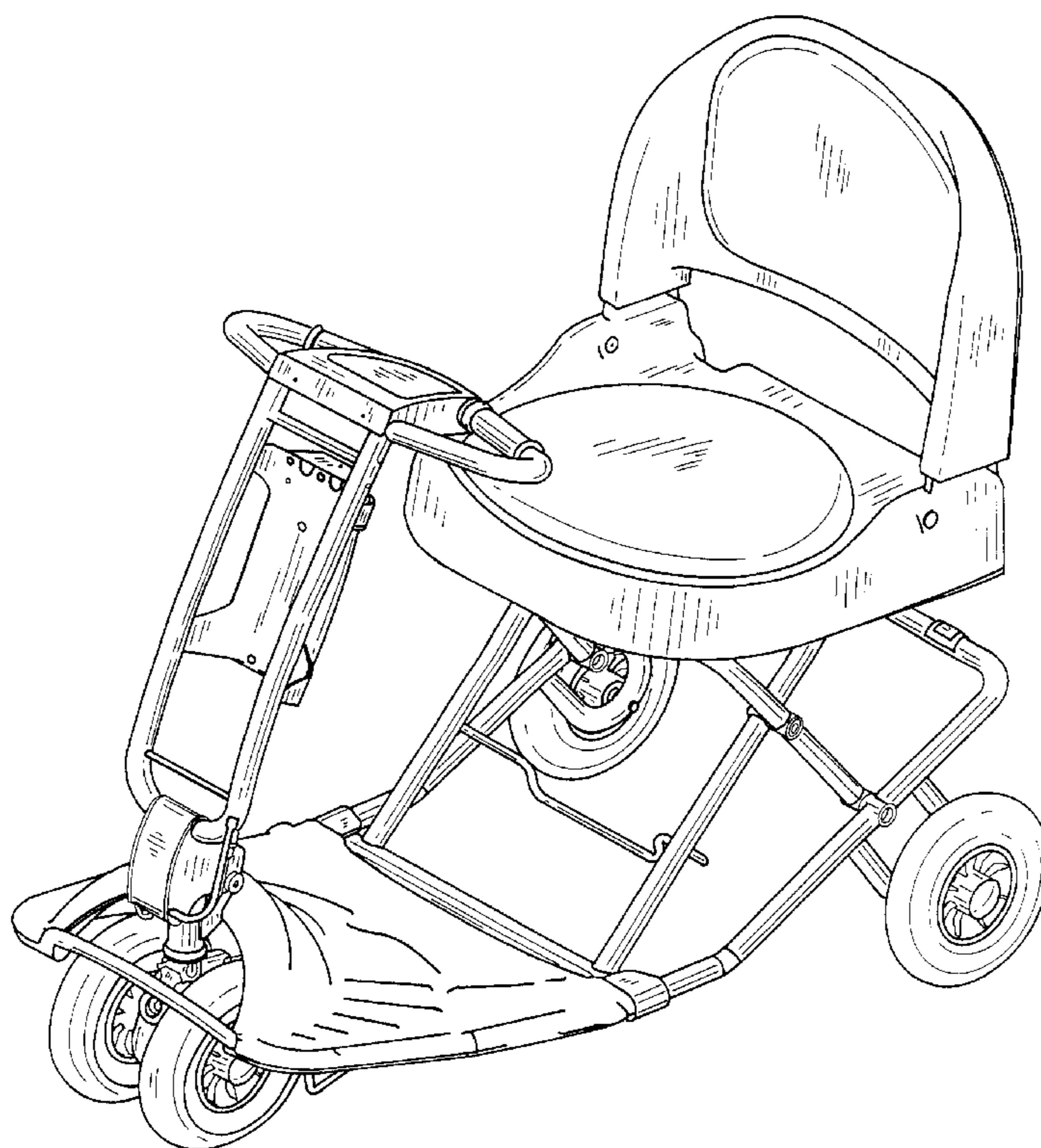
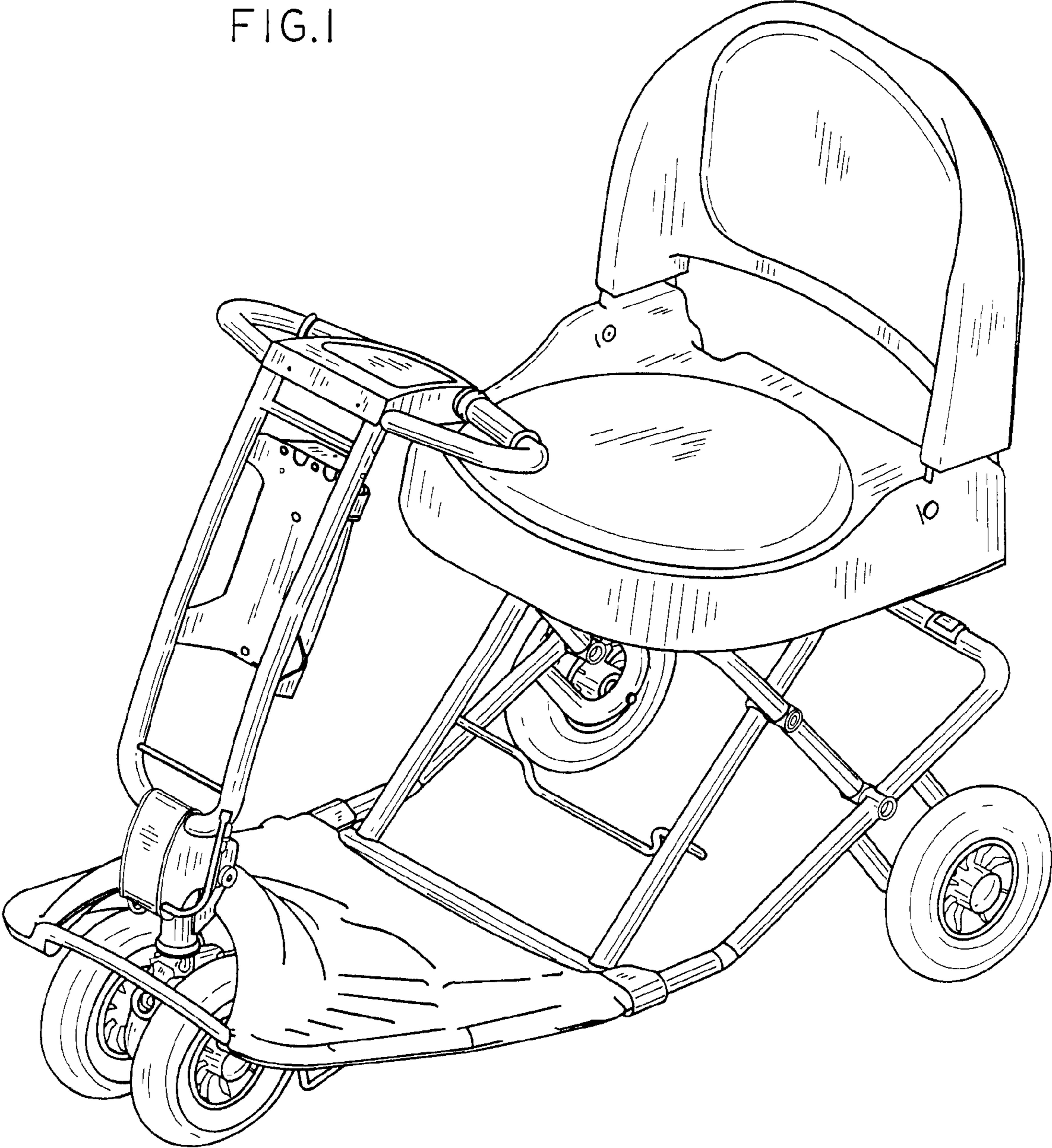


FIG. 1



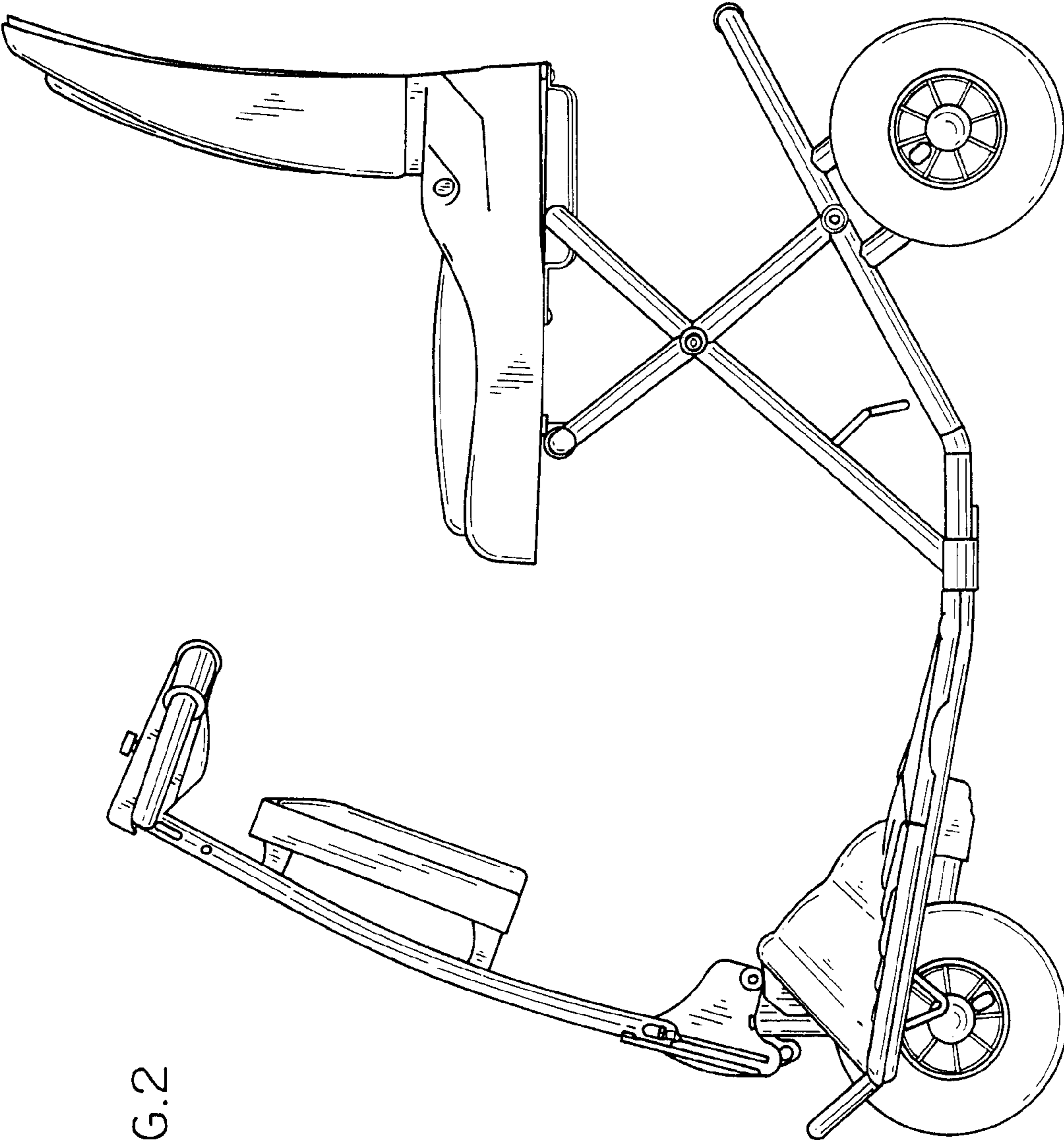


FIG.2

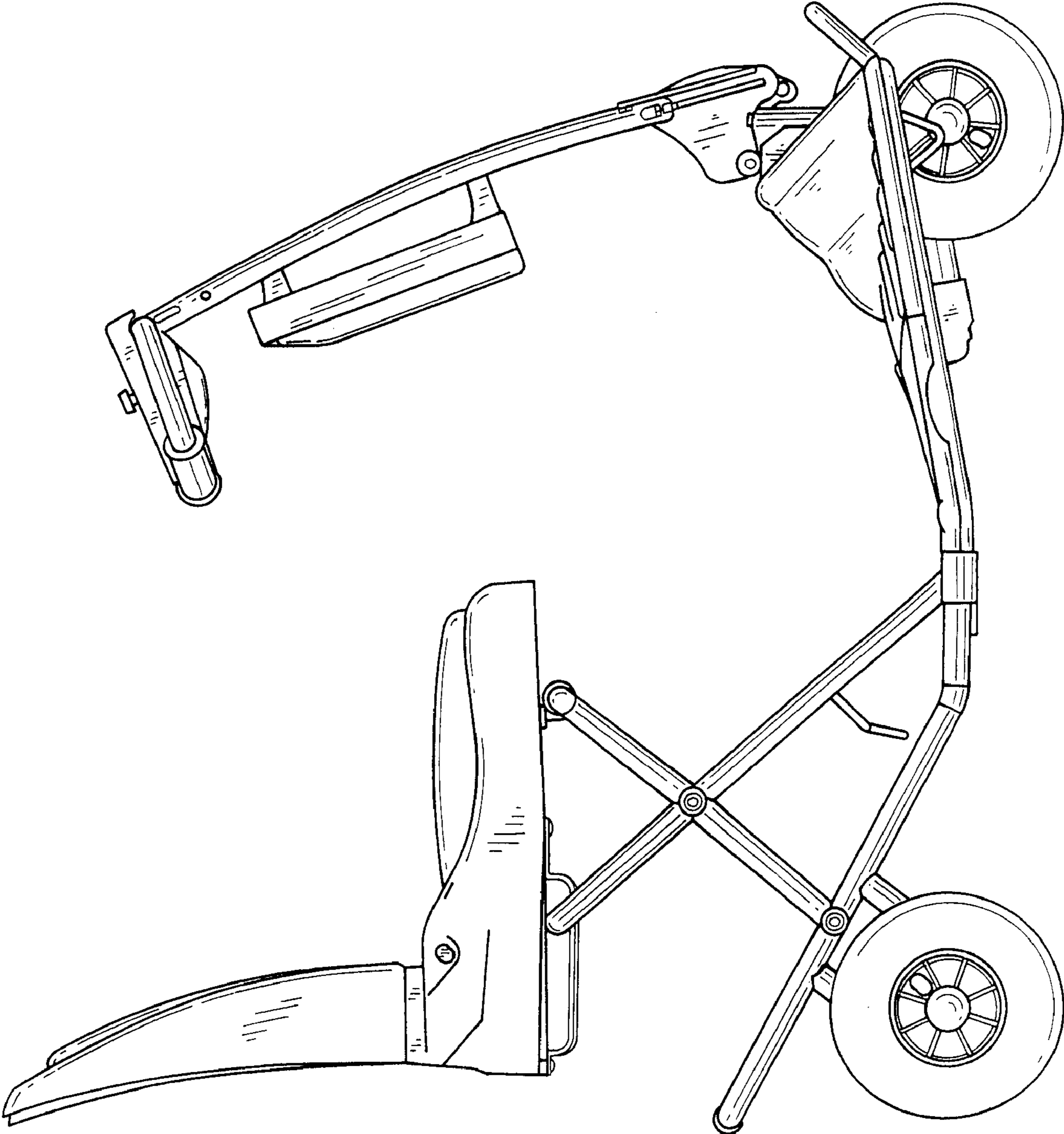


FIG.3

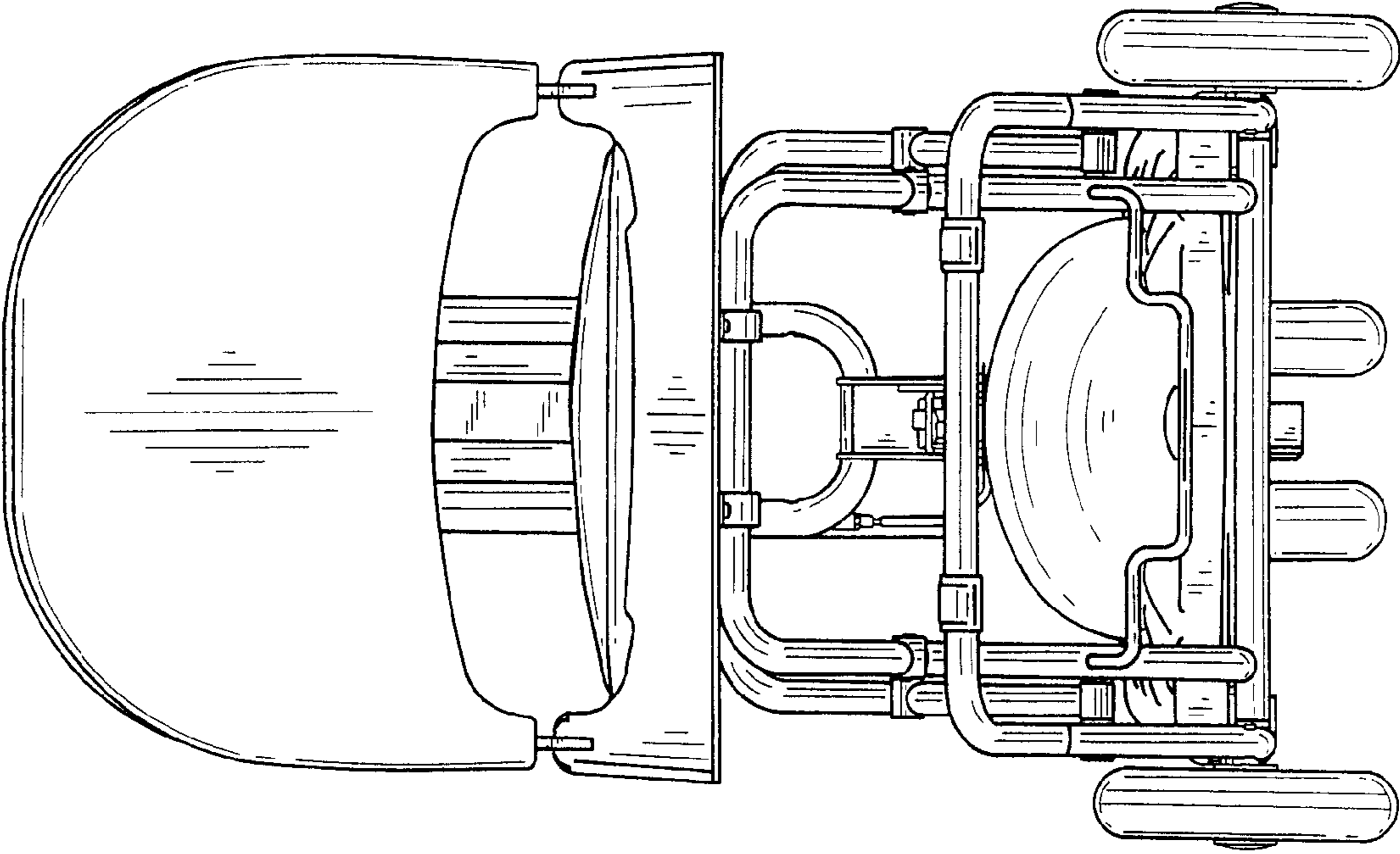


FIG.4

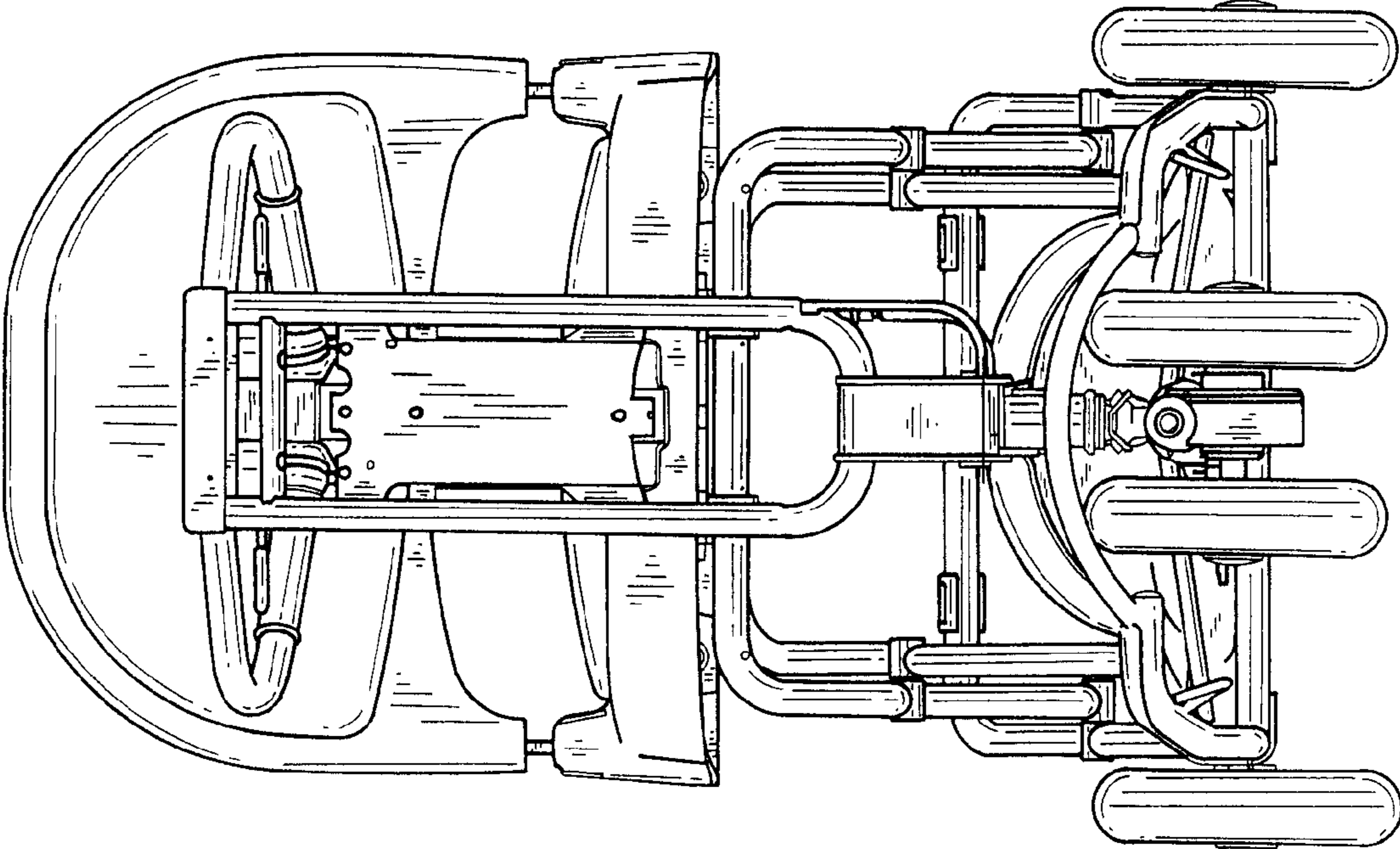


FIG.5

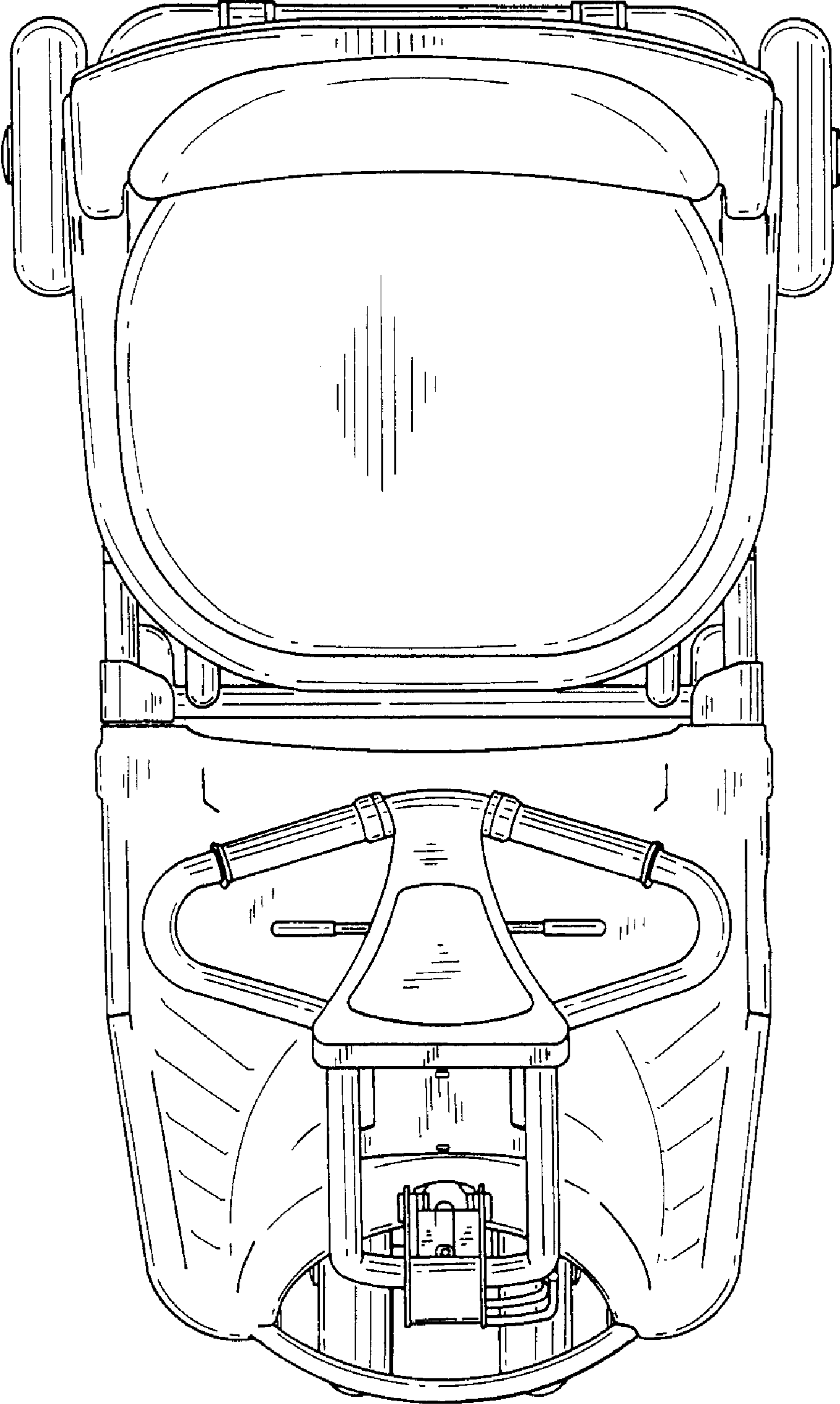


FIG.6

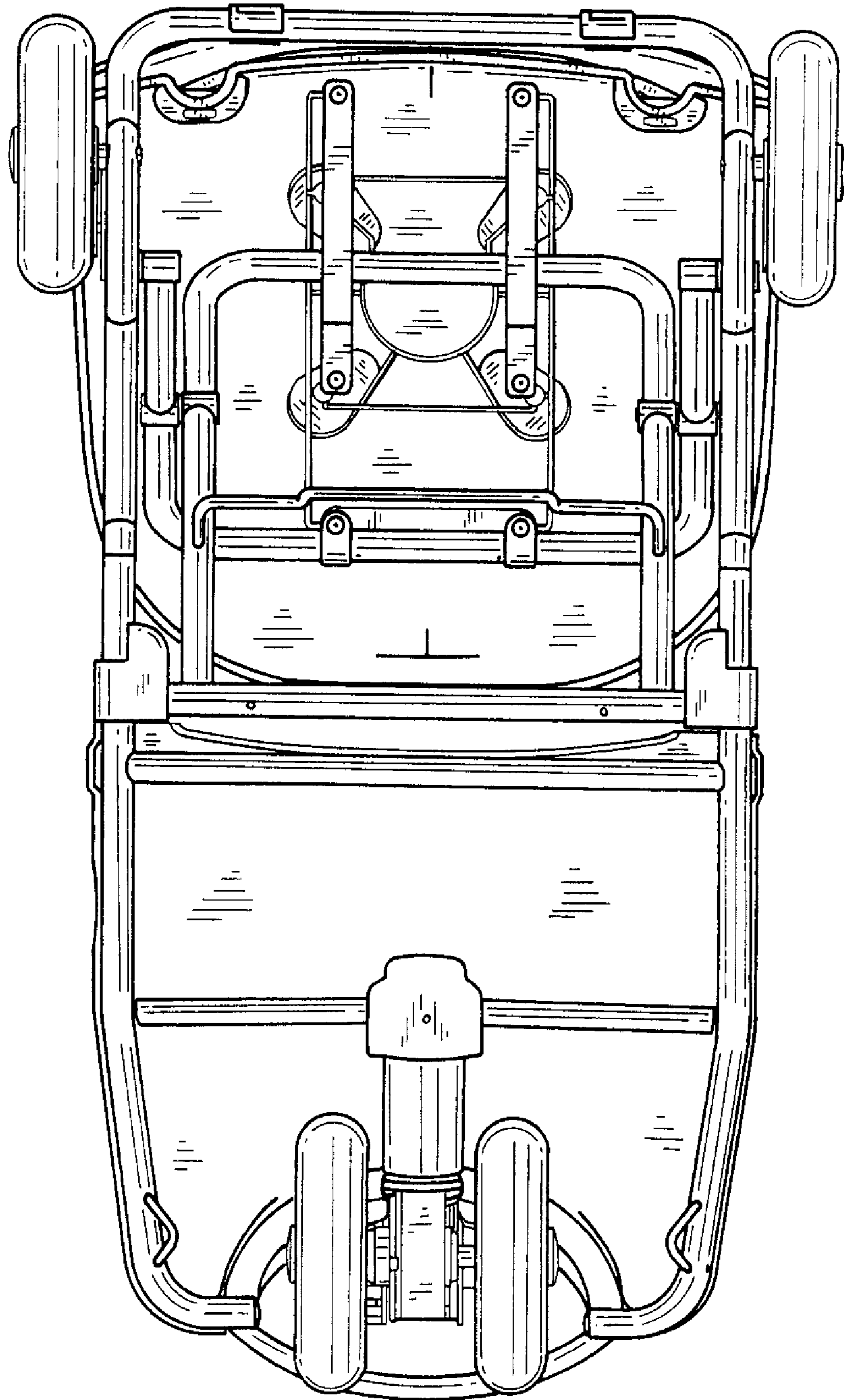
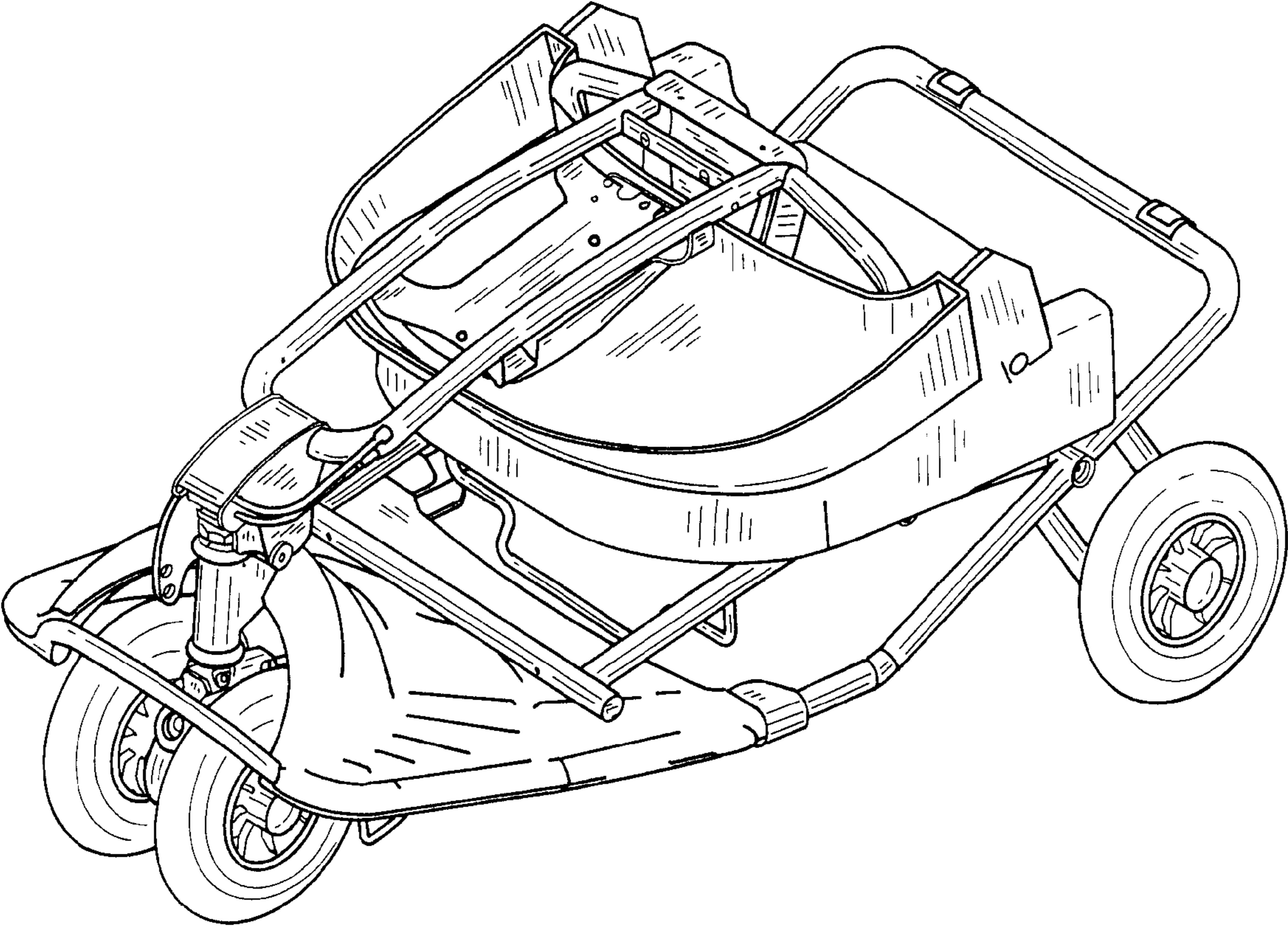


FIG. 7

FIG.8



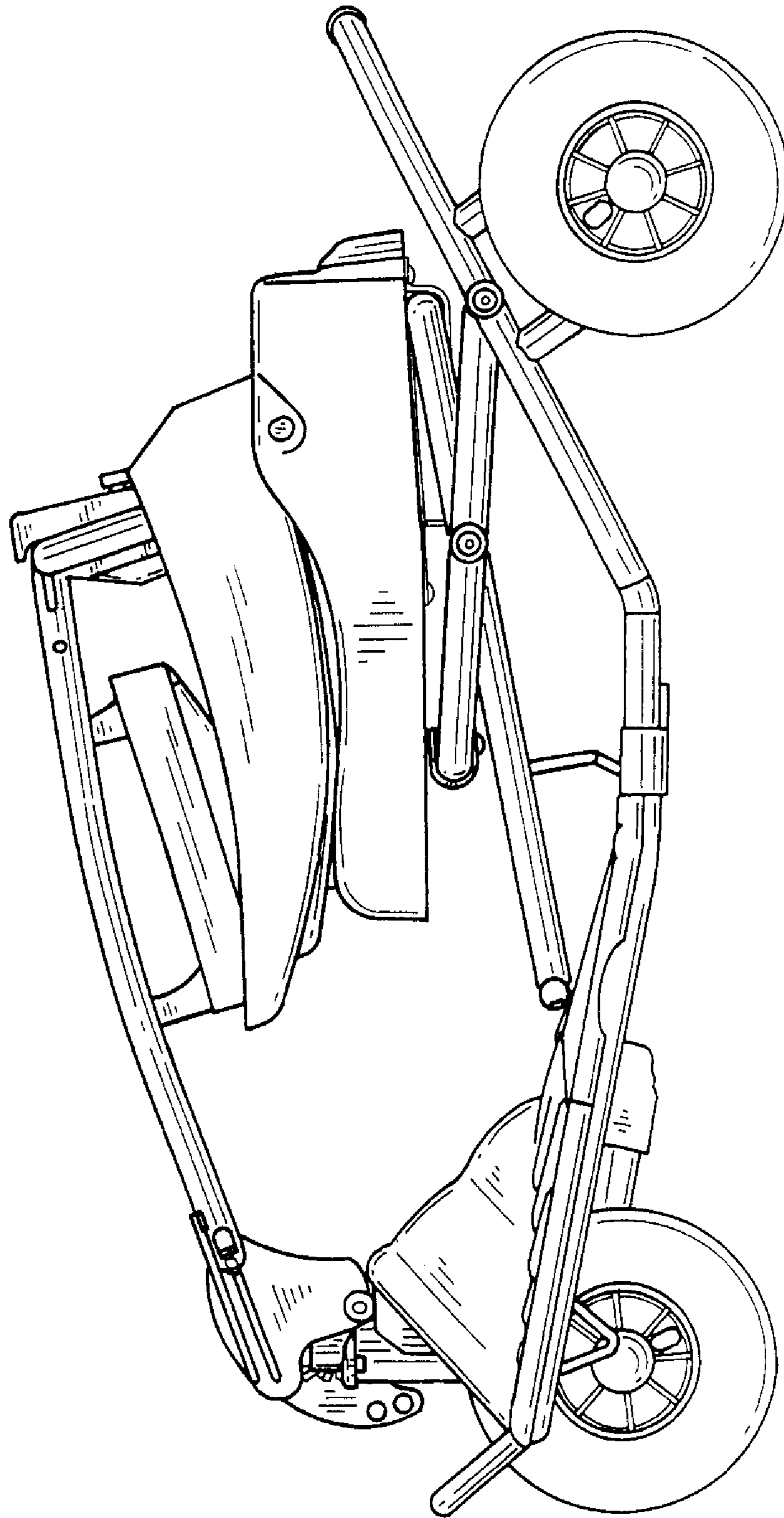


FIG. 9

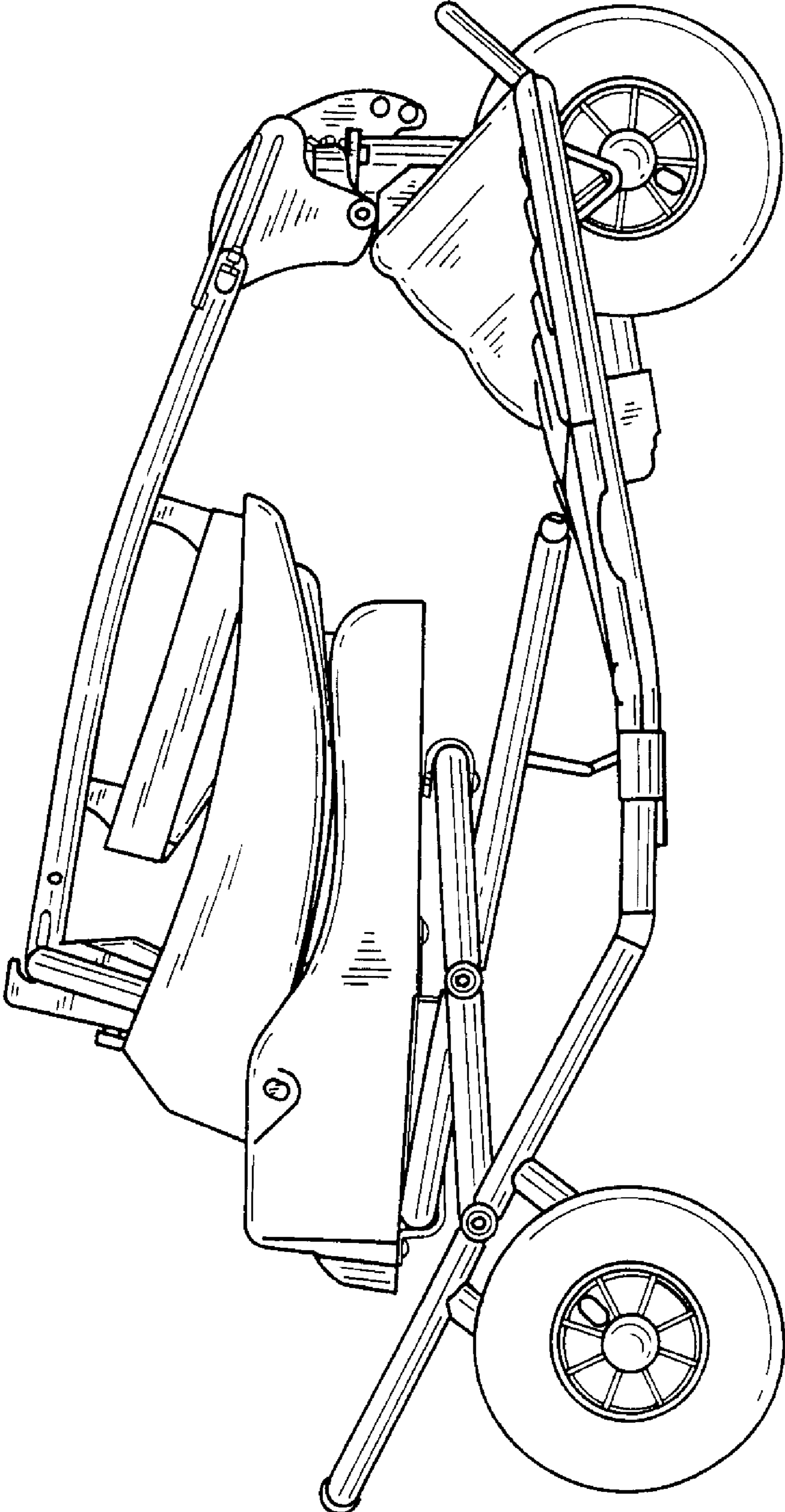


FIG. 10

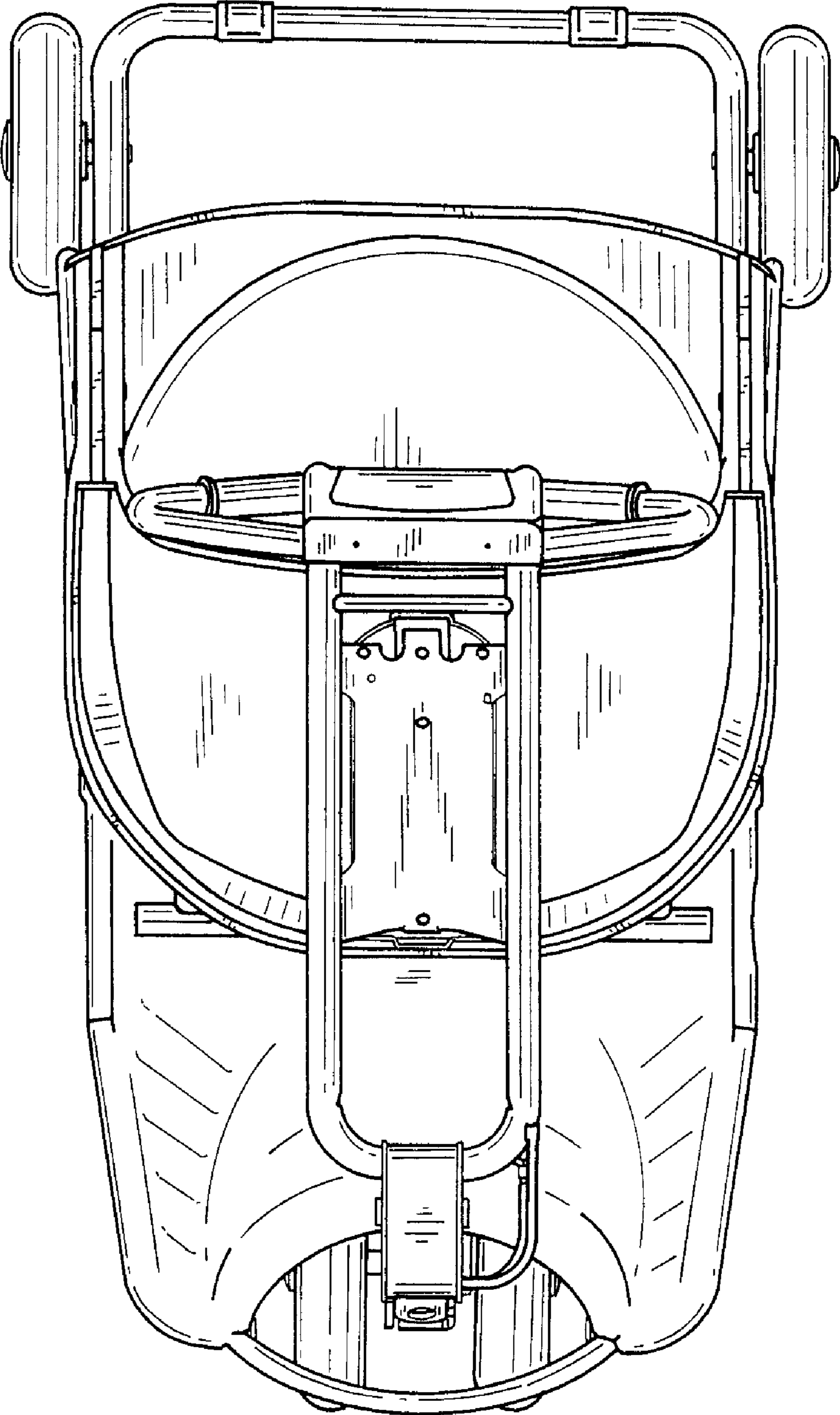


FIG.11

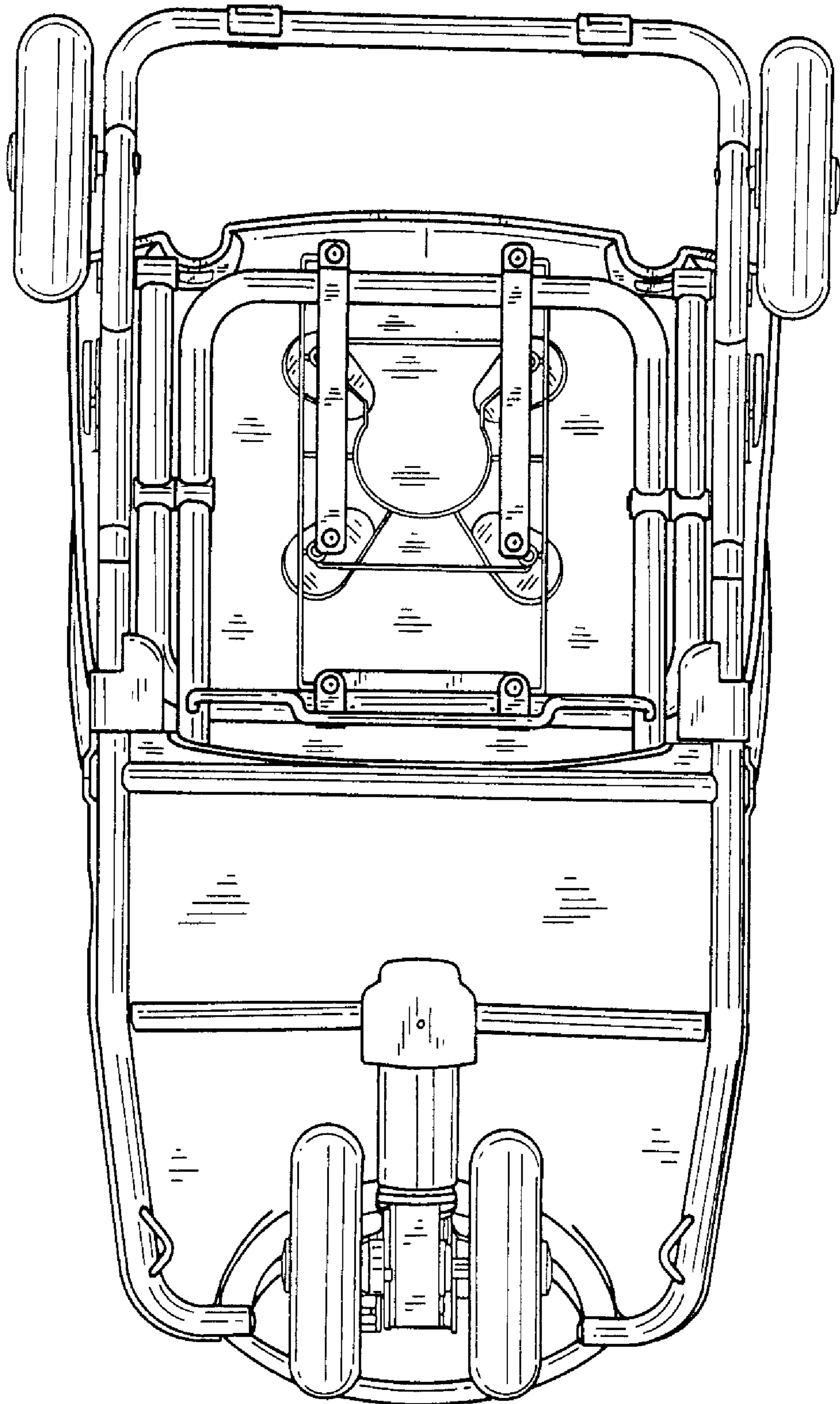


FIG.12

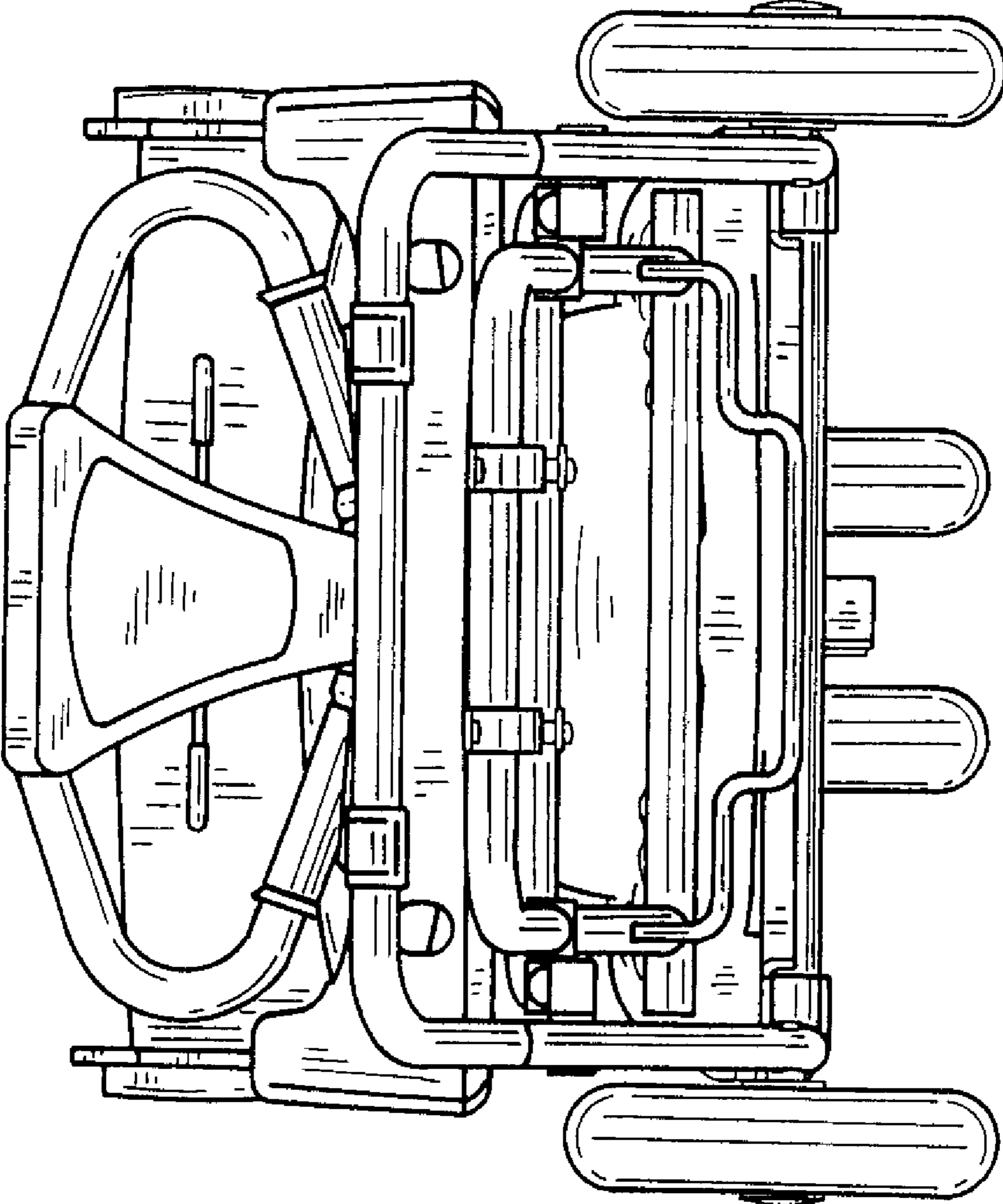


FIG.13

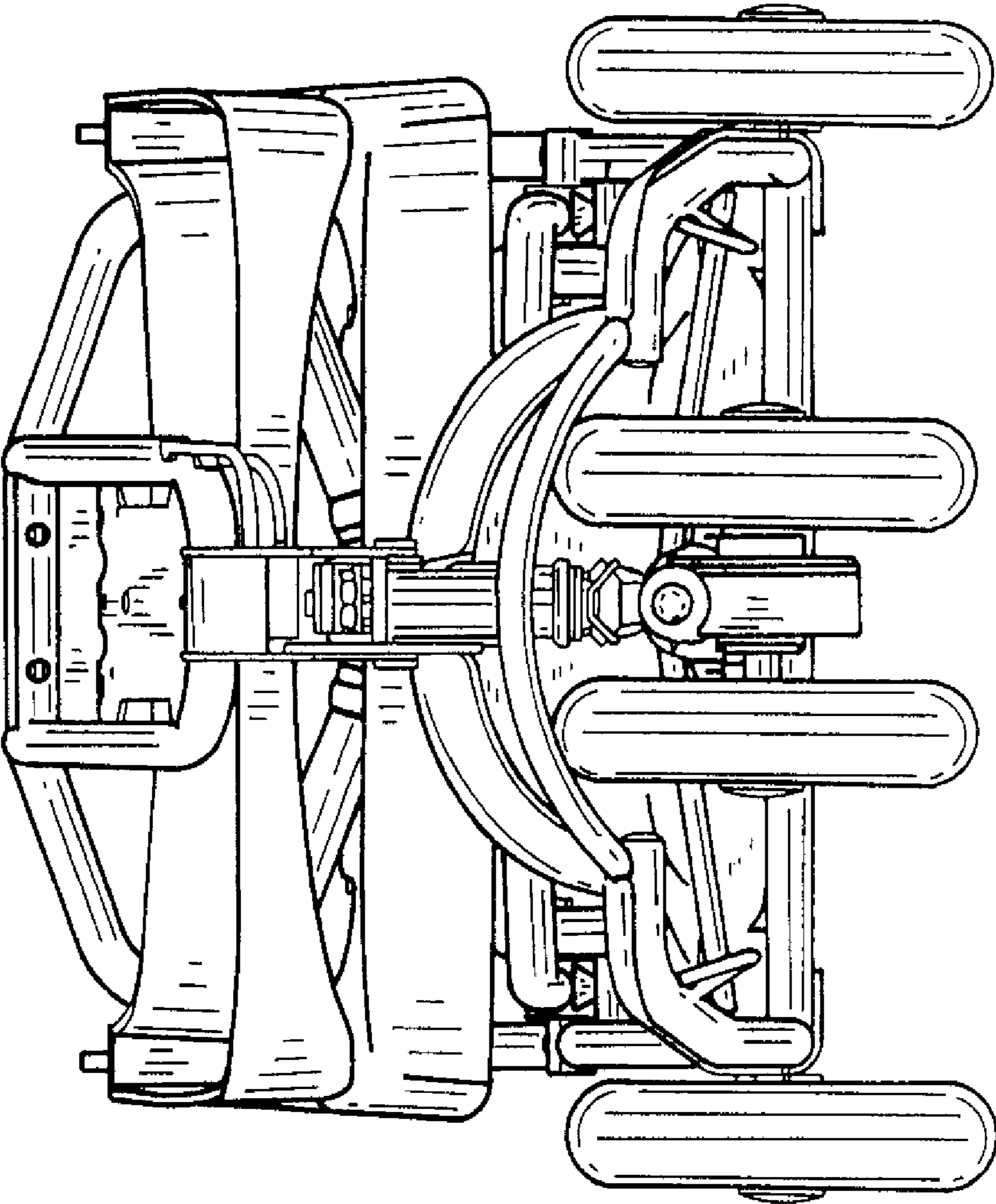


FIG.14